



US00D825014S

(12) **United States Design Patent**
Giang

(10) **Patent No.:** **US D825,014 S**

(45) **Date of Patent:** **** Aug. 7, 2018**

- (54) **SKATEBOARD**
- (71) Applicant: **e-Xperience GmbH**, Flawil (CH)
- (72) Inventor: **Tu Van Giang**, Zurich (CH)
- (73) Assignee: **E-Xperience GmbH**, Flawil (CH)

D692,079	S	*	10/2013	Mackay	D21/765
D709,154	S	*	7/2014	Brotherson	D21/765
D723,642	S	*	3/2015	Fissell	D21/765
D728,048	S	*	4/2015	Stover	D21/765
D745,617	S	*	12/2015	Jensen	D21/765
9,675,868	B2	*	6/2017	Willis	A63C 17/017

* cited by examiner

- (**) Term: **15 Years**
- (21) Appl. No.: **29/586,876**
- (22) Filed: **Dec. 7, 2016**

Primary Examiner — Manpreet Matharu

Assistant Examiner — Keith Wilson

(74) *Attorney, Agent, or Firm* — Muncy, Geissler, Olds & Lowe, P.C.

(30) **Foreign Application Priority Data**

Jun. 8, 2016 (WO) DM/093 118

(51) **LOC (11) Cl.** **21-02**

(52) **U.S. Cl.**
USPC **D21/765**

(58) **Field of Classification Search**
 USPC D21/419, 421, 423, 426, 662, 760, 765,
 D21/766, 769, 771, 776, 803; D12/1;
 280/7.14, 11.115, 11.19, 11.27, 87.042,
 280/610; 434/247, 253, 258; D34/23,
 D34/28; 180/181
 CPC A63C 17/01; A63C 17/011; A63C 17/012;
 A63C 17/014; A63C 17/015; A63C
 17/02; A63C 17/26; A63C 5/003; B60Q
 1/326; B62K 3/001
 See application file for complete search history.

(56) **References Cited**

U.S. PATENT DOCUMENTS

- 4,337,963 A * 7/1982 Stevenson A63C 17/017
280/610
- D444,185 S * 6/2001 Stewart D21/423

(57) **CLAIM**

The ornamental design for a skateboard, as shown and described.

DESCRIPTION

FIG. 1 is a front perspective view of a skateboard according to the present invention.

FIG. 2 is a rear perspective view of the skateboard of FIG. 1.

FIG. 3 is a top view of the skateboard of FIG. 1.

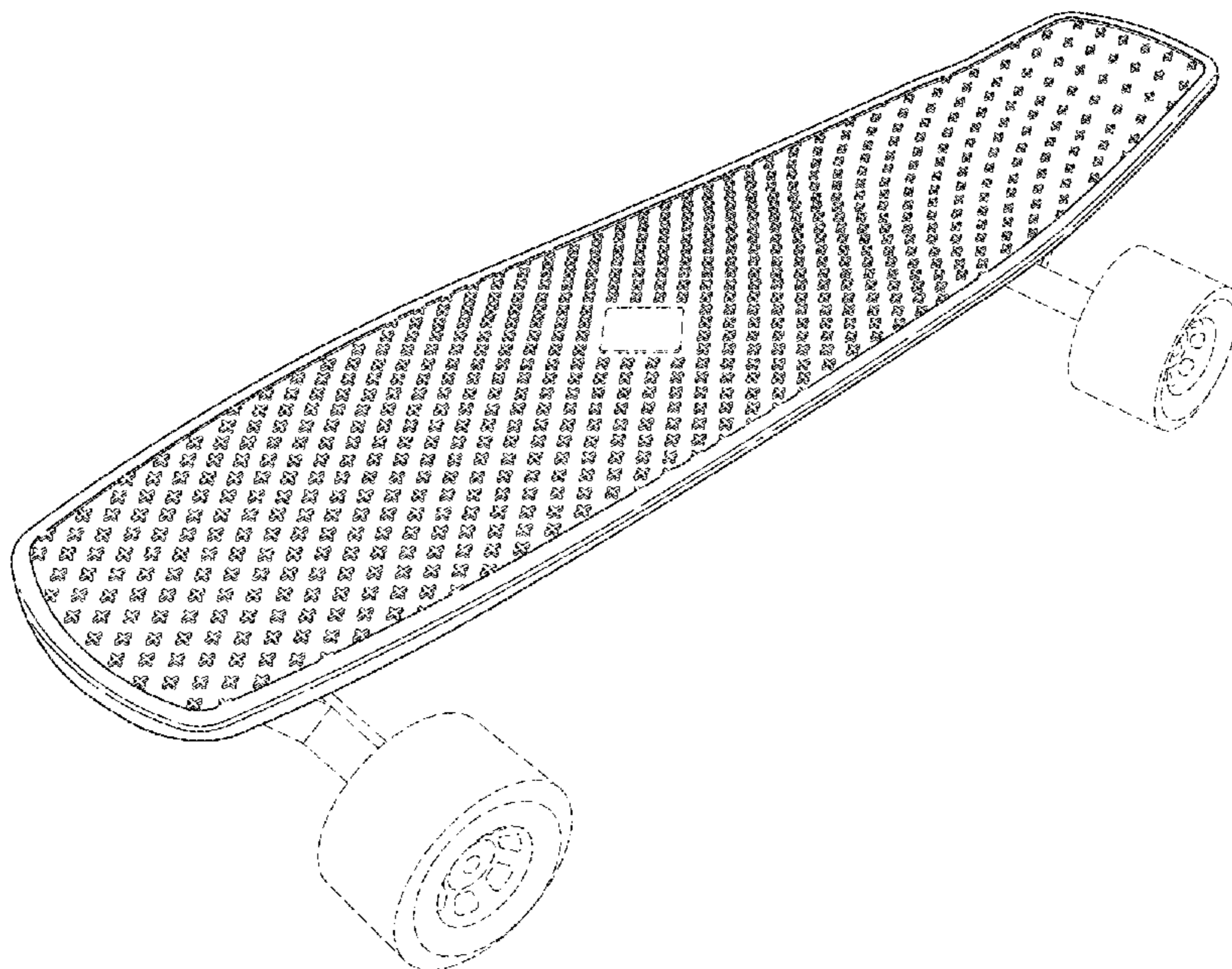
FIG. 4 is a right side view of the skateboard of FIG. 1.

FIG. 5 is a front view of the skateboard of FIG. 1; and,

FIG. 6 is a bottom view of the skateboard of FIG. 1.

The broken lines in the drawings represent environment only and form no part of the claimed design.

1 Claim, 6 Drawing Sheets



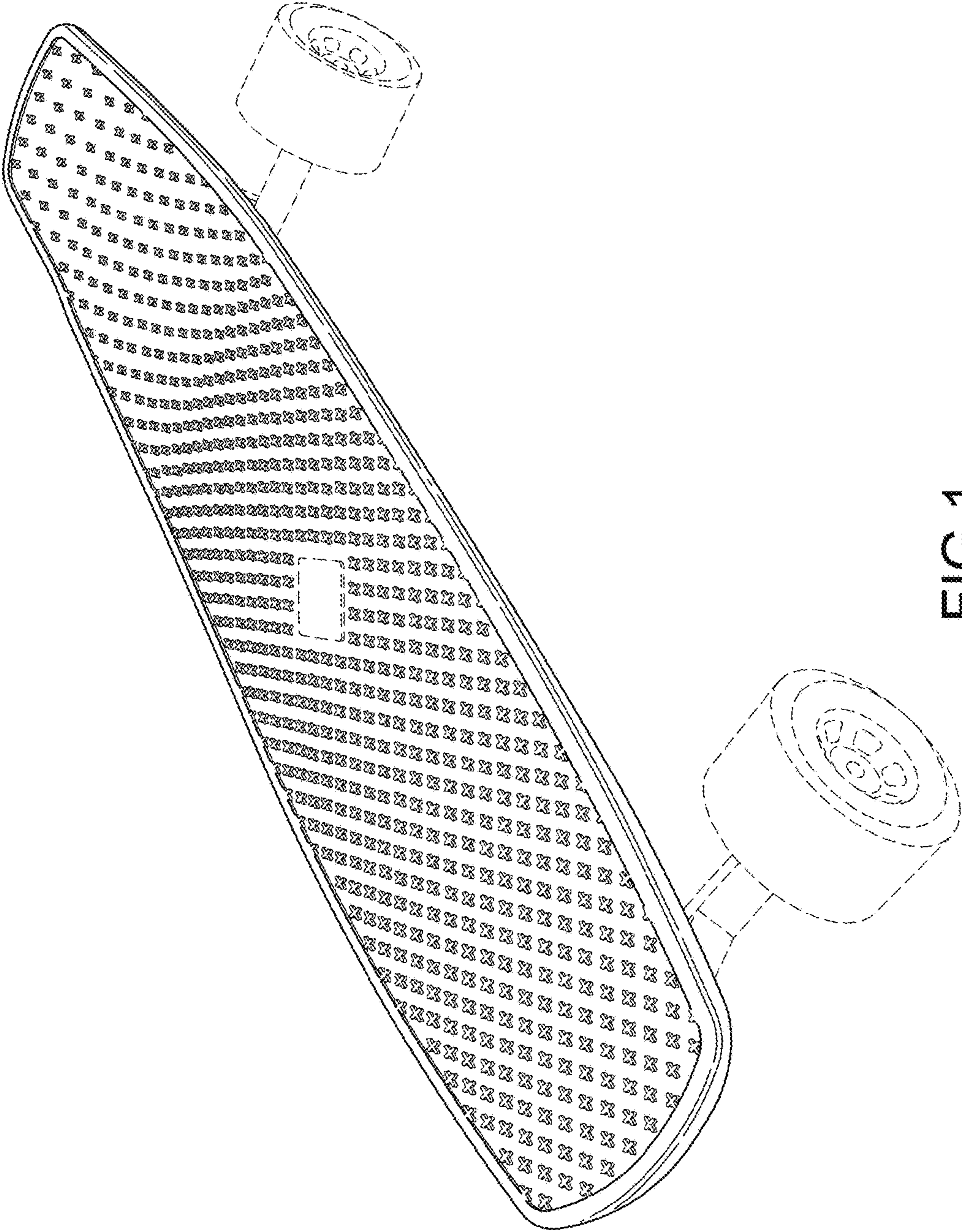


FIG.1

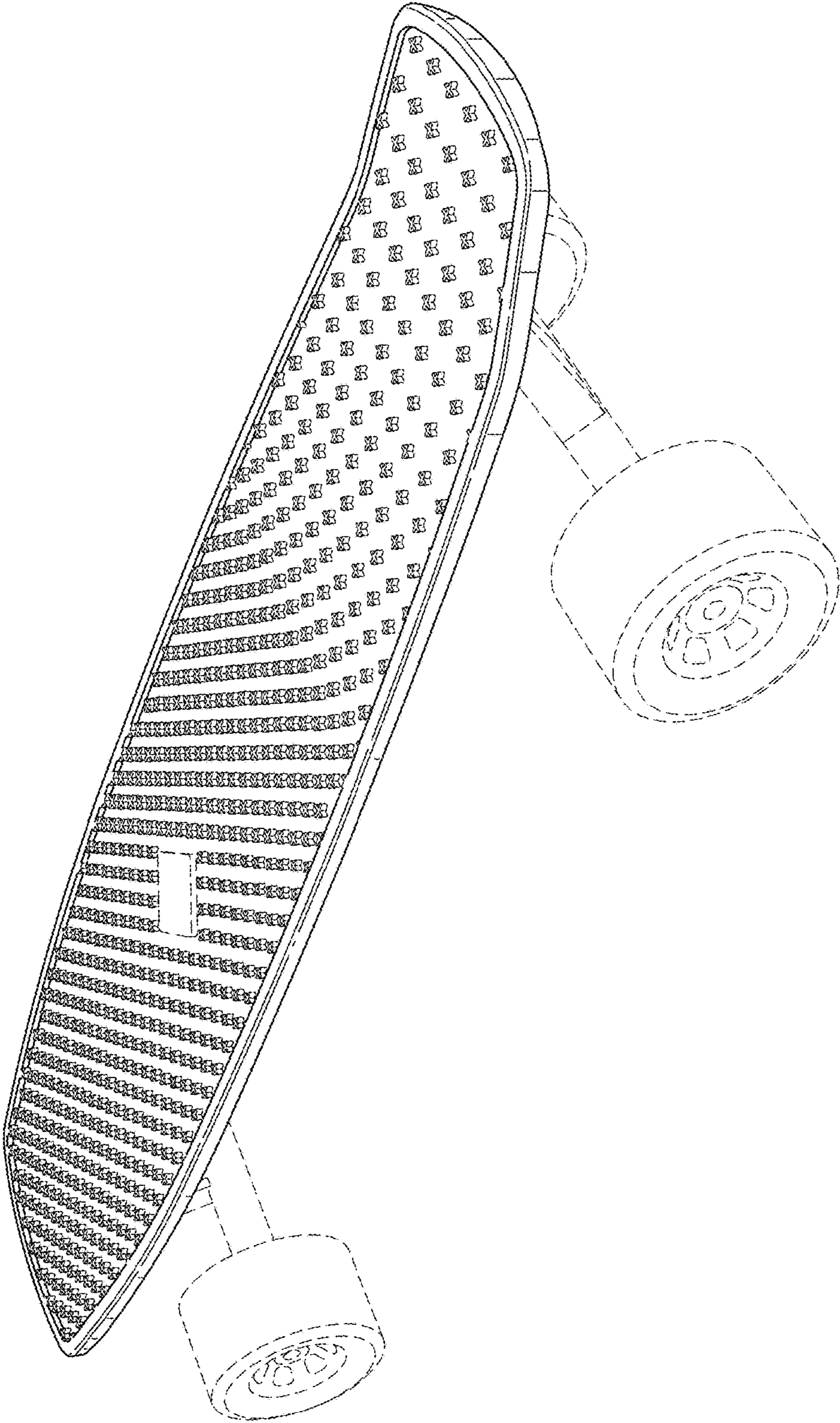


FIG.2

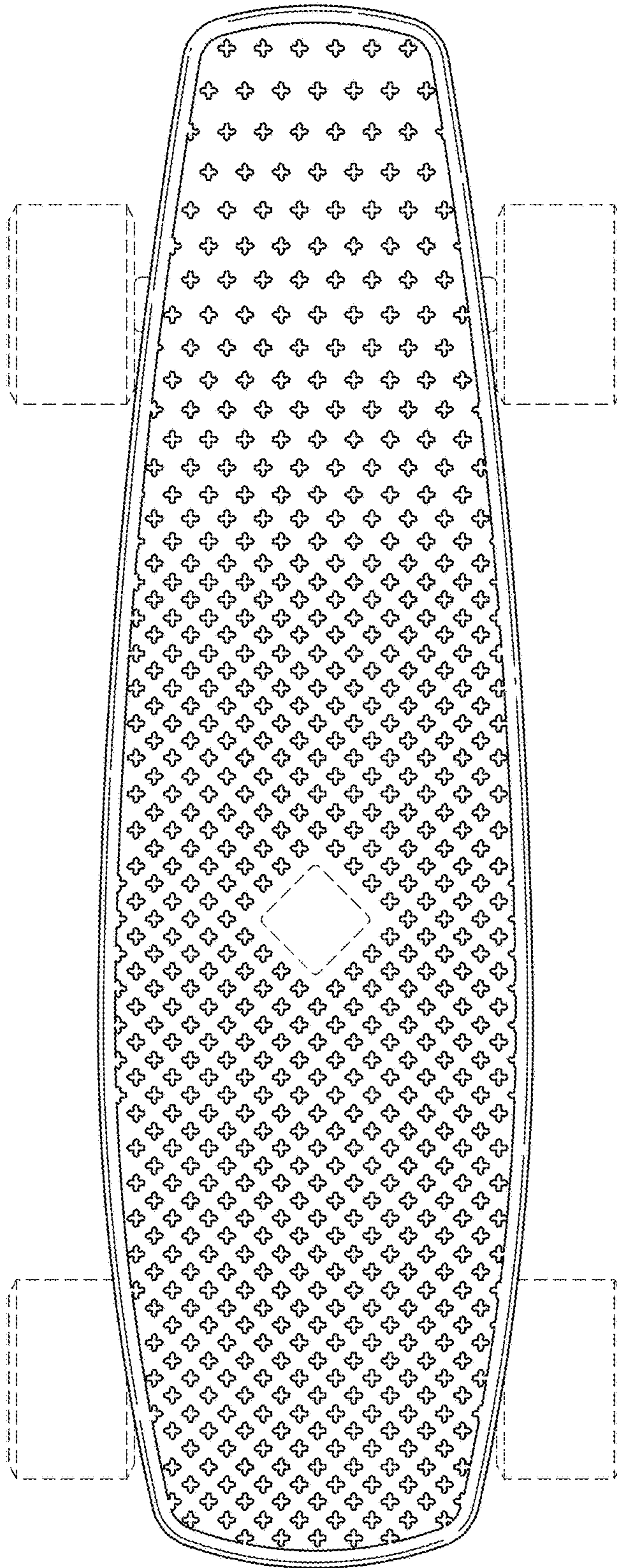


FIG.3

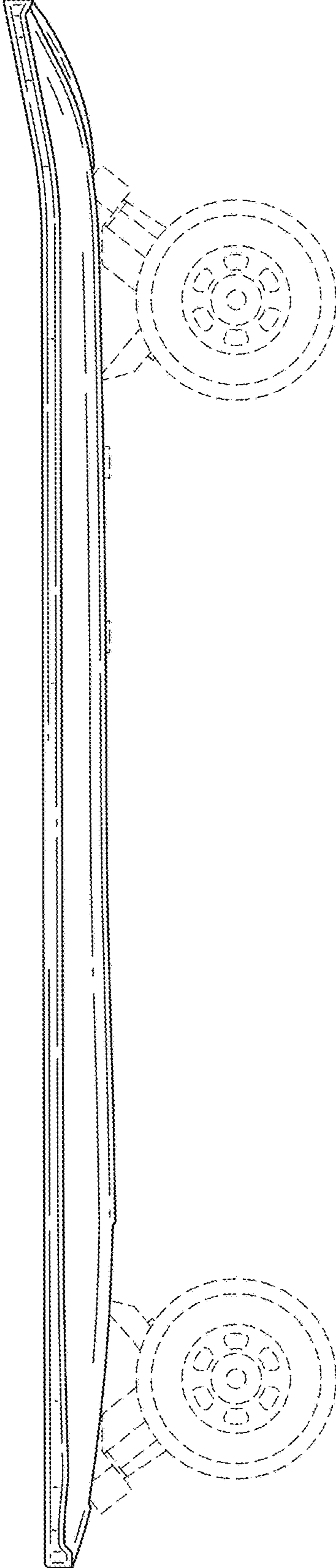


FIG.4

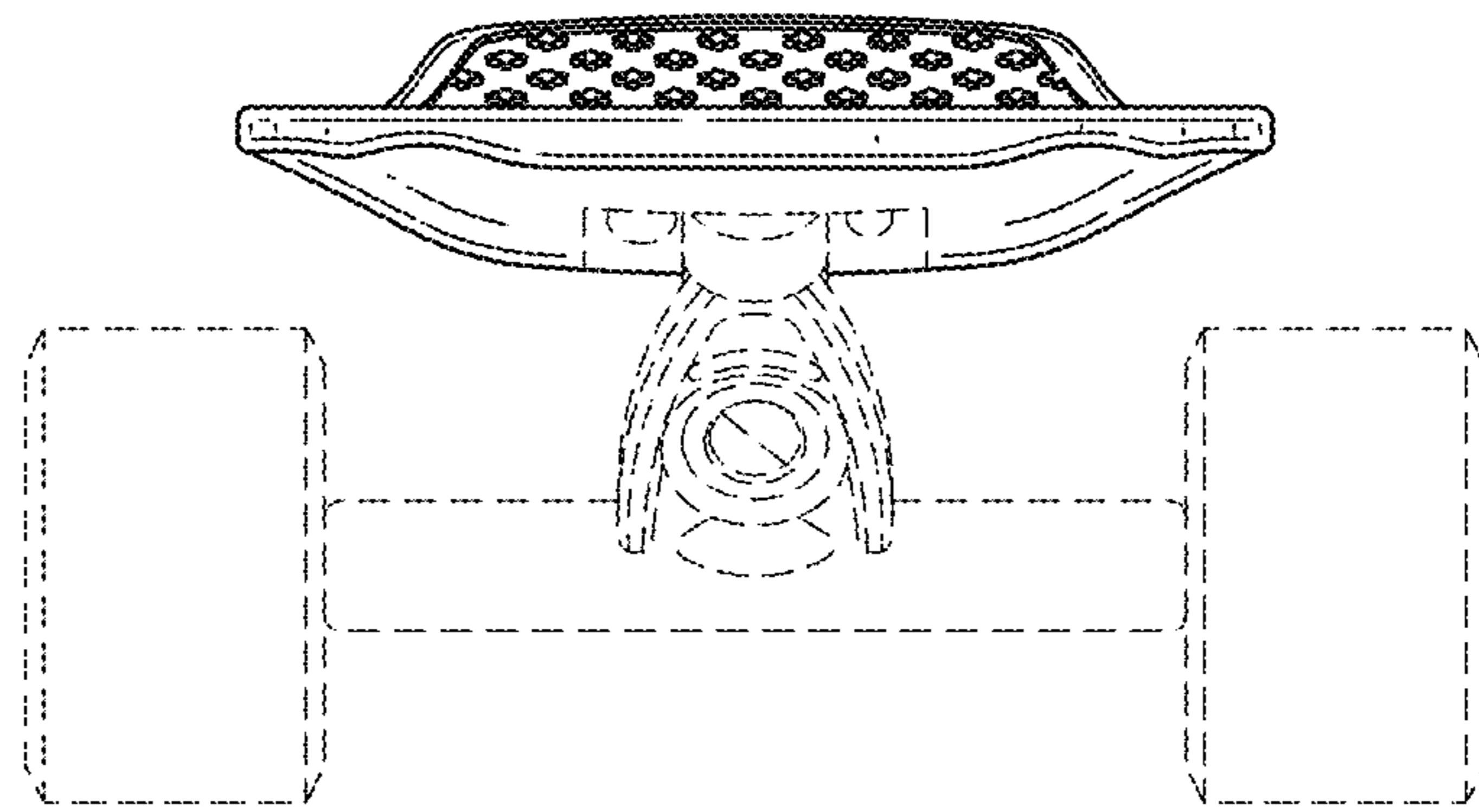


FIG.5

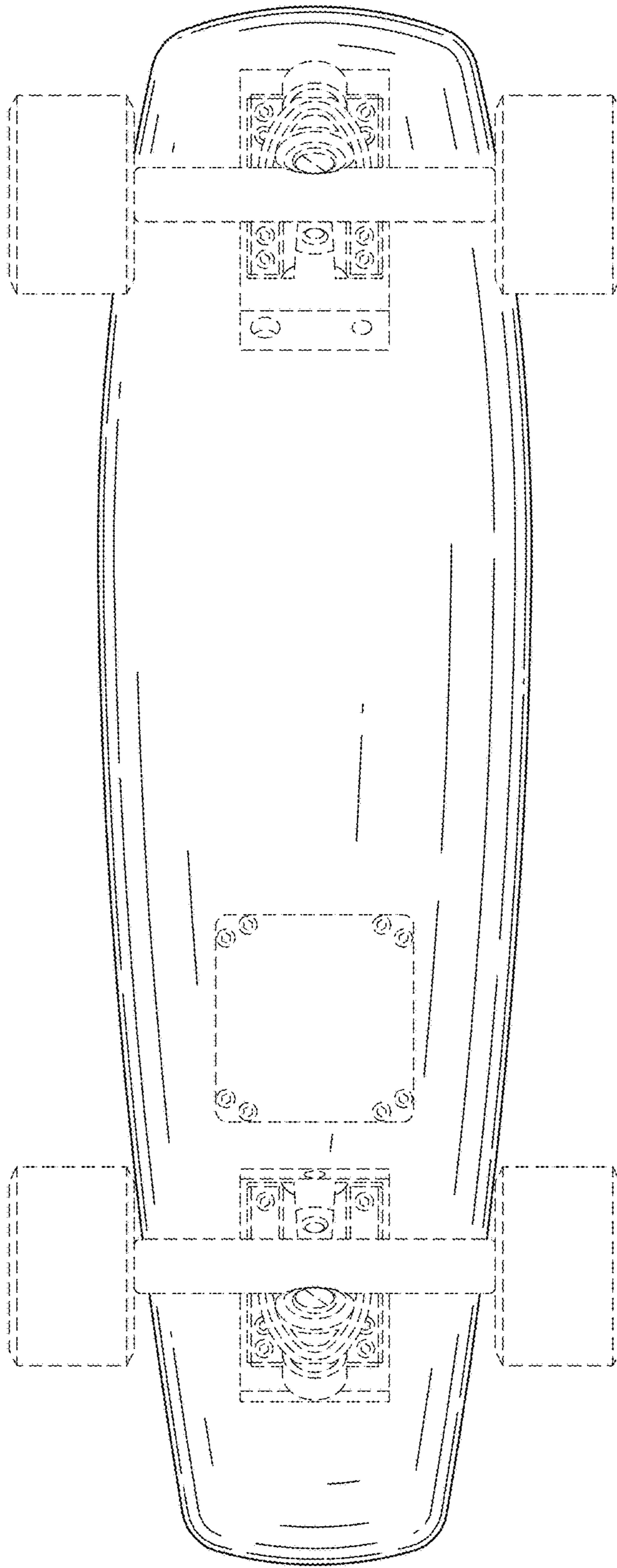


FIG.6