



US00D825013S

(12) **United States Design Patent**
Milleman et al.

(10) **Patent No.:** **US D825,013 S**

(45) **Date of Patent:** **** *Aug. 7, 2018**

(54) **GOLF CLUB HEAD**

(71) Applicant: **Karsten Manufacturing Corporation**,
Phoenix, AZ (US)

(72) Inventors: **Travis D. Milleman**, Cave Creek, AZ
(US); **Xiaojian Chen**, Phoenix, AZ
(US); **David A. Higdon**, Phoenix, AZ
(US)

(73) Assignee: **Karsten Manufacturing Corporation**,
Phoenix, AZ (US)

(*) Notice: This patent is subject to a terminal disclaimer.

(**) Term: **15 Years**

(21) Appl. No.: **29/581,056**

(22) Filed: **Oct. 14, 2016**

(51) **LOC (11) Cl.** **21-02**

(52) **U.S. Cl.**
USPC **D21/752**

(58) **Field of Classification Search**
USPC D21/733, 752, 759
CPC A63B 53/00; A63B 53/04; A63B 53/0466;
A63B 2053/002; A63B 2053/0445; A63B
2053/0433; A63B 2053/0491; A63B
2053/0437

See application file for complete search history.

(56) **References Cited**

U.S. PATENT DOCUMENTS

| | | |
|------------|---------|---------|
| D482,419 S | 11/2003 | Burrows |
| D486,542 S | 2/2004 | Burrows |
| D490,870 S | 6/2004 | Burrows |
| D508,275 S | 8/2005 | Burrows |
| D534,979 S | 1/2007 | Chau |
| D537,139 S | 2/2007 | Breier |
| D537,895 S | 3/2007 | Breier |
| D538,370 S | 3/2007 | Breier |

| | | |
|------------|---------|------------|
| D553,206 S | 10/2007 | Morales |
| D557,362 S | 12/2007 | Serrano |
| D557,363 S | 12/2007 | Jertson |
| D558,287 S | 12/2007 | Jertson |
| D558,288 S | 12/2007 | Jertson |
| D562,421 S | 2/2008 | Jertson |
| D563,498 S | 3/2008 | Jertson |
| D564,054 S | 3/2008 | Jertson |
| D564,055 S | 3/2008 | Jertson |
| D564,056 S | 3/2008 | Chen |
| D566,214 S | 4/2008 | Evans |
| D567,317 S | 4/2008 | Jertson |
| D567,891 S | 4/2008 | Serrano |
| D569,933 S | 5/2008 | Jertson |
| D569,934 S | 5/2008 | Jertson |
| D569,935 S | 5/2008 | Schweigert |
| D569,936 S | 5/2008 | Schweigert |

(Continued)

FOREIGN PATENT DOCUMENTS

JP 1421491 7/2011

Primary Examiner — Mitchell I. Siegel

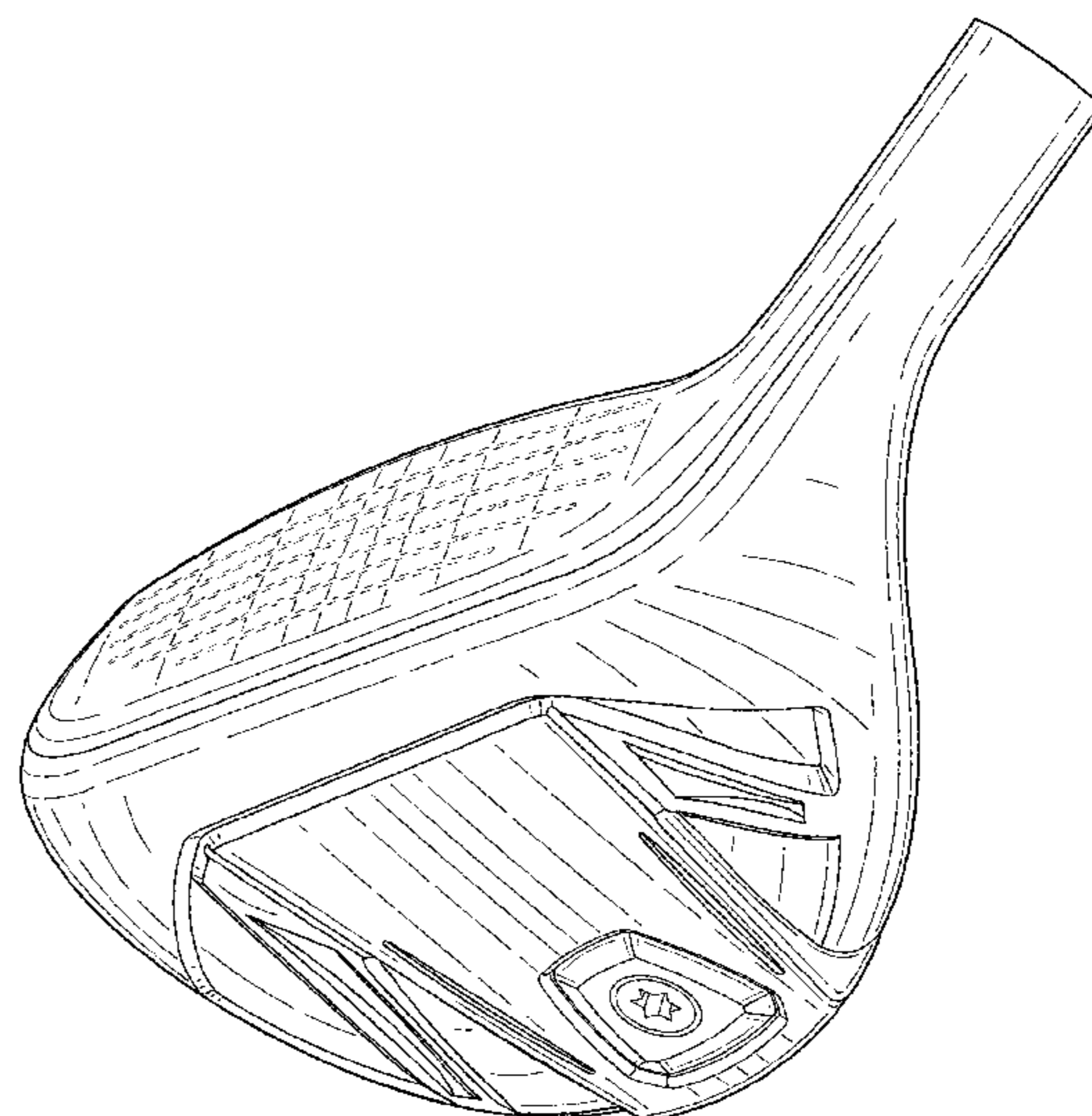
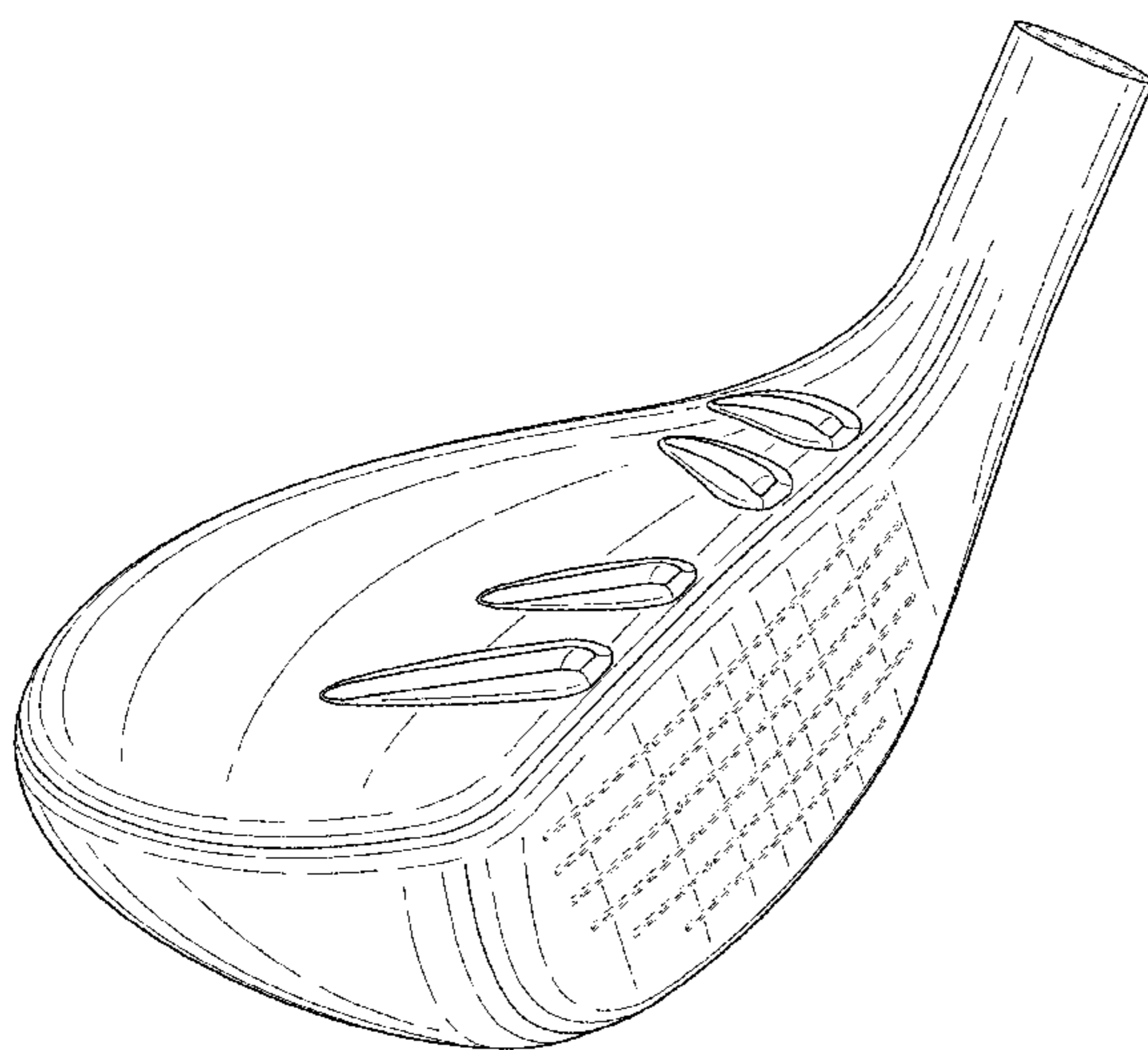
(57) **CLAIM**

The ornamental design for a golf club head, as shown and described.

DESCRIPTION

FIG. 1 is a top perspective view of a golf club head; FIG. 2 is a bottom perspective view of the golf club head of FIG. 1; FIG. 3 is a front view of the golf club head of FIG. 1; FIG. 4 is a rear view of the golf club head of FIG. 1; FIG. 5 is a heel view of the golf club head of FIG. 1; FIG. 6 is a toe view of the golf club head of FIG. 1; FIG. 7 is a top view of the golf club head of FIG. 1; and, FIG. 8 is a bottom view of the golf club head of FIG. 1. The broken lines shown in one or more of the figures are for illustrative purposes only and form no part of the claimed design.

1 Claim, 7 Drawing Sheets



(56)

References Cited

U.S. PATENT DOCUMENTS

| | | | | | | |
|--------------|---------|--------------|-----------------|---------|------------------|---------|
| D569,937 S | 5/2008 | Sanchez | D613,805 S | 4/2010 | Sutovsky | |
| D569,938 S | 5/2008 | Sanchez | 7,717,807 B2 | 5/2010 | Evans et al. | |
| D570,937 S | 6/2008 | Schweigert | D618,747 S | 6/2010 | Schweigert | |
| D570,938 S | 6/2008 | Jertson | D618,753 S | 6/2010 | Jertson | |
| D570,939 S | 6/2008 | Chen | D618,754 S | 6/2010 | Schweigert | |
| D570,940 S | 6/2008 | Chen | D621,892 S | 8/2010 | Kohno | |
| D570,941 S | 6/2008 | Chen | D631,111 S * | 1/2011 | Bennett | D21/752 |
| D571,882 S | 6/2008 | Soracco | 7,892,111 B2 | 2/2011 | Morales | |
| D572,324 S | 7/2008 | Chen | D635,626 S | 4/2011 | Nicolette | |
| D572,782 S | 7/2008 | Sanchez | D638,896 S | 5/2011 | Schweigert | |
| D572,783 S | 7/2008 | Sanchez | 7,934,998 B2 | 5/2011 | Yokota | |
| D572,784 S | 7/2008 | Sanchez | 8,012,034 B1 | 9/2011 | Cackett | |
| D572,785 S | 7/2008 | Chen | 8,012,038 B1 | 9/2011 | Beach et al. | |
| D572,787 S | 7/2008 | Sanchez | D647,585 S | 10/2011 | Jertson | |
| D572,791 S | 7/2008 | Jertson | D661,751 S | 6/2012 | Nicolette | |
| D573,213 S | 7/2008 | Sanchez | D661,752 S | 6/2012 | Stokke | |
| D573,214 S | 7/2008 | Sanchez | D661,756 S | 6/2012 | Nicolette | |
| D573,215 S | 7/2008 | Sanchez | D661,757 S | 6/2012 | Stokke | |
| D573,216 S | 7/2008 | Sanchez | 8,235,841 B2 | 8/2012 | Stites et al. | |
| D573,217 S | 7/2008 | Sanchez | D669,546 S | 10/2012 | Llewellyn | |
| D573,218 S | 7/2008 | Sanchez | D669,948 S | 10/2012 | Sakamoto | |
| D573,674 S | 7/2008 | Sanchez | D669,949 S | 10/2012 | Sakamoto | |
| D573,675 S | 7/2008 | Sanchez | 8,337,319 B2 | 12/2012 | Sargent et al. | |
| D573,676 S | 7/2008 | Chen | 8,337,326 B2 | 12/2012 | Lukasiewicz, Jr. | |
| D573,678 S | 7/2008 | Kawami | 8,337,328 B2 | 12/2012 | Foster et al. | |
| D574,046 S | 7/2008 | Chen | D673,630 S | 1/2013 | Schweigert | |
| D574,048 S | 7/2008 | Kadoya | D673,631 S * | 1/2013 | Engel | D21/759 |
| D574,049 S | 7/2008 | Kadoya | D673,632 S | 1/2013 | Schweigert | |
| D574,050 S | 7/2008 | Jones | D680,179 S | 4/2013 | Solheim | |
| 7,396,296 B2 | 7/2008 | Evans | D686,291 S | 7/2013 | Foster | |
| D574,456 S | 8/2008 | Chen | D687,503 S | 8/2013 | Solheim | |
| D578,587 S | 10/2008 | Hoffman | D691,230 S | 10/2013 | Chen et al. | |
| D579,066 S | 10/2008 | Dipert | D696,739 S | 12/2013 | Stokke et al. | |
| D579,067 S | 10/2008 | Hoffman | D705,879 S | 5/2014 | Chen | |
| D580,504 S | 11/2008 | Bosilkoviski | D707,765 S | 6/2014 | Engel et al. | |
| D583,432 S | 12/2008 | Serrano | D709,153 S | 7/2014 | Fossum et al. | |
| D587,772 S | 3/2009 | Ferguson | D709,574 S | 7/2014 | Bacon et al. | |
| D588,217 S | 3/2009 | Jertson | D720,025 S | 12/2014 | Nicolette | |
| D588,220 S | 3/2009 | Ferguson | D721,147 S | 1/2015 | Chen | |
| D588,659 S | 3/2009 | Jertson | D721,777 S | 1/2015 | Chen | |
| D589,576 S | 3/2009 | Kadoya | D738,976 S * | 9/2015 | Kim | D21/759 |
| 7,503,854 B2 | 3/2009 | Galloway | D754,271 S | 4/2016 | Chen | |
| D591,810 S | 5/2009 | Murphey | D755,317 S | 5/2016 | Chen | |
| D591,816 S | 5/2009 | Vehse | D763,983 S | 8/2016 | Tang | |
| D591,817 S | 5/2009 | Murphey | D763,997 S * | 8/2016 | Tang | D21/759 |
| D591,818 S | 5/2009 | Roberts | D777,855 S * | 1/2017 | Stokke | D21/752 |
| D594,518 S | 6/2009 | Schweigert | D780,866 S * | 3/2017 | Stokke | D21/752 |
| D594,521 S | 6/2009 | Jertson | D785,735 S * | 5/2017 | Bacon | D21/752 |
| D594,919 S | 6/2009 | Schweigert | D788,864 S * | 6/2017 | Stokke | D21/752 |
| D595,381 S | 6/2009 | Waggoner | D791,255 S * | 7/2017 | Jertson | D21/752 |
| D596,252 S | 7/2009 | Jertson | D794,733 S * | 8/2017 | Milleman | D21/752 |
| D598,062 S | 8/2009 | Dipert | D801,461 S * | 10/2017 | Milleman | D21/752 |
| D600,297 S | 9/2009 | Jertson | D801,465 S * | 10/2017 | Tang | D21/759 |
| D603,472 S | 11/2009 | Schweigert | 2006/0052181 A1 | 3/2006 | Serrano | |
| D603,919 S | 11/2009 | Gray | 2008/0171612 A1 | 7/2008 | Serrano | |
| D604,376 S | 11/2009 | Darley | 2008/0188322 A1 | 8/2008 | Anderson | |
| D609,293 S | 2/2010 | Williams | 2009/0275419 A1 | 11/2009 | Cackett | |
| D609,294 S | 2/2010 | Oldknow | 2010/0267461 A1 | 10/2010 | Stites | |
| D611,555 S | 3/2010 | Oldknow | 2011/0053702 A1 | 3/2011 | Stites et al. | |
| D612,005 S | 3/2010 | Oldknow | 2011/0143858 A1 | 6/2011 | Peralta | |
| | | | 2012/0252597 A1 | 10/2012 | Thomas | |
| | | | 2013/0029781 A1 | 1/2013 | Beno et al. | |

* cited by examiner

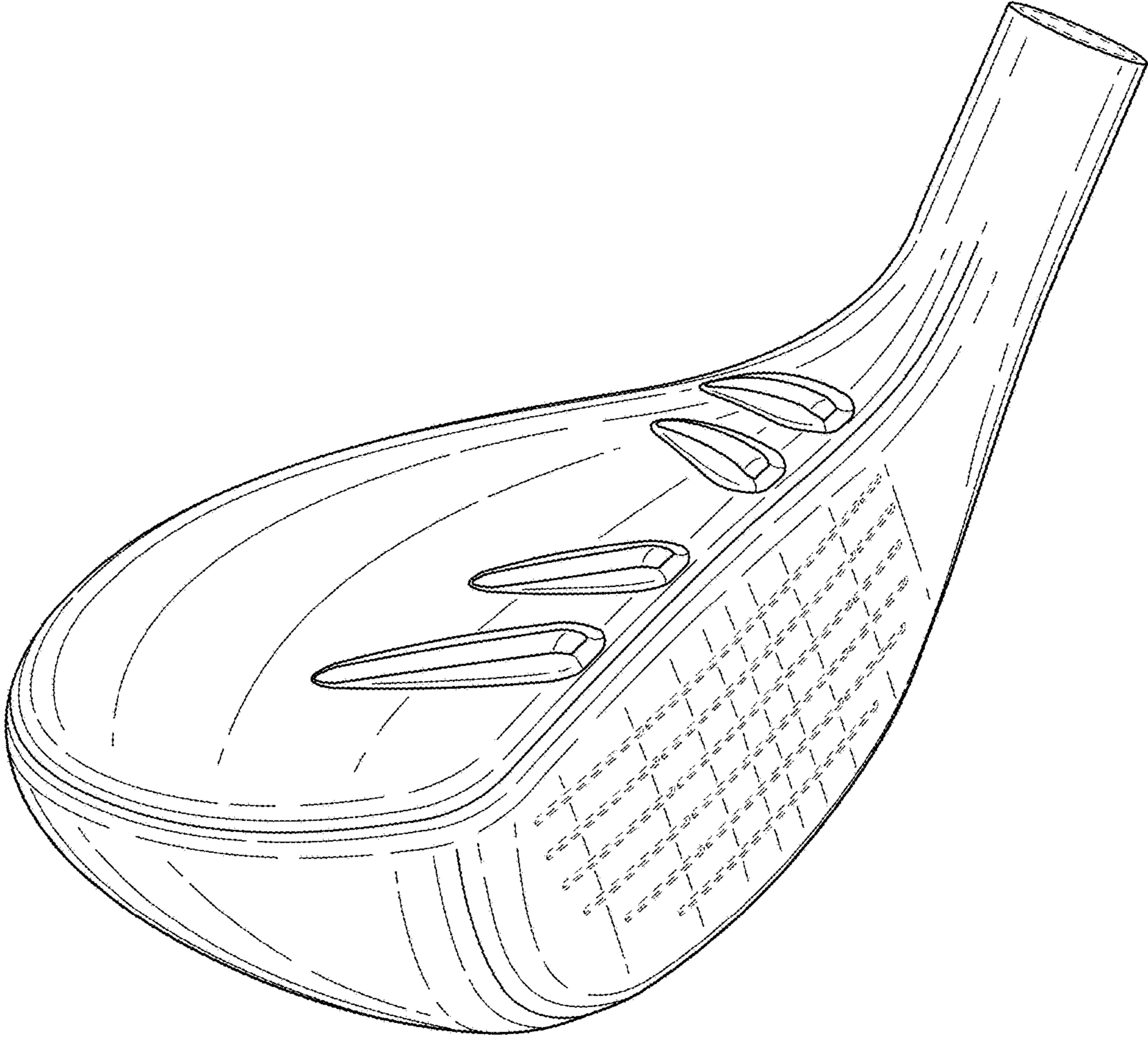


FIG. 1



FIG. 2

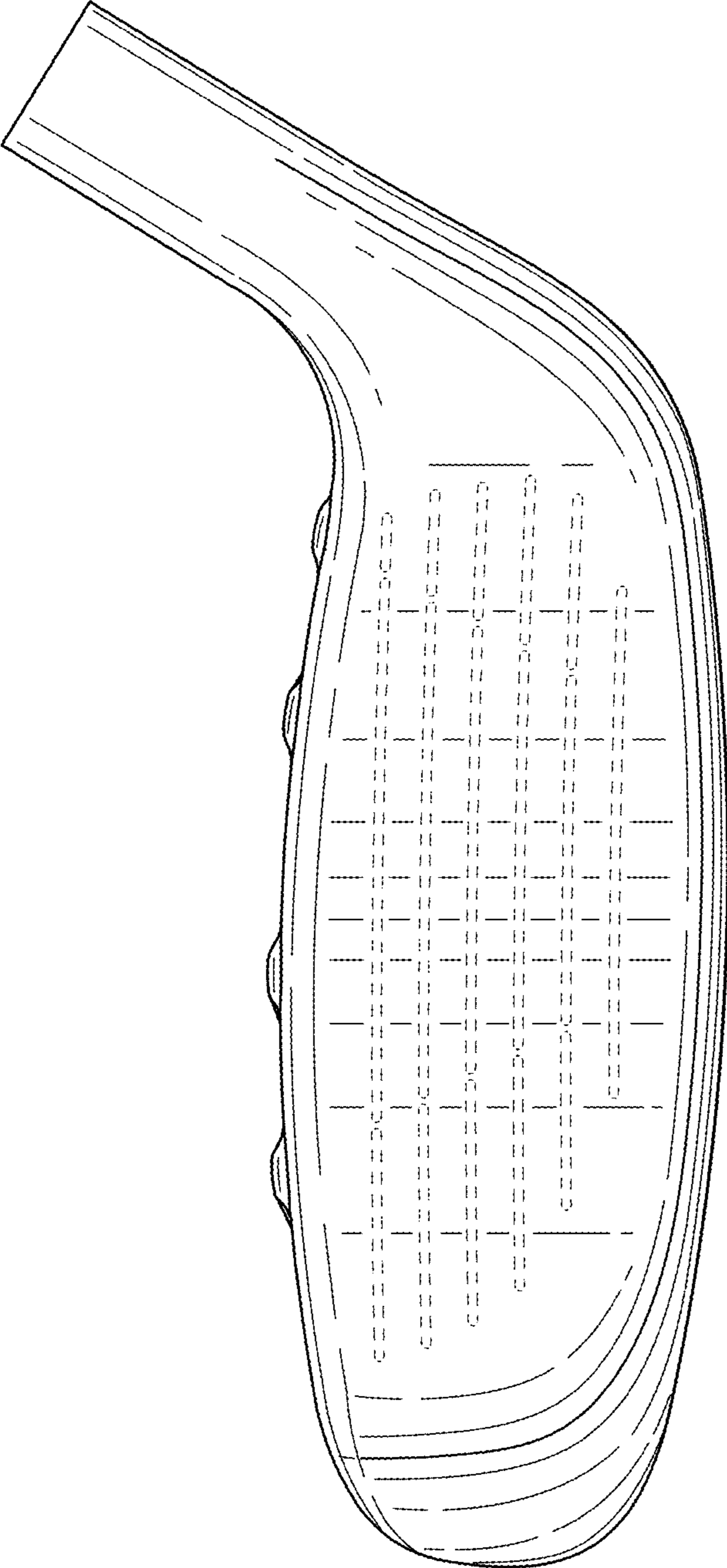


FIG. 3

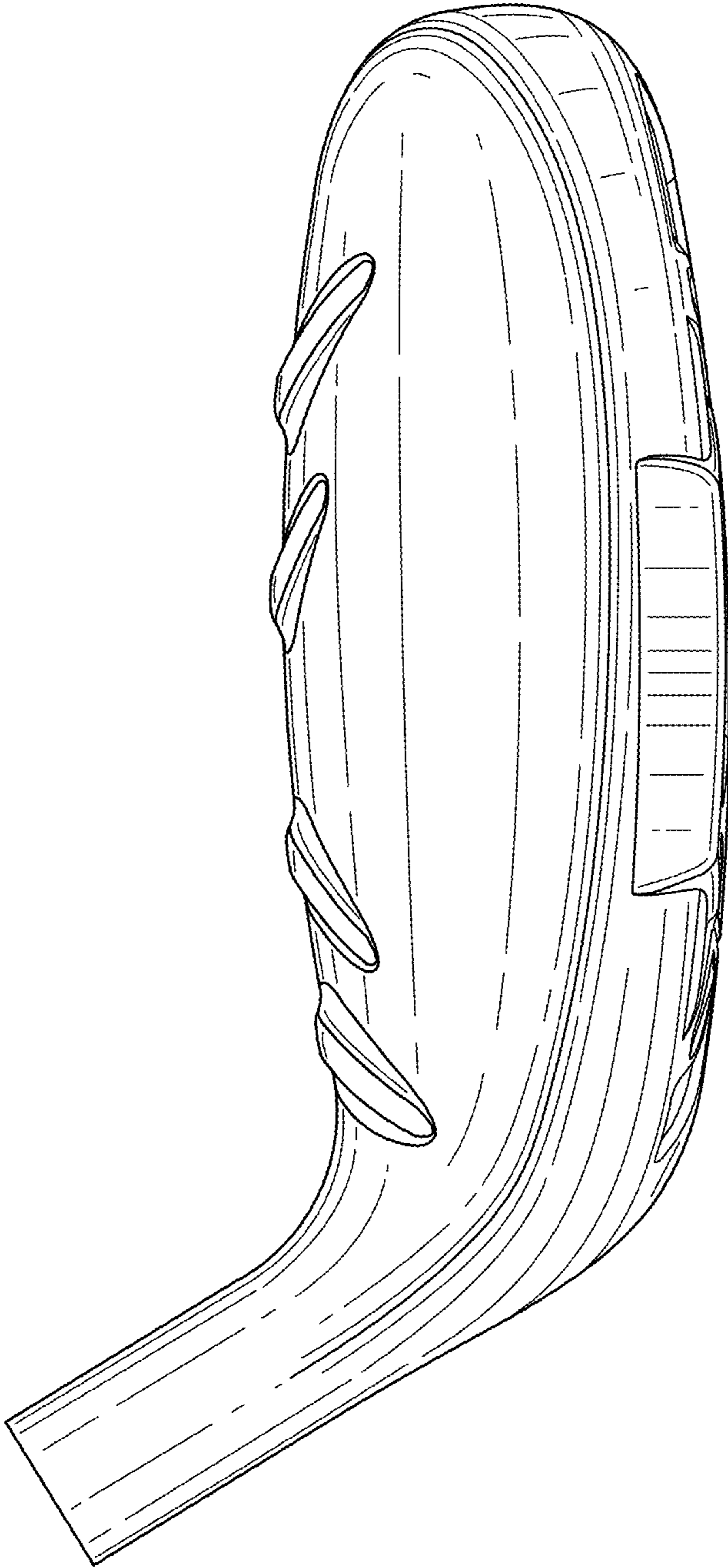


FIG. 4

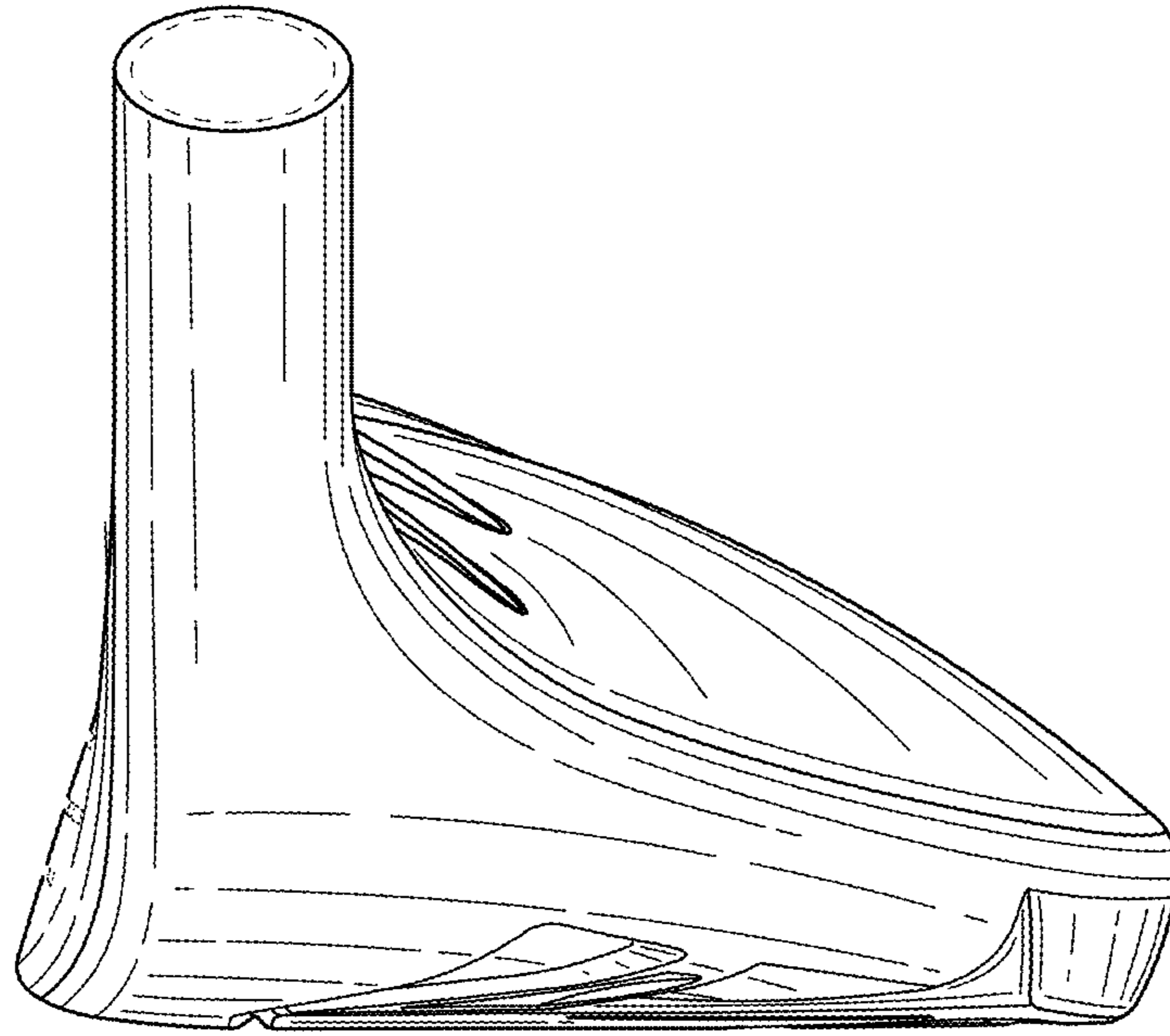


FIG. 5

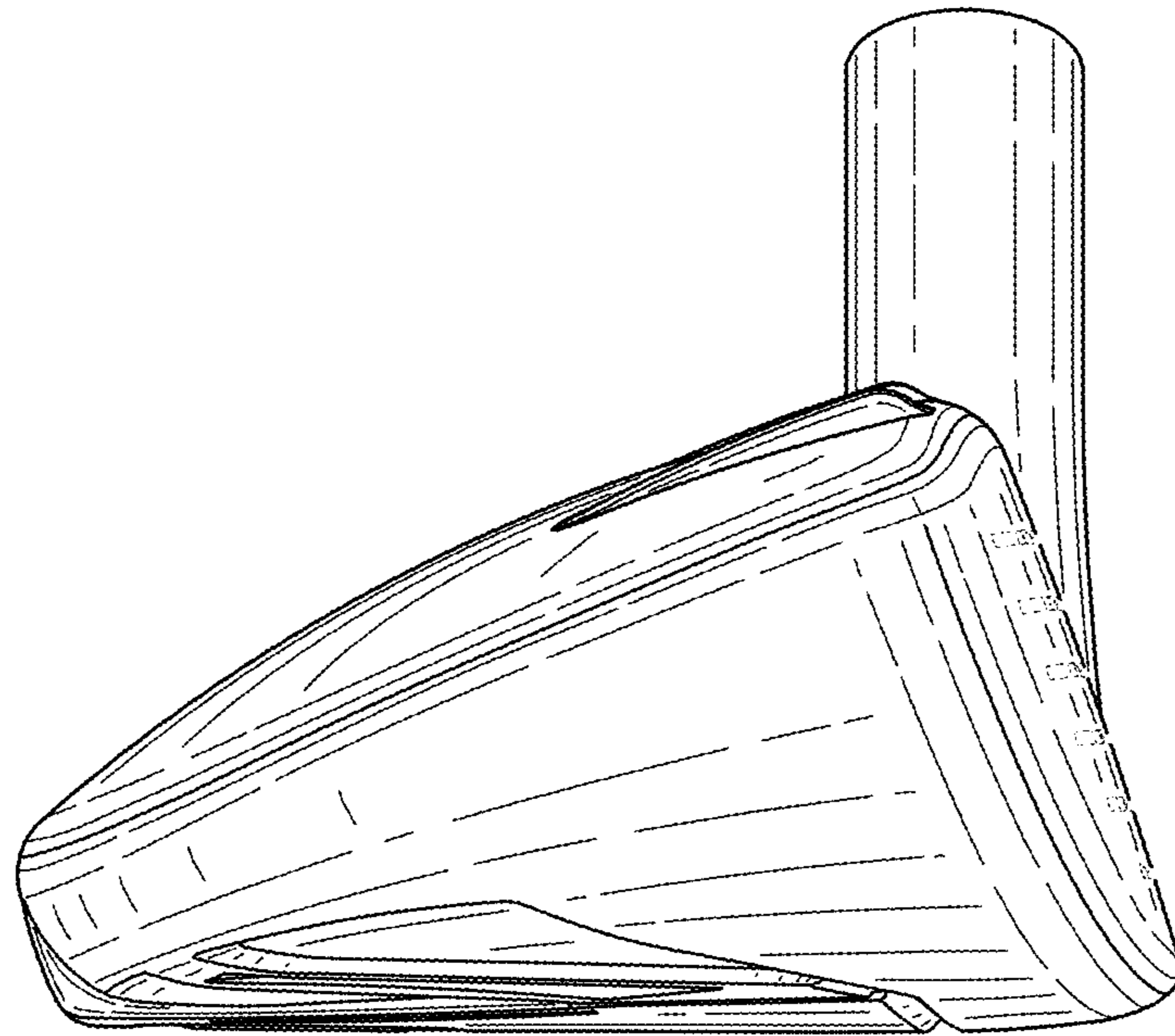


FIG. 6

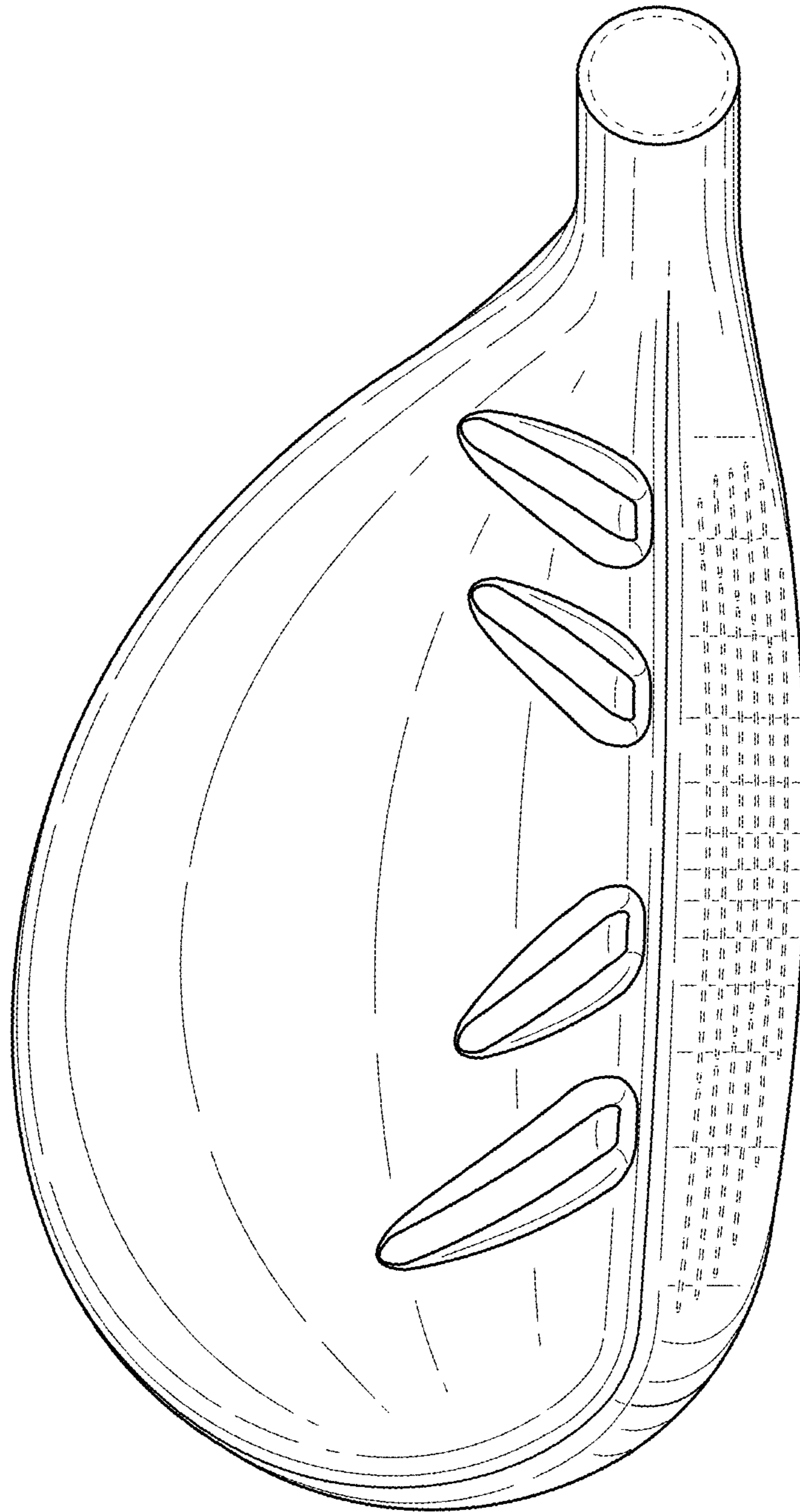


FIG. 7

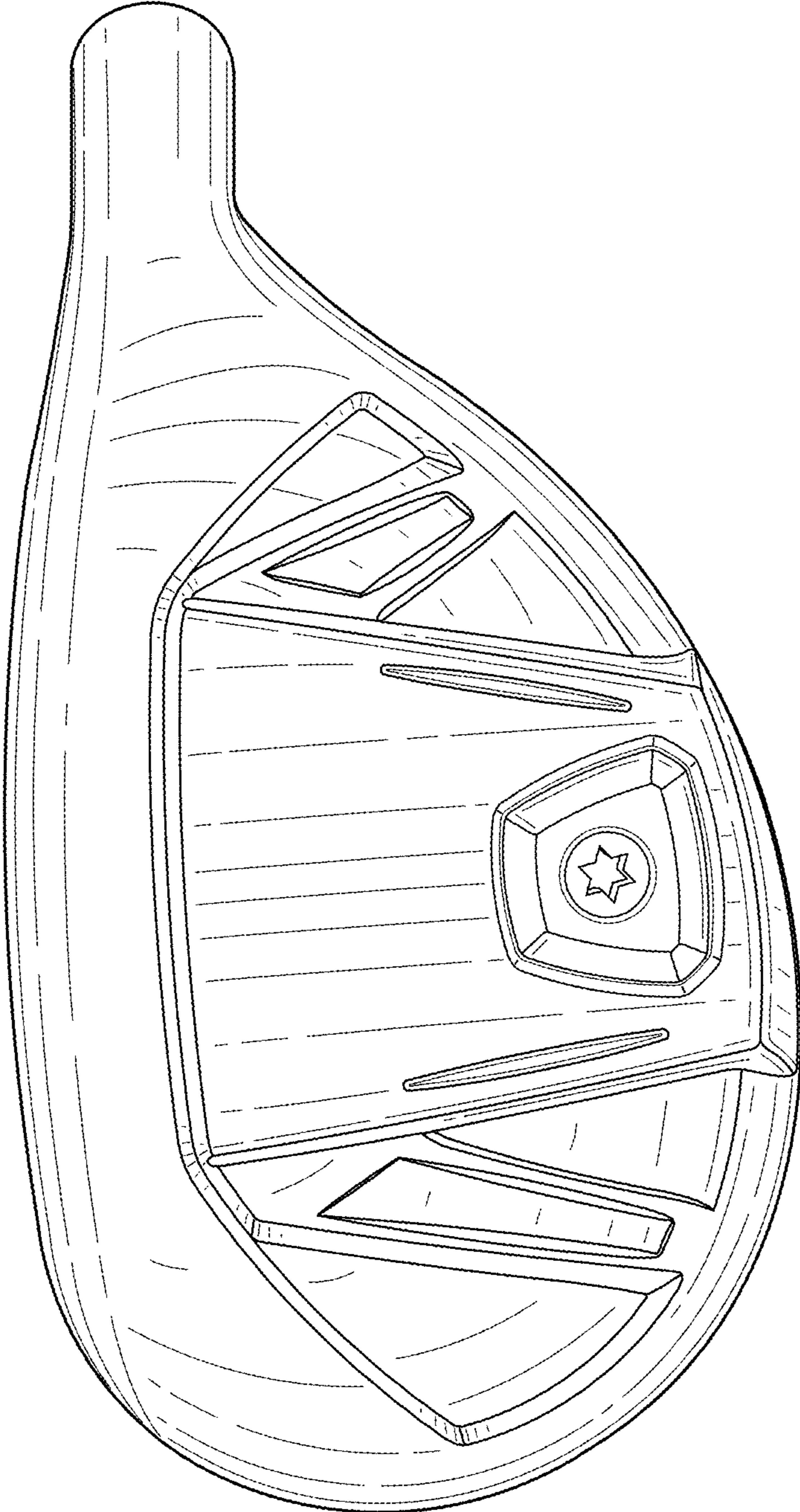


FIG. 8