



US00D825012S

(12) **United States Design Patent** (10) **Patent No.:** **US D825,012 S**  
**Bass** (45) **Date of Patent:** **\*\* Aug. 7, 2018**

(54) **DIRECT DRIVE BICYCLE TRAINER**

(71) Applicant: **Saris Cycling Group, Inc.**, Madison, WI (US)

(72) Inventor: **Benjamin R. Bass**, Madison, WI (US)

(73) Assignee: **Saris Cycling Group, Inc.**, Madison, WI (US)

(\*\*) Term: **15 Years**

(21) Appl. No.: **29/591,797**

(22) Filed: **Jan. 24, 2017**

(51) **LOC (11) Cl.** ..... **21-02**

(52) **U.S. Cl.**  
USPC ..... **D21/664**

(58) **Field of Classification Search**

USPC ..... D21/663, 667, 666, 697, 694, 665, 668, D21/664, 690, 676; 482/57, 62, 111, 482/139, 145, 60, 51, 123, 72, 61, 58, 9; 74/502.4, 502.6, 594.2, 594.1, 48; D12/178, 411, 345; D23/382, 381, 378, D23/412, 411; D13/115; D15/7  
CPC ... A63B 22/0605; A63B 21/225; A63B 69/16; A63B 2225/09; A63B 21/015; A63B 2022/0652; A63B 22/0012  
See application file for complete search history.

(56) **References Cited**

U.S. PATENT DOCUMENTS

D226,670	S *	4/1973	Nickels	.....	482/60
4,789,153	A	12/1988	Brown		
5,108,092	A *	4/1992	Hurst	.....	A63B 22/0005
					482/60
D372,283	S *	7/1996	Chen	.....	D21/663
D373,395	S *	9/1996	Chen	.....	D21/663
6,361,477	B1 *	3/2002	Kolda	.....	A63B 21/008
					188/290
D462,099	S *	8/2002	Chen	.....	D21/663
6,620,081	B2 *	9/2003	Phillips	.....	A63B 21/015
					482/57

(Continued)

OTHER PUBLICATIONS

CycleOps Hammer by DC Rainmaker dated May 12, 2016. Found online [Oct. 14, 2017]https://www.youtube.com/watch?v=5P9t1Cd\_UBw (Year: 2016).\*

*Primary Examiner* — Philip S Hyder

*Assistant Examiner* — Ryan Harvey

(74) *Attorney, Agent, or Firm* — Boyle Fredrickson, S.C.

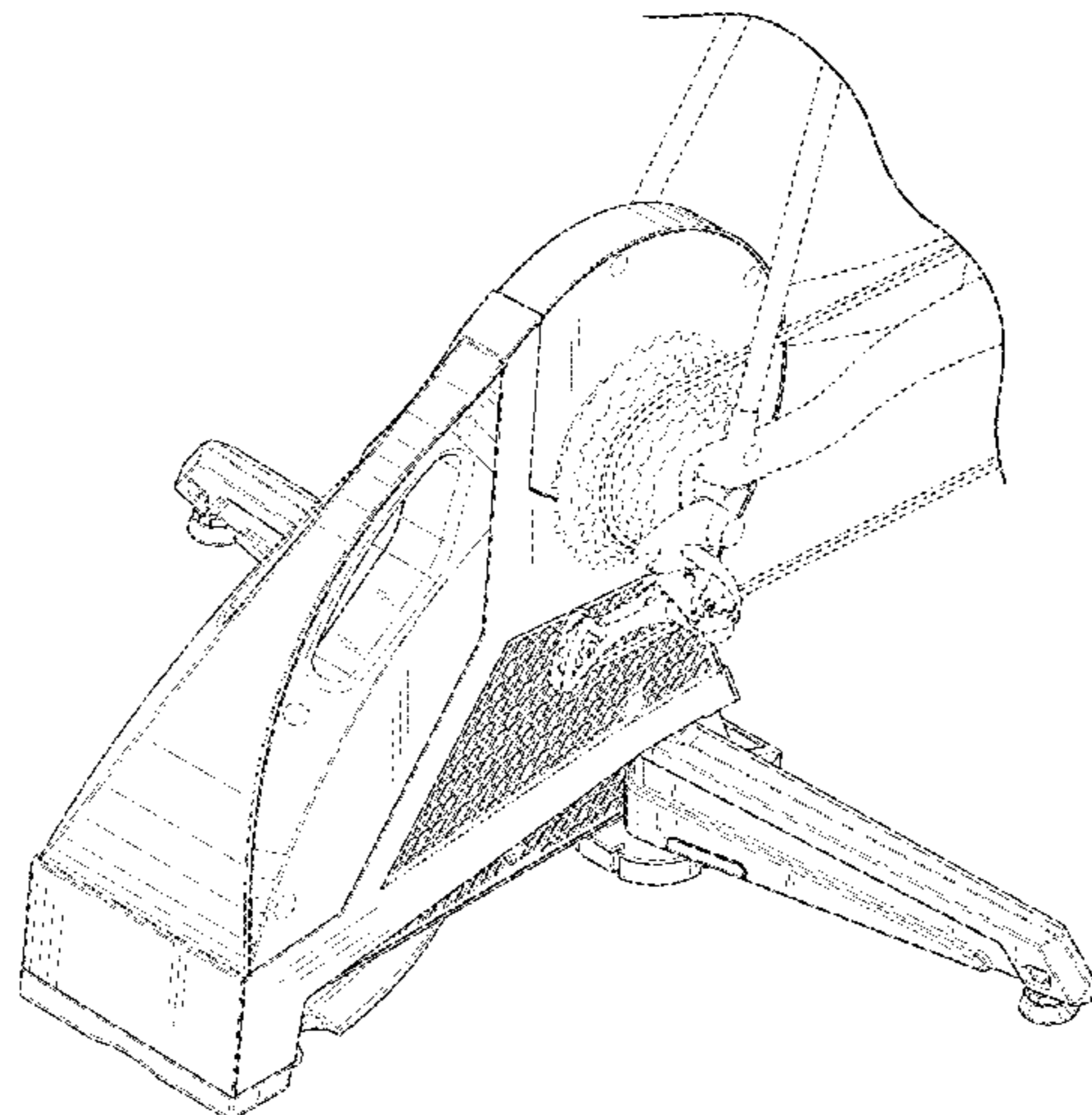
(57) **CLAIM**

The ornamental design of a direct drive bicycle trainer, as shown and described.

**DESCRIPTION**

FIG. 1 is an isometric view of a direct drive bicycle trainer, shown in use, in a first configuration wherein a pair of support legs of the trainer are in an extended position; FIG. 2 is a rear end elevation view thereof; FIG. 3 is a front end elevation view thereof; FIG. 4 is a first side elevation view thereof; FIG. 5 is a second side elevation view thereof; FIG. 6 is a top plan view thereof; FIG. 7 is a bottom plan view thereof; FIG. 8 is an isometric view thereof, illustrating the direct drive bicycle trainer in a second configuration wherein the pair of support legs of the trainer are in a retracted position; FIG. 9 is a rear end elevation view thereof; FIG. 10 is a front end elevation view thereof; FIG. 11 is a first side elevation view thereof; FIG. 12 is a second side elevation view thereof; FIG. 13 is a top plan view thereof; and, FIG. 14 is a bottom plan view thereof. The broken line showing of portions of the direct drive bicycle trainer and bicycle, shown in FIG. 1, depicts environment and forms no part of the claim.

**1 Claim, 14 Drawing Sheets**



(56)

**References Cited**

U.S. PATENT DOCUMENTS

D482,084 S \* 11/2003 Yang ..... D21/663  
D482,416 S \* 11/2003 Yang ..... D21/663  
8,147,388 B2 4/2012 Bingham et al.  
D663,794 S \* 7/2012 Bingham ..... D21/663  
D666,685 S \* 9/2012 Bingham ..... D21/663  
D682,370 S \* 5/2013 Bingham ..... D21/663  
D728,707 S \* 5/2015 Colburn ..... D21/663  
D744,050 S \* 11/2015 Colburn ..... D21/663  
9,474,930 B2 \* 10/2016 Hsu ..... A63B 23/0476  
D794,142 S \* 8/2017 Zhou ..... D21/663  
2013/0053223 A1 2/2013 Shu-Chiung  
2014/0171266 A1 6/2014 Hawkins, III et al.  
2014/0171272 A1 6/2014 Hawkins et al.  
2014/0287883 A1 \* 9/2014 Decca ..... A63B 22/0694  
482/57  
2015/0290490 A1 10/2015 Badameh

\* cited by examiner

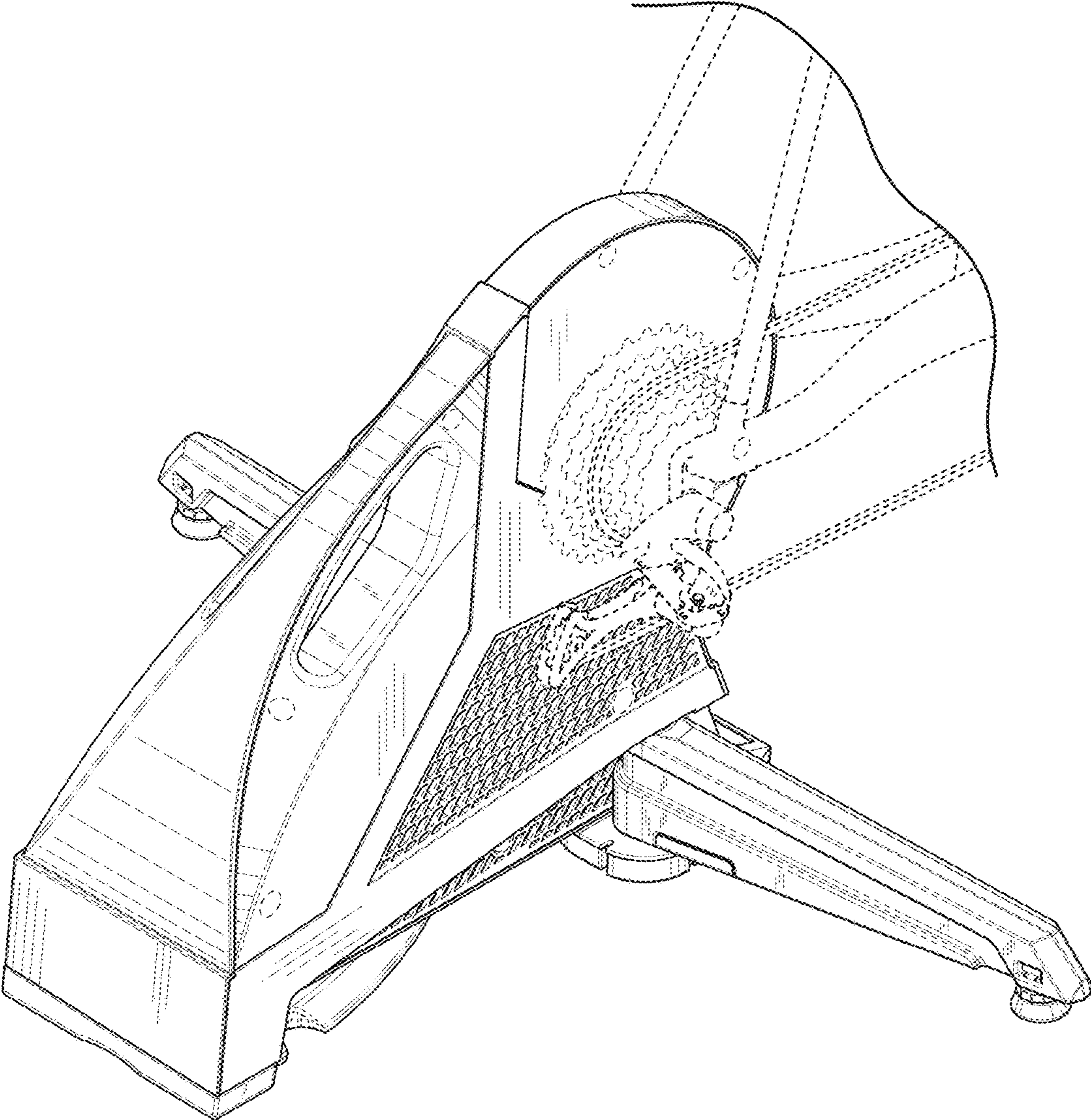


FIG. 1



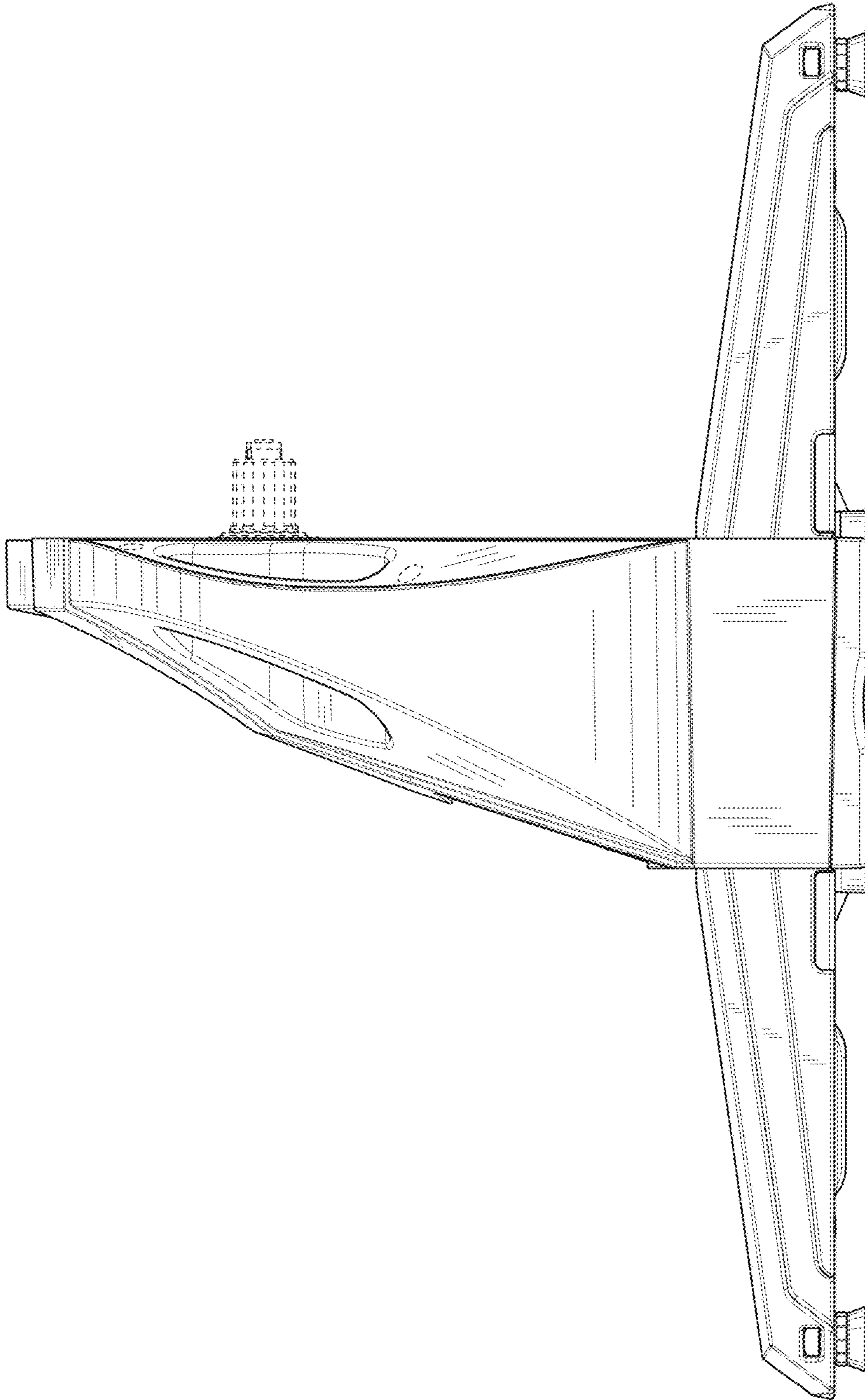


FIG. 2

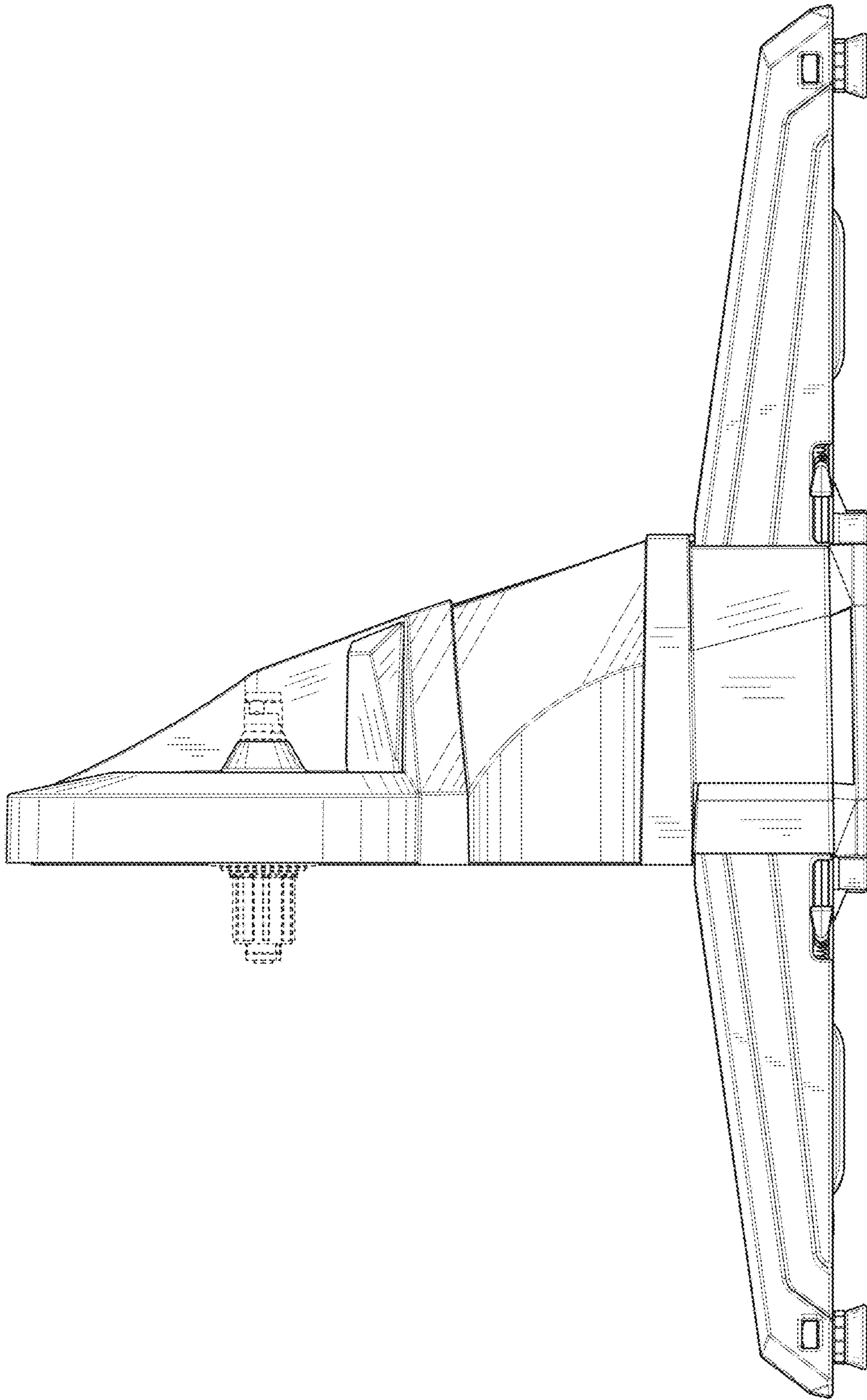


FIG. 3

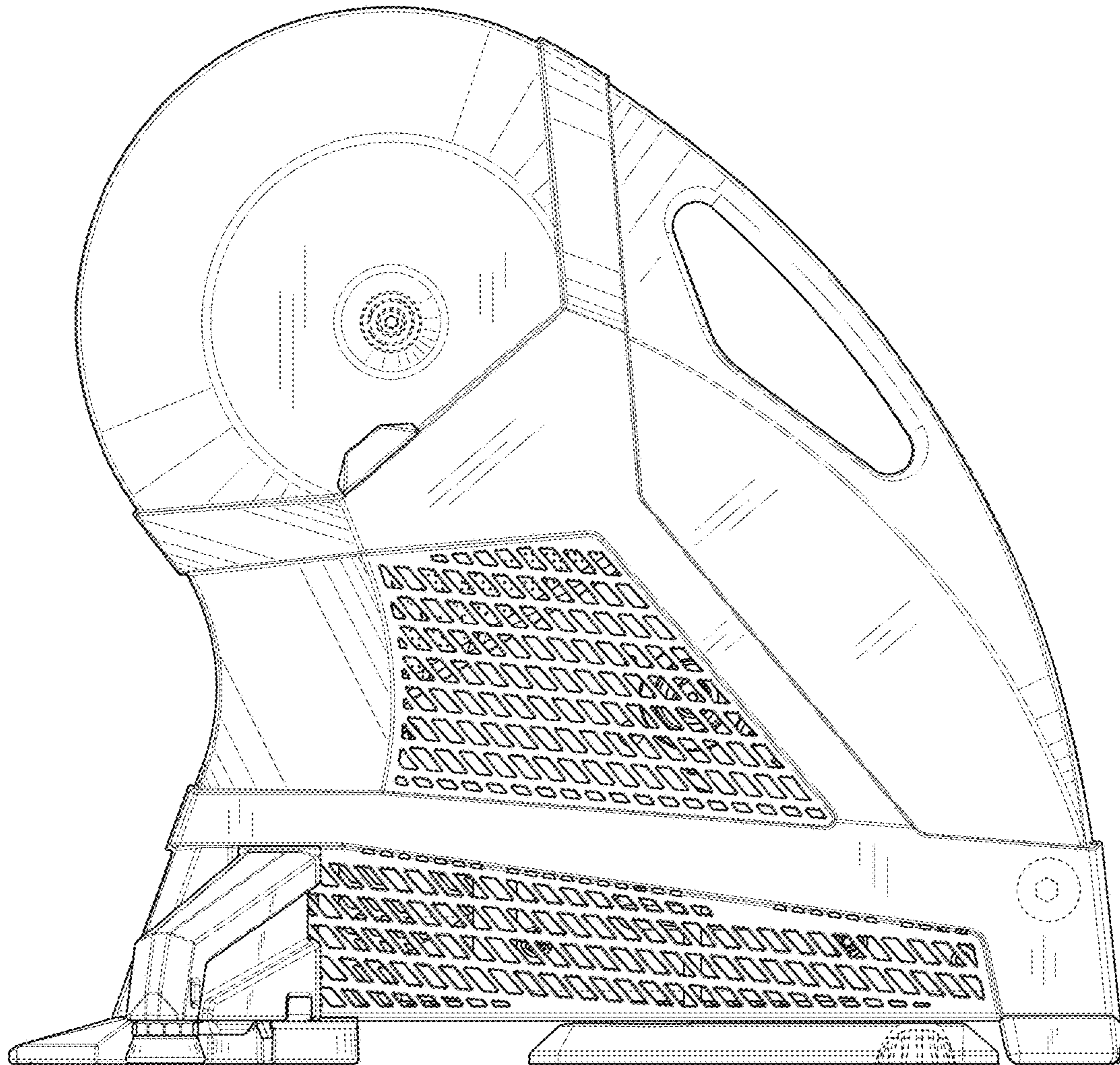


FIG. 4



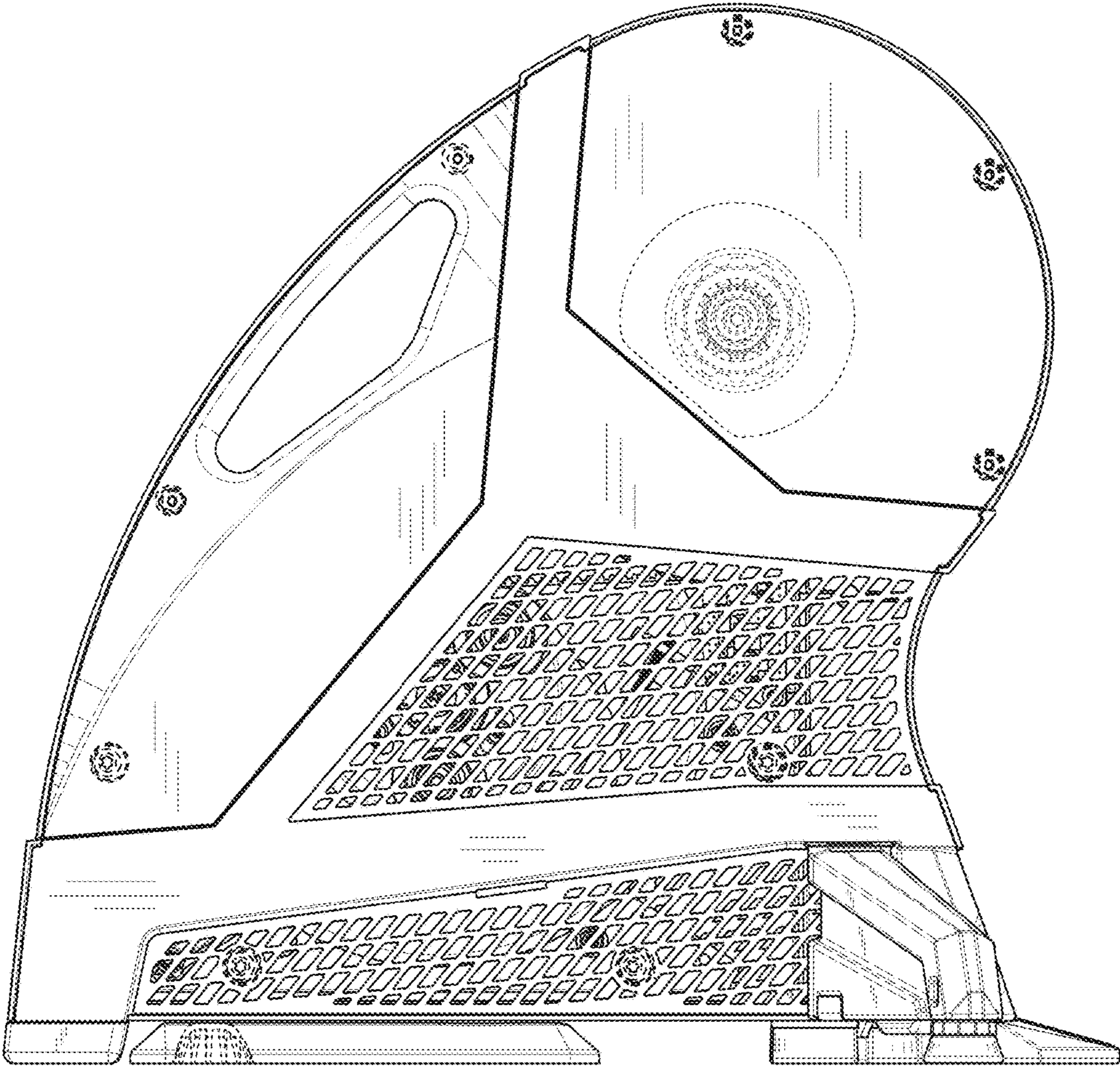


FIG. 5

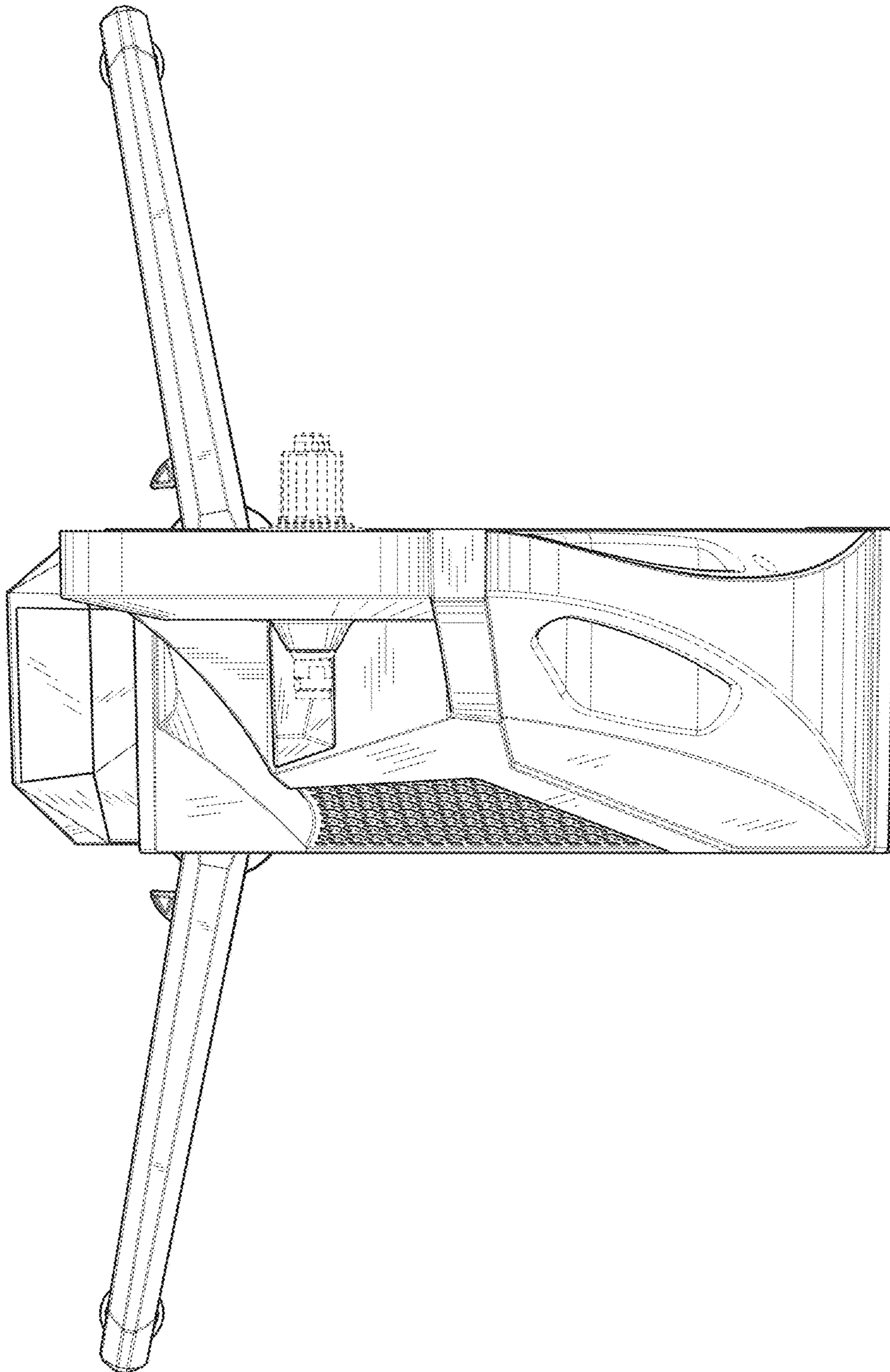


FIG. 6



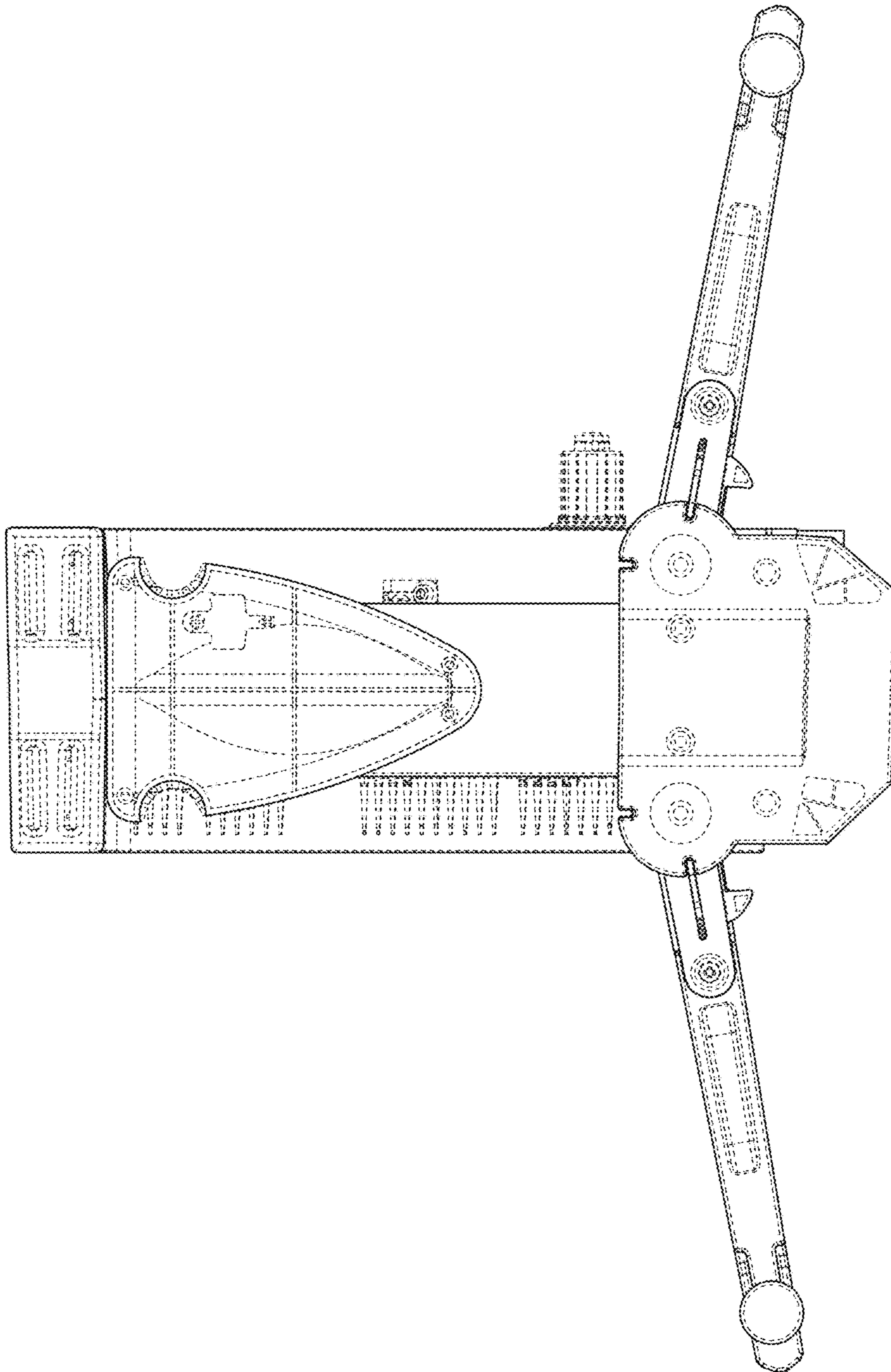


FIG. 7

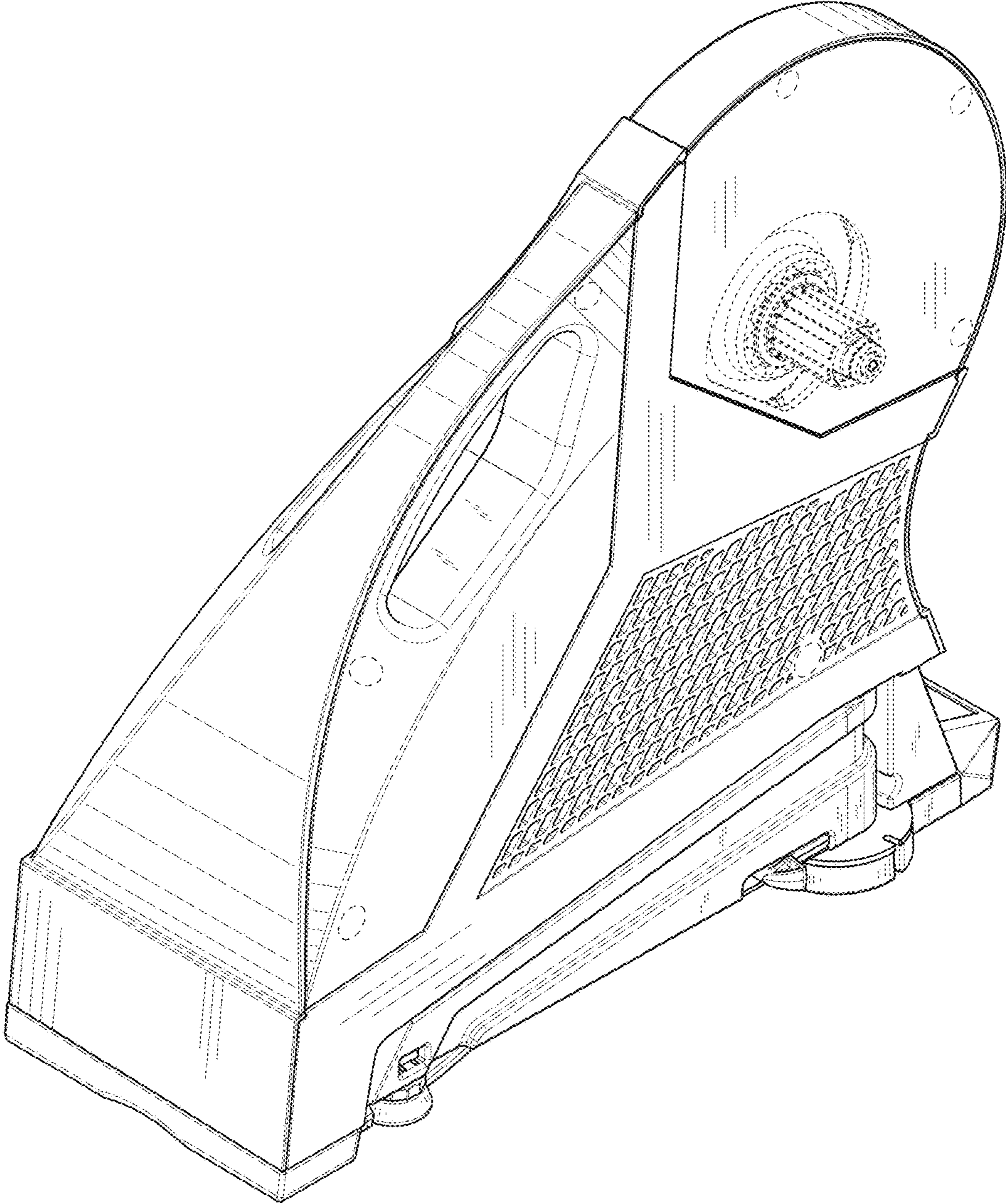


FIG. 8

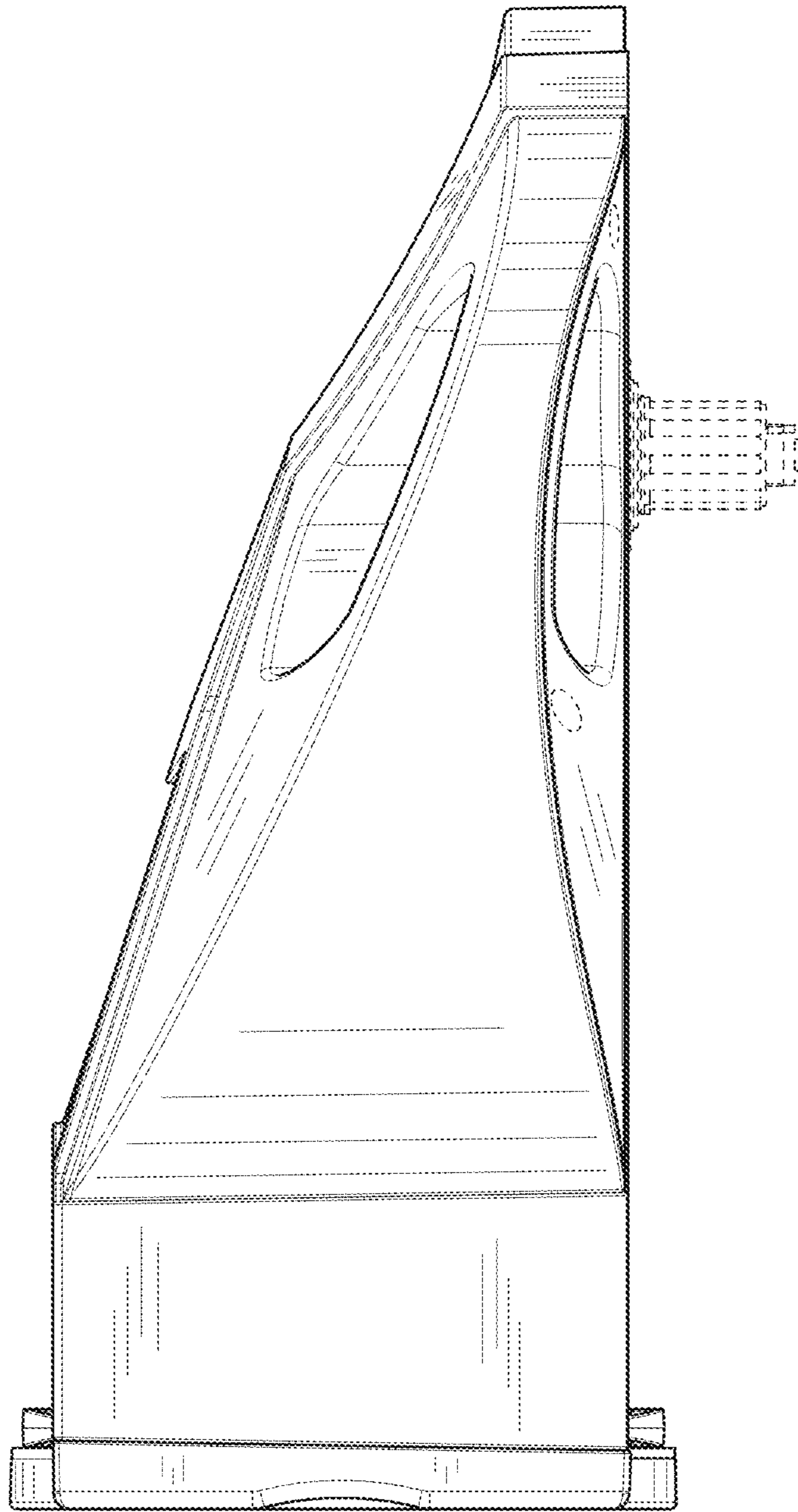


FIG. 9



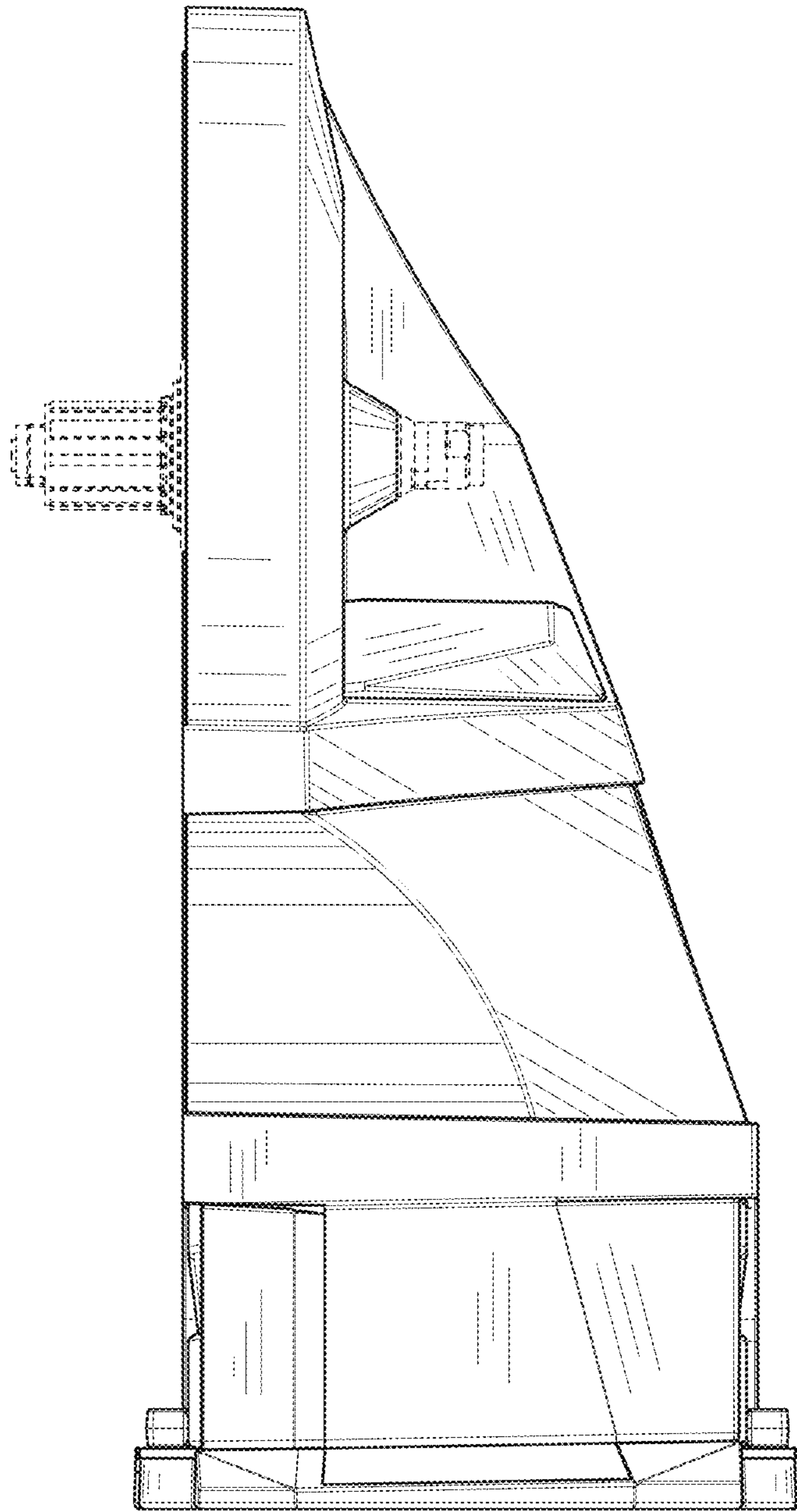


FIG. 10

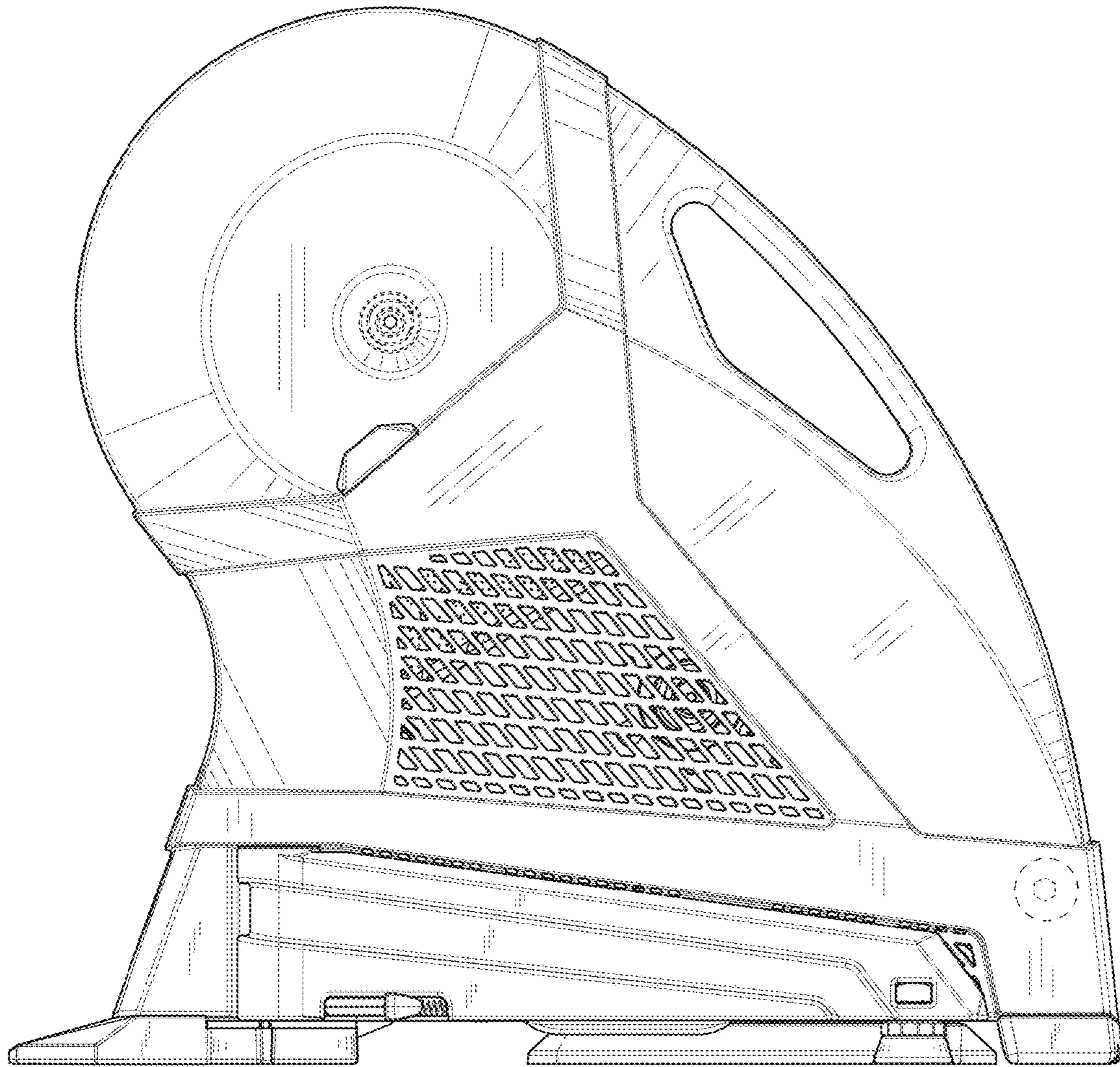


FIG. 11

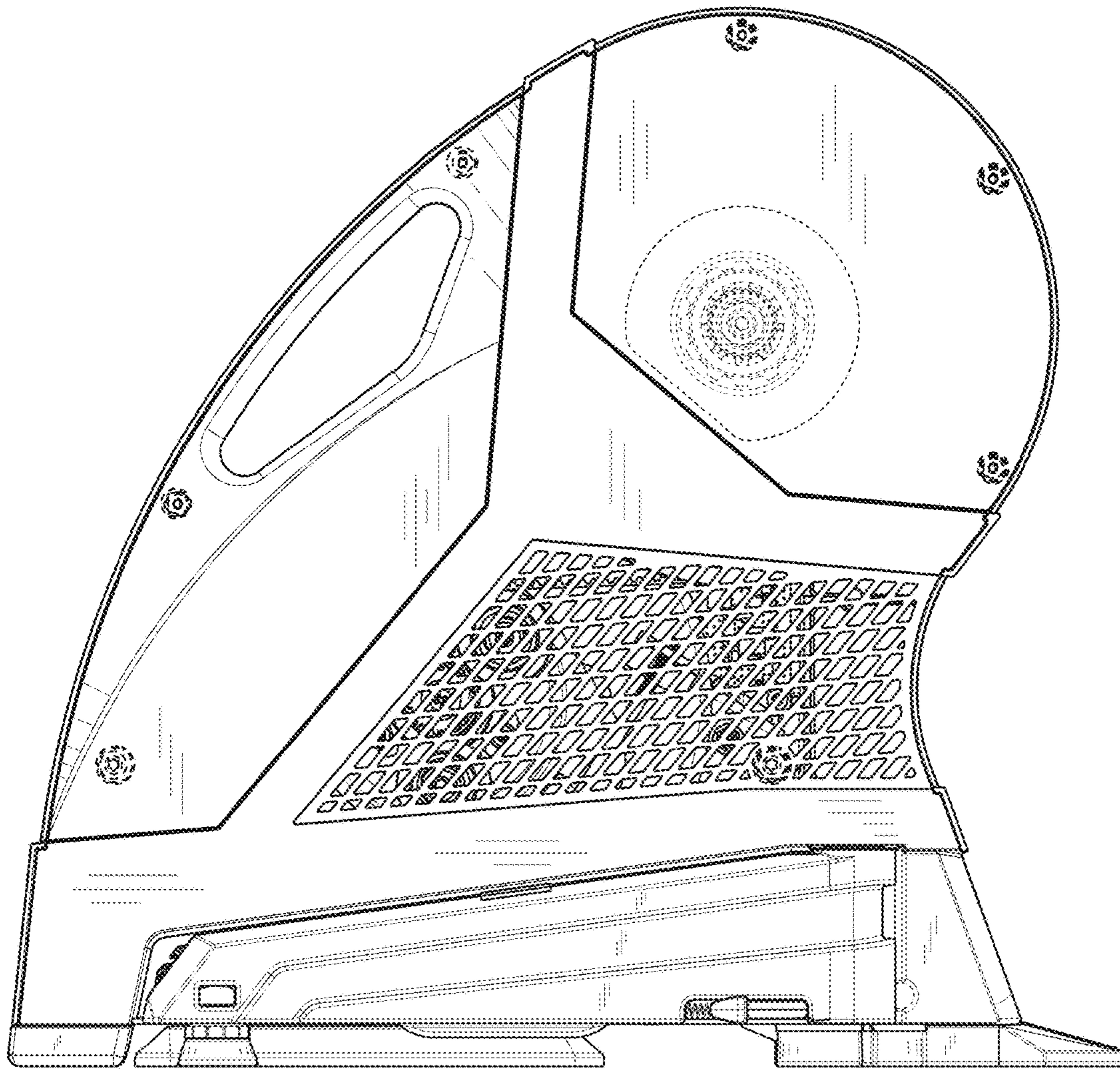


FIG. 12



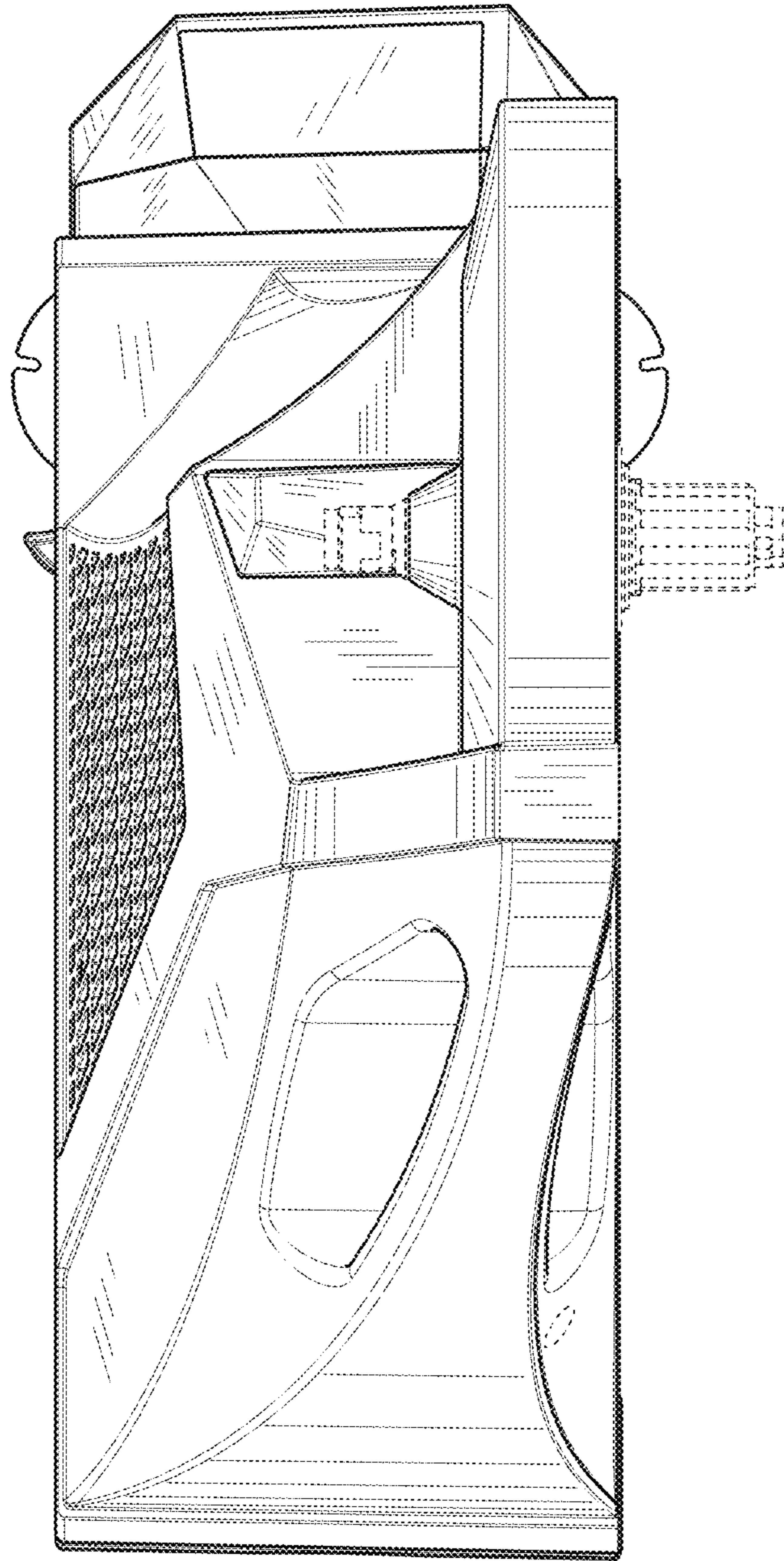


FIG. 13

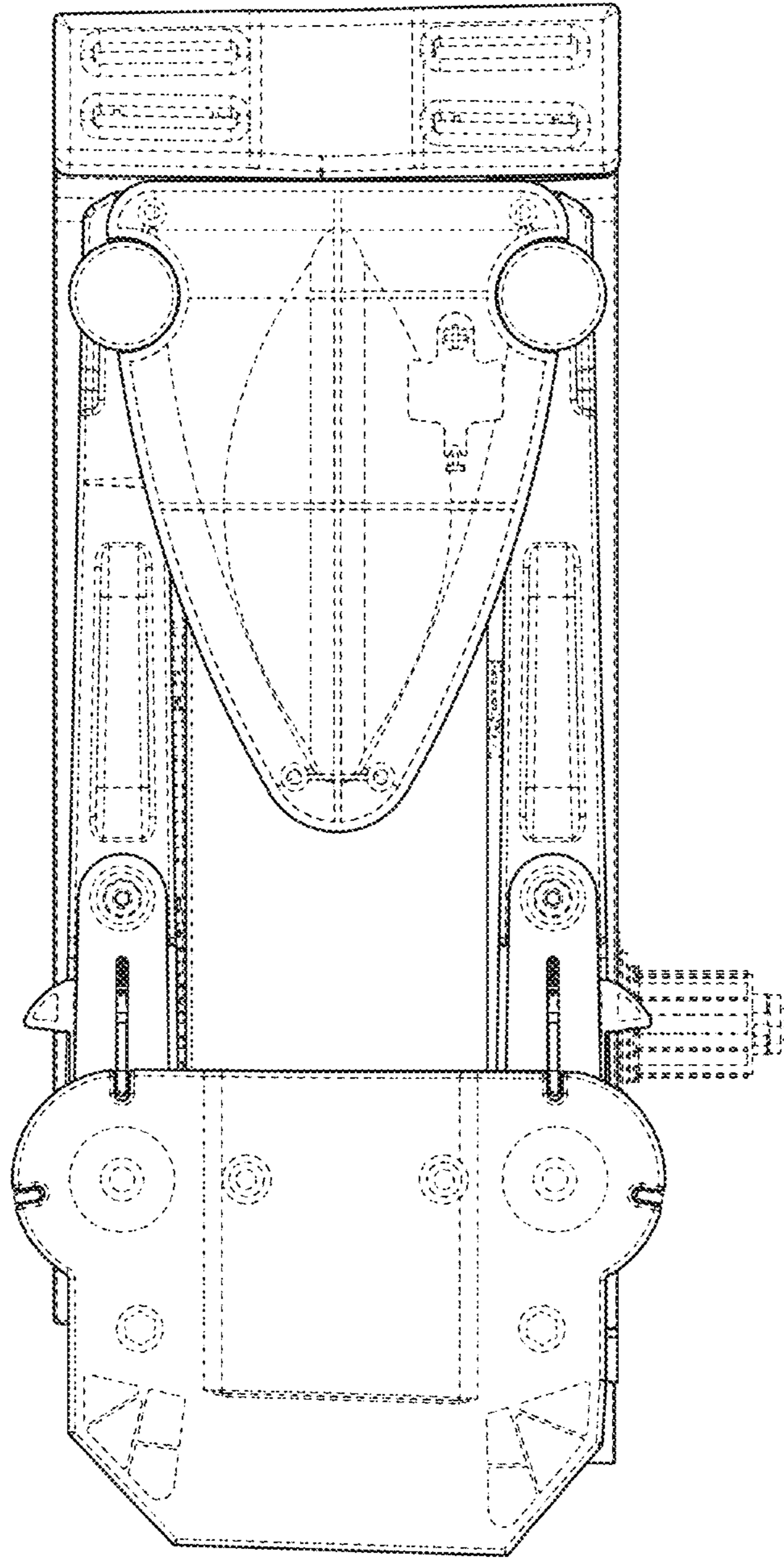


FIG. 14