



US00D825011S

(12) **United States Design Patent**  
**Wang et al.**

(10) **Patent No.:** **US D825,011 S**  
(45) **Date of Patent:** **\*\* Aug. 7, 2018**

(54) **ROBOTIC MODULE**

(71) Applicant: **Shenzhen Bell Creative Science and Education Co., Ltd., Shenzhen (CN)**

(72) Inventors: **Zuobing Wang, Shenzhen (CN); Sheng Zan, Shenzhen (CN)**

(73) Assignee: **Shenzhen Bell Creative Science and Education Co., Ltd., Shenzhen (CN)**

(\*\*) Term: **15 Years**

(21) Appl. No.: **29/608,810**

(22) Filed: **Jun. 26, 2017**

**Related U.S. Application Data**

(63) Continuation of application No. 29/583,545, filed on Nov. 7, 2016.

(51) **LOC (11) Cl.** ..... **21-01**

(52) **U.S. Cl.**  
USPC ..... **D21/578; D15/199**

(58) **Field of Classification Search**  
USPC ..... D15/199, 144; D21/578, 579, 576, D21/621-623, 624-627, 630; D24/185; D14/302, 307; D16/134, 219, 136, 208, D16/203

CPC . B25J 9/044; B25J 9/003; B25J 9/0078; B25J 9/102; B25J 18/00; B25J 18/002; B25J 18/04; B25J 18/007; B25J 15/00; B25J 15/0033; B25J 15/0038; A63H 27/12; A63H 30/04; A63H 33/005; A63H 33/26; A63H 33/04; A63H 33/042  
See application file for complete search history.

(56) **References Cited**

**U.S. PATENT DOCUMENTS**

D303,268 S \* 9/1989 Yamamoto ..... D16/134  
D412,924 S \* 8/1999 Hiraguchi ..... D16/203

D460,362 S \* 7/2002 Kalman ..... D10/1  
D567,673 S \* 4/2008 Chu ..... D10/15  
D592,159 S \* 5/2009 Ono ..... D13/180  
D726,798 S \* 4/2015 Neufeld ..... D16/203  
D741,931 S \* 10/2015 Huang ..... D16/202  
D741,936 S \* 10/2015 Chu ..... D16/219  
D749,662 S \* 2/2016 Chen ..... D16/203  
2015/0151196 A1 \* 6/2015 Bucci ..... A63F 9/24  
463/37

**OTHER PUBLICATIONS**

Slash Gear, iCamPRO home security “robot is an all-seeing eye”, posted Dec. 20, 2014, [online], [site visited May 17, 2018]. Available from Internet, <URL: <https://www.slashgear.com/icampro-home-security-robot-is-an-all-seeing-eye-20360248/>> (Year: 2014).\*

(Continued)

*Primary Examiner* — Sheryl Lane

*Assistant Examiner* — Samantha N Wood

(74) *Attorney, Agent, or Firm* — Bayes PLLC

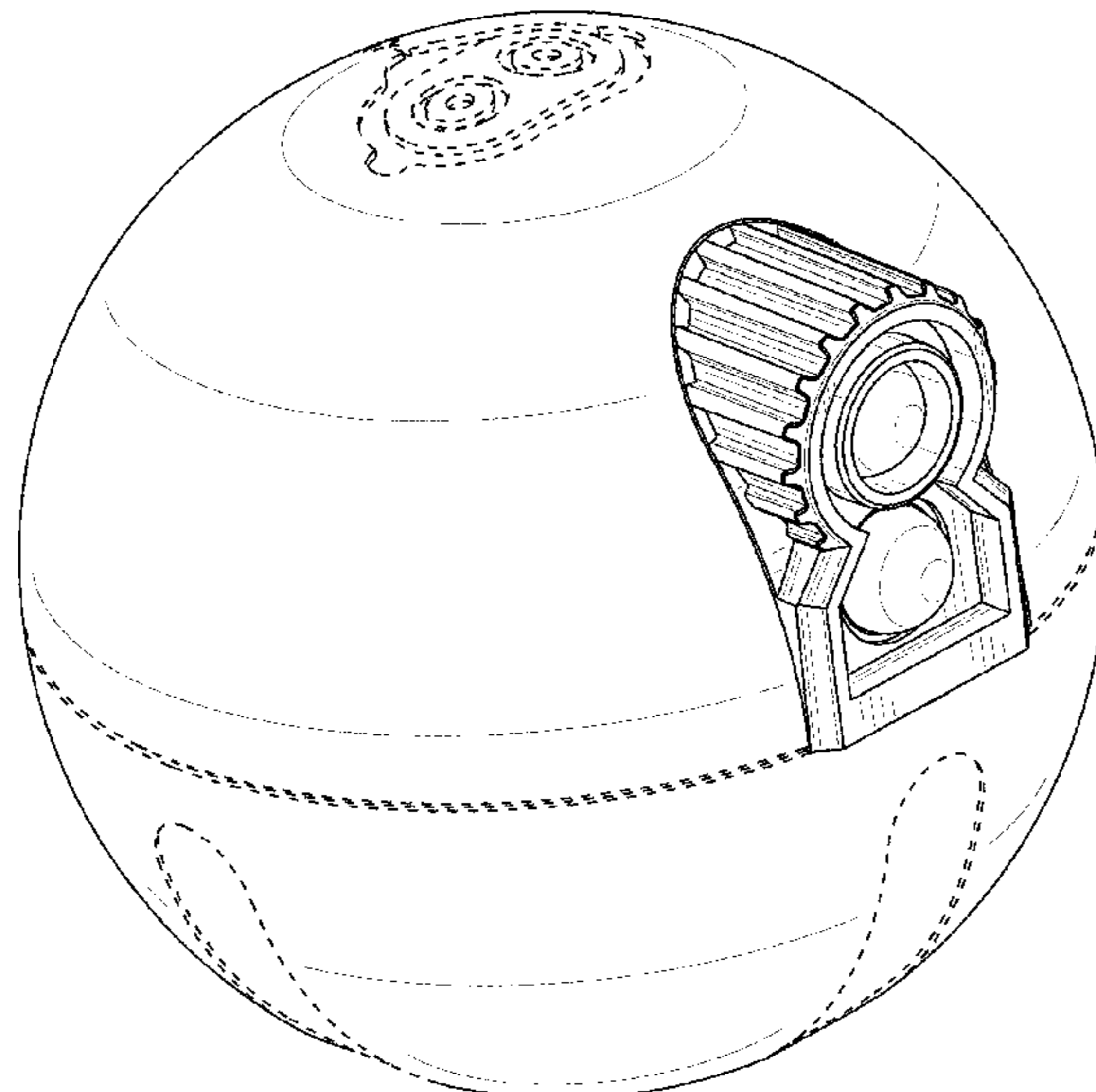
(57) **CLAIM**

The ornamental design for a robotic module, as shown and described.

**DESCRIPTION**

FIG. 1 is a top front perspective view of a robotic module showing the claimed design;  
FIG. 2 is a front view thereof;  
FIG. 3 is a rear view thereof;  
FIG. 4 is a left side view thereof;  
FIG. 5 is a right side view thereof;  
FIG. 6 is a top view thereof; and,  
FIG. 7 is a bottom view thereof.  
The broken lines in the figures show portions of the robotic module that form no part of the claimed design.

**1 Claim, 7 Drawing Sheets**



(56)

**References Cited**

OTHER PUBLICATIONS

Network India, MWC 2016—LG's Latest Ball-Like Robot is like your very own BB8, posted Feb. 23, 2016, [online], [site visited May 17, 2018]. Available from Internet, <URL: <http://www.networkedindia.com/2016/02/23/mwc-2016-lgs-latest-ball-like-robot-is-like-your-very-own-bb8/>> (Year: 2016).\*

Electric Pig, WowWee Spyball rolls out spherical snooping, posted Jan. 6, 2009, [online], [site visited May 17, 2018]. Available from Internet, <URL: <http://www.electricpig.co.uk/2009/01/07/wow-wee-spyball-rolls-out-spherical-snooping/spyball-back/index.html>> (Year: 2009).\*

Etoy Tumblr, Snowballcam—filming Spherical Robot, posted 2011, [online], [site visited May 17, 2018]. Available from Internet, <URL: <http://etoy.tumblr.com/post/5007938430/snowballcam-filming-spherical-robot-for-a>> (Year: 2011).\*

\* cited by examiner

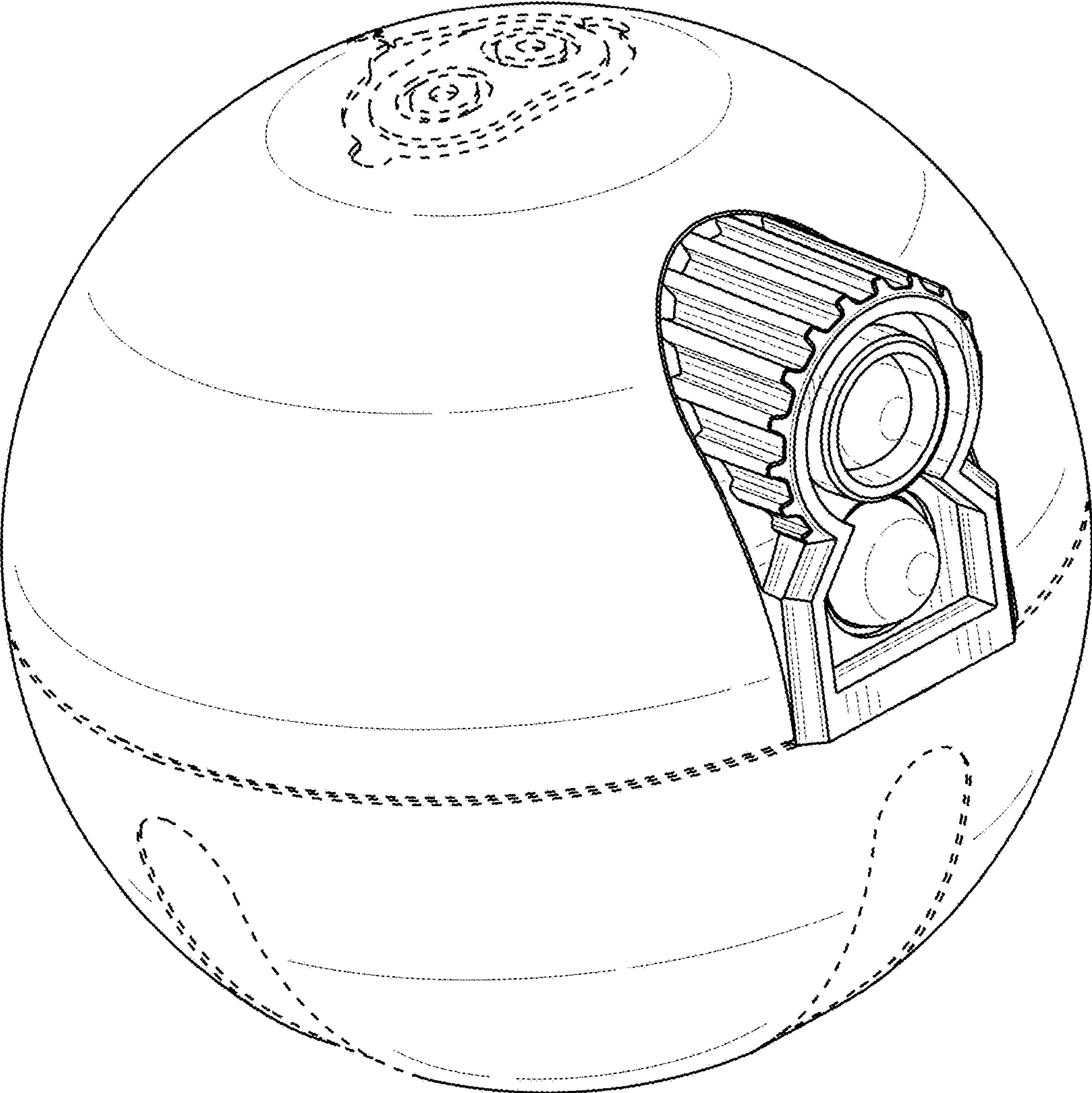


FIG. 1

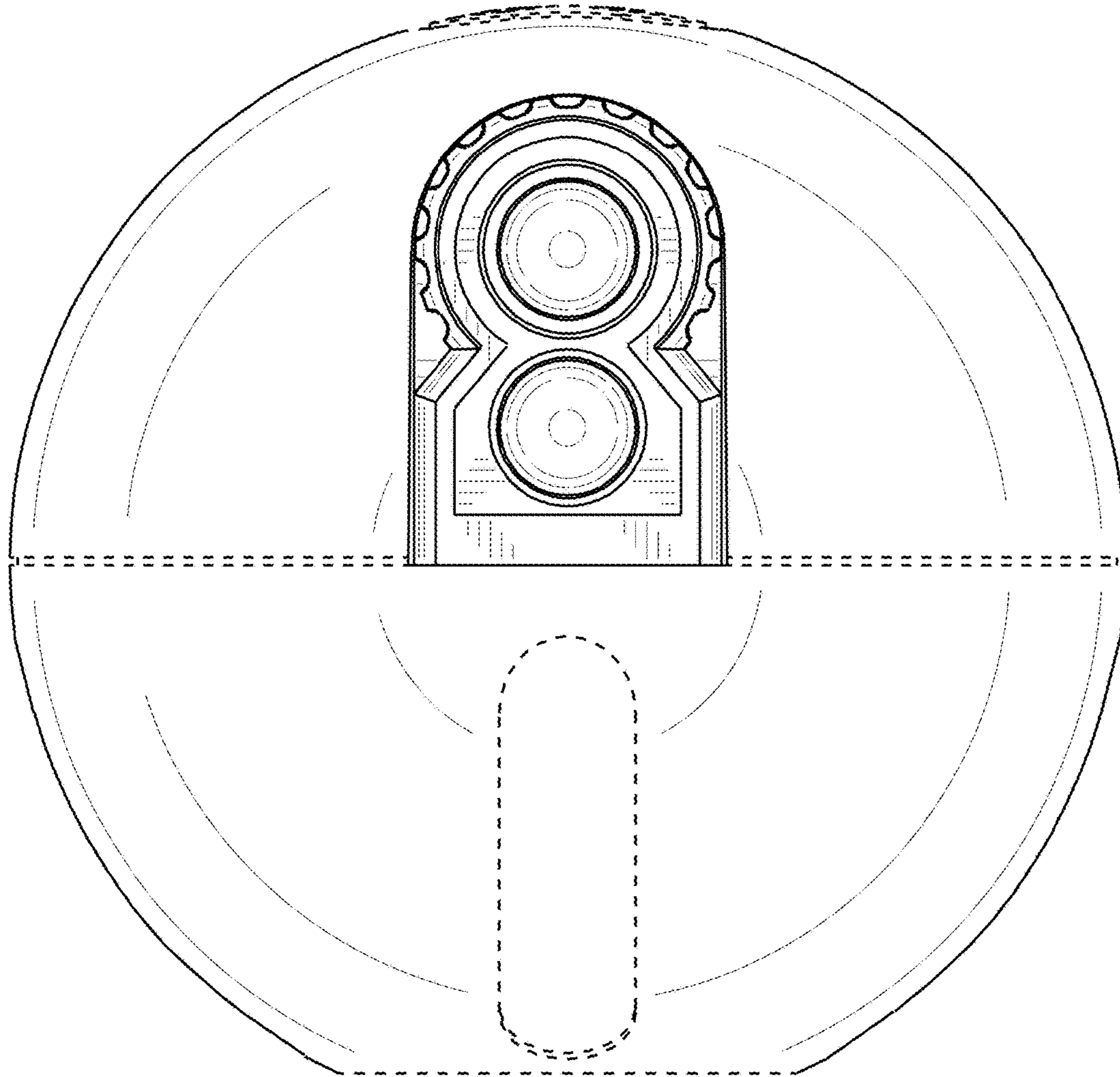


FIG. 2

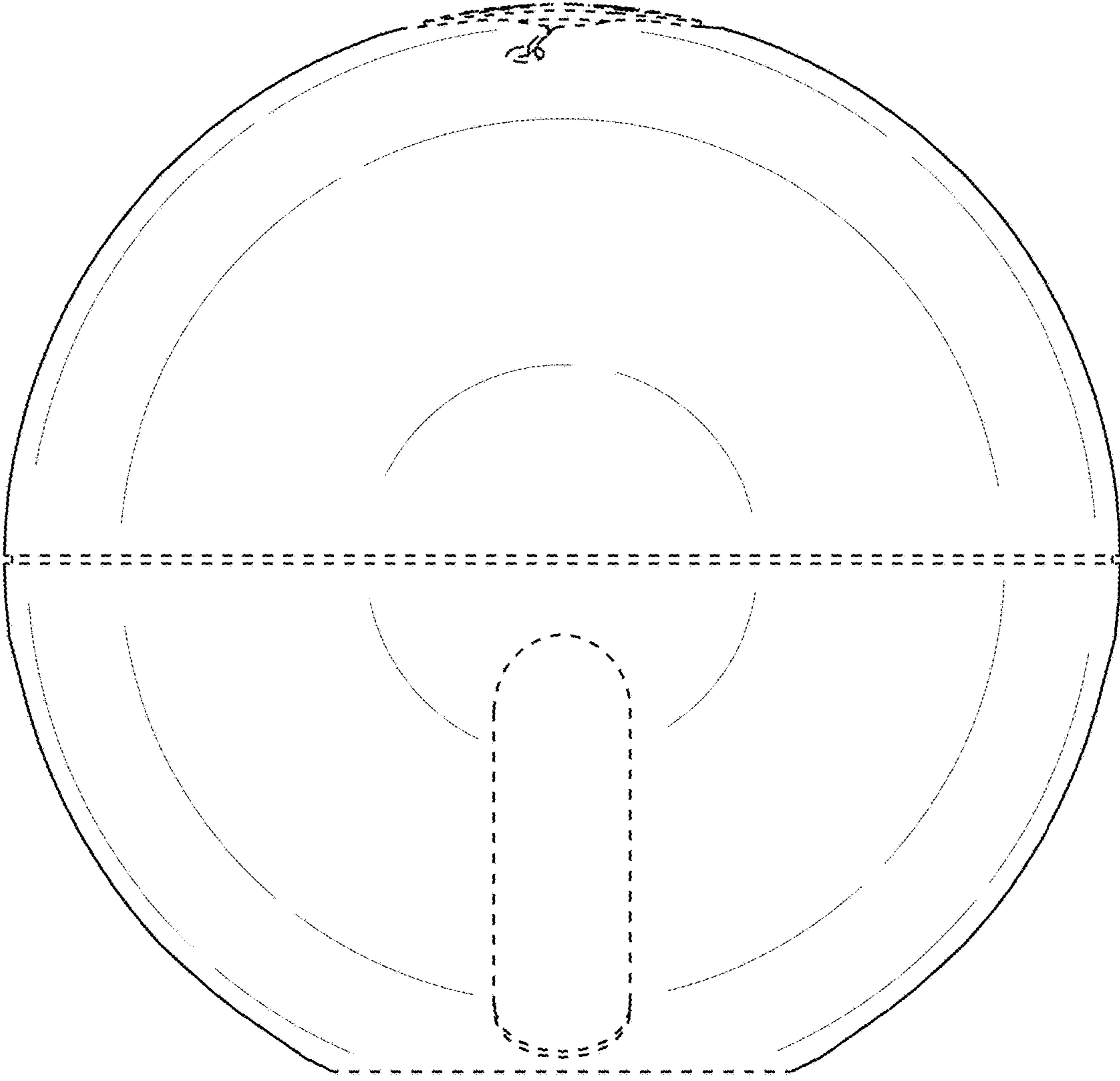


FIG. 3

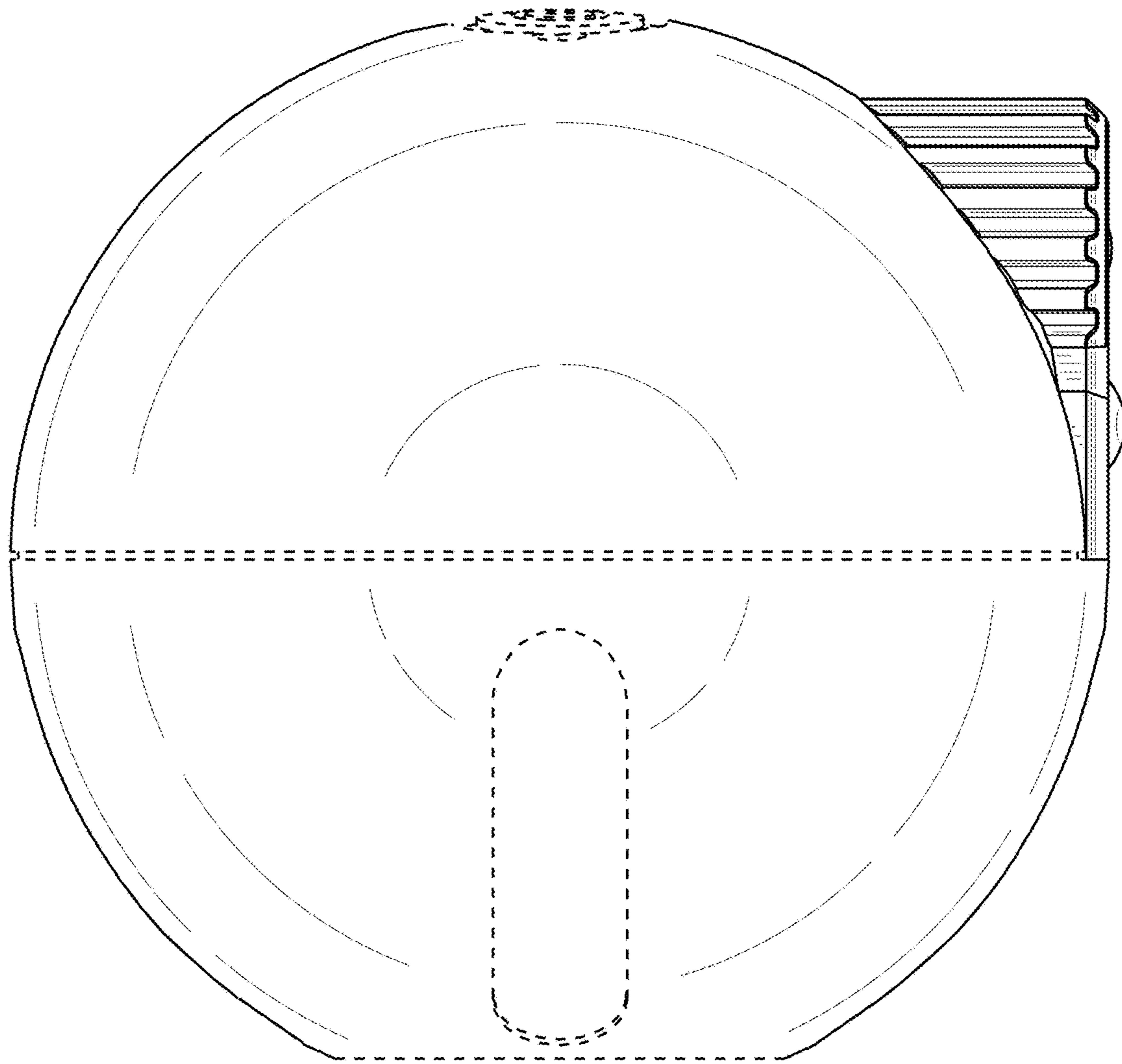


FIG. 4

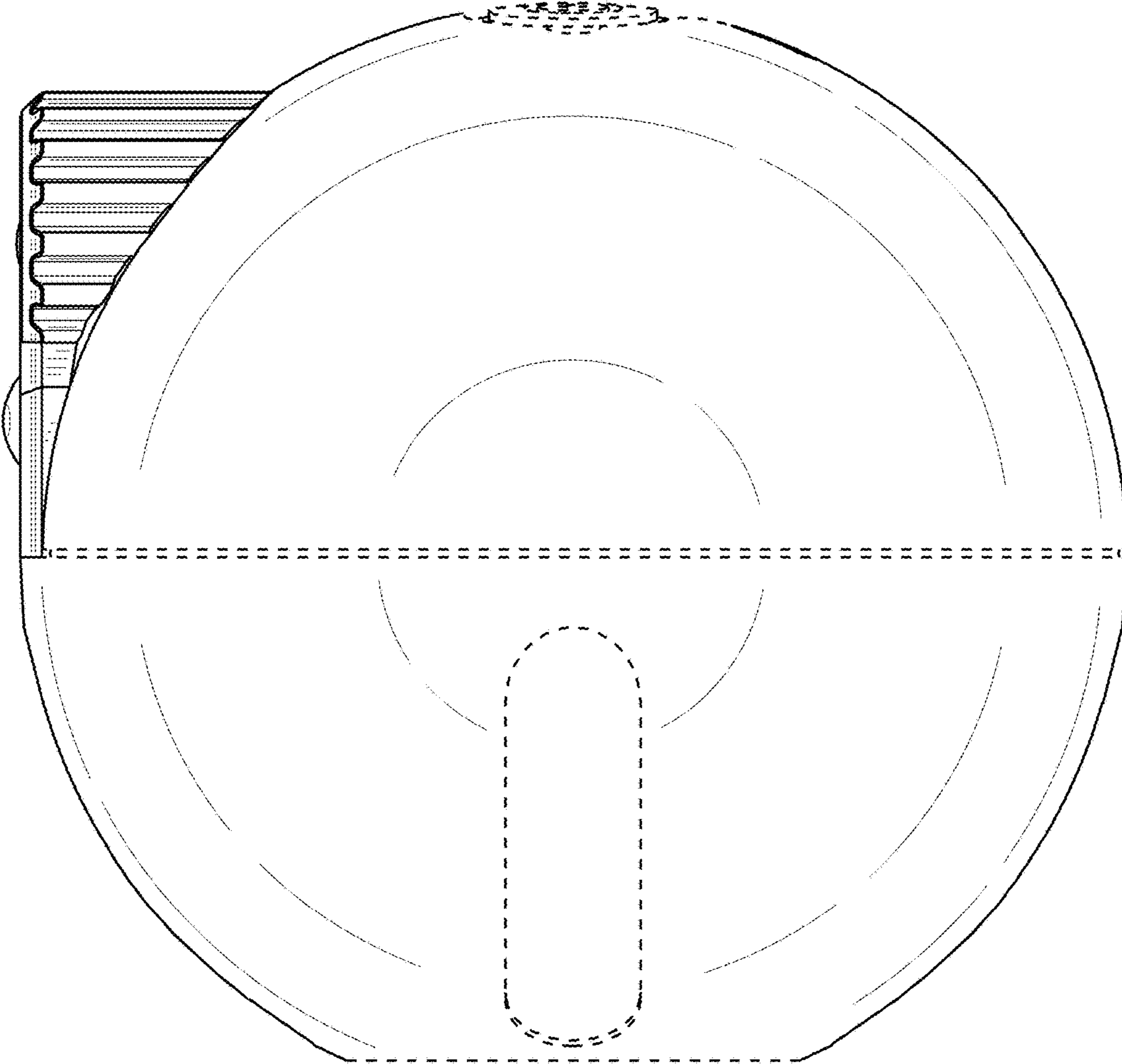


FIG. 5

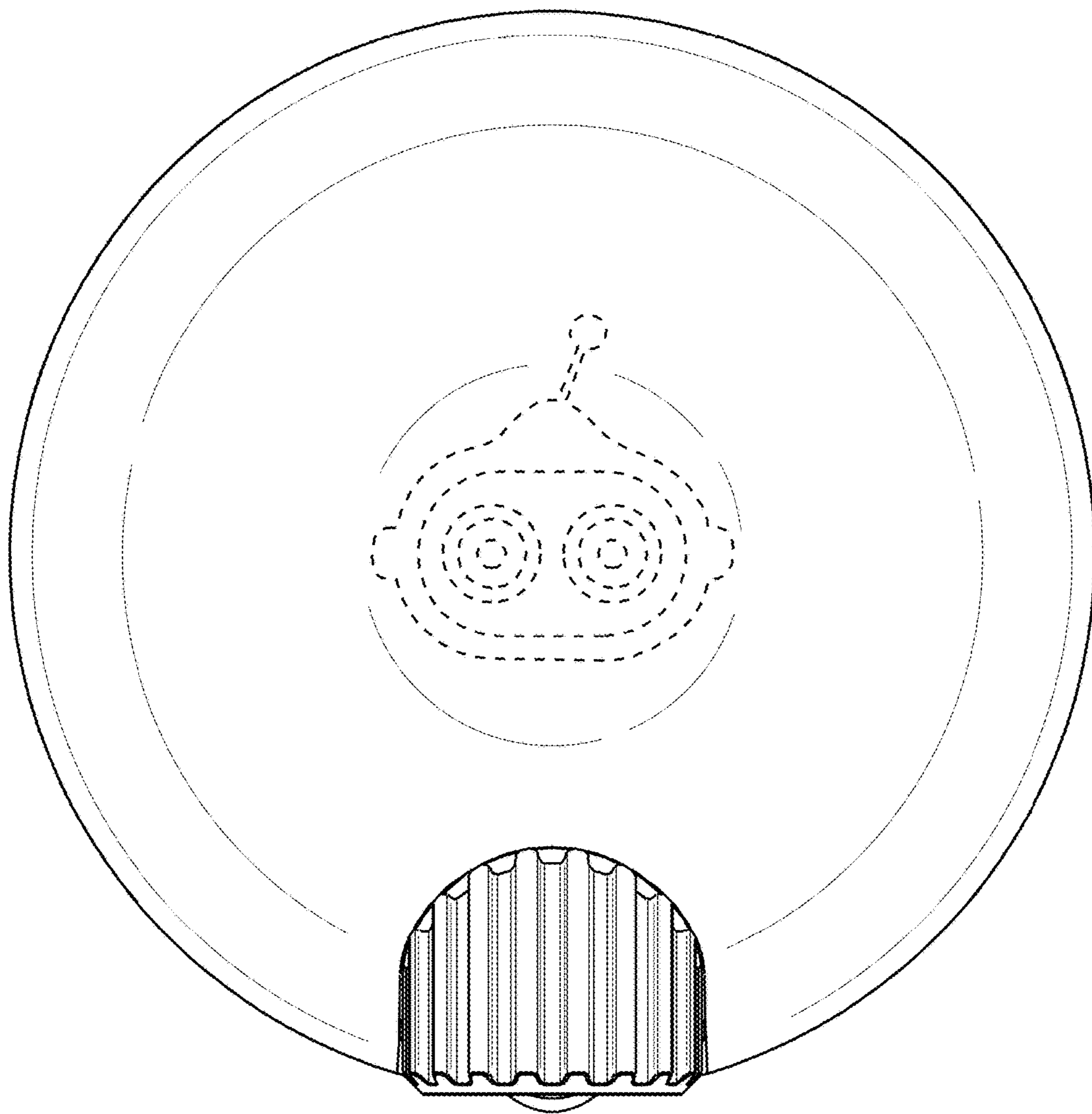


FIG. 6



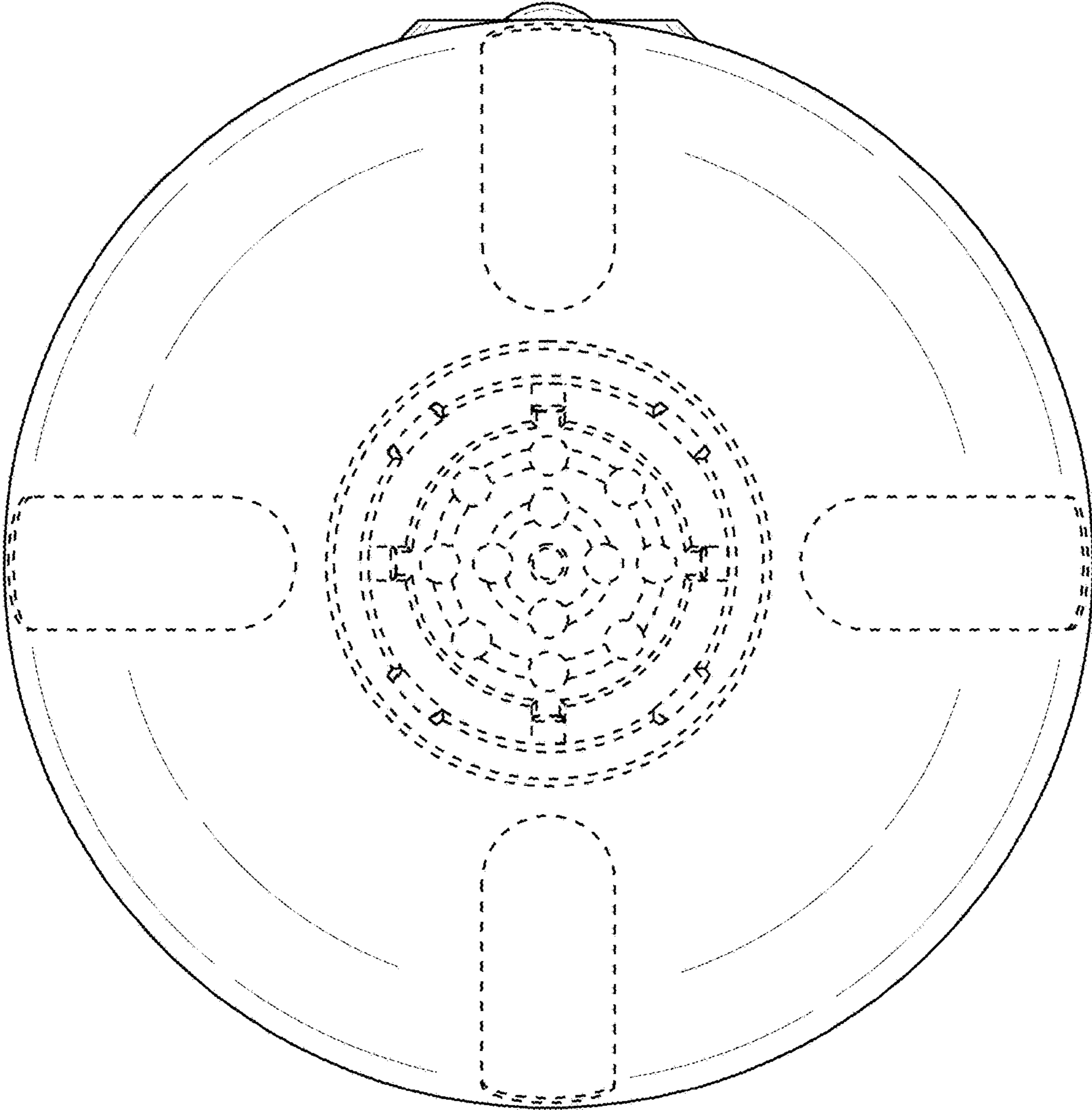


FIG. 7