



US00D825009S

(12) **United States Design Patent**
Kamiyama

(10) **Patent No.:** **US D825,009 S**

(45) **Date of Patent:** **** Aug. 7, 2018**

(54) **TOY TRAIN**
(71) Applicant: **EPOCH COMPANY, LTD.**, Taito-ku,
Tokyo (JP)
(72) Inventor: **Kei Kamiyama**, Tokyo (JP)
(73) Assignee: **EPOCH Company Ltd.**, Tokyo (JP)
(**) Term: **15 Years**

6,565,410 B1 * 5/2003 Allen A63H 19/24
446/454
D484,195 S * 12/2003 Shippy D21/540
D509,576 S * 9/2005 Williams D23/297
D588,650 S * 3/2009 Yen D21/427
D647,575 S * 10/2011 Inoue D21/541
D718,568 S * 12/2014 Free D7/332
D751,653 S * 3/2016 Champ D21/541
D811,490 S * 2/2018 Libby D21/522
2005/0112985 A1 * 5/2005 Ciccarelli A63H 19/15
446/80

(21) Appl. No.: **29/591,407**
(22) Filed: **Jan. 19, 2017**

* cited by examiner

Primary Examiner — Robin V Webster
Assistant Examiner — Keith J Wilson
(74) *Attorney, Agent, or Firm* — Fitzgerald IP Law; John
K Fitzgerald

(30) **Foreign Application Priority Data**

Jul. 20, 2016 (JP) 2016-015402

(51) **LOC (11) Cl.** **21-01**
(52) **U.S. Cl.**
USPC **D21/541**; D12/37; D12/38

(57) **CLAIM**

The ornamental design for a toy train, as shown and described.

(58) **Field of Classification Search**
USPC D21/425, 534, 541; D12/37, 38
CPC A63H 21/00; A63H 21/04; A63H 19/00;
A63H 19/02; A63H 19/04; A63H 19/10;
A63H 19/16; A63H 19/18; Y10S 104/01
See application file for complete search history.

DESCRIPTION

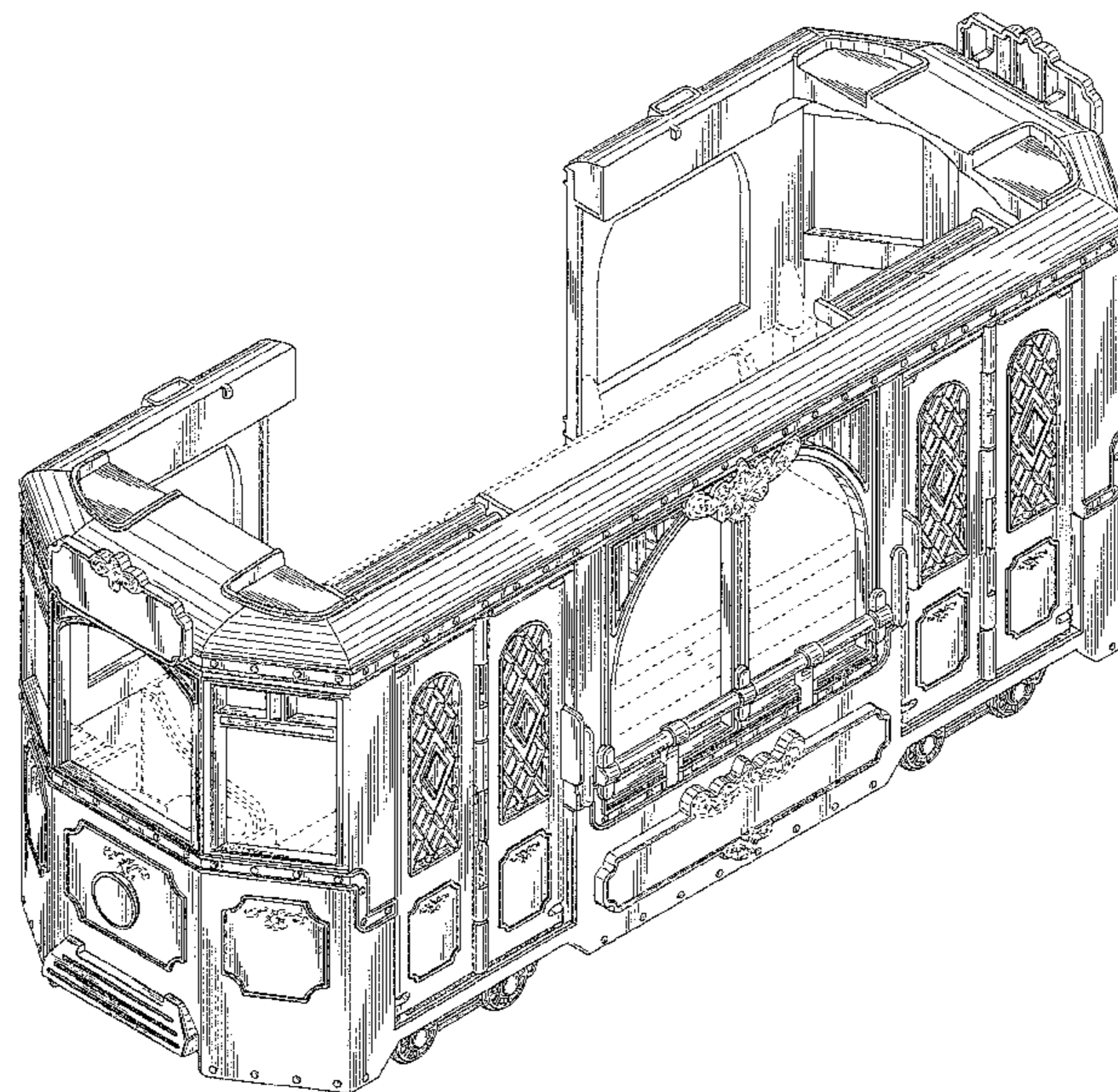
FIG. 1 is a perspective view showing the roof, front, left side, and a portion of the interior of a toy train, showing my new design;
FIG. 2 is a reversed view of the toy train of FIG. 1 showing the roof, rear, right side, and a portion of the interior, thereof;
FIG. 3 is a left view thereof;
FIG. 4 is a right view thereof;
FIG. 5 is an overhead view thereof;
FIG. 6 is a front view thereof; and,
FIG. 7 is a rear view thereof.
The broken lines shown in the drawing disclosure are for illustrative purposes only and form no part of the claimed design.

(56) **References Cited**

U.S. PATENT DOCUMENTS

D351,447 S * 10/1994 Barnes D21/541
5,427,561 A * 6/1995 Eichhorn A63H 19/00
104/DIG. 1
D381,709 S * 7/1997 Petersson D21/540
D459,568 S * 6/2002 Glenn D99/30
6,428,008 B1 * 8/2002 Singer B60P 3/025
273/447
6,554,681 B1 * 4/2003 Tammera A63H 19/15
446/288

1 Claim, 7 Drawing Sheets



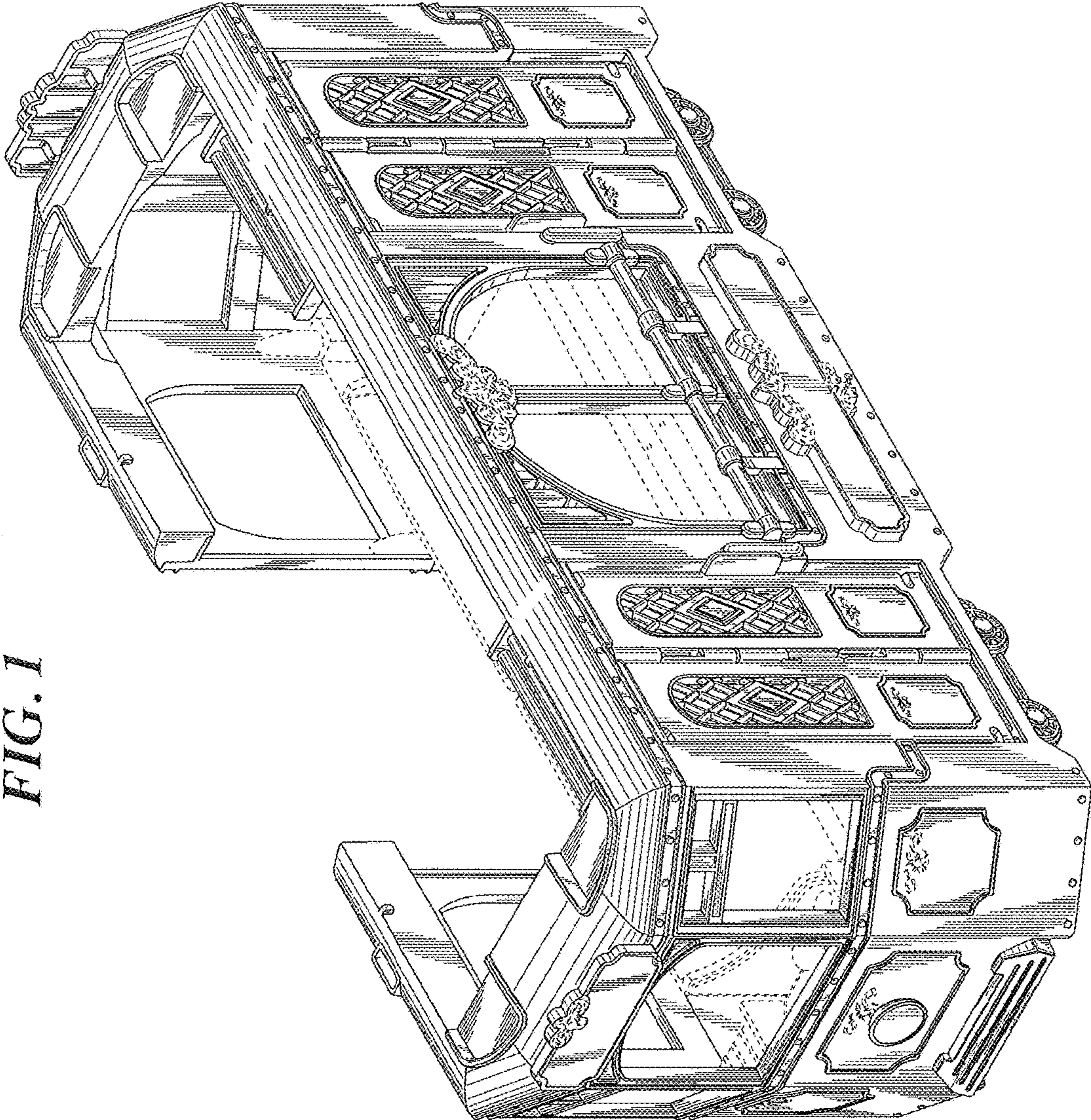


FIG. 1

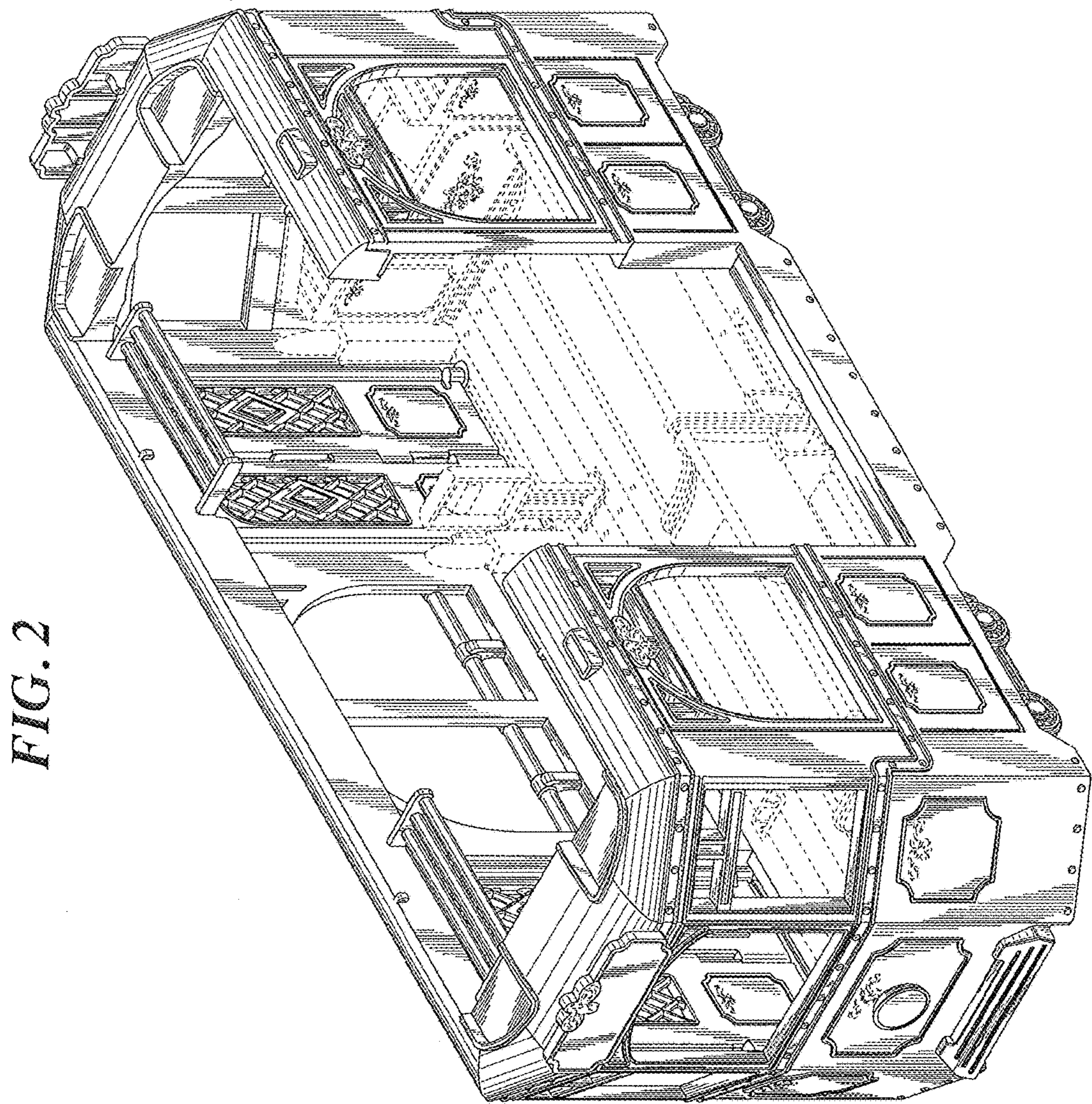


FIG. 2

FIG. 3

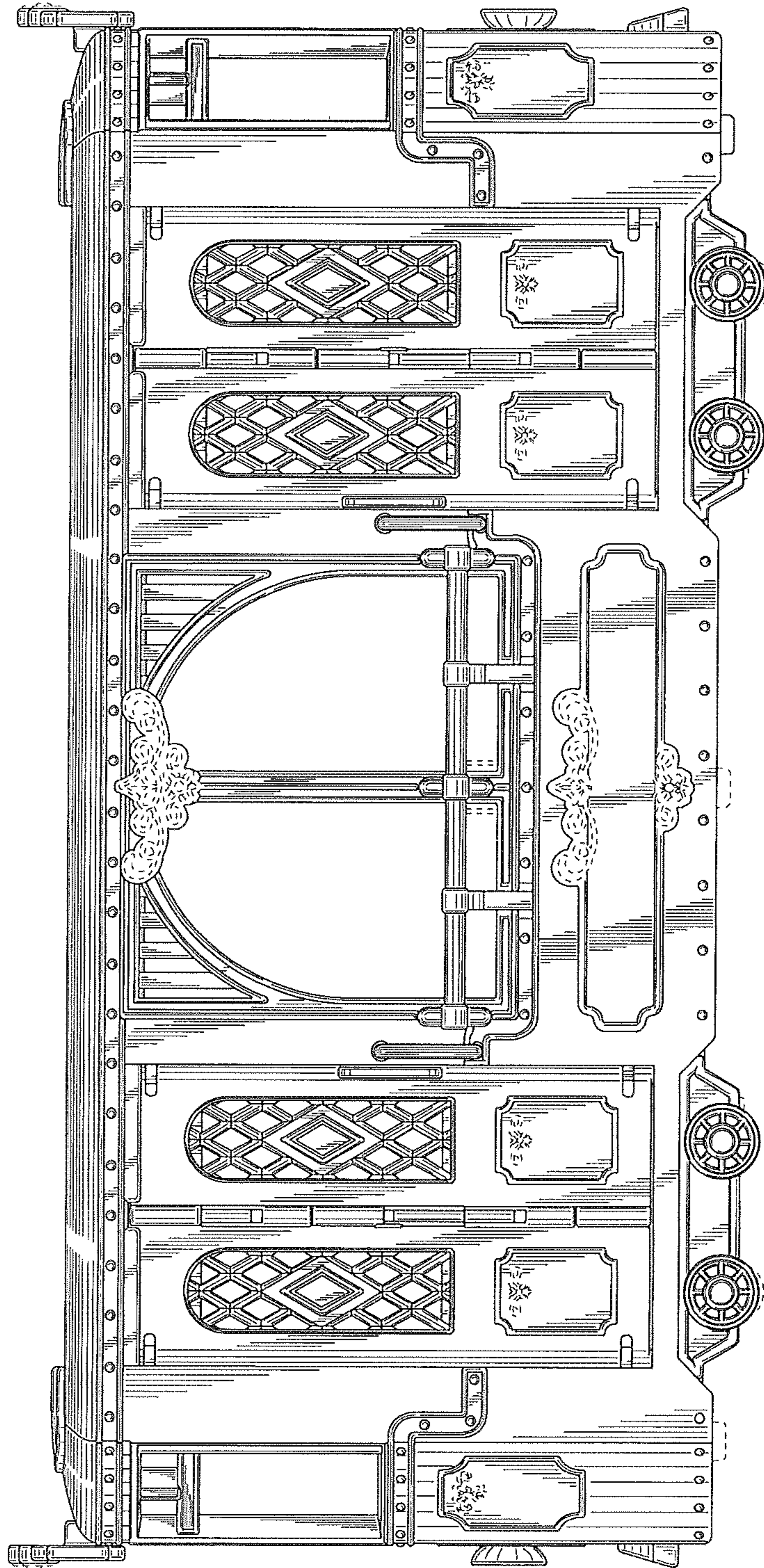


FIG. 4

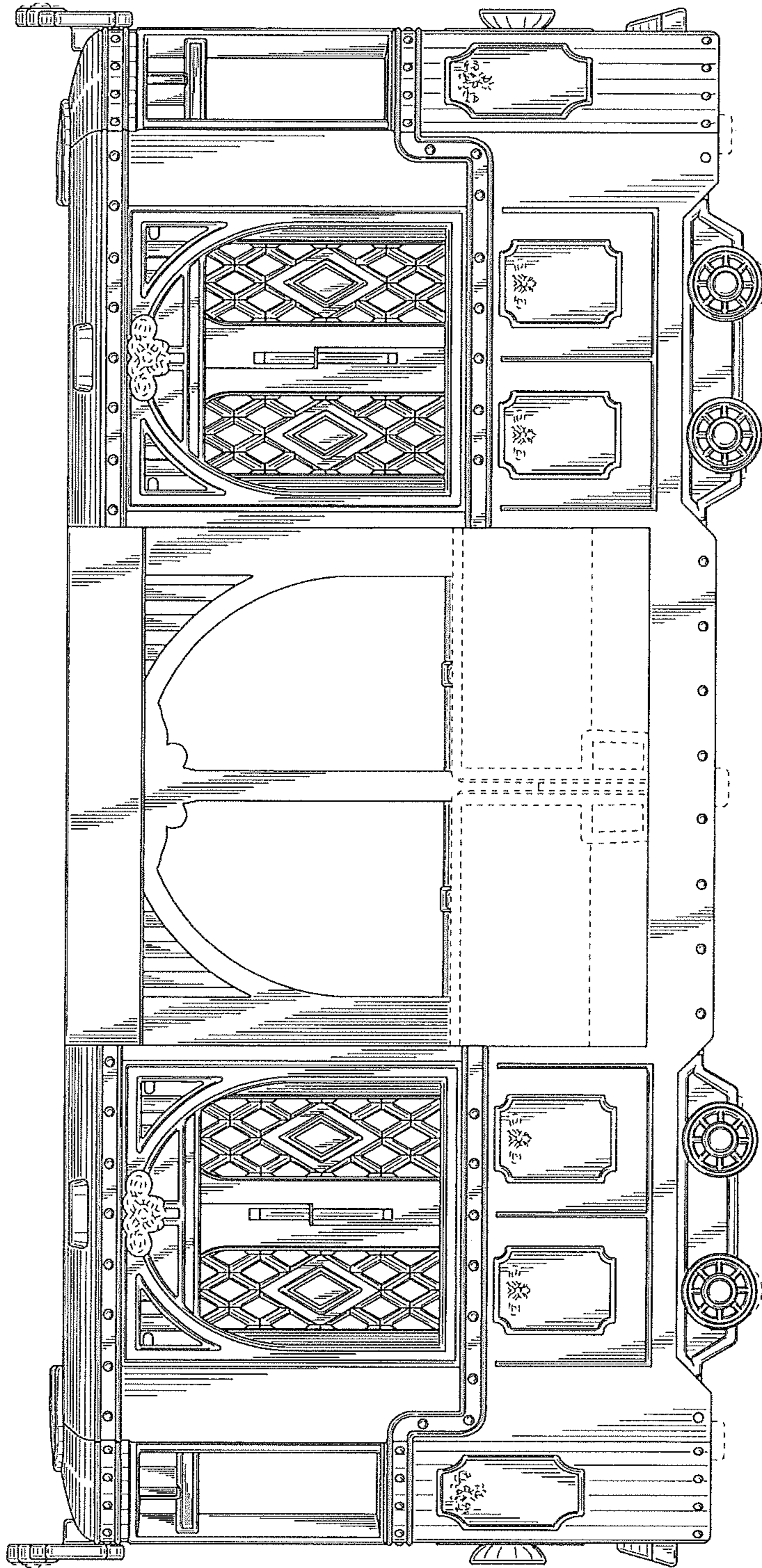


FIG. 5

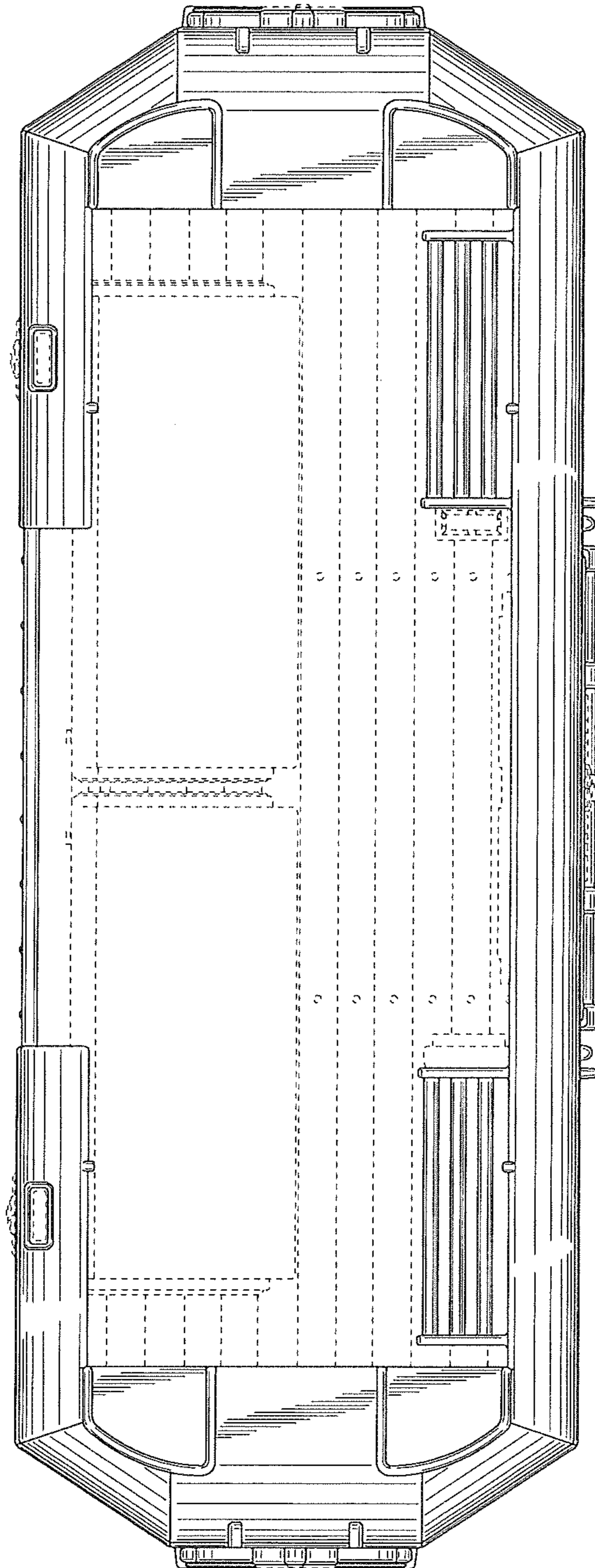


FIG. 6

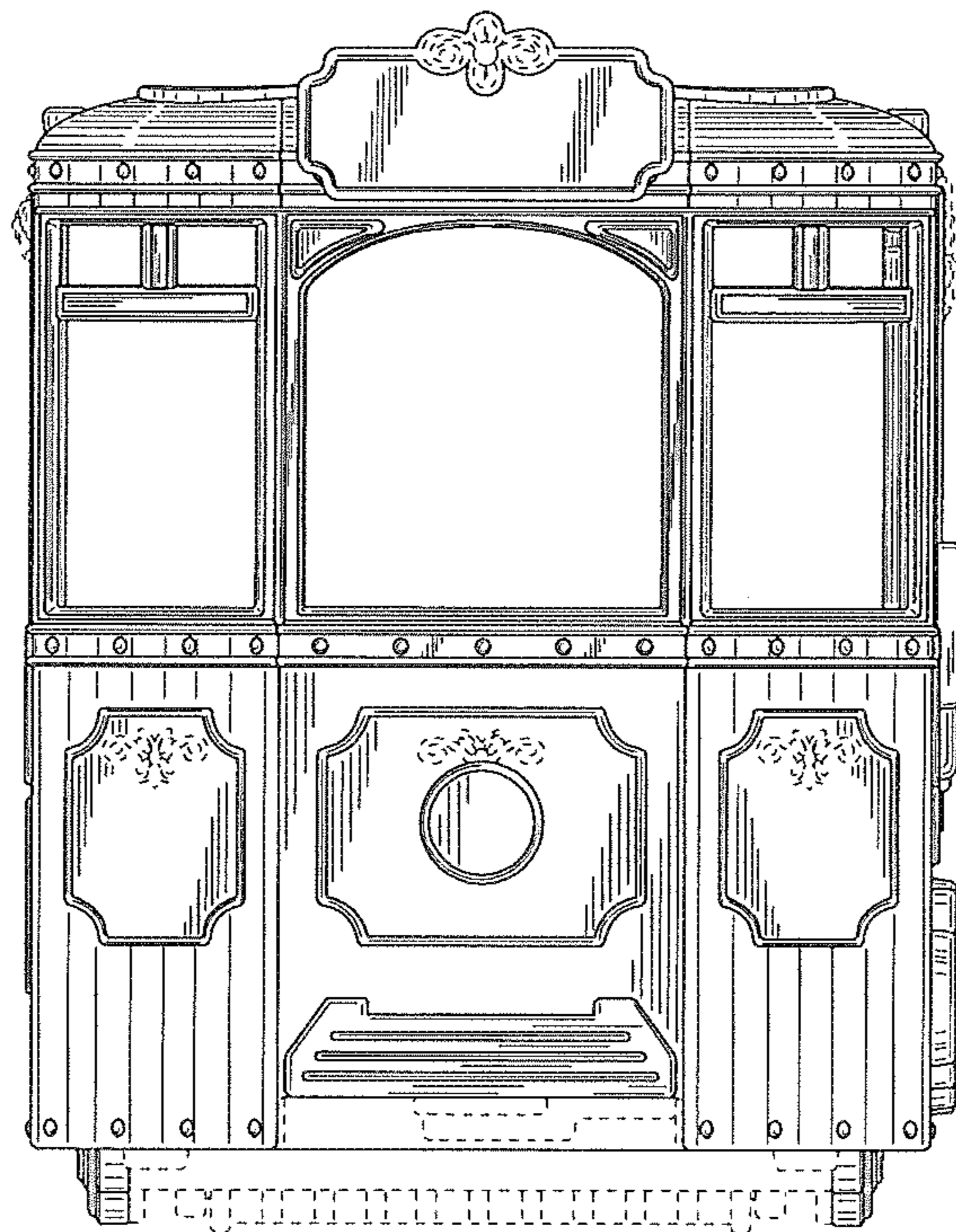


FIG. 7

