



US00D825008S

(12) **United States Design Patent**
Follett

(10) **Patent No.:** **US D825,008 S**

(45) **Date of Patent:** **** Aug. 7, 2018**

(54) **FLEXIBLE OVEN AND STOVE PLAYSET**

D478,946 S * 8/2003 Franta D21/524
6,851,749 B2 2/2005 Norman
7,094,126 B1 * 8/2006 Lenihan A63H 33/3055
446/481

(71) Applicant: **Kangaroo Manufacturing, Inc.**,
Tempe, AZ (US)

(Continued)

(72) Inventor: **Desiree Follett**, Gilbert, AZ (US)

FOREIGN PATENT DOCUMENTS

(**) Term: **15 Years**

CN 304112229 * 4/2017

(21) Appl. No.: **29/603,994**

OTHER PUBLICATIONS

(22) Filed: **May 15, 2017**

(51) **LOC (11) Cl.** **21-01**

(52) **U.S. Cl.**

USPC **D21/524**

(58) **Field of Classification Search**

USPC D21/524; D7/339-341, 346-350.1

CPC A63H 33/30; A63H 3/52; A63H 33/42

See application file for complete search history.

Amazon.com: Melissa & Doug Wooden Chef's Pretend Play Toy Kitchen, oldest review 2016, [https://www.amazon.com/Melissa-Doug-Pretend-Kitchen-Dispenser/dp/B01B1V32N8/ref . . .](https://www.amazon.com/Melissa-Doug-Pretend-Kitchen-Dispenser/dp/B01B1V32N8/ref...), site visited Feb. 14, 2018 (Year: 2016).*

(Continued)

(56) **References Cited**

Primary Examiner — John Windmuller

Assistant Examiner — John R Yeh

(74) *Attorney, Agent, or Firm* — Goldstein Law Offices, P.C.

U.S. PATENT DOCUMENTS

- D24,519 S * 7/1895 Bailey D21/524
- D141,570 S * 6/1945 Brunetti D21/524
- D164,255 S * 8/1951 Neuls D21/524
- D207,265 S * 3/1967 Blumenthal D21/524
- D240,845 S * 8/1976 Hoel et al. D21/524
- D260,274 S * 8/1981 Appel D21/524
- D261,159 S * 10/1981 Rapaport D21/524
- D261,160 S * 10/1981 Rapaport D21/524
- D261,404 S * 10/1981 Appel D21/524
- D263,612 S * 3/1982 Snyder D21/524
- D277,020 S * 1/1985 Mariol D21/524
- D277,204 S * 1/1985 Nottingham D21/524
- 4,515,359 A * 5/1985 Mariol A63H 33/3055
108/33
- 5,354,118 A 10/1994 Barry
- D366,292 S * 1/1996 Monneret D21/524
- D382,921 S * 8/1997 Pipik D21/524
- D396,072 S * 7/1998 Katzman D21/524
- 5,910,037 A * 6/1999 Bach A63H 33/04
434/80
- 5,971,833 A * 10/1999 Rasmussen G09F 5/00
40/539

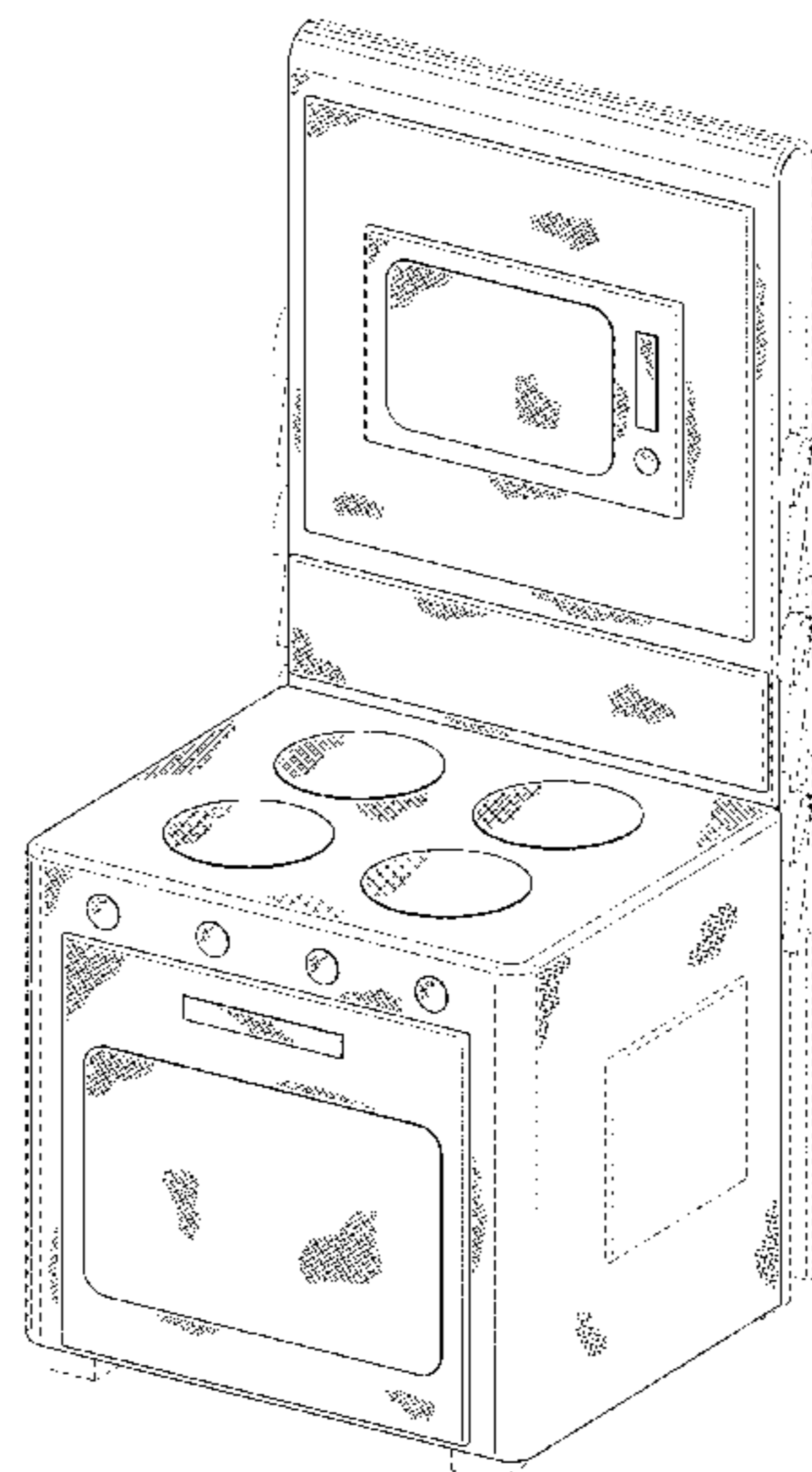
(57) **CLAIM**

The ornamental design for a flexible oven and stove playset, as shown and described herein.

DESCRIPTION

FIG. 1 is a front perspective view of my flexible oven and stove playset;
FIG. 2 is a front view thereof;
FIG. 3 is a rear elevation view thereof;
FIG. 4 is a left side elevation view thereof;
FIG. 5 is a right side view thereof;
FIG. 6 is a top view thereof; and,
FIG. 7 is a bottom view thereof.
The broken lines in the figures illustrate portions of the flexible oven and stove playset which form no part of the claimed invention.

1 Claim, 6 Drawing Sheets



(56)

References Cited

U.S. PATENT DOCUMENTS

| | | | | |
|--------------|------|---------|-----------------|-------------------------------|
| 7,156,458 | B2 | 1/2007 | Hanberg | |
| D668,303 | S * | 10/2012 | Desberg | D21/524 |
| 8,770,663 | B2 | 7/2014 | Zack | |
| 9,365,136 | B2 | 6/2016 | Strmiska et al. | |
| 9,808,736 | B2 * | 11/2017 | Su | A63H 33/30 |
| 2003/0227202 | A1 | 12/2003 | Endicott et al. | |
| 2012/0187732 | A1 | 7/2012 | Lerm | |
| 2012/0225605 | A1 * | 9/2012 | Fein | A63H 33/3055 446/481 |
| 2012/0326475 | A1 | 12/2012 | Campbell | |
| 2013/0324241 | A1 * | 12/2013 | Elliott | A63F 13/90 463/31 |
| 2017/0197155 | A1 * | 7/2017 | Su | A63H 33/30 |

OTHER PUBLICATIONS

NPL pinterest pin of fabric kitchen playset website 2018, <https://www.pinterest.com/pin/551057704384714760/>, site visited Feb. 19, 2018 (Year: 2018).*

Pinterest.com, Chair Cover Play Kitchen, accessed Oct. 24, 2016, one page.
 Chloebernardi.com, Cuisiniere Mila, accessed Oct. 24, 2016, 3 pages.
 Inspiringhow.com, Tablet Cases/ E-book Cover DIY Tutorial, accessed Oct. 25, 2016, 6 pages.
 Pinterest.com, Joyful Adventures Fridge and Store, accessed Oct. 25, 2016, one page.
 Sew4home.com, Make Your Own Grocery Bags, accessed Oct. 25, 2016, 3 pages.
 Pinterest.com, accessed Oct. 25, 2016, one page.
 Pinterest.com, Play Kitchen Chair Cover, accessed Oct. 24, 2016, one page.
 Pinterest.com, Play Kitchen Chair Cover—Space Saving Pretend Role Play Toy Tent, accessed Oct. 24, 2016, one page.
 Etsy.com, Play Kitchen Chair Cover Space—Saving, accessed Oct. 24, 2016, 3 pages.
 Etsy.com, Woodhut, Play Kitchen Stove Chair Cover Cloth Kitchen Chair, accessed Oct. 24, 2016, 4 pages.
 Pinterest.com, Stove and oven Chair Cover, accessed Oct. 24, 2016, one page.

* cited by examiner

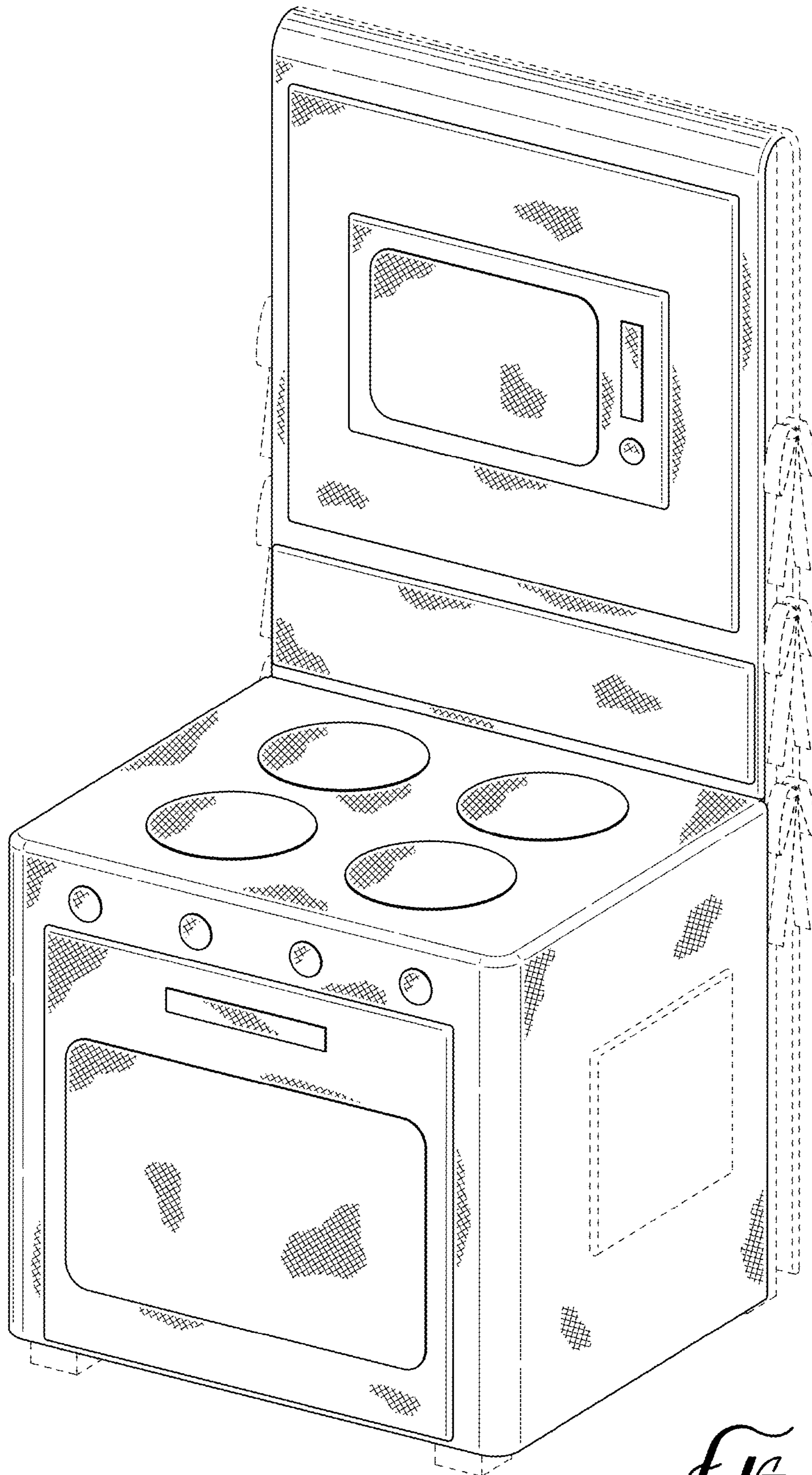


FIG. 1

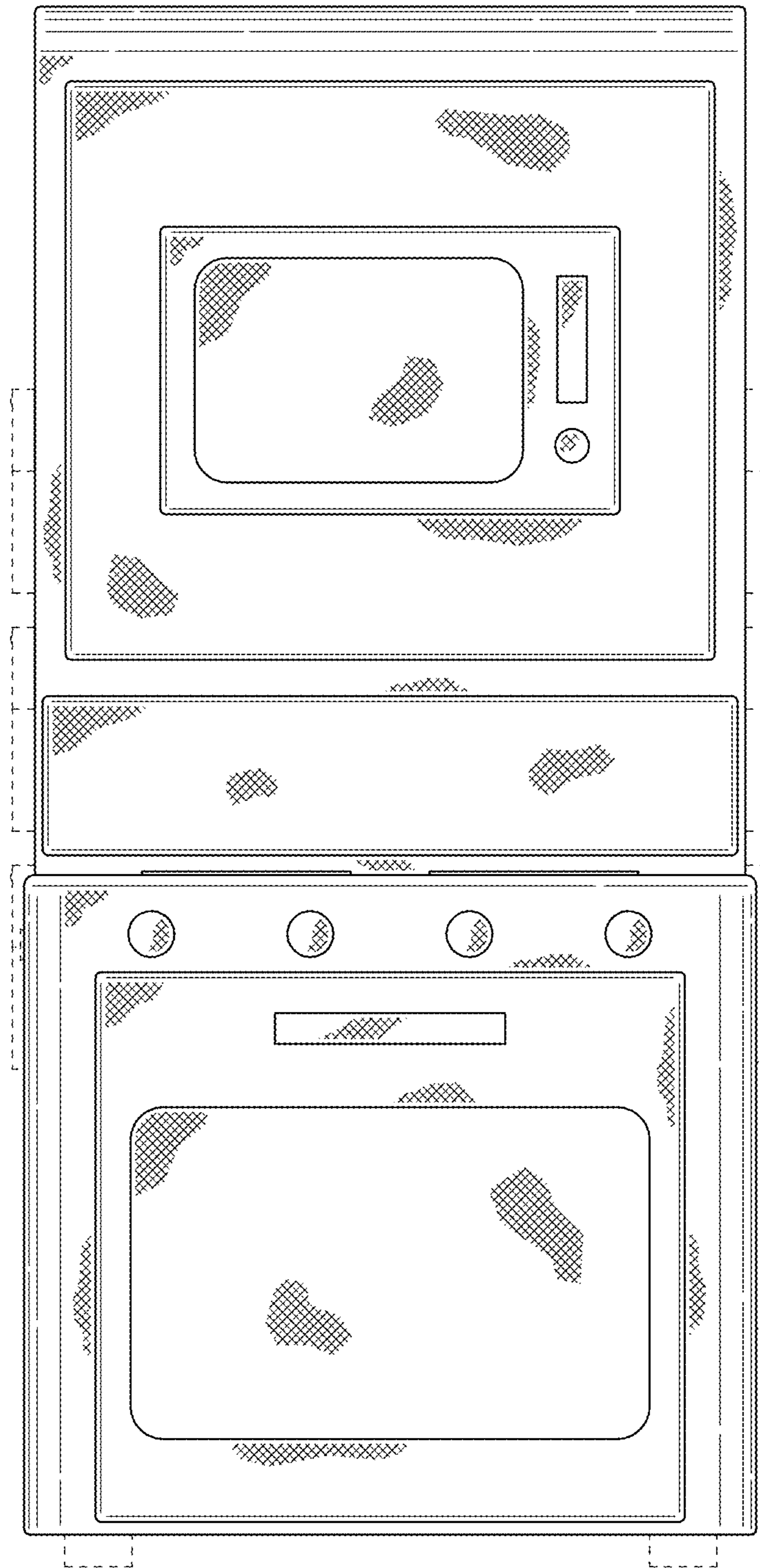


FIG. 2

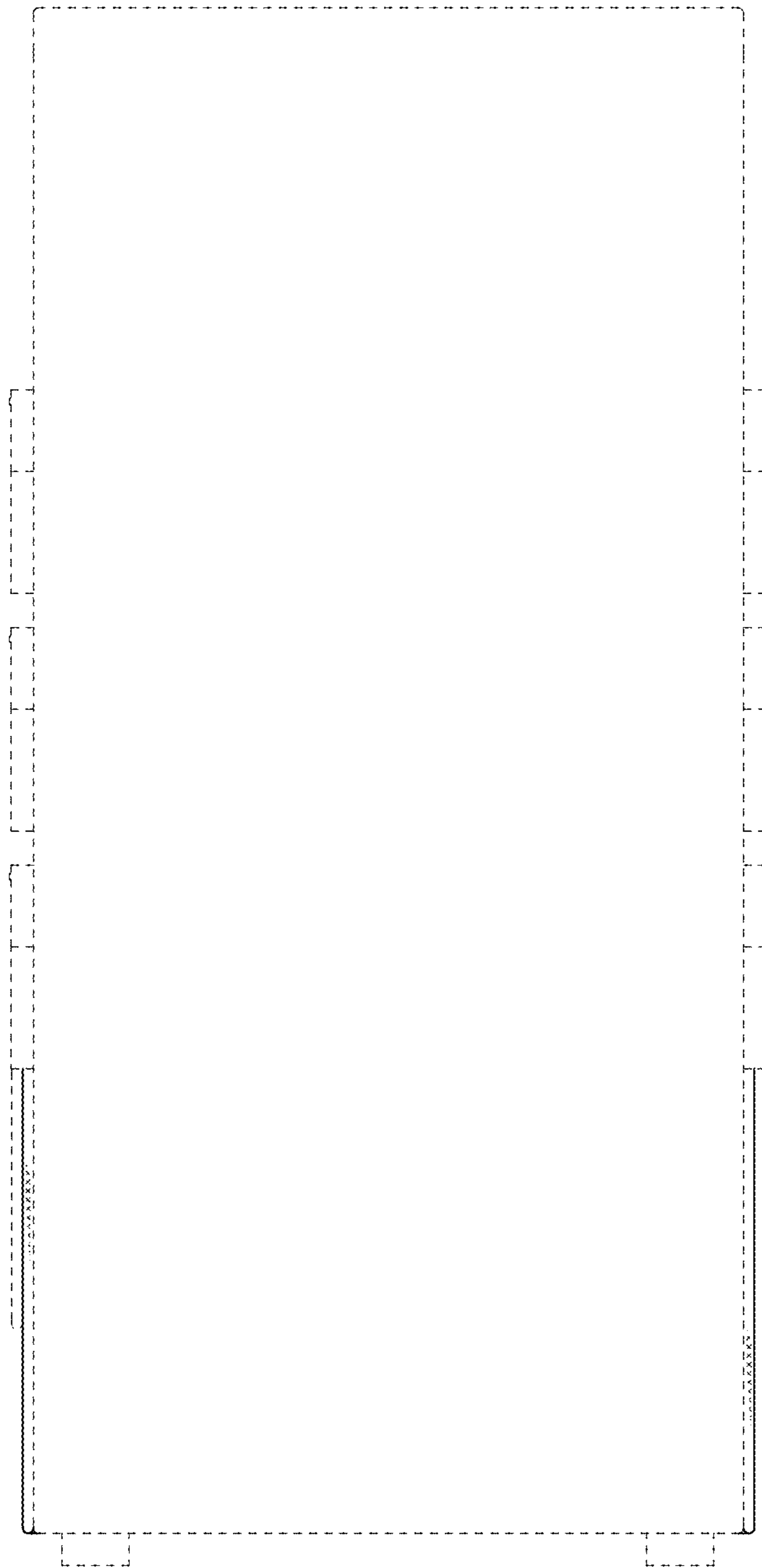


FIG. 3

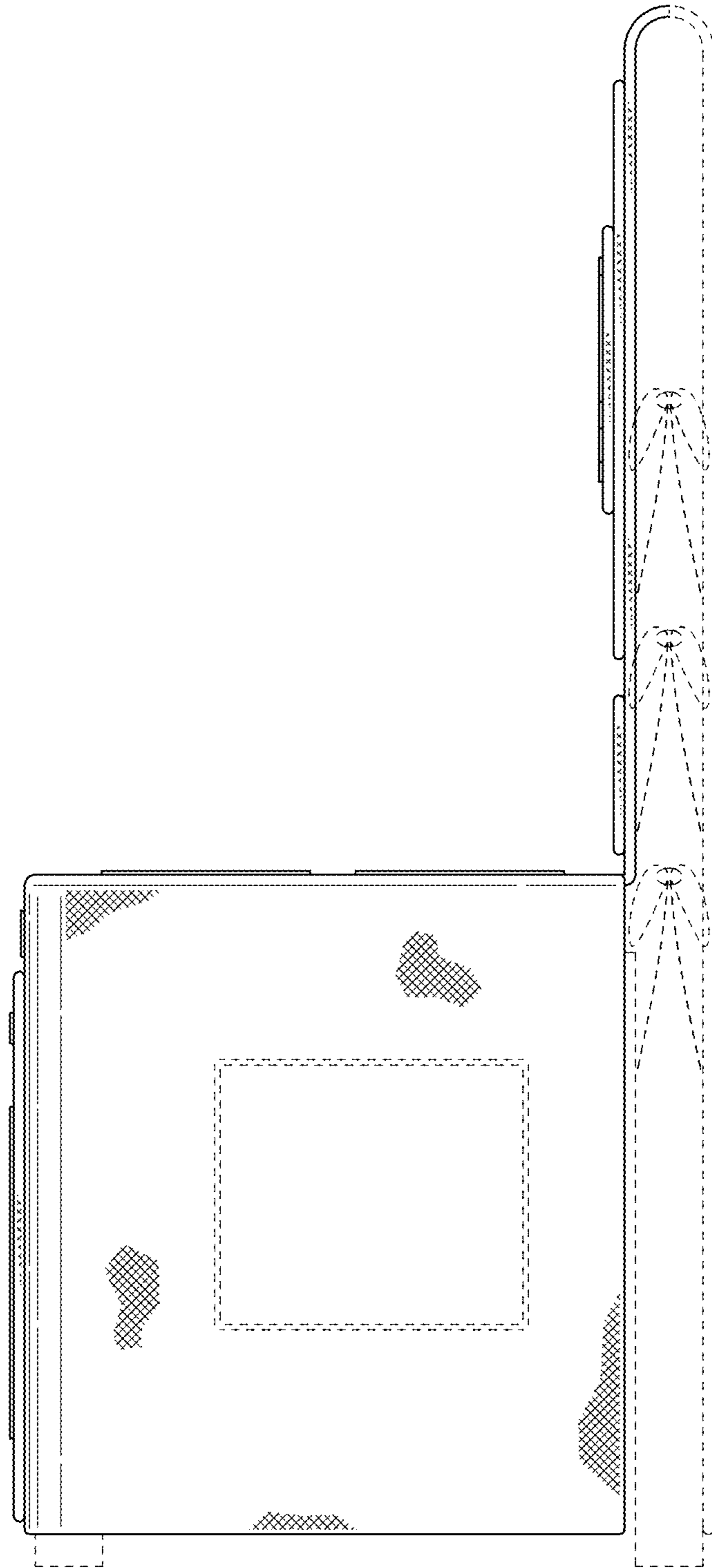


FIG. 4

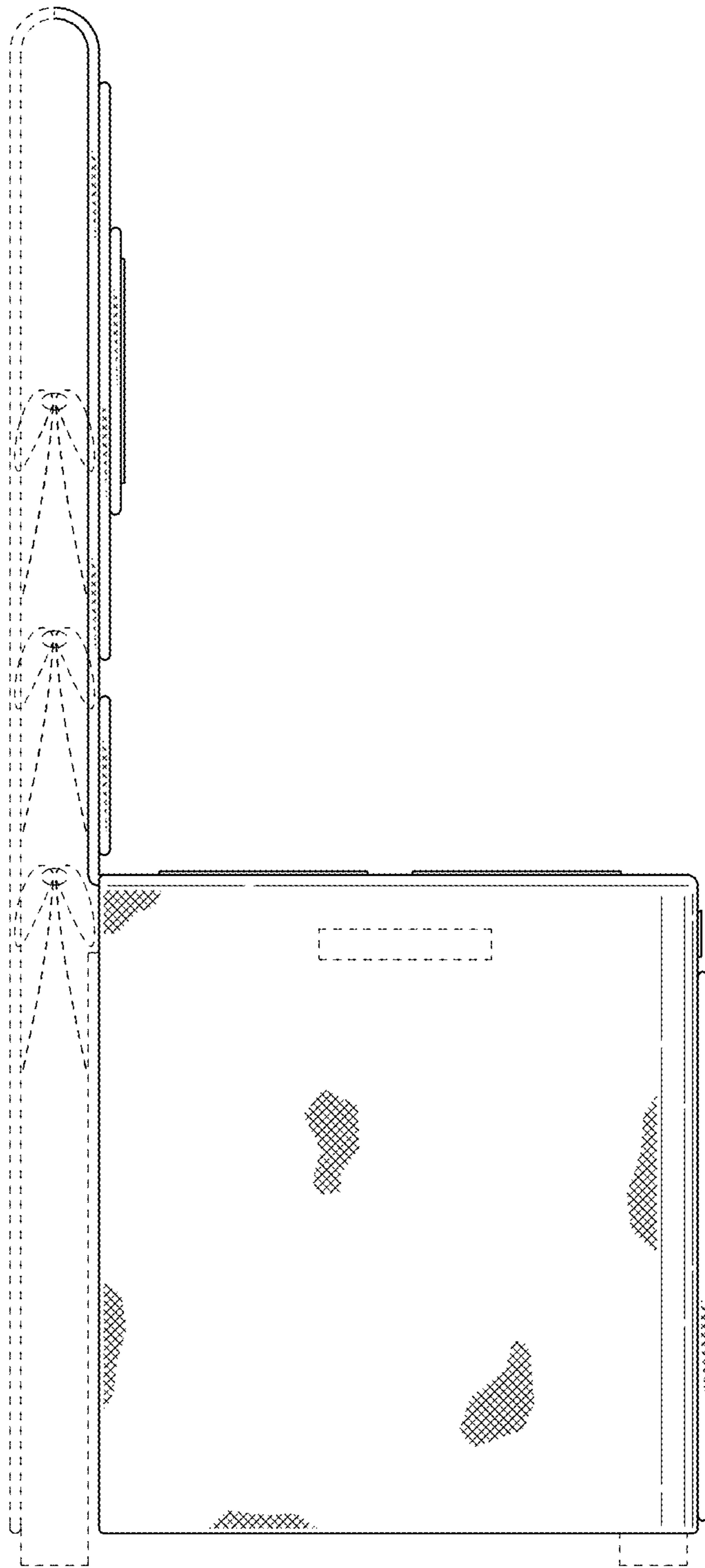


FIG. 5

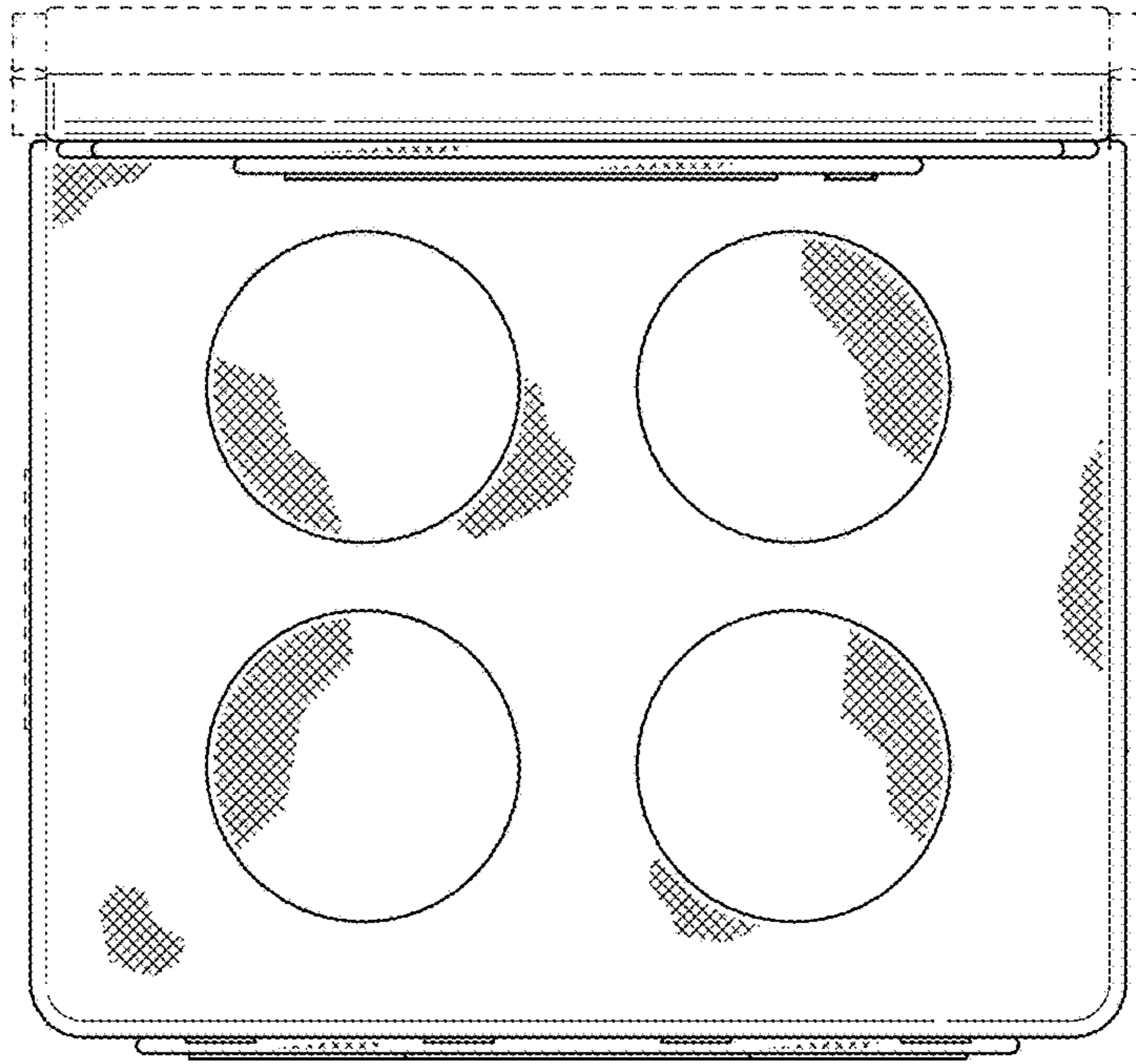


FIG. 6

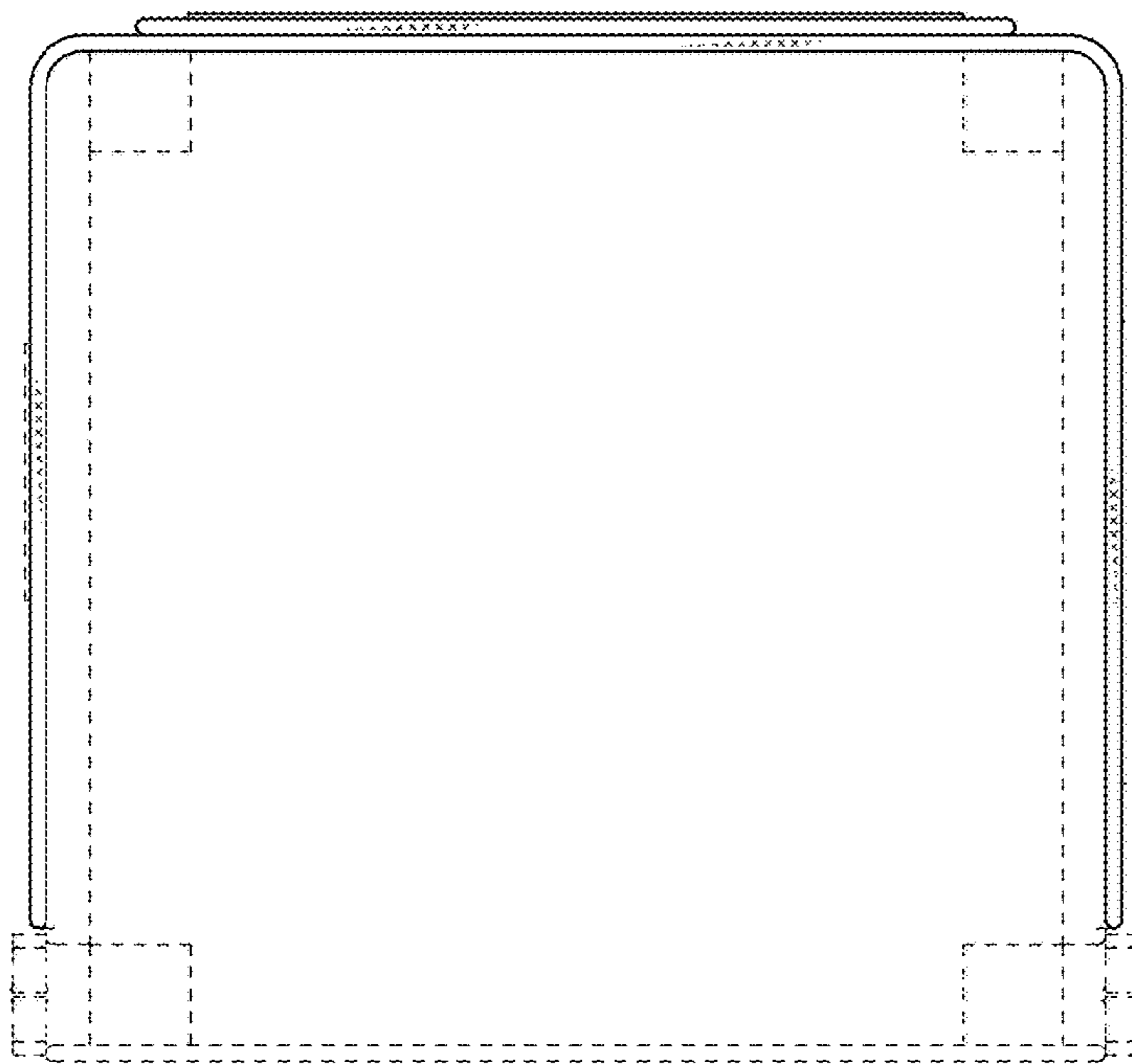


FIG. 7