



US00D825007S

(12) **United States Design Patent**
Muraki

(10) **Patent No.:** **US D825,007 S**

(45) **Date of Patent:** **** Aug. 7, 2018**

(54) **SPINNING TOP TOY**

(71) Applicant: **TOMY COMPANY, LTD.**, Tokyo (JP)

(72) Inventor: **Makoto Muraki**, Tokyo (JP)

(73) Assignee: **TOMY COMPANY, LTD.**, Tokyo (JP)

(**) Term: **15 Years**

(21) Appl. No.: **29/620,602**

(22) Filed: **Mar. 13, 2017**

(30) **Foreign Application Priority Data**

Oct. 14, 2016 (JP) 2016-022375

(51) **LOC (11) Cl.** **21-01**

(52) **U.S. Cl.**
USPC **D21/460**

(58) **Field of Classification Search**
USPC 446/34, 46-48, 217, 218, 235-245,
446/246-256, 257-266, 429, 430, 435,
446/450-453, 486, 487, 489-491;
D21/385, 390, 398, 436, 441-444,
D21/453-457, 458-464, 561-563, 578,
D21/585, 592; 273/147, 317
CPC A63H 1/00; A63H 1/04; A63H 1/22; A63F
9/16; D01H 7/18; H01Q 9/27
See application file for complete search history.

(56) **References Cited**

U.S. PATENT DOCUMENTS

| | | | | |
|--------------|---------|-----------|-------|---------|
| D608,842 S * | 1/2010 | Nishimoto | | D21/460 |
| D610,209 S * | 2/2010 | Nishimoto | | D21/460 |
| D614,245 S * | 4/2010 | Ujita | | D21/460 |
| D615,134 S * | 5/2010 | Nishimoto | | D21/460 |
| D615,602 S * | 5/2010 | Nishimoto | | D21/460 |
| D629,051 S * | 12/2010 | Nishimoto | | D21/460 |
| D629,468 S * | 12/2010 | Ujita | | D21/460 |
| D629,847 S * | 12/2010 | Ujita | | D21/460 |
| D639,869 S * | 6/2011 | Nishimoto | | D21/460 |

| | | | | |
|--------------|---------|-----------|-------|---------|
| D646,729 S * | 10/2011 | Ujita | | D21/460 |
| D660,918 S * | 5/2012 | Ujita | | D21/460 |
| D662,556 S * | 6/2012 | Horikoshi | | D21/460 |
| D665,858 S * | 8/2012 | Horikoshi | | D21/460 |
| D665,859 S * | 8/2012 | Horikoshi | | D21/460 |
| D666,252 S * | 8/2012 | Ujita | | D21/460 |

(Continued)

OTHER PUBLICATIONS

Amazon, "Bey battling blade burst XENO xCalibur", Nov. 13, 2017.
https://www.amazon.com/dp/B076YHLYP4/ref=sspa_dk_detail_7?psc=1. Shown on p. 1. (Year: 2017).*

Primary Examiner — Cynthia Ramirez

Assistant Examiner — Michael A Maharajh

(74) *Attorney, Agent, or Firm* — Staas & Halsey LLP

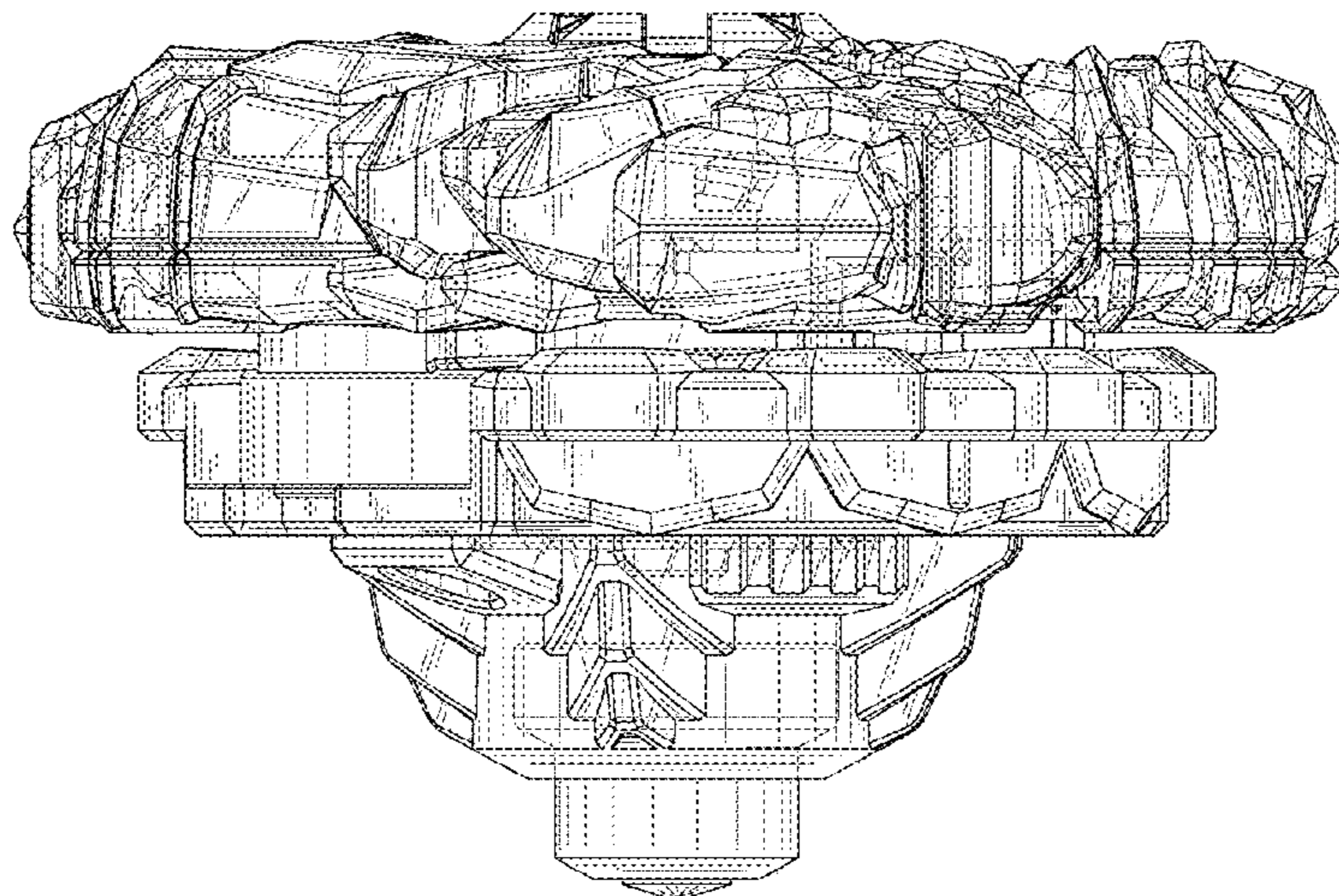
(57) **CLAIM**

I claim the ornamental design for a spinning top toy, as shown and described.

DESCRIPTION

FIG. 1 is a front view of the spinning top toy showing my design;
FIG. 2 is a left side view thereof;
FIG. 3 is a rear view thereof;
FIG. 4 is right side view thereof;
FIG. 5 is a top view thereof;
FIG. 6 is a bottom view thereof;
FIG. 7 is a perspective view thereof;
FIG. 8 is a side view showing only the transparent parts for convenience of illustration; and,
FIG. 9 is a top view of the uppermost transparent part, apart from the rest of the spinning top toy, shown for convenience of illustration.
The broken lines shown in the figures are for the purpose of illustrating portions of the spinning top toy, which form no part of the claimed design.

1 Claim, 9 Drawing Sheets



(56)

References Cited

U.S. PATENT DOCUMENTS

| | | | |
|------------------|---------|-----------------|-----------|
| D666,253 S * | 8/2012 | Ujita | D21/460 |
| D667,894 S * | 9/2012 | Horikoshi | D21/460 |
| 2011/0006479 A1* | 1/2011 | Ujita | A63H 1/16 |
| | | | 273/147 |
| 2011/0256796 A1* | 10/2011 | Ujita | A63H 1/00 |
| | | | 446/264 |

* cited by examiner

FIG. 1

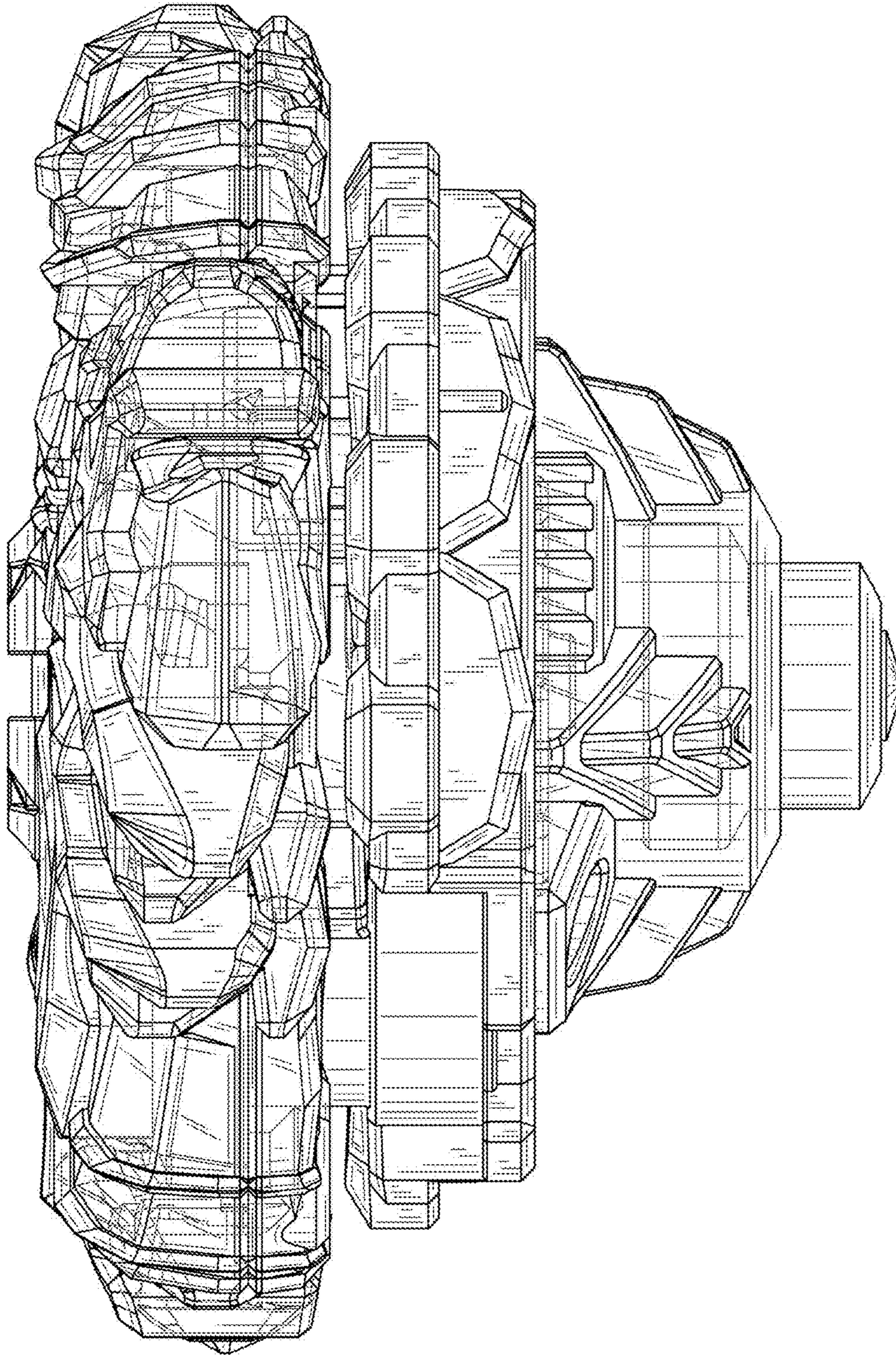


FIG. 2

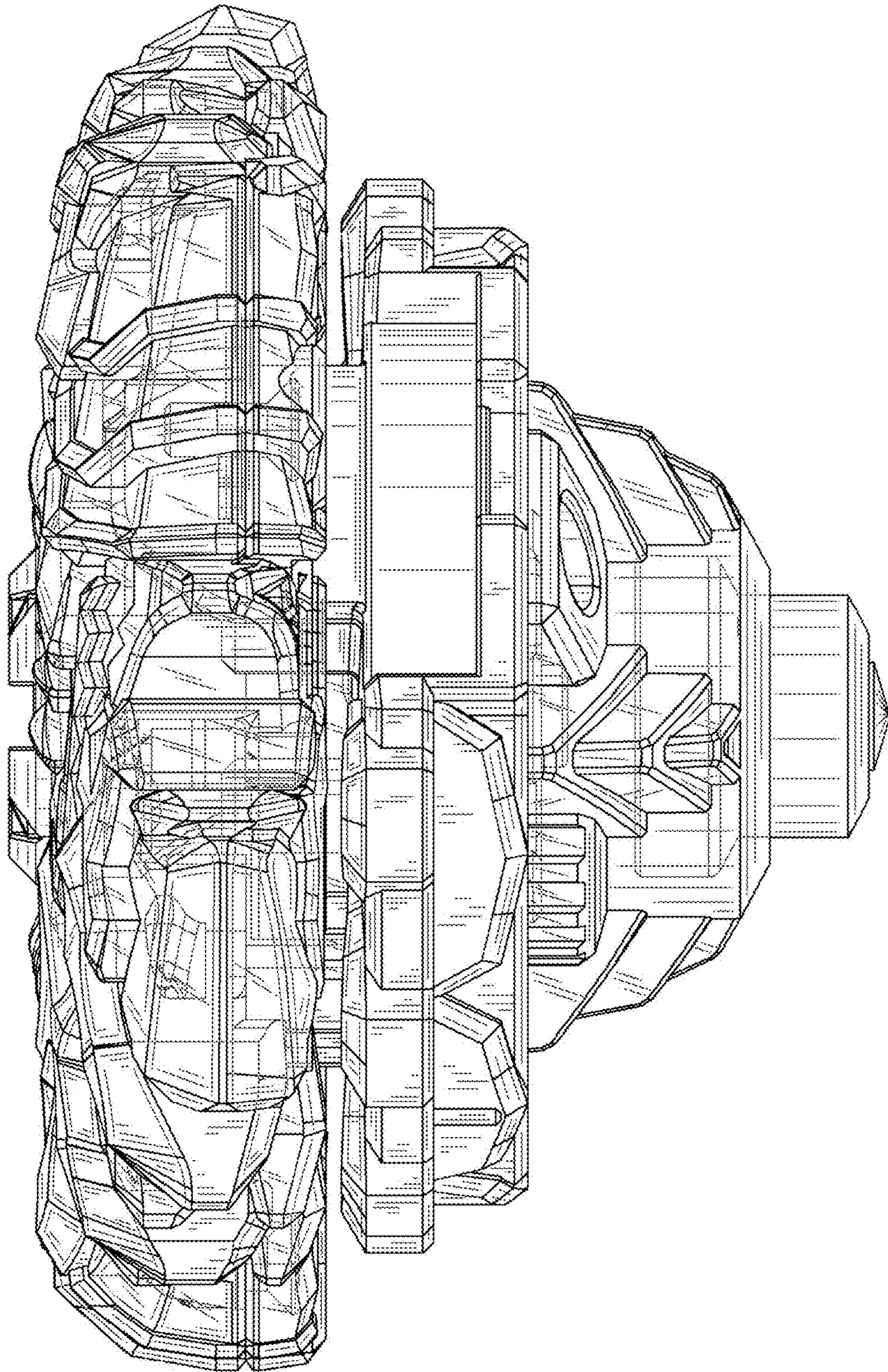


FIG. 3

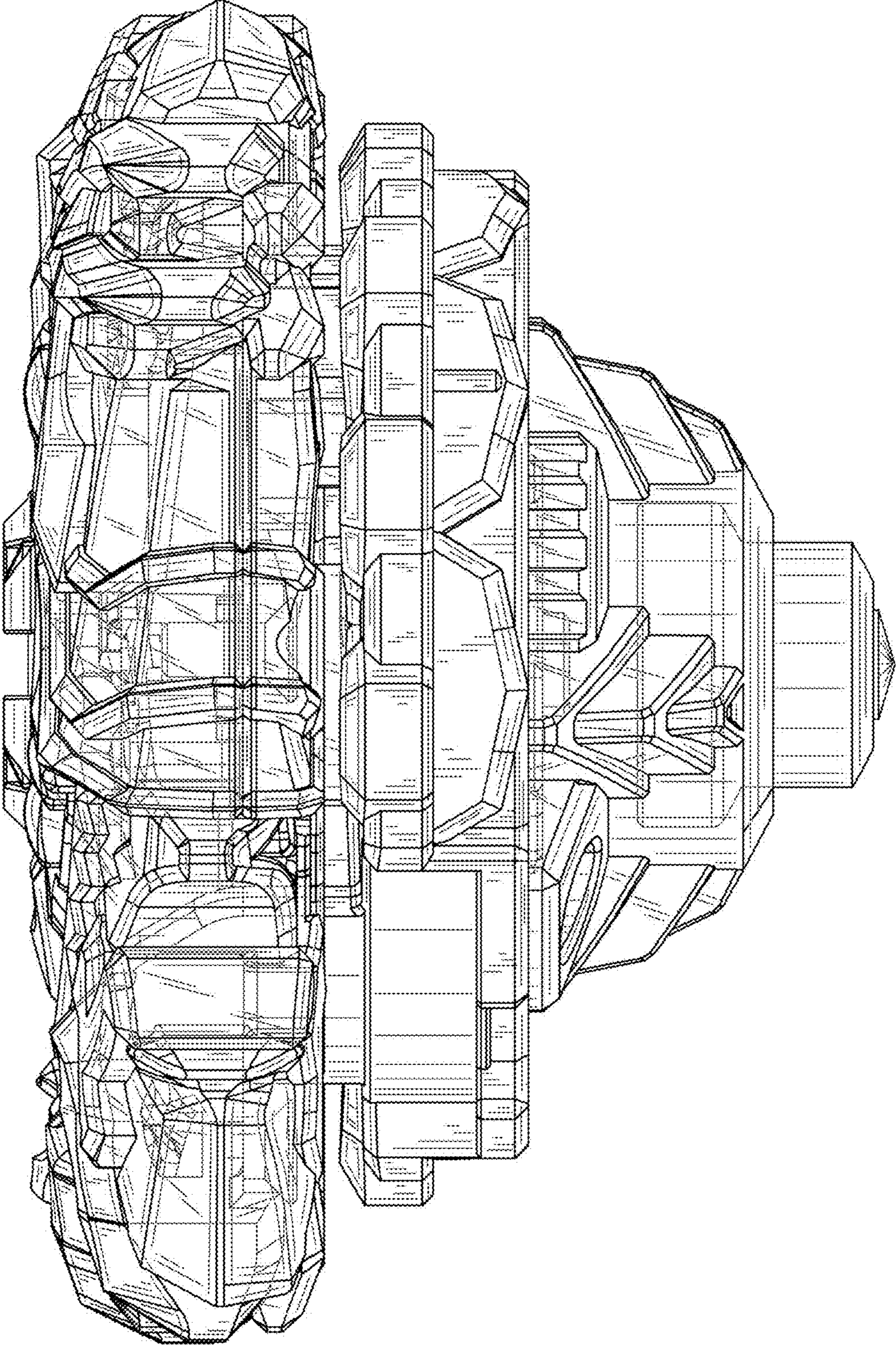
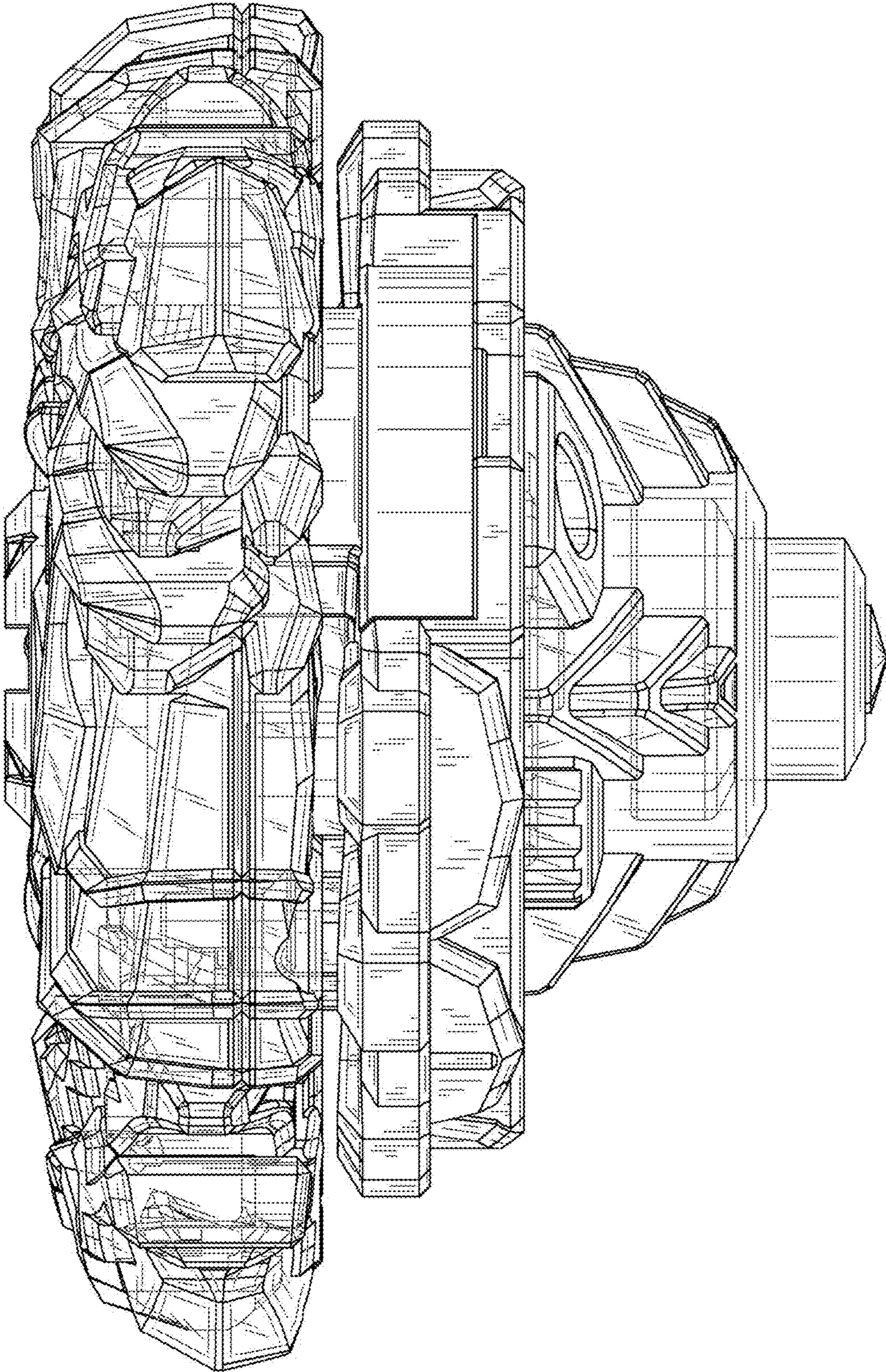


FIG. 4



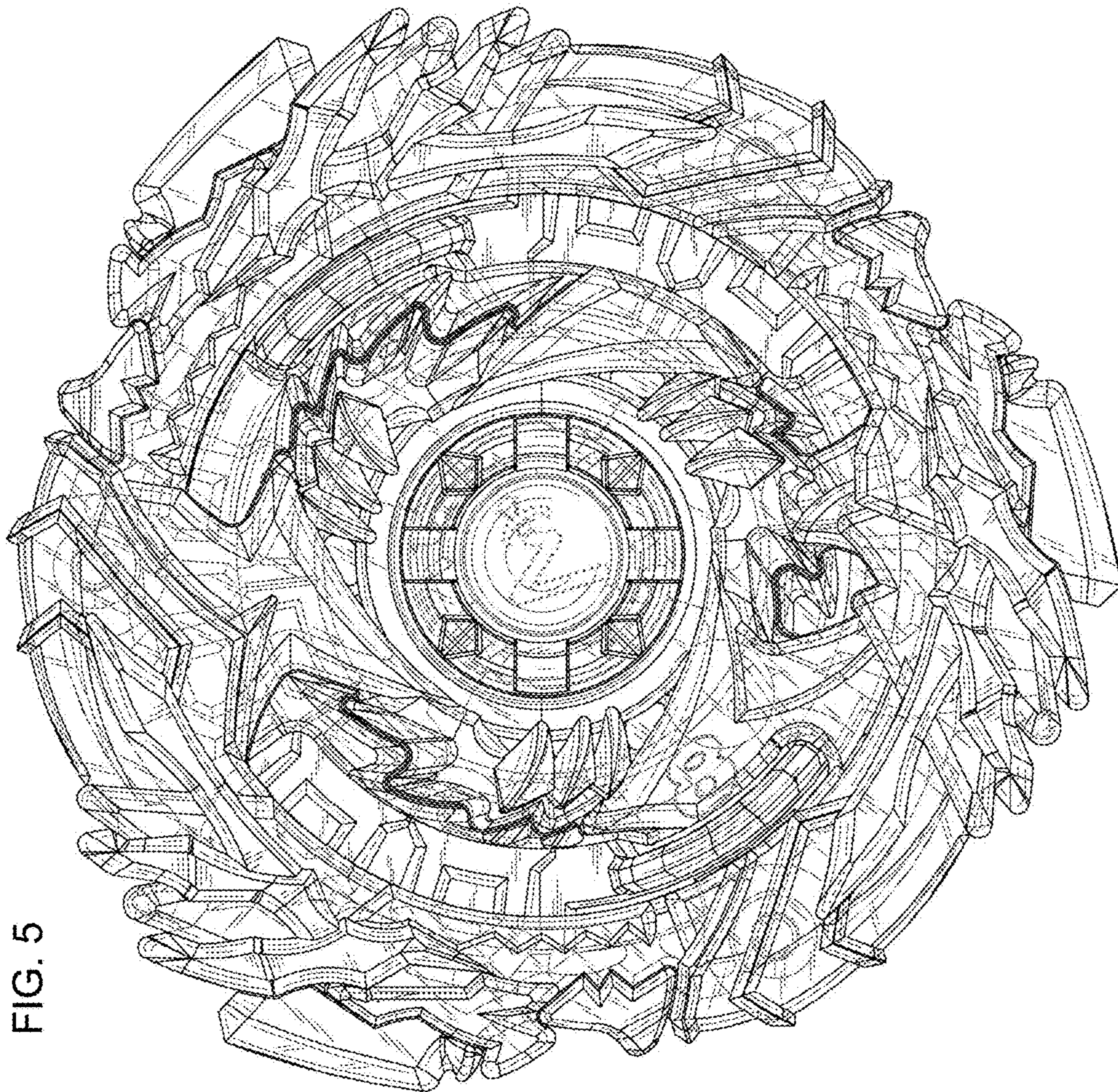


FIG. 5

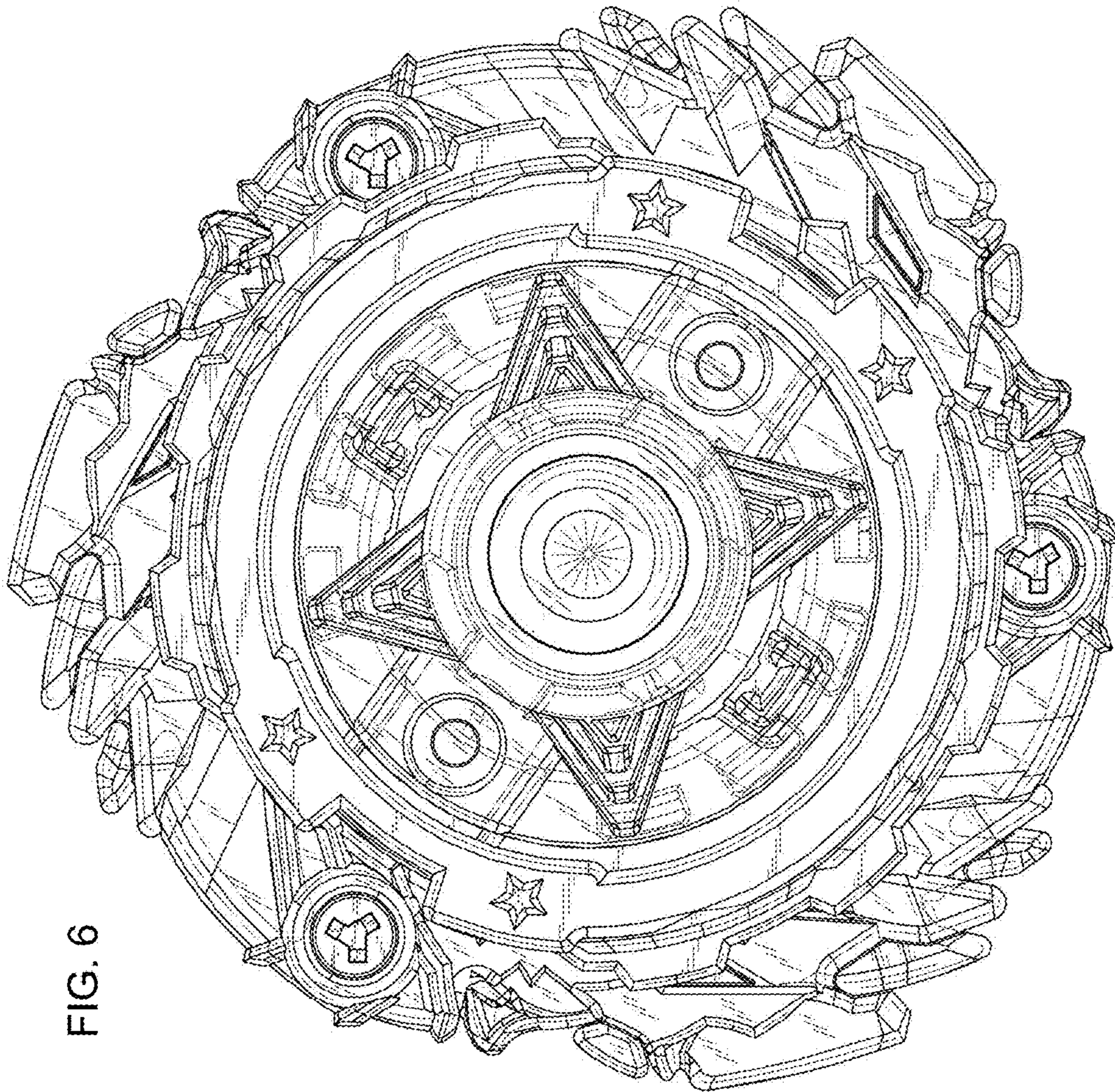


FIG. 6

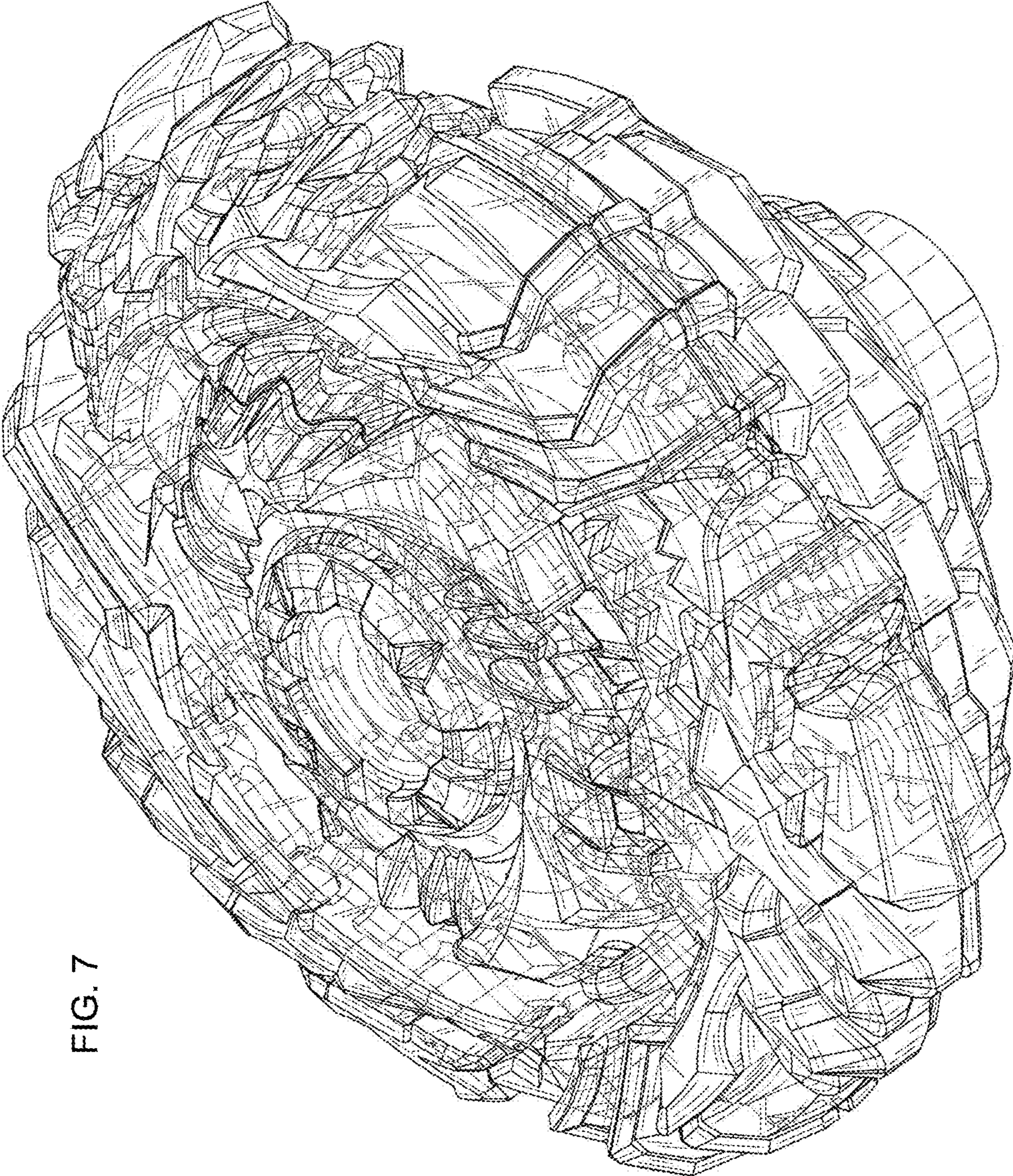
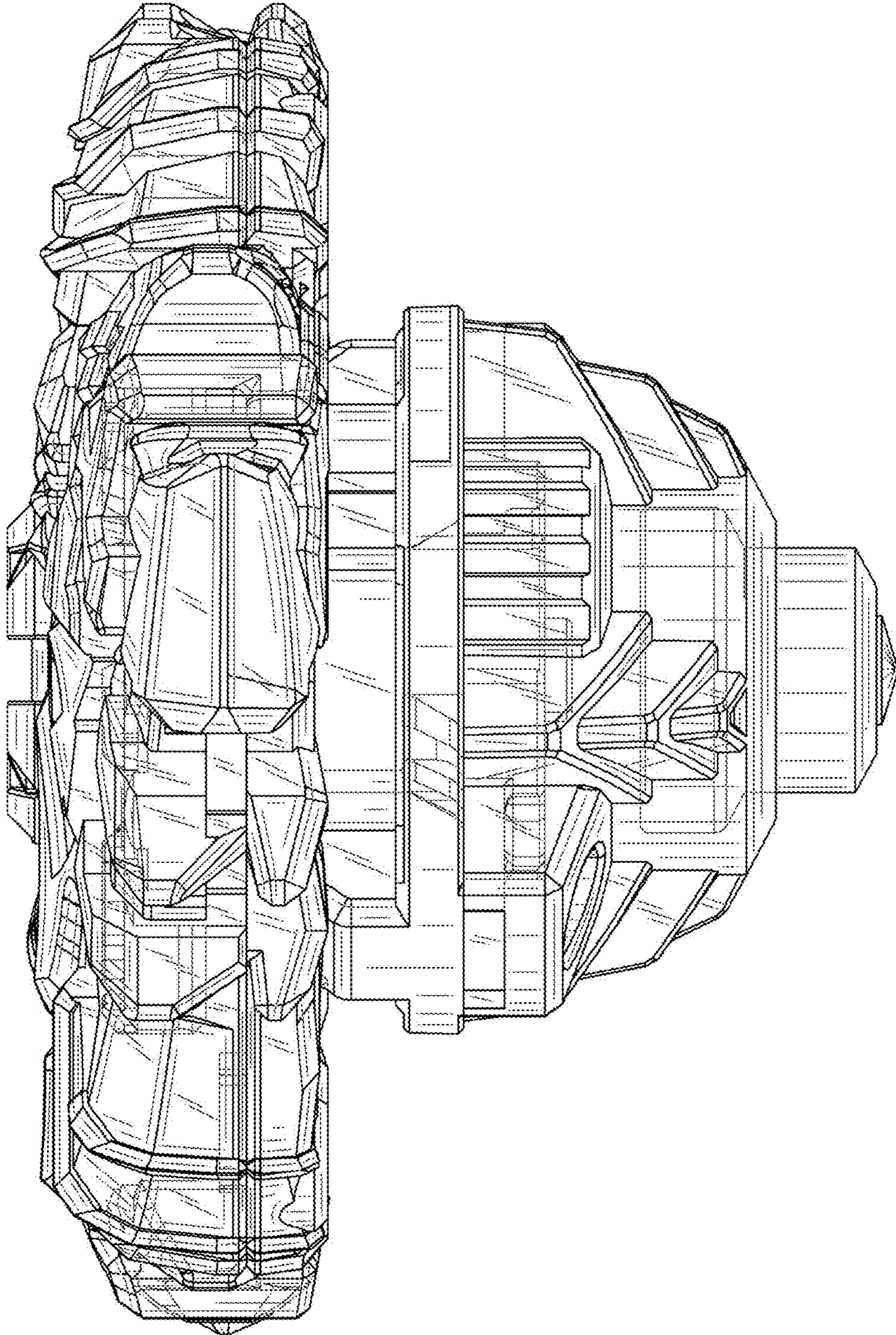


FIG. 7

FIG. 8



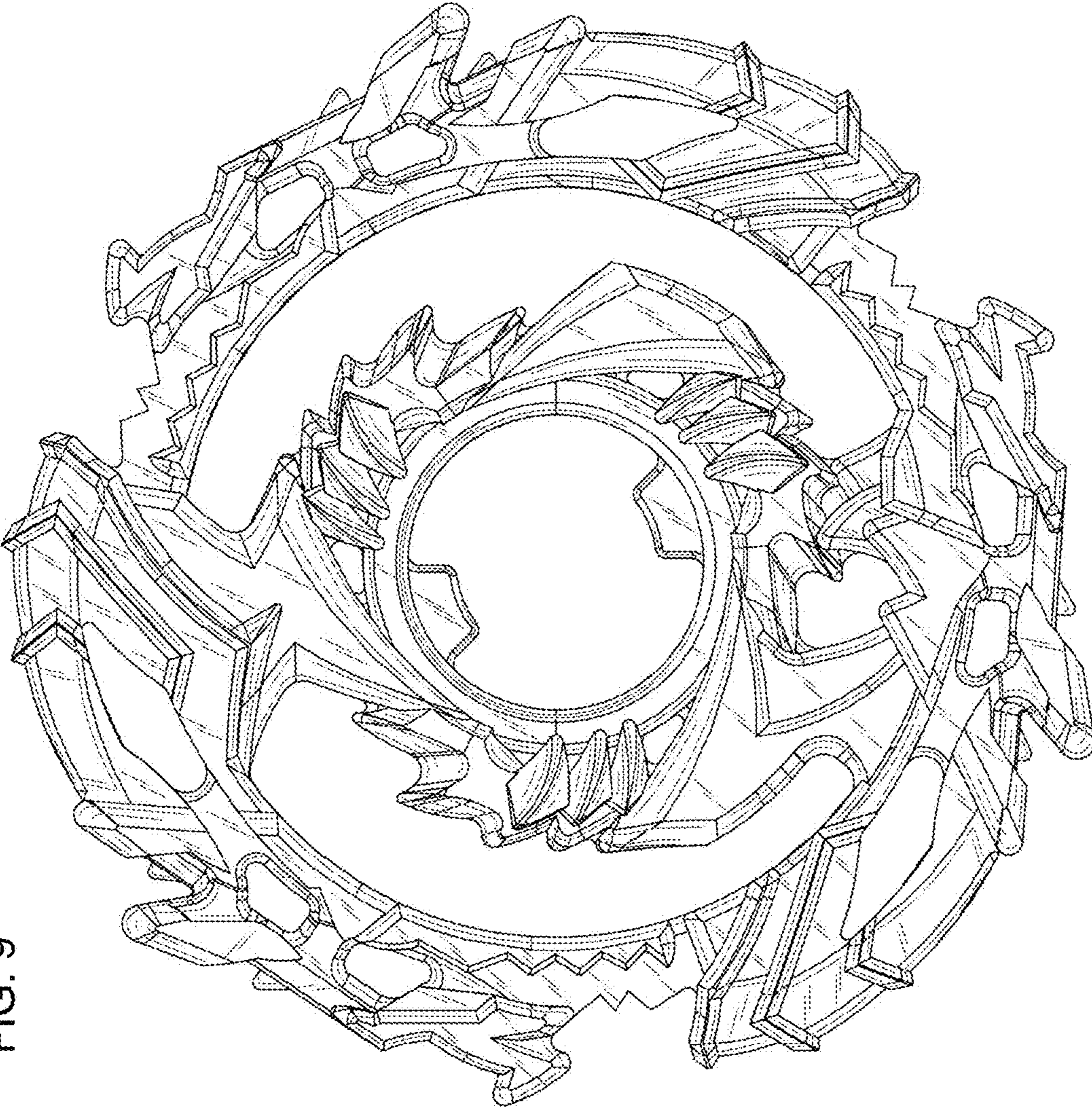


FIG. 9