



US00D825005S

(12) **United States Design Patent** (10) **Patent No.:** **US D825,005 S**
Chatterjee et al. (45) **Date of Patent:** **** *Aug. 7, 2018**

(54) **CONTROLLER**
(71) Applicant: **Microsoft Corporation**, Redmond, WA (US)

5,923,317 A 7/1999 Saylor et al.
D415,485 S 10/1999 Leifer et al.
D415,752 S 10/1999 Tyler et al.
(Continued)

(72) Inventors: **Monique Chatterjee**, Seattle, WA (US);
Richard T. Hanks, Seattle, WA (US);
William Bennett Mabry, Seattle, WA (US);
Carson Massie, Seattle, WA (US);
Matthew Harvey, Seattle, WA (US)

FOREIGN PATENT DOCUMENTS

JP D1297485 4/2007
JP D1424810 10/2011
(Continued)

(73) Assignee: **Microsoft Corporation**, Redmond, WA (US)

OTHER PUBLICATIONS

Nov. 15, 2016—(TW) Notice of Allowance—App 105302362.
(Continued)

(*) Notice: This patent is subject to a terminal disclaimer.

Primary Examiner — Prabhakar G Deshmukh
(74) *Attorney, Agent, or Firm* — Banner & Witcoff, Ltd.

(**) Term: **15 Years**

(57) **CLAIM**

(21) Appl. No.: **29/599,778**

The ornamental design for a controller, as shown and described.

(22) Filed: **Apr. 6, 2017**

(51) **LOC (11) Cl.** **21-01**

DESCRIPTION

(52) **U.S. Cl.**
USPC **D21/333**

(58) **Field of Classification Search**
USPC D14/399-401, 412-48; 345/156, 169,
345/173-179, 905; 463/1, 29-39, 46, 47;
D21/324, 328, 333; 273/148 B
CPC .. A63F 13/02; A63F 9/24; A63F 13/12; A63F
9/00; A63F 11/00; A63F 71/00; G06F
3/02; G06F 3/033; G06G 5/00
See application file for complete search history.

The patent or application file contains at least one drawing executed in color. Copies of this patent or patent application publication with color drawing(s) will be provided by the Office upon request and payment of the necessary fee.
FIG. 1 is a front perspective view of a controller showing our new design;
FIG. 2 is a front view thereof;
FIG. 3 is a rear view thereof;
FIG. 4 is a right side view thereof;
FIG. 5 is a left side view thereof;
FIG. 6 is a top view thereof; and,
FIG. 7 is a bottom view thereof.
The broken line showing of the various unshaded regions of the controller illustrates environmental structure and forms no part of the claimed design.

(56) **References Cited**

U.S. PATENT DOCUMENTS

D273,246 S 4/1984 Tonkel
D368,936 S 4/1996 Goto
D373,108 S 8/1996 Chung
5,551,693 A 9/1996 Goto et al.
D398,214 S 9/1998 Yui

1 Claim, 7 Drawing Sheets
(5 of 7 Drawing Sheet(s) Filed in Color)



(56)

References Cited

U.S. PATENT DOCUMENTS

D423,448 S 4/2000 Yu
 D424,047 S 5/2000 Chan
 D430,222 S 8/2000 Goto
 6,120,374 A 9/2000 Akada et al.
 D435,551 S 12/2000 Hayes
 6,231,444 B1 5/2001 Goto et al.
 D449,042 S 10/2001 Chung
 D453,932 S 2/2002 Han et al.
 6,463,159 B1 10/2002 Ming-Cheng
 D467,922 S 12/2002 Lee
 D469,436 S 1/2003 Hussaini et al.
 D476,376 S 6/2003 Wintersteiger
 6,572,108 B1 6/2003 Bristow
 6,743,100 B1 6/2004 Neiser
 6,956,559 B2 10/2005 Hagiwara et al.
 6,968,070 B1 11/2005 Chiang
 D521,015 S 5/2006 Hayes et al.
 D522,011 S 5/2006 Hayes et al.
 D522,012 S 5/2006 Hayes et al.
 7,063,321 B2 6/2006 Hussaini et al.
 D524,244 S 7/2006 Hussaini et al.
 7,105,754 B2 9/2006 Turner
 D533,011 S 12/2006 Pai
 7,195,561 B2 * 3/2007 Hussaini A63F 13/02
 273/148 B
 D545,317 S 6/2007 Wang et al.
 7,235,012 B2 * 6/2007 DiDato A63F 13/06
 273/148 B
 D547,763 S 7/2007 Hayes et al.
 D556,201 S 11/2007 Ashida et al.
 7,314,413 B2 1/2008 Ogata et al.
 D563,480 S 3/2008 Blaseflug et al.
 D565,668 S 4/2008 Baseflug et al.
 D568,335 S 5/2008 Armstrong et al.
 D569,388 S 5/2008 Armstrong et al.
 7,377,851 B2 * 5/2008 Goto G05G 9/047
 273/148 B
 D576,545 S 9/2008 Mandel et al.
 D581,422 S 11/2008 Hayes et al.
 7,445,550 B2 11/2008 Barney et al.
 D585,931 S 2/2009 Palmer
 D601,564 S 10/2009 Maeno
 D619,596 S 7/2010 Maitlen et al.
 7,762,553 B2 7/2010 Harris
 D624,049 S 9/2010 Liu
 7,887,768 B2 2/2011 Honjo et al.
 D636,773 S 4/2011 Lin
 D637,153 S 5/2011 Ikeda et al.
 D638,016 S 5/2011 Ikeda
 D646,275 S 10/2011 Ikeda et al.
 8,040,671 B2 10/2011 Iwamoto et al.
 D650,795 S 12/2011 Koehn
 D655,350 S 3/2012 Taniguchi et al.
 D658,178 S 4/2012 Ikeda et al.
 D658,179 S 4/2012 Ikeda et al.
 D659,140 S 5/2012 Ikeda et al.
 8,241,124 B2 8/2012 Kelly et al.
 D667,892 S 9/2012 Burgess et al.
 D685,434 S 7/2013 Ali et al.
 8,487,876 B2 7/2013 Ikeda et al.
 D692,001 S 10/2013 Ibuki et al.
 8,545,323 B2 10/2013 McVicar et al.
 D692,887 S 11/2013 Ibuki et al.
 D694,830 S 12/2013 Crowley et al.
 D700,182 S 2/2014 Kidakarn
 8,641,525 B2 2/2014 Burgess et al.
 D707,758 S 6/2014 Norman et al.
 D708,615 S 7/2014 Delrue et al.
 D709,498 S 7/2014 Morris et al.
 D709,499 S 7/2014 Morris et al.
 D709,882 S 7/2014 Morris et al.
 D712,973 S 9/2014 Sumii et al.
 D715,865 S 10/2014 Morris et al.
 D718,705 S 12/2014 Naksen
 D718,818 S 12/2014 Sumii et al.

8,903,100 B2 12/2014 Hiraki
 8,903,111 B2 12/2014 Garet et al.
 8,925,414 B1 1/2015 Park et al.
 8,994,666 B2 3/2015 Karpfinger
 D730,451 S 5/2015 Burgess et al.
 9,029,721 B2 5/2015 Ikeda et al.
 9,053,243 B2 6/2015 Townsend
 D733,802 S 7/2015 Burgess et al.
 D735,721 S 8/2015 Mar
 D736,322 S 8/2015 Navid
 9,118,750 B2 8/2015 Vossoughi et al.
 D740,825 S 10/2015 Bellinghausen et al.
 D745,607 S 12/2015 Jones
 D748,734 S 2/2016 Burgess et al.
 9,251,701 B2 2/2016 Plagge et al.
 D754,128 S 4/2016 Bellinghausen et al.
 D763,967 S 8/2016 Kujawski et al.
 D764,597 S 8/2016 Kujawski et al.
 D765,787 S 9/2016 Kujawski et al.
 D765,788 S 9/2016 Kujawski et al.
 D765,790 S 9/2016 Chatterjee et al.
 D765,791 S 9/2016 Chatterjee et al.
 D765,792 S 9/2016 Chatterjee et al.
 D765,793 S 9/2016 Chatterjee et al.
 D766,374 S 9/2016 Kujawski et al.
 D766,375 S 9/2016 Kujawski et al.
 D766,376 S 9/2016 Kujawski et al.
 D766,377 S 9/2016 Kujawski et al.
 D767,038 S 9/2016 Kujawski et al.
 D767,684 S 9/2016 Kujawski et al.
 D768,784 S 10/2016 Kujawski et al.
 D770,568 S 11/2016 Kujawski et al.
 D772,987 S 11/2016 Kujawski et al.
 D772,988 S 11/2016 Kujawski et al.
 D773,561 S 12/2016 Kujawski et al.
 D774,143 S 12/2016 Kujawski et al.
 D777,843 S 1/2017 Kujawski
 D797,197 S * 9/2017 Buller D21/333
 D798,954 S * 10/2017 Chatterjee D21/333
 D799,600 S * 10/2017 Chatterjee D21/333
 D806,078 S * 12/2017 Goldman D14/401
 2006/0079328 A1 4/2006 Wang
 2006/0116204 A1 6/2006 Chen et al.
 2013/0130800 A1 5/2013 Sirilux et al.

FOREIGN PATENT DOCUMENTS

JP D1492113 3/2014
 JP D1492114 3/2014
 JP D1492115 3/2014
 JP D1549312 4/2016
 JP D1551960 6/2016
 JP D1551961 6/2016
 JP D1552375 6/2016
 KR 30-0751062-000 7/2014
 TW D165791 2/2015
 TW D165793 2/2015
 TW D177467 8/2016
 TW D177469 8/2016
 TW D180757 B 1/2017

OTHER PUBLICATIONS

Sep. 29, 2016—(TW) Notice of Allowance—App 105302370.
 Dec. 12, 2016—U.S. Notice of Allowance—U.S. Appl. No. 29/543,963, filed Oct. 29, 2015; Inv.: Christopher Kujawski.
 Nov. 7, 2016—(TW) Search Report—App 105302362.
 Sep. 22, 2016—(TW) Search Report—App 105302370.
 Dec. 14, 2016—U.S. Notice of Allowance—U.S. Appl. No. 29/543,898, filed Oct. 29, 2015; Inv.: Christopher Kujawski.
 Dec. 14, 2016—U.S. Notice of Allowance—U.S. Appl. No. 29/543,902, filed Oct. 29, 2015; Inv.: Christopher Kujawski.
 Dec. 12, 2016—U.S. Notice of Allowance—U.S. Appl. No. 29/543,914, filed Oct. 26, 2015; Inv.: Christopher Kujawski.
 Sep. 29, 2016—(TW) Notice of Allowance—App 105302371.
 Dec. 20, 2016—U.S. Notice of Allowance—U.S. Appl. No. 29/543,904, filed Oct. 29, 2015; Inv.: Christopher Kujawski.

(56)

References Cited

OTHER PUBLICATIONS

- Feb. 27, 2017—(IN) First Examination Report—App No. 290059.
 Feb. 27, 2017—(IN) First Examination Report—App No. 290058.
 Mar. 2, 2017—(IN) First Examination Report—App No. 290057.
 May 3, 2017—U.S. Non-Final Office Action—U.S. Appl. No. 29/578,414—Inv: Monique Chatterjee.
 Mar. 28, 2017—U.S. Notice of Allowance—U.S. Appl. No. 29/564,536, filed May 13, 2016; Inv.: Christopher Kujawski.
 Mar. 28, 2017—U.S. Notice of Allowance—U.S. Appl. No. 29/564,931, filed Oct. 29, 2015; Inv.: Christopher Kujawski.
 Mar. 29, 2017—U.S. Notice of Allowance—U.S. Appl. No. 29/543,976, filed Oct. 29, 2015; Inv.: Christopher Kujawski.
 Mar. 29, 2017—U.S. Notice of Allowance—U.S. Appl. No. 29/564,897, filed Oct. 29, 2015; Inv.: Christopher Kujawski.
 May 5, 2017—U.S. Notice of Allowance—U.S. Appl. No. 29/571,165.
 May 13, 2017—U.S. Notice of Allowance—U.S. Appl. No. 29/564,532, filed May 13, 2016; Inv.: Christopher Kujawski.
 May 5, 2017—U.S. Non-Final Office Action—U.S. Appl. No. 29/578,410.
 May 5, 2017—U.S.—Notice of Allowance—U.S. Appl. No. 29/578,412.
 Mar. 29, 2017—U.S. Notice of Allowance—U.S. Appl. No. 29/564,540, filed Oct. 29, 2015; Inv.: Christopher Kujawski.
 May 23, 2017—U.S. Notice of Allowance—U.S. Appl. No. 29/567,508.
 May 24, 2017—U.S. Notice of Allowance—U.S. Appl. No. 29/567,504.
 Side-by-side: Xbox One Gamepad vs Xbox 360 gamepad (Jun. 11, 2013), <http://www.techradar.com/us/news/gaming/consoles/side-by-side-xbox-one-gamepad-vs-xbox-360-gamepad-1158091>.
 May 2, 2016—U.S. Notice of Allowance—U.S. Appl. No. 29/530,225, filed Jun. 15, 2015; Inv: Christopher Kujawski.
 May 11, 2016—U.S. Restriction Requirement—U.S. Appl. No. 29/530,106, filed Jun. 15, 2015; Inv: Christopher Kujawski.
 May 10, 2016—U.S. Restriction Requirement—U.S. Appl. No. 29/530,098, filed Jun. 15, 2015; Inv: Christopher Kujawski.
 May 17, 2016—U.S. Notice of Allowance—U.S. Appl. No. 29/530,102, filed Jun. 12, 2015; Inv: Christopher Kujawski.
 May 6, 2016—U.S. Notice of Allowance—U.S. Appl. No. 29/530,110, filed Jun. 12, 2015; Inv: Christopher Kujawski.
 May 5, 2016—U.S. Notice of Allowance—U.S. Appl. No. 29/530,108, filed Jun. 12, 2015; Inv: Christopher Kujawski.
 May 2, 2016—U.S. Notice of Allowance—U.S. Appl. No. 29/530,122, filed Jun. 12, 2015; Inv: Christopher Kujawski.
 Apr. 26, 2016—U.S. Notice of Allowance—U.S. Appl. No. 29/530,111, filed Jun. 12, 2015; Inv: Christopher Kujawski.
 Apr. 11, 2016—U.S. Notice of Allowance—U.S. Appl. No. 29/530,113, filed Jun. 12, 2015; Inv: Christopher Kujawski.
 Apr. 14, 2016—U.S. Non-Final Office Action—U.S. Appl. No. 29/530,114, filed Jun. 12, 2015; Inv: Christopher Kujawski.
 Apr. 11, 2016—U.S. Notice of Allowance—U.S. Appl. No. 29/530,115, filed Jun. 12, 2015; Inv: Christopher Kujawski.
 May 6, 2016—U.S. Notice of Allowance—U.S. Appl. No. 29/530,116, filed Jun. 12, 2015; Inv: Christopher Kujawski.
 May 2, 2016—U.S. Notice of Allowance—U.S. Appl. No. 29/530,120, filed Jun. 12, 2015; Inv: Christopher Kujawski.
 May 6, 2016—U.S. Notice of Allowance—U.S. Appl. No. 29/530,285, filed Jun. 15, 2015; Inv: Christopher Kujawski.
 Jun. 22, 2016—U.S. Notice of Allowance—U.S. Appl. No. 29/530,243, filed Jun. 12, 2015; Inv: Christopher Kujawski.
 Apr. 26, 2016—U.S. Non-Final Office Action—U.S. Appl. No. 29/530,237, filed Jun. 15, 2015; Inv: Christopher Kujawski.
 Jul. 27, 2016—(IN) Office Action—App 282967; filed Apr. 28, 2016; Inv: Christopher Kujawski.
 Aug. 2, 2016—(IN) Office Action—App 282964; filed Apr. 28, 2016; Inv: Christopher Kujawski.
 Jul. 27, 2016—(IN) Office Action—App 282965; filed Apr. 28, 2016; Inv: Christopher Kujawski.
 Aug. 2, 2016—(IN) Office Action—App 282968; filed Apr. 28, 2016; Inv: Christopher Kujawski.
 Aug. 4, 2016—(VN) Office Action—App 3-2016-00714; filed Apr. 27, 2016; Inv: Christopher Kujawski.
 Aug. 2, 2016—(IN) Office Action—App 282966; filed Apr. 28, 2016; Inv: Christopher Kujawski.
 Jul. 22, 2016—U.S. Notice of Allowance—U.S. Appl. No. 29/530,098, filed Jun. 12, 2015; Inv: Christopher Kujawski.
 Jul. 22, 2016—U.S. Notice of Allowance—U.S. Appl. No. 29/530,106, filed Jun. 12, 2015; Inv: Christopher Kujawski.
 Jul. 25, 2016—U.S. Notice of Allowance—U.S. Appl. No. 29/530,112, filed Jun. 12, 2015; Inv: Christopher Kujawski.
 Aug. 1, 2016—U.S. Notice of Allowance—U.S. Appl. No. 29/530,114, filed Jun. 12, 2015; Inv: Christopher Kujawski.
 Aug. 5, 2016—U.S. Notice of Allowance—U.S. Appl. No. 29/530,237, filed Jun. 15, 2015; Inv: Christopher Kujawski.
 May 19, 2016—(KR) Office Action—App 3-2015-0063248; filed Dec. 11, 2015; Inv: Christopher Kujawski.
 Aug. 22, 2016—(KR) Office Action—App 30-2015-0063248; filed Dec. 11, 2015; Inv: Christopher Kujawski.
 Apr. 26, 2016—(JP) Office Action—App 2015-027786; filed Dec. 11, 2015; Inv: Christopher Kujawski.
 Aug. 23, 2016—(JP) Office Action—App 2015-027786; filed Dec. 11, 2015; Inv: Christopher Kujawski.
 Sep. 23, 2016—U.S. Notice of Allowance—U.S. Appl. No. 29/543,968, filed Oct. 29, 2015; Inv.: Christopher Kujawski.
 May 21, 2016—(CA) Examiner's Report—App 168250; filed Apr. 29, 2016; Inv: Christopher Kujawski.
 Sep. 29, 2016—(TW) Notice of Allowance—App 105302369.
 Sep. 26, 2016—(TW) Search Report—App 105302369.
 Sep. 22, 2016—(TW) Search Report—App 105302366—Eng Tran.
 Sep. 26, 2016—(TW) Notice of Allowance—App 105302366.
 Sep. 29, 2016—(TW) Notice of Allowance—App 105302361.
 Sep. 22, 2016—(TW) Search Report—App 105302361—Eng Tran.
 Sep. 29, 2016—(TW) Notice of Allowance—App 105302367.
 Sep. 22, 2016—(TW) Search Report—App 105302367—Eng Tran.
 Nov. 30, 2016—U.S. Non-Final Office Action—U.S. Appl. No. 29/543,976, filed Oct. 29, 2015; Inv: Christopher Kujawski.
 Nov. 28, 2016—U.S. Notice of Allowance—U.S. Appl. No. 29/543,897, filed Oct. 29, 2015; Inv.: Christopher Kujawski.
 Dec. 6, 2016—U.S. Notice of Allowance—U.S. Appl. No. 29/543,958, filed Jan. 29, 2015; Inv.: Christopher Kujawski.
 Nov. 28, 2016—U.S. Notice of Allowance—U.S. Appl. No. 29/543,931, filed Jan. 29, 2015; Inv.: Christopher Kujawski.
 Sep. 19, 2016—(TW) Notice of Allowance—App 104306953D01.
 Sep. 9, 2016—(TW) Search Report—App 104306953D01—Eng Tran.
 Sep. 22, 2016—(TW) Search Report—App 105302371.
 Nov. 16, 2016—(TW) Search Report—App 105302368—Eng Tran.
 U.S. Appl. No. 29/599,777, filed Apr. 6, 2017.
 U.S. Appl. No. 29/599,779, filed Apr. 6, 2017.
 “Notice of Allowance and Search Report Issued in Taiwan Patent Application No. 106301827”, dated Oct. 26, 2017, 11 Pages. (W/o English Translation).

* cited by examiner



FIG. 1

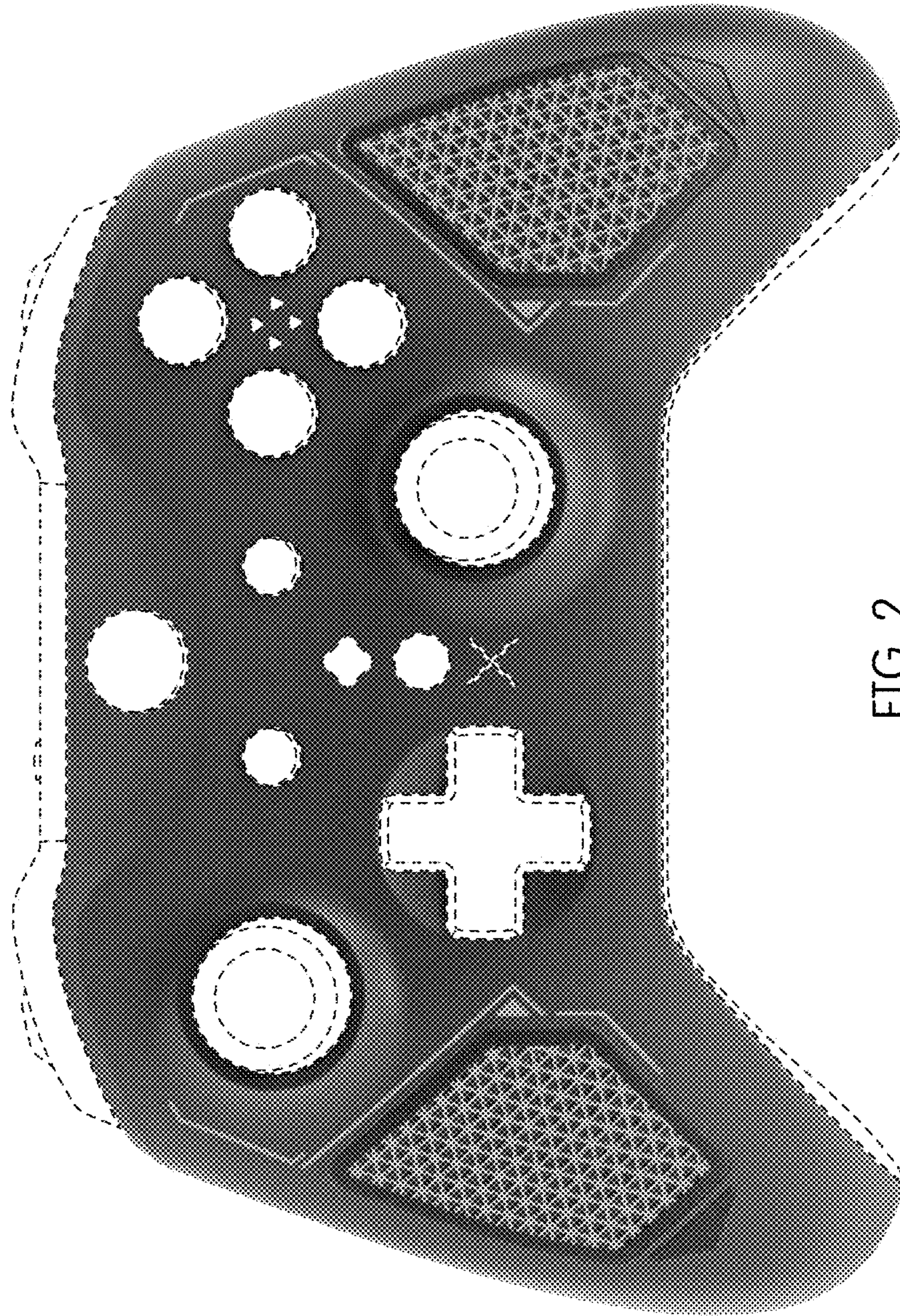


FIG. 2

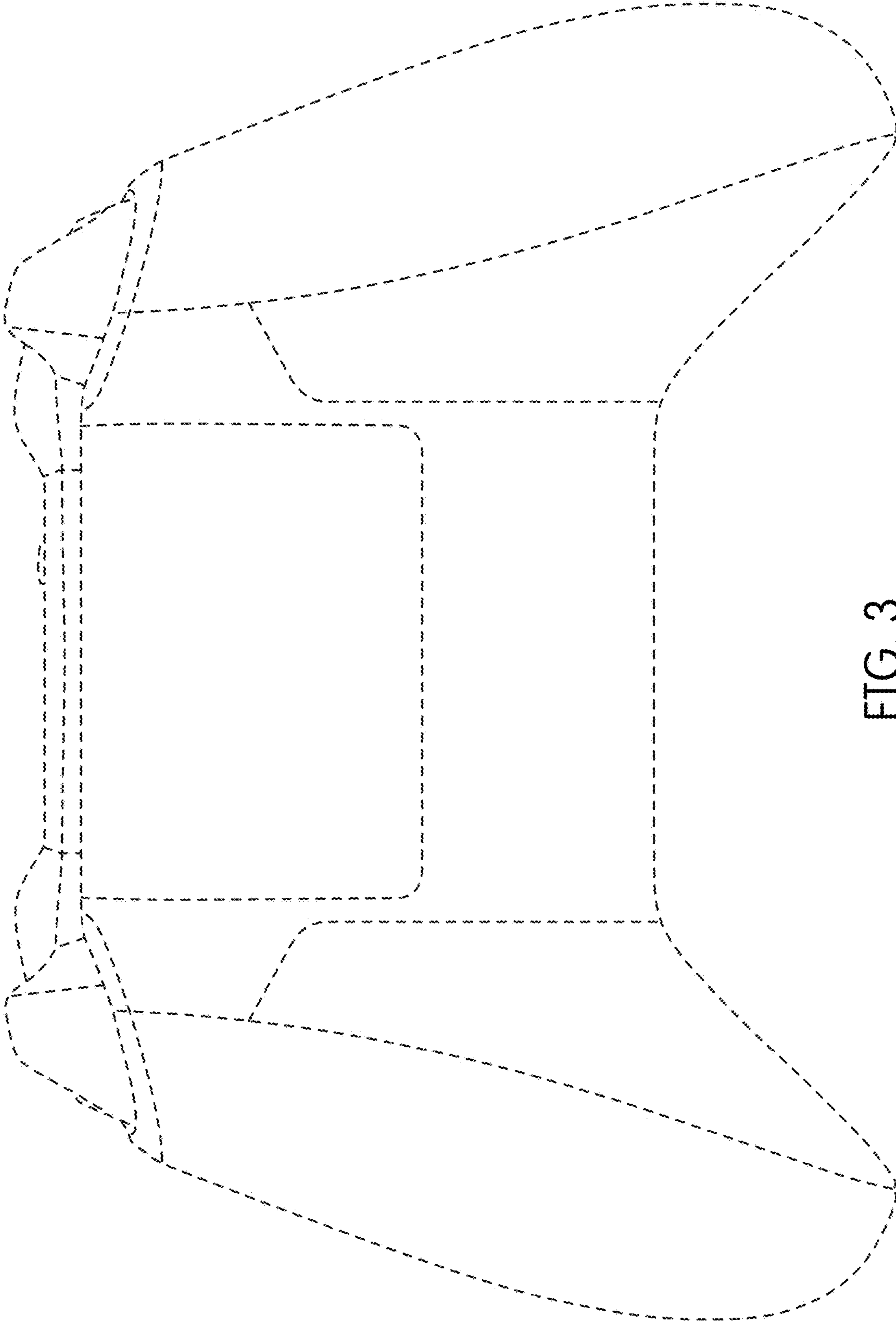


FIG. 3

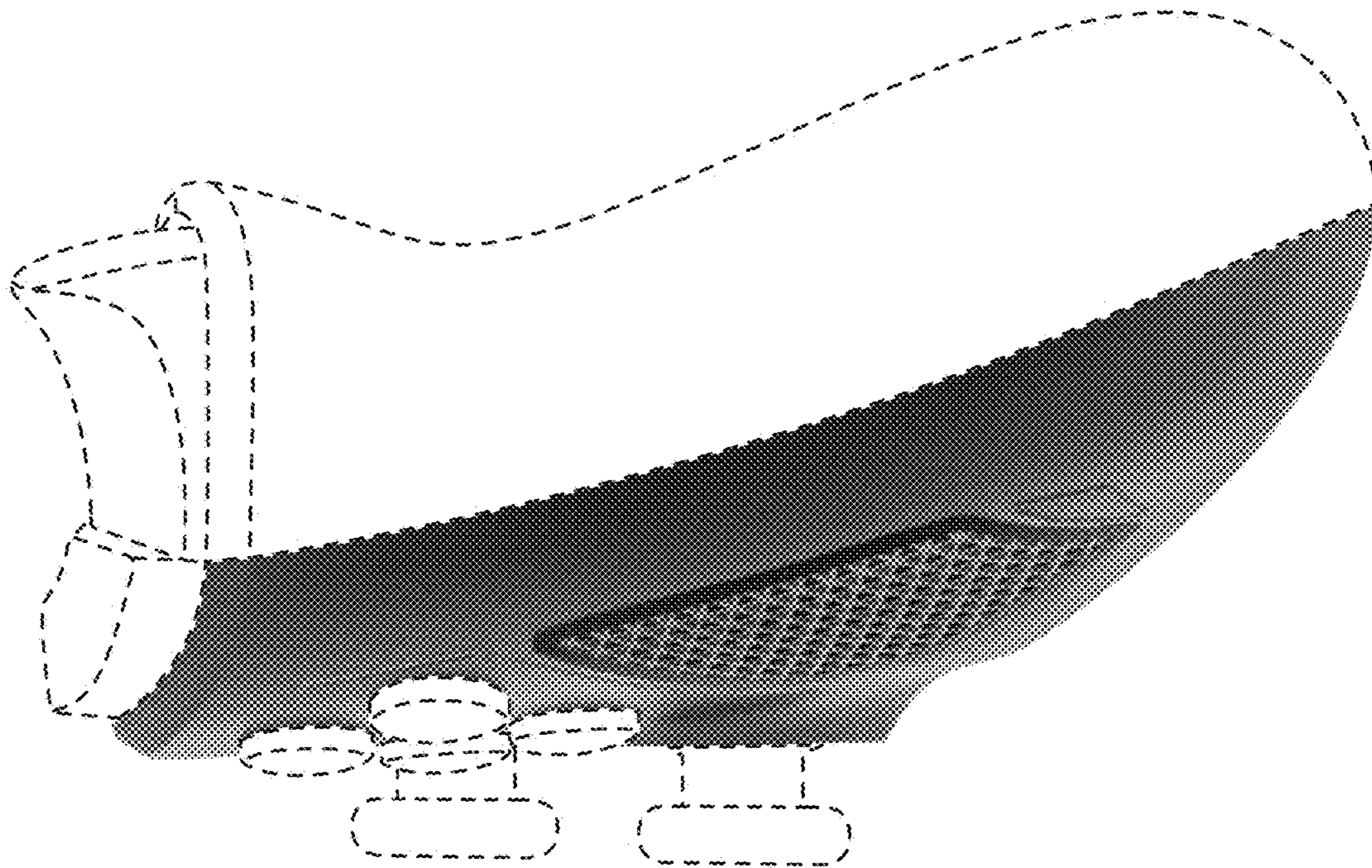


FIG. 4

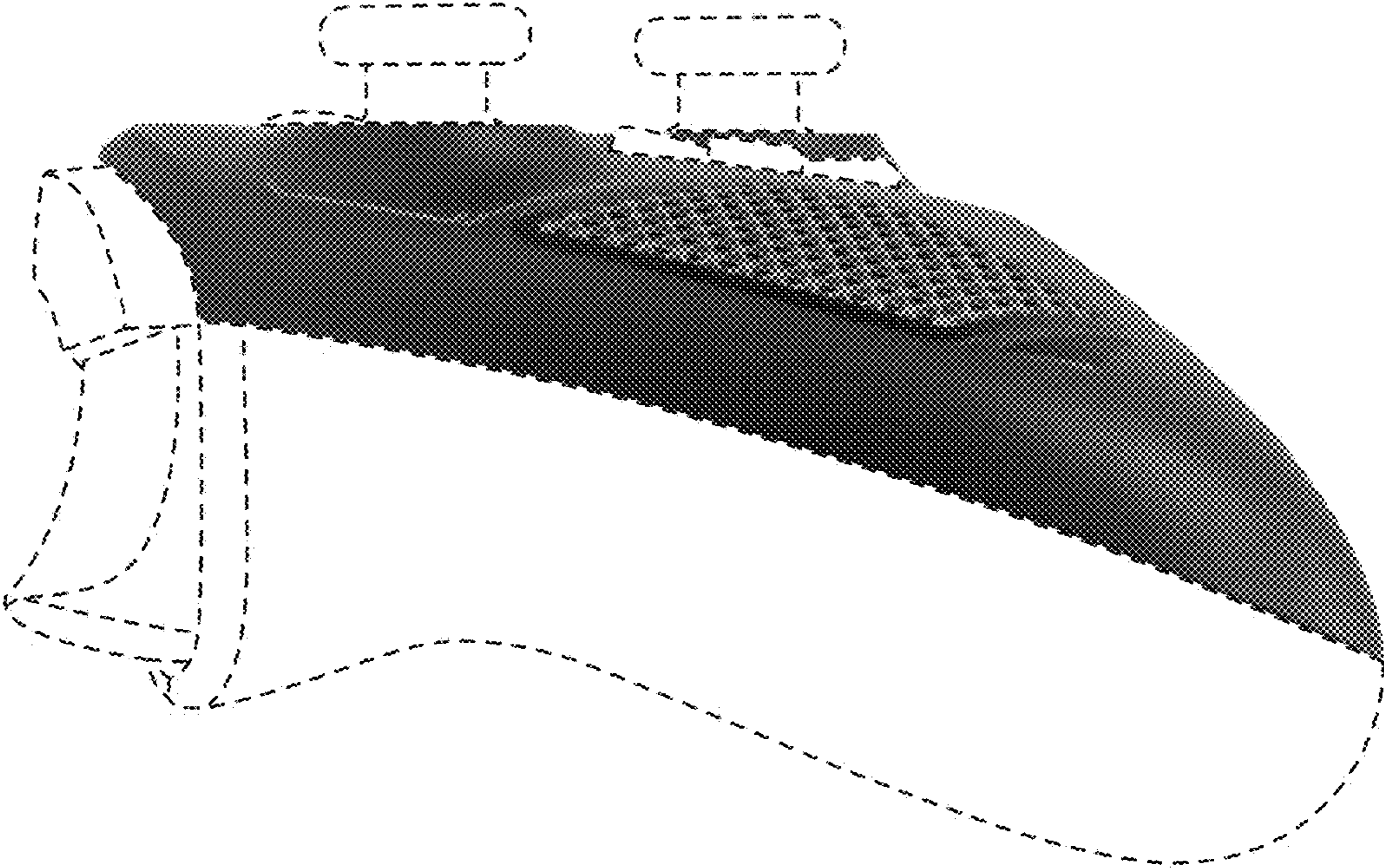


FIG. 5

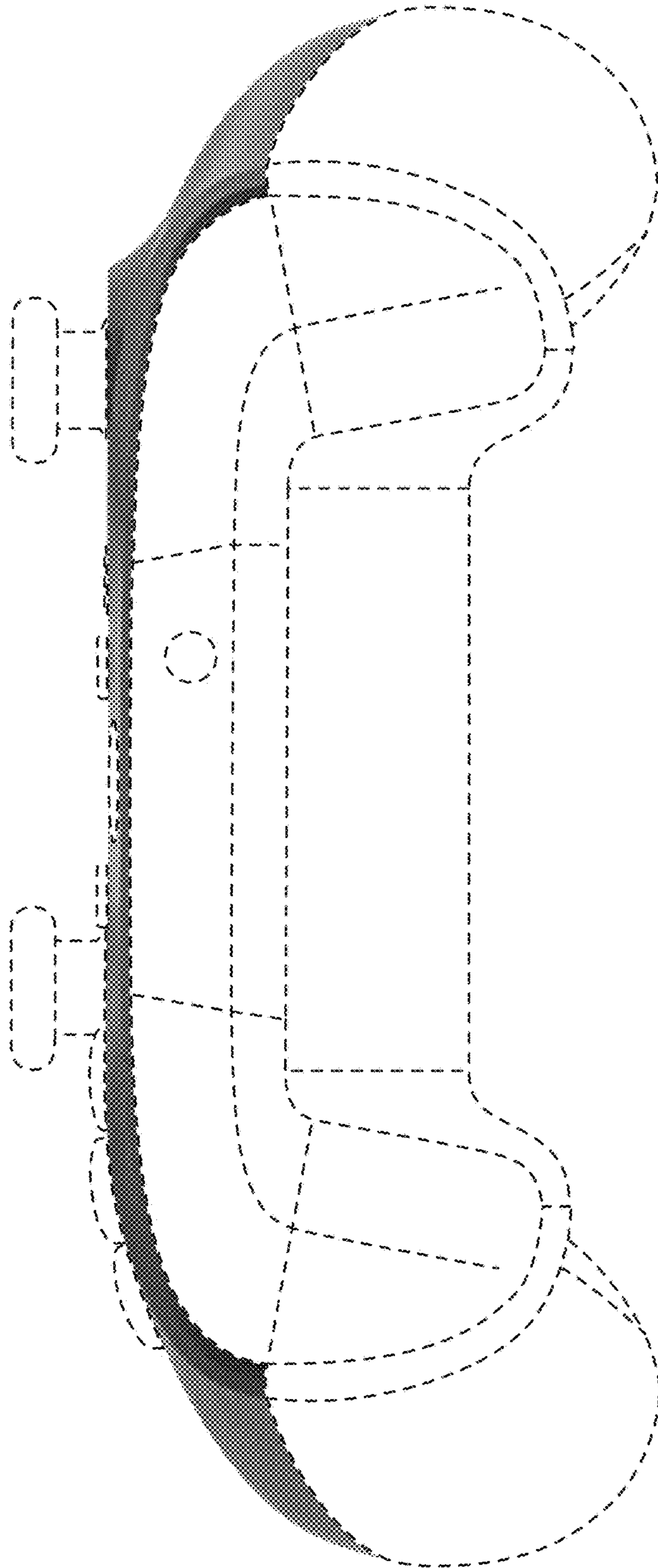


FIG. 6

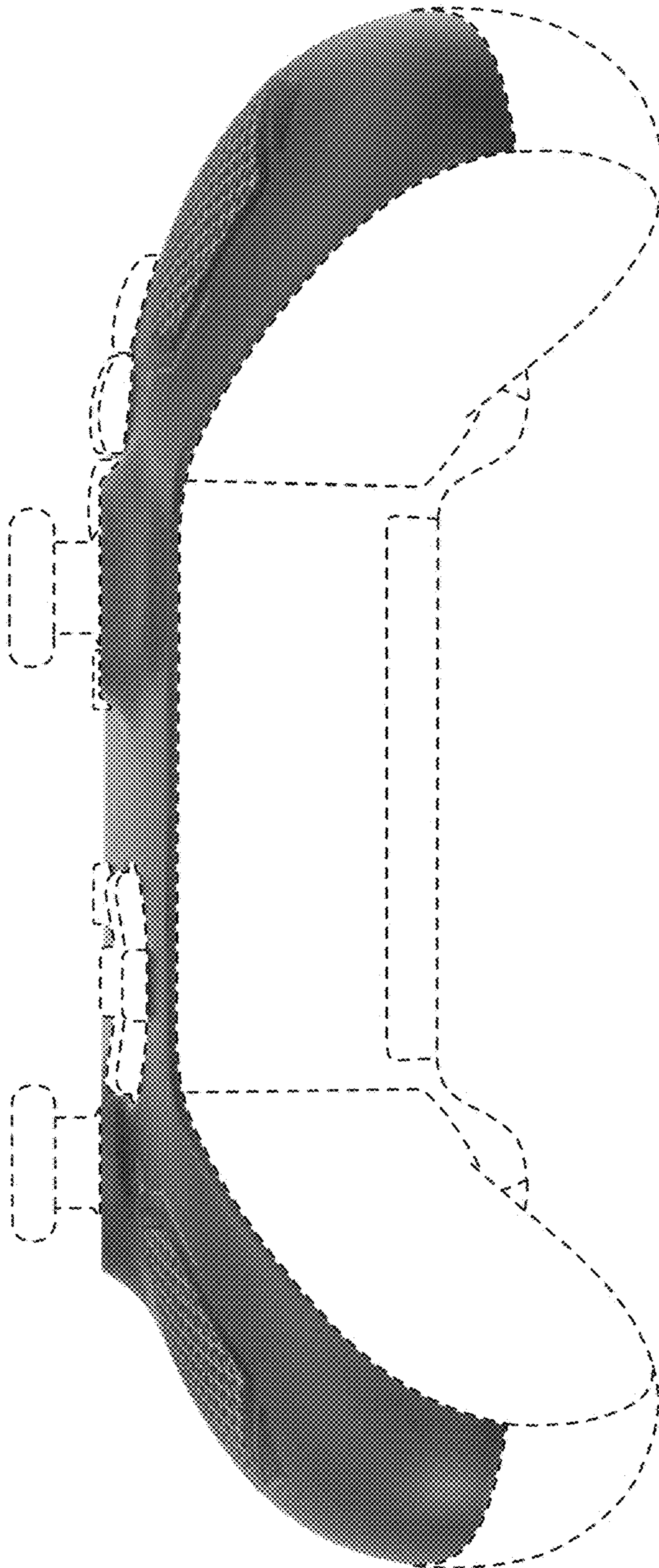


FIG. 7