



US00D825004S

(12) **United States Design Patent** (10) **Patent No.:** **US D825,004 S**
Hardeman et al. (45) **Date of Patent:** **** Aug. 7, 2018**

(54) **SIGN HOLDER**
(71) Applicant: **SIGN SKI, LLC**, Austin, TX (US)
(72) Inventors: **Anna Hardeman**, Austin, TX (US);
Will Hardeman, Austin, TX (US)
(73) Assignee: **SIGN SKI, LLC**, Austin, TX (US)
(**) Term: **15 Years**
(21) Appl. No.: **29/607,569**

D687,895 S * 8/2013 Gaspar dos Santos D20/39
D716,833 S * 11/2014 Donahue D14/486
D717,375 S * 11/2014 Cooper D20/41
D719,612 S * 12/2014 Aleman D20/41
D722,608 S * 2/2015 Donahue D14/486
D723,623 S * 3/2015 Smith D20/41
D724,151 S * 3/2015 Indio da Costa D20/41
D732,980 S * 6/2015 Indio da Costa D10/24
D744,042 S * 11/2015 Kreindel D20/99
D747,222 S * 1/2016 Indio da Costa D10/24
D751,097 S * 3/2016 Sarafa D14/486
D751,648 S * 3/2016 Gongola D20/41
D755,212 S * 5/2016 Bae D14/486
D755,302 S * 5/2016 Jansen D20/41
D767,669 S * 9/2016 Johnson D14/375

(Continued)

(22) Filed: **Jun. 14, 2017**
(51) **LOC (11) Cl.** **20-03**
(52) **U.S. Cl.**
USPC **D20/43**
(58) **Field of Classification Search**
USPC D20/10, 11, 21-28, 37, 39-43, 99;
D6/641, 648.2, 512, 513, 654, 655.2, 656,
D6/661.2, 670, 701, 704, 707, 707.24;
D16/229
CPC G09F 1/00; G09F 1/02; G09F 2003/023;
G09F 2003/0261; G09F 2003/0264; G09F
7/00; G09F 3/206; G09F 13/00; G09F
2007/1807; G09F 13/04; G09F
2013/0427; G09D 3/00; A47B 21/0371;
A47B 2200/0093; A47B 2230/0011;
A47B 2200/0051; A47B 2200/0052;
A47B 2200/0053; A47B 2200/0054;
A47B 2200/0055; A47B 21/02
See application file for complete search history.

Primary Examiner — Karen E Kearney
Assistant Examiner — Sloan Rozin
(74) *Attorney, Agent, or Firm* — Ladas & Parry LLP

(57) **CLAIM**

The ornamental design for a sign holder, as shown and described.

DESCRIPTION

FIG. 1 is a perspective view of the sign holder from the front, above and to the right;
FIG. 2 is a perspective view of the sign holder from the front, above and to the left;
FIG. 3 is a view of the sign holder from the front; the rear view being a mirror image thereof;
FIG. 4 is a right side view, the left-side being a mirror image thereof;
FIG. 5 is a top view; and,
FIG. 6 is a bottom view.

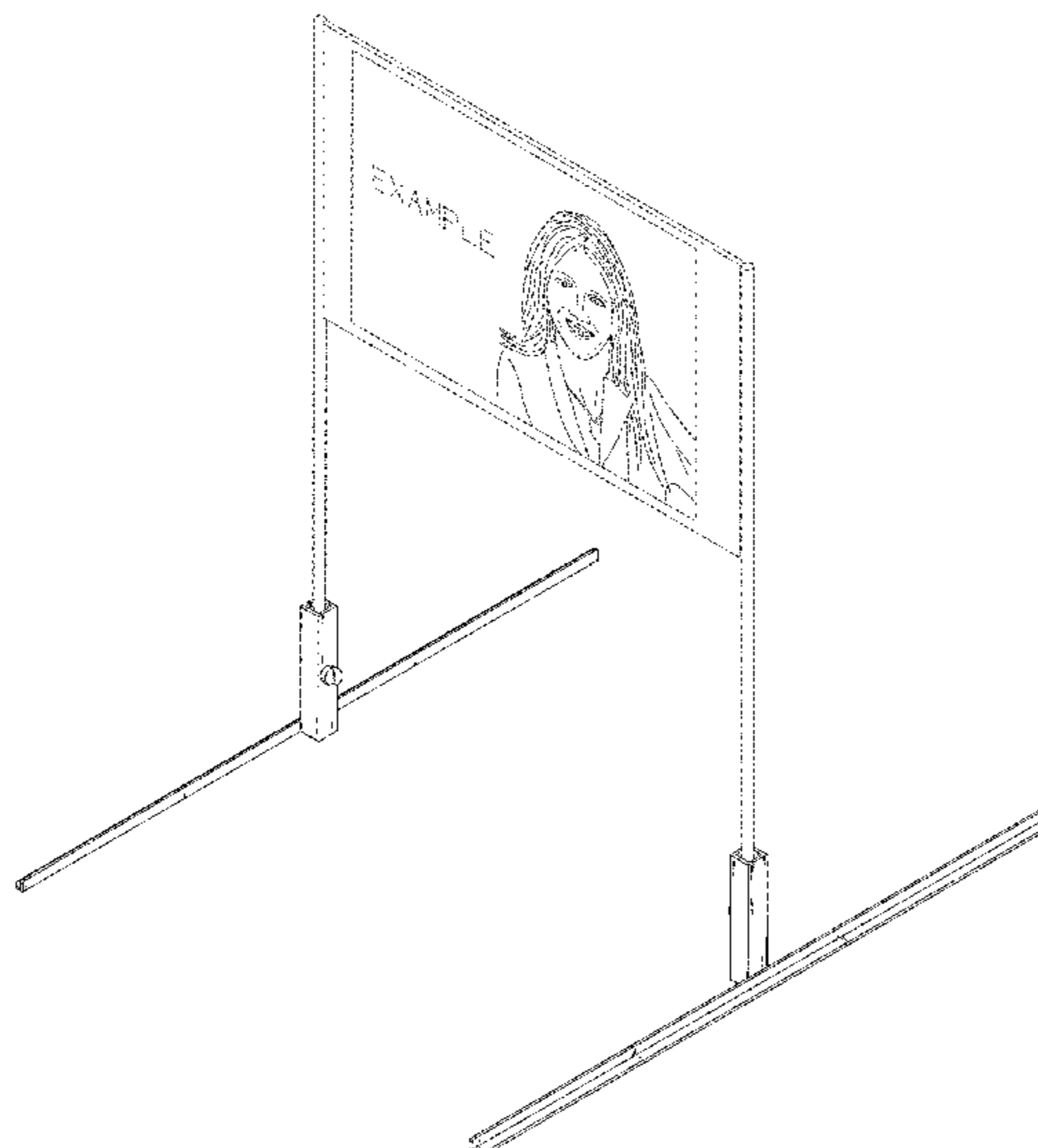
The broken line showing of the sign is for the purpose of illustrating environment and forms no part of the claimed design. The broken line showing of elements on the sign holder illustrate portions of the article and form no part of the claimed design.

1 Claim, 6 Drawing Sheets

(56) **References Cited**

U.S. PATENT DOCUMENTS

D625,760 S * 10/2010 Wormser D20/21
D641,793 S * 7/2011 Dumontier D20/41
D644,267 S * 8/2011 Seo D20/11
D647,970 S * 11/2011 Strempack D20/10
D652,876 S * 1/2012 Lotzof D20/41
D667,889 S * 9/2012 Kurmlavage D20/43



(56)

References Cited

U.S. PATENT DOCUMENTS

D777,258 S * 1/2017 Strempack D20/10
D785,097 S * 4/2017 Fiore D20/38
2012/0244325 A1* 9/2012 Maltas G09F 3/14
428/189

* cited by examiner

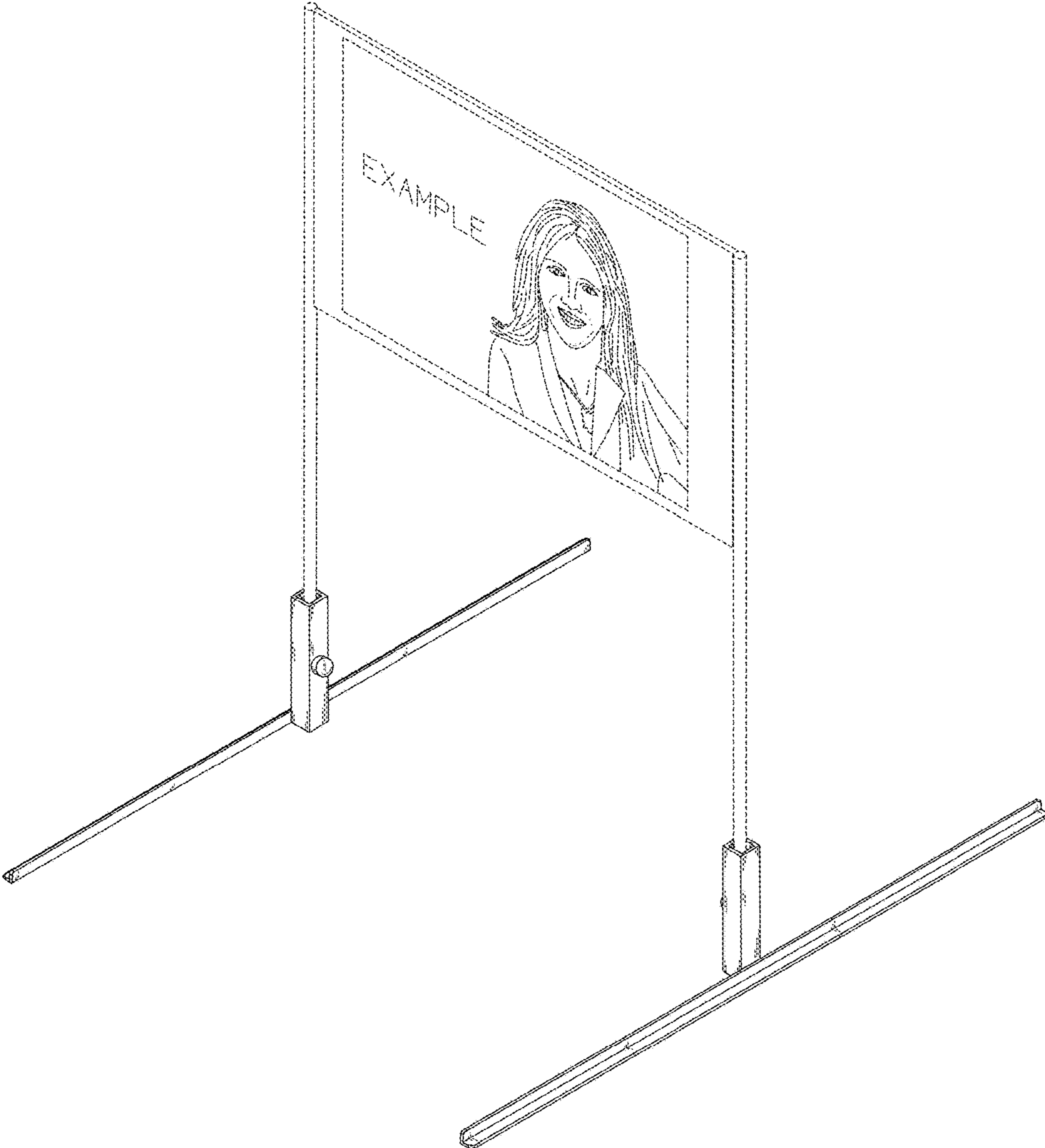


FIG. 1

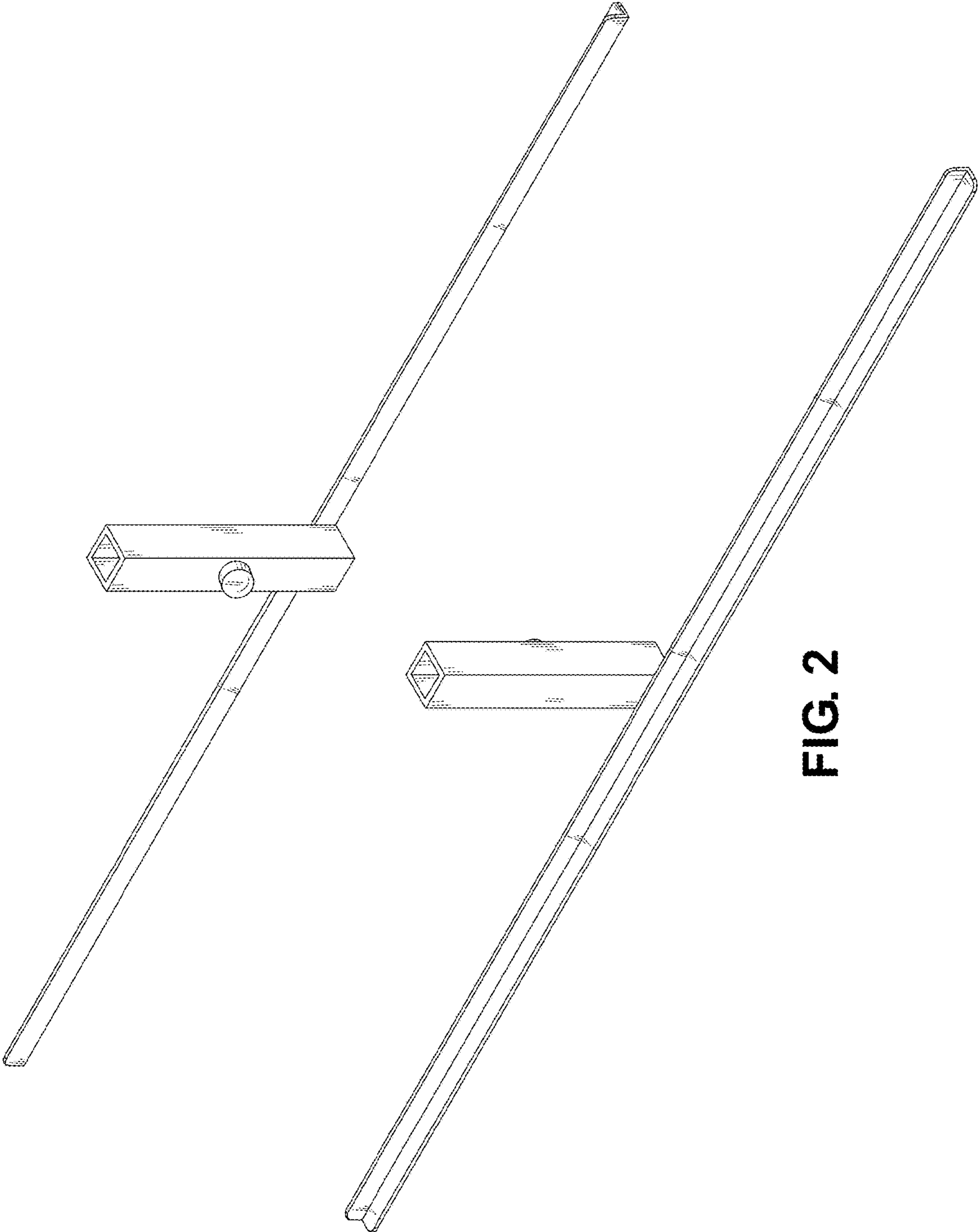


FIG. 2



FIG. 3

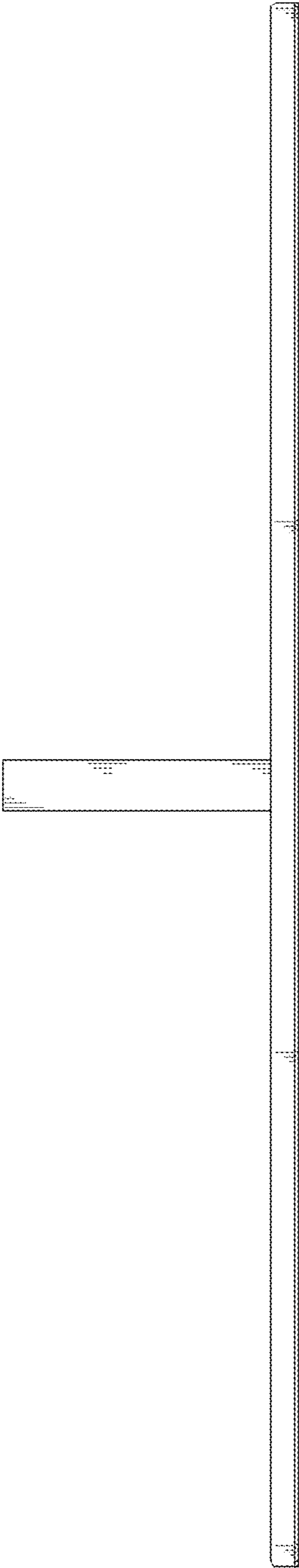


FIG. 4

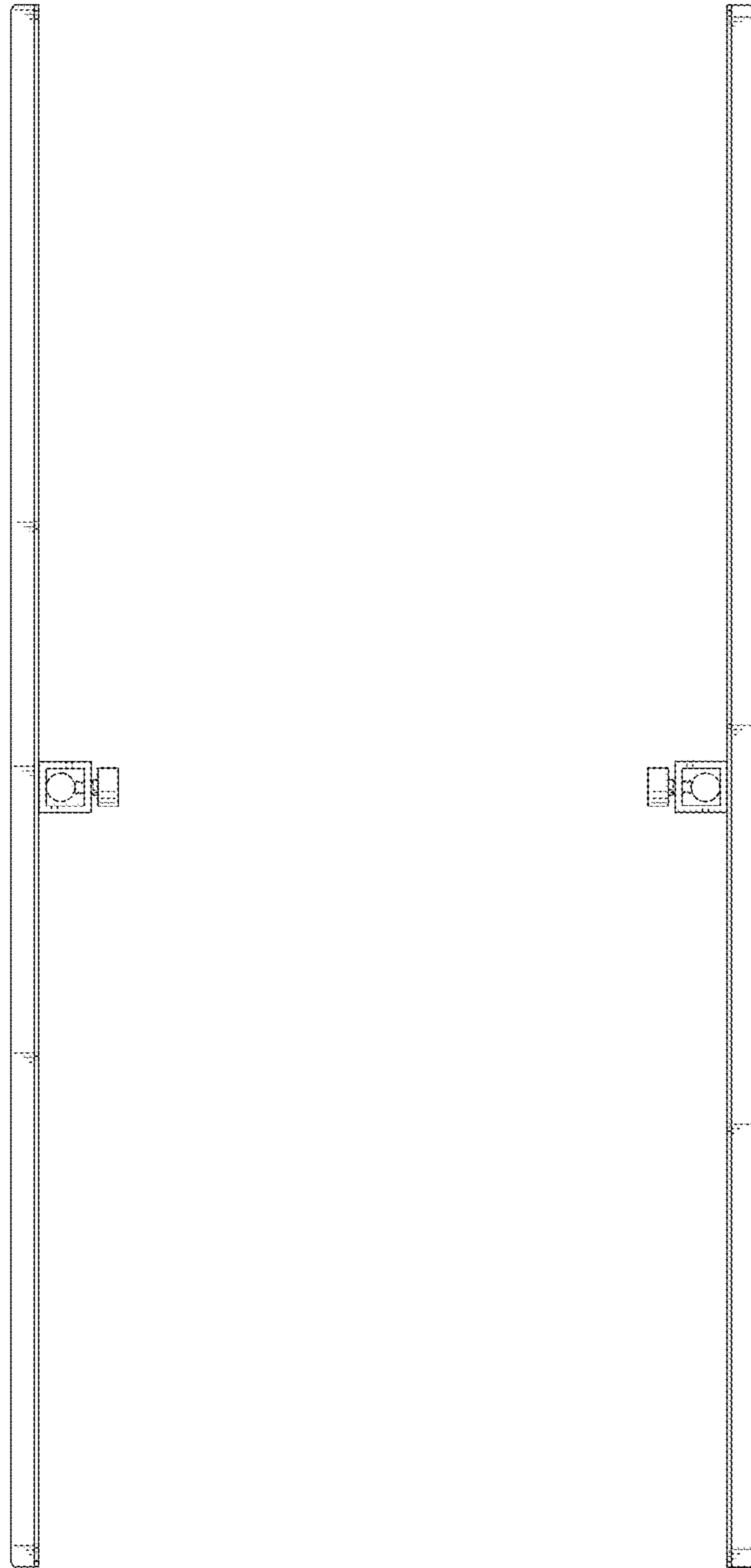


FIG. 5

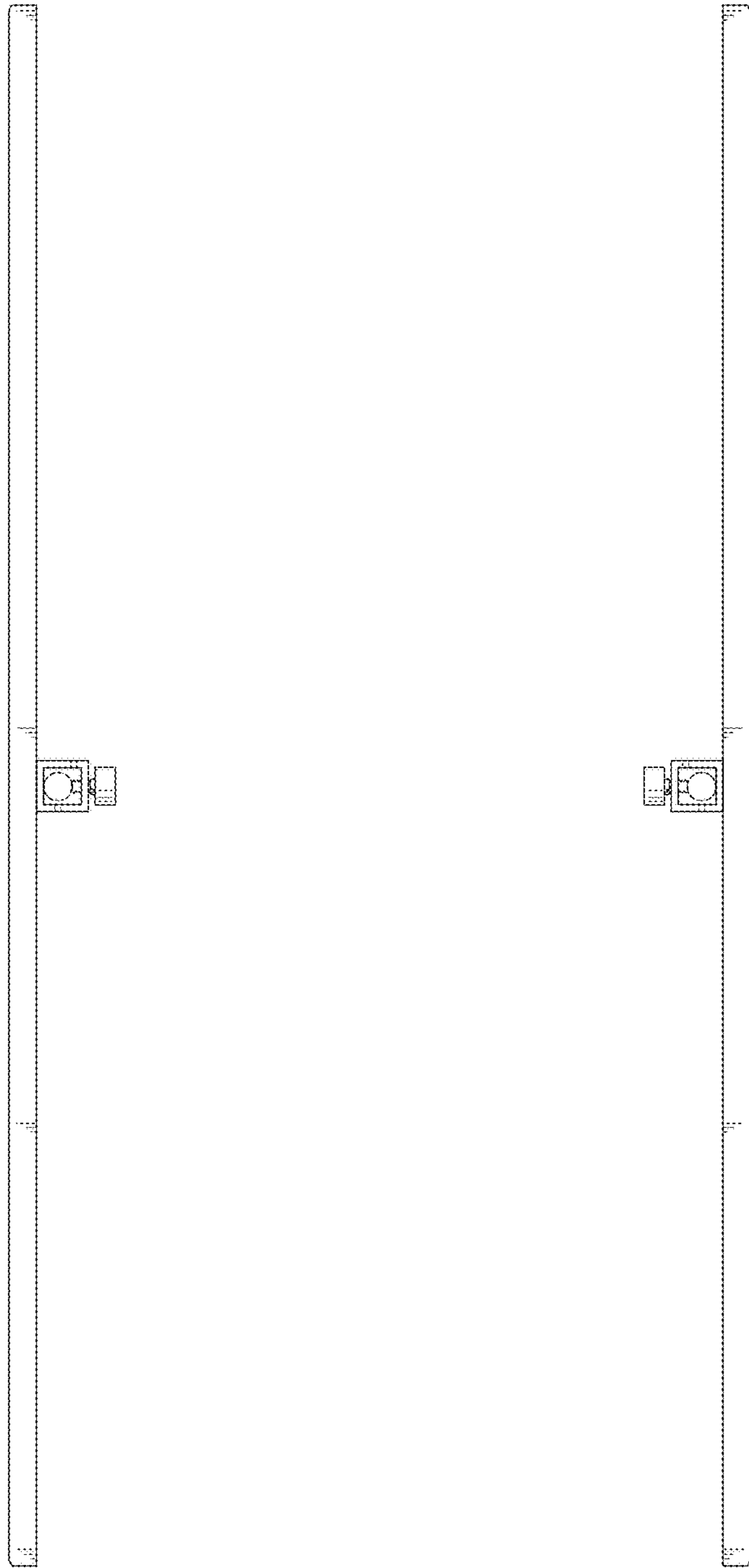


FIG. 6