



US00D825000S

(12) **United States Design Patent** (10) **Patent No.:** **US D825,000 S**
Owusu-Ansah (45) **Date of Patent:** **** Aug. 7, 2018**

- (54) **VEHICLE-MESSAGING SIGN** 6,553,285 B1 * 4/2003 Bahmad B60Q 1/503
116/42
- (71) Applicant: **Benjamin Owusu-Ansah**, Shrewsbury, MA (US) D499,765 S * 12/2004 Tugmon D20/10
D516,626 S * 3/2006 Hearn D20/18
D537,122 S * 2/2007 Silva D20/18
- (72) Inventor: **Benjamin Owusu-Ansah**, Shrewsbury, MA (US) 7,378,948 B2 5/2008 Somuah
D574,437 S 8/2008 Green
7,659,808 B1 2/2010 Cooper
D647,971 S * 11/2011 Browne D20/10
- (**) Term: **15 Years** 2004/0097195 A1 5/2004 Selleck
2004/0239493 A1 * 12/2004 Miller B60Q 1/503
340/471
- (21) Appl. No.: **29/549,395** 2005/0083183 A1 4/2005 Cao
2005/0134441 A1 6/2005 Somuah
- (22) Filed: **Dec. 22, 2015** * cited by examiner
- (51) **LOC (11) Cl.** **20-03**
- (52) **U.S. Cl.**
USPC **D20/10; D20/18**
- (58) **Field of Classification Search**
USPC D20/10, 17-19, 41, 42, 99; D10/113.4;
D26/31
CPC . G09F 7/00; G09F 13/00; G09F 15/00; G09F
9/00; G09F 9/30; G09F 9/3023; G09F
9/35; G09F 21/00; G09F 21/04; G09F
2021/041; B60Q 1/503
See application file for complete search history.

Primary Examiner — Mary Ann Calabrese

(57) **CLAIM**

I claim the ornamental design for a vehicle-messaging sign, as shown and described.

DESCRIPTION

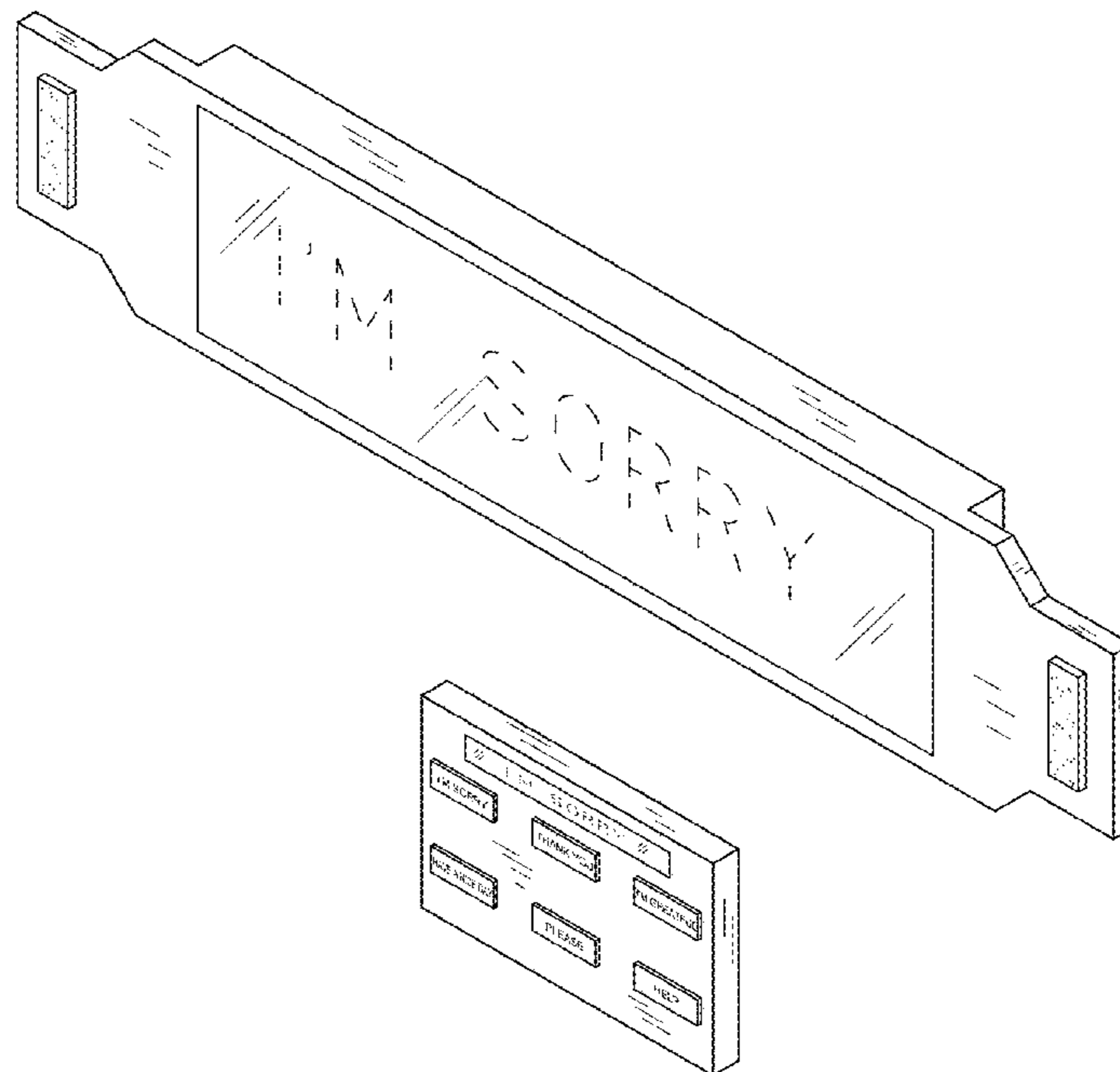
FIG. 1 is a front view of the vehicle-messaging sign.
 FIG. 2 is a back view of the claimed design.
 FIG. 3 is a left side view of the claimed design.
 FIG. 4 is a right side view of the claimed design.
 FIG. 5 is a top view of the claimed design; and,
 FIG. 6 is a perspective view of the claimed design.
 The broken lines appearing in the lettering "I'M SORRY" on FIGS. 1 and 6 are broken lines forming no part of the claimed design.
 The broken lines appearing on the back in FIG. 2 show portions of the article that form no part of the claimed design.

1 Claim, 5 Drawing Sheets

(56) **References Cited**

U.S. PATENT DOCUMENTS

- 4,631,516 A * 12/1986 Clinker B60Q 1/503
340/464
- 5,053,746 A 10/1991 Taneo
- D341,438 S * 11/1993 Samson D26/31
- D349,517 S * 8/1994 Neff D10/114.1
- D367,679 S * 3/1996 Vitali D20/42
- 5,905,434 A 5/1999 Steffan
- 6,300,870 B1 10/2001 Nelson
- D463,050 S * 9/2002 Zwisler D26/31



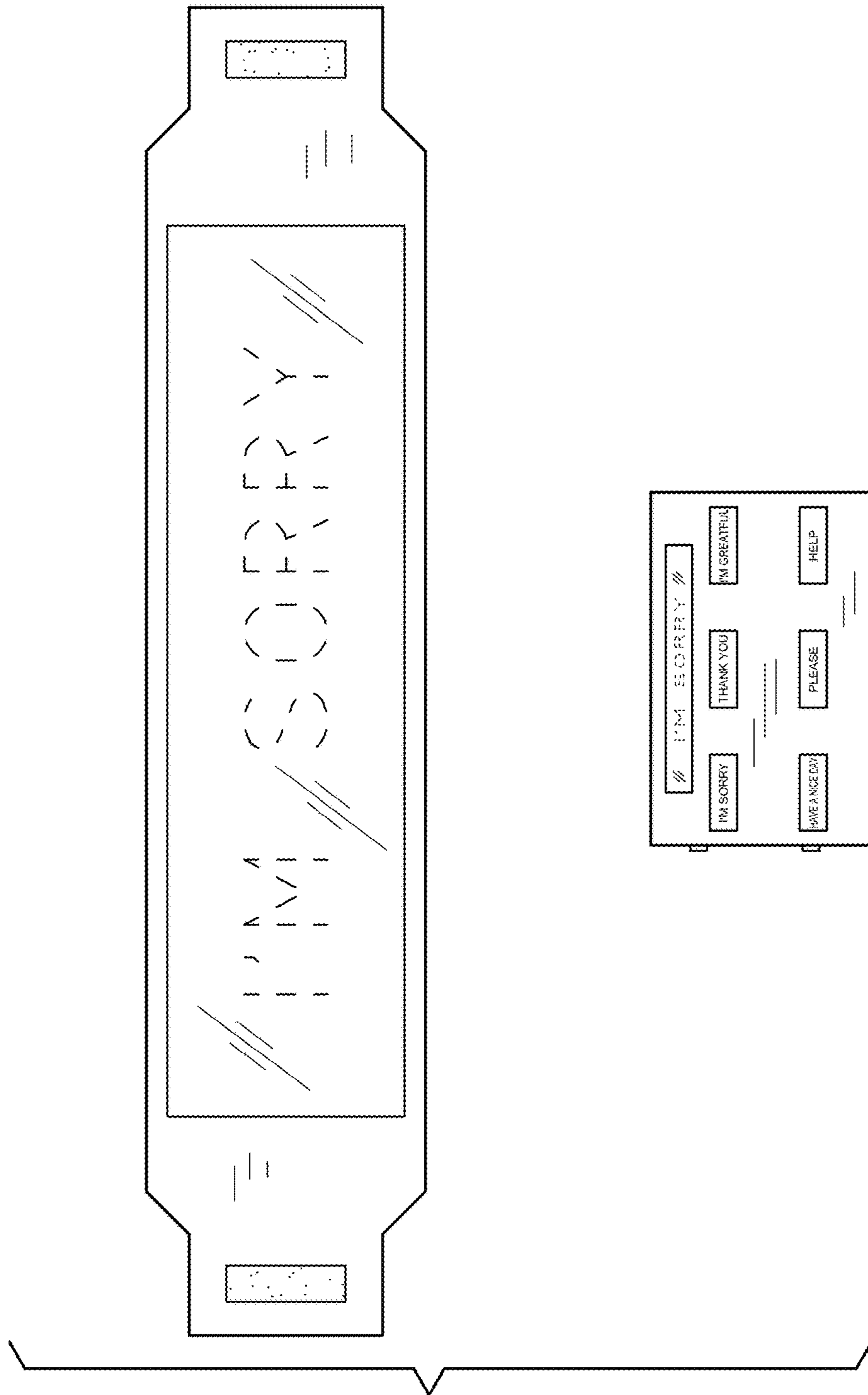


FIG. 1

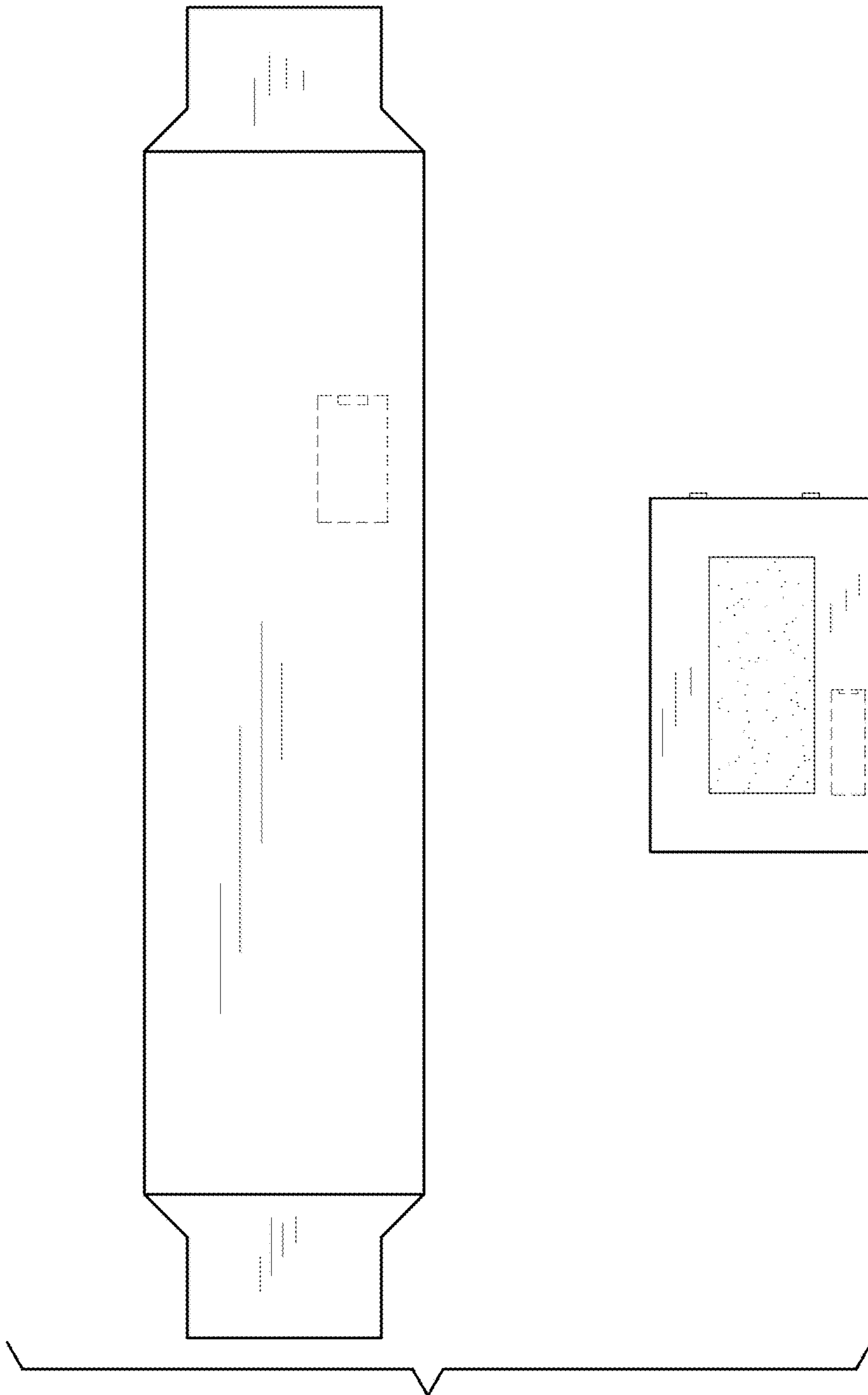


FIG. 2

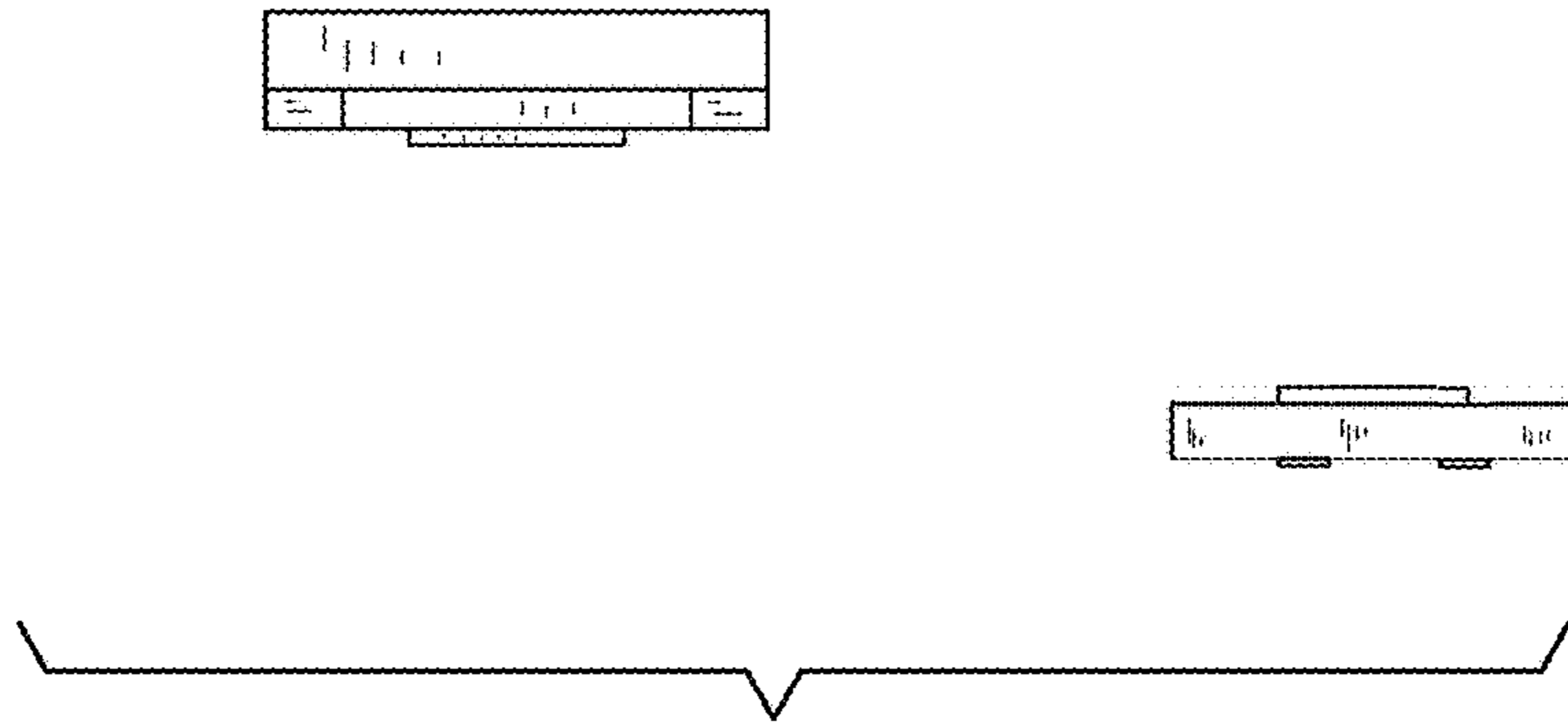


FIG. 4

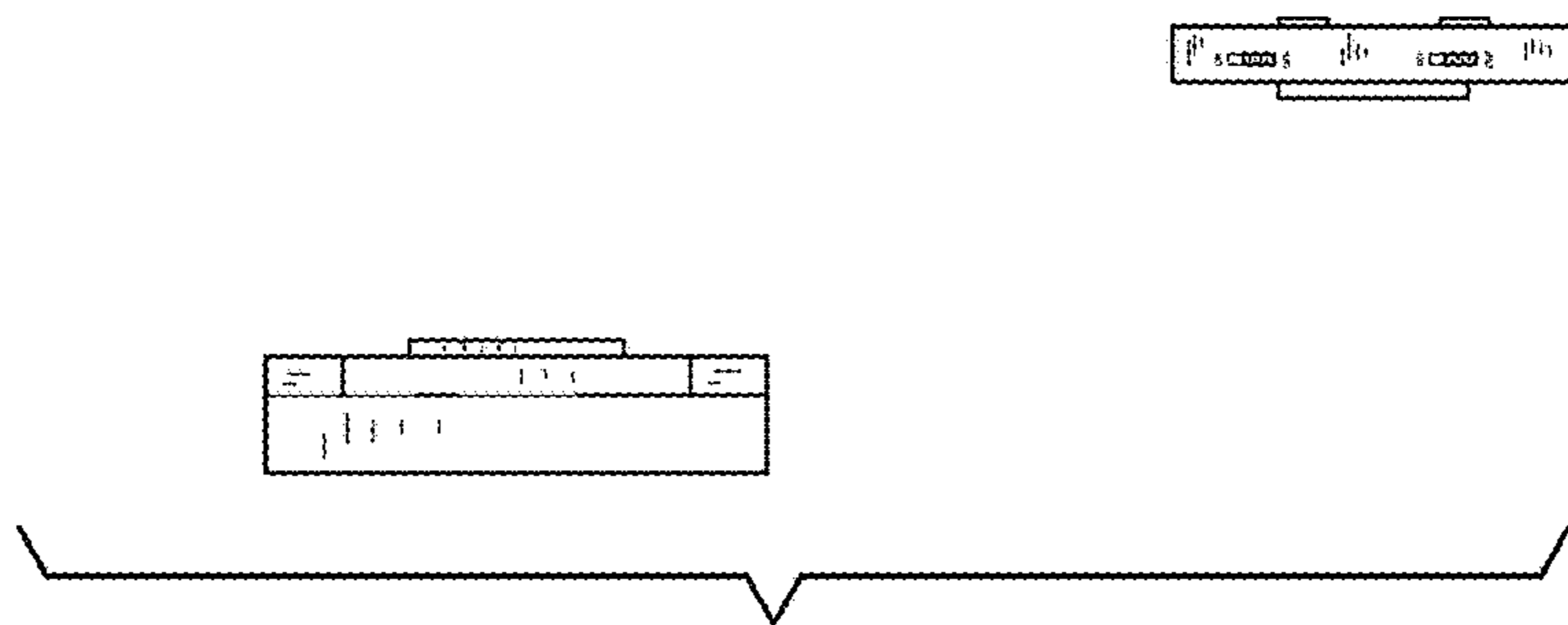


FIG. 3

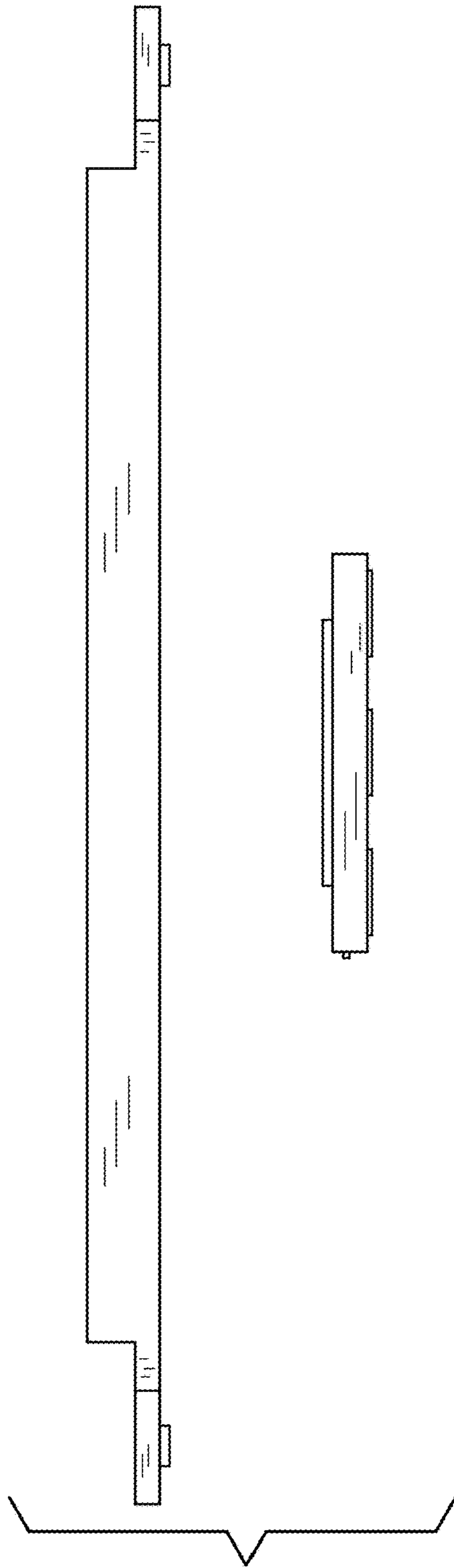


FIG. 5

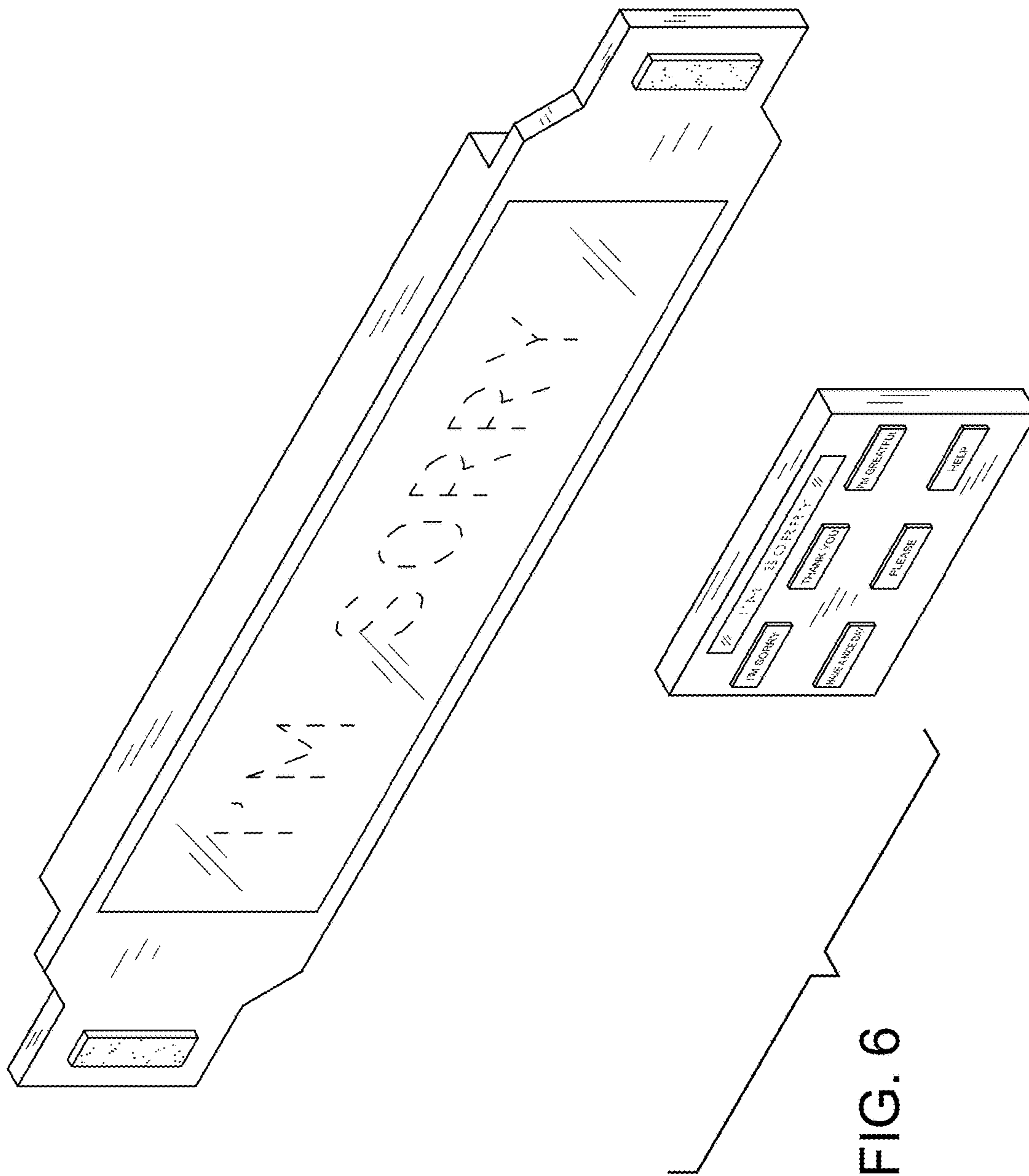


FIG. 6