

US00D824991S

(12) **United States Design Patent** (10) **Patent No.:** **US D824,991 S**  
**Sato** (45) **Date of Patent:** **\*\* Aug. 7, 2018**

(54) **LIGHT SHIELD**

(71) Applicant: **SONY INTERACTIVE ENTERTAINMENT INC.**, Tokyo (JP)

(72) Inventor: **Fumihiko Sato**, Tokyo (JP)

(73) Assignee: **SONY INTERACTIVE ENTERTAINMENT INC.**, Tokyo (JP)

(\*\*) Term: **15 Years**

(21) Appl. No.: **29/582,368**

(22) Filed: **Oct. 27, 2016**

(30) **Foreign Application Priority Data**

Apr. 27, 2016 (JP) ..... 2016-009337

(51) **LOC (11) Cl.** ..... **16-06**

(52) **U.S. Cl.**  
USPC ..... **D16/303**

(58) **Field of Classification Search**  
USPC ..... D16/101, 300-342, 900; D29/109-110;  
D21/483, 659-661; D14/372; 351/41,  
351/44, 45-48, 51-52, 62, 158, 92,  
351/103-123, 140-153, 63, 59; 2/13, 15,  
2/426-432, 447-449, 441, 434-437;  
D15/122; D18/50; D22/115, 116  
CPC ..... G02C 2200/08; G02C 1/06; G02C 5/14;  
G02C 11/02; G02C 11/04; G02C 5/16;  
G02C 2200/22; G02C 5/146; G02C  
5/2254; G02C 5/008; G01C 5/16; A61M  
2021/0044; A63B 33/002  
See application file for complete search history.

(56) **References Cited**

**U.S. PATENT DOCUMENTS**

D358,150 S \* 5/1995 Lewis, Jr. .... D14/205  
D374,025 S \* 9/1996 Canavan ..... D16/326  
D378,847 S \* 4/1997 Ey ..... D22/112  
D701,206 S \* 3/2014 Luckey ..... D14/372  
D719,953 S \* 12/2014 Nokuo ..... D14/372

D727,318 S \* 4/2015 Garcia Marin ..... D14/372  
D738,374 S \* 9/2015 Luckey ..... D14/372  
D749,583 S \* 2/2016 Luckey ..... D14/372  
D751,072 S \* 3/2016 Lyons ..... D14/372  
D755,789 S \* 5/2016 Lyons ..... D14/372  
D759,654 S \* 6/2016 Sullivan ..... D14/372  
D764,466 S \* 8/2016 Kim ..... D14/372

(Continued)

**OTHER PUBLICATIONS**

Hyperkin Light Shield PS VR, announced Aug. 19, 2017, [online], [site visited Feb. 8, 2018]. Available from Internet, <URL: https://www.amazon.com/Hyperkin-Replacement-Light-Shield-playstation-4/dp/B07645VNXW/ref=sr\_1\_1?s=videogames&ie=UTF8&qid=1516123074&sr=1-1 &keywords=Replacennent+Light+Shield+for+VR> (Year: 2017).\*

*Primary Examiner* — Eric L Goodman

*Assistant Examiner* — Sanjeev Paul

(74) *Attorney, Agent, or Firm* — Young & Thompson

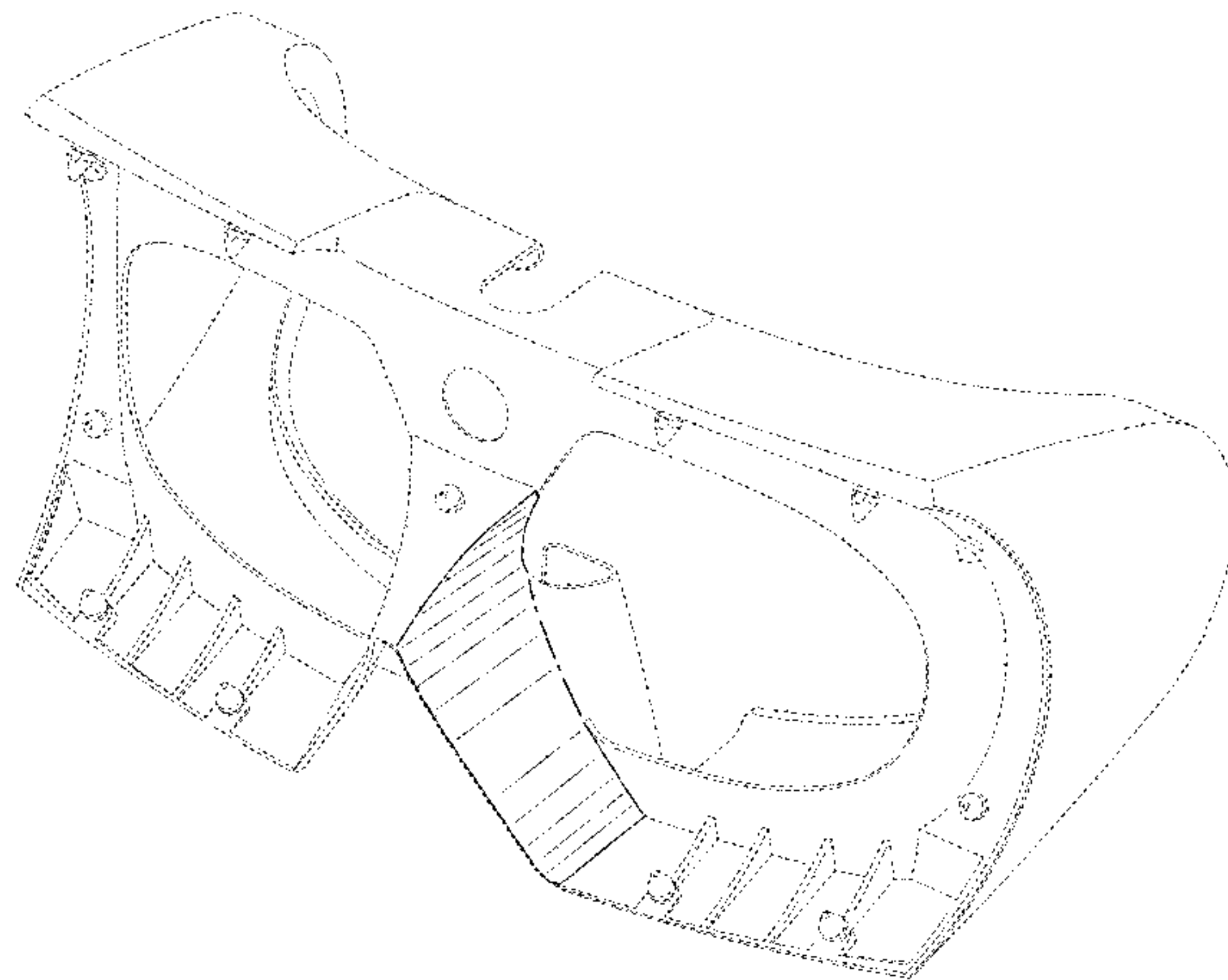
(57) **CLAIM**

The ornamental design for the light shield, as shown and described.

**DESCRIPTION**

FIG. 1 is a perspective view of rear, right side of the light shield showing my new design;  
FIG. 2 is a front view thereof;  
FIG. 3 is a rear view thereof;  
FIG. 4 is a left side view thereof;  
FIG. 5 is a right side view thereof;  
FIG. 6 is a top view thereof;  
FIG. 7 is a bottom view thereof; and,  
FIG. 8 is a perspective view showing use state that the light shield is equipped with the display device thereof.  
The portions of the article shown in broken lines form no part of the claimed design. The dot and dashed line means a boundary between the claimed portion and non-claimed portion which form no part of the claimed design.

**1 Claim, 7 Drawing Sheets**



(56)

**References Cited**

U.S. PATENT DOCUMENTS

D765,074	S	*	8/2016	Katopis	.....	D14/372
D773,460	S	*	12/2016	Yang	.....	D14/372
D791,126	S	*	7/2017	Sullivan	.....	D14/372
D791,129	S	*	7/2017	Sullivan	.....	D14/372
D792,399	S	*	7/2017	Thomas	.....	D14/372
D792,400	S	*	7/2017	Osterhout	.....	D14/372
9,703,103	B2	*	7/2017	Araki	.....	G02B 27/028
D798,863	S	*	10/2017	Li	.....	D14/372
D799,482	S	*	10/2017	Thomas	.....	D14/372
D800,116	S	*	10/2017	Yee	.....	D14/372
D800,117	S	*	10/2017	Yee	.....	D14/372
D801,969	S	*	11/2017	Yee	.....	D14/372
D801,970	S	*	11/2017	Sullivan	.....	D14/372
D807,354	S	*	1/2018	Yee	.....	D14/372

\* cited by examiner

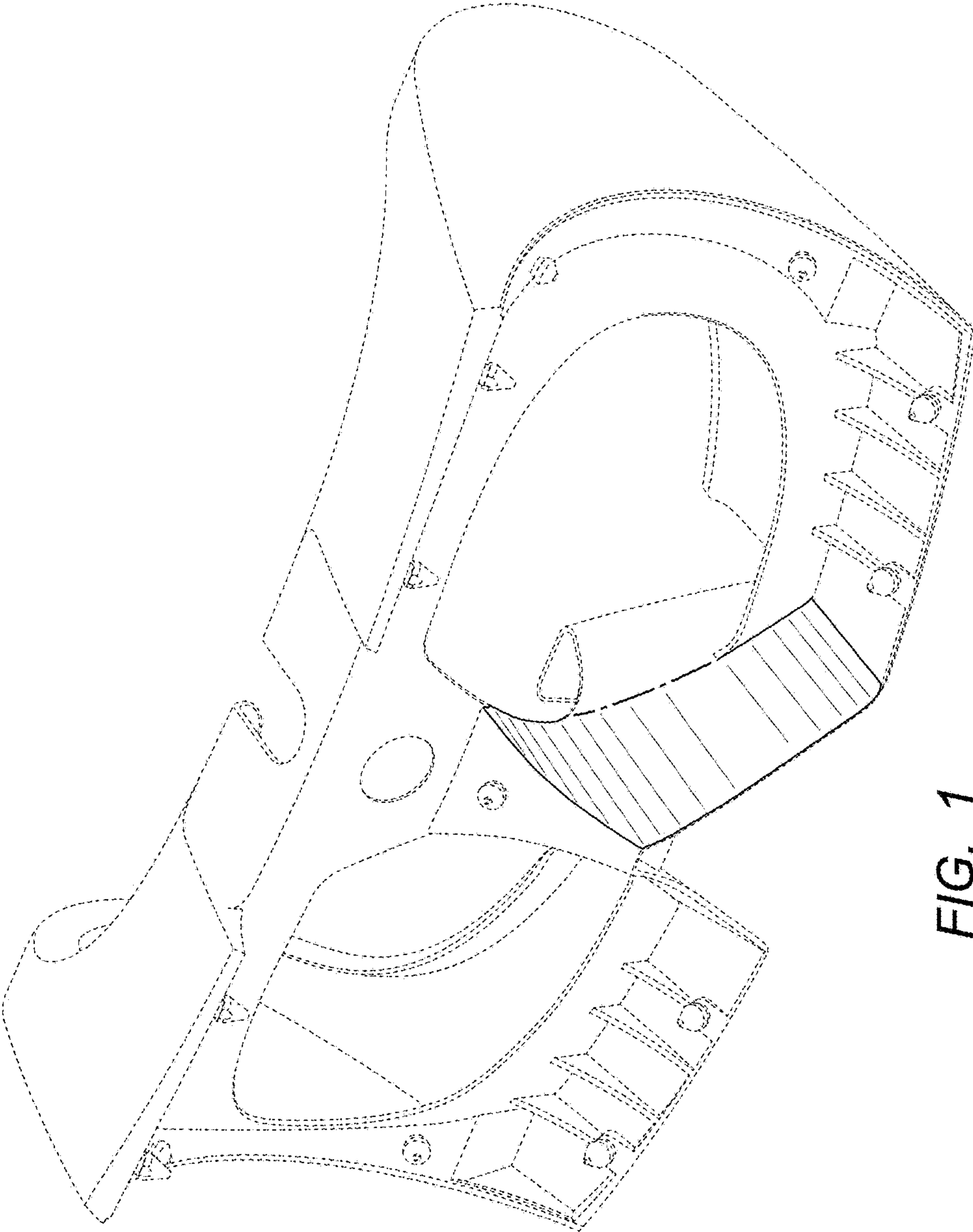


FIG. 1

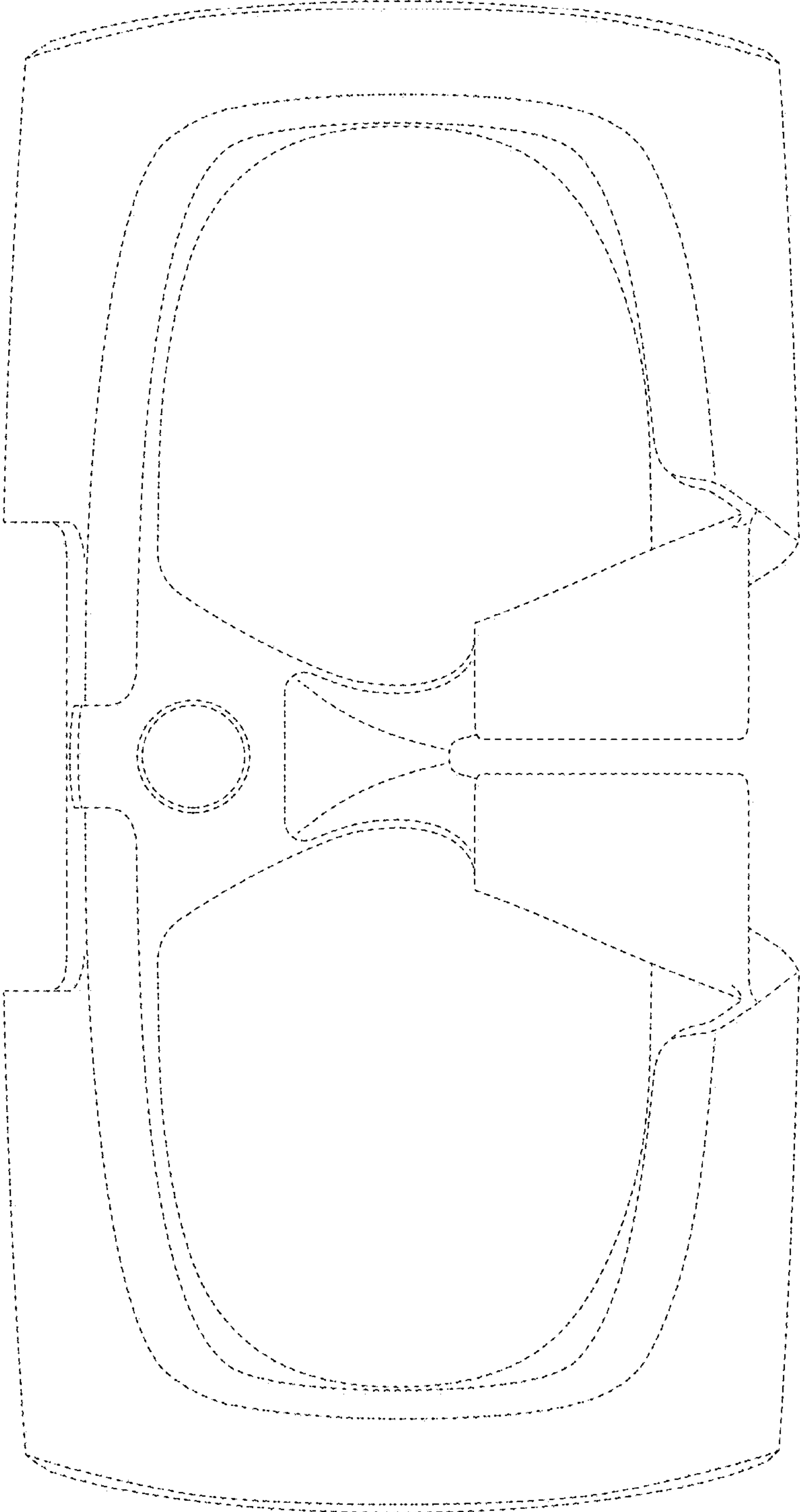


FIG. 2

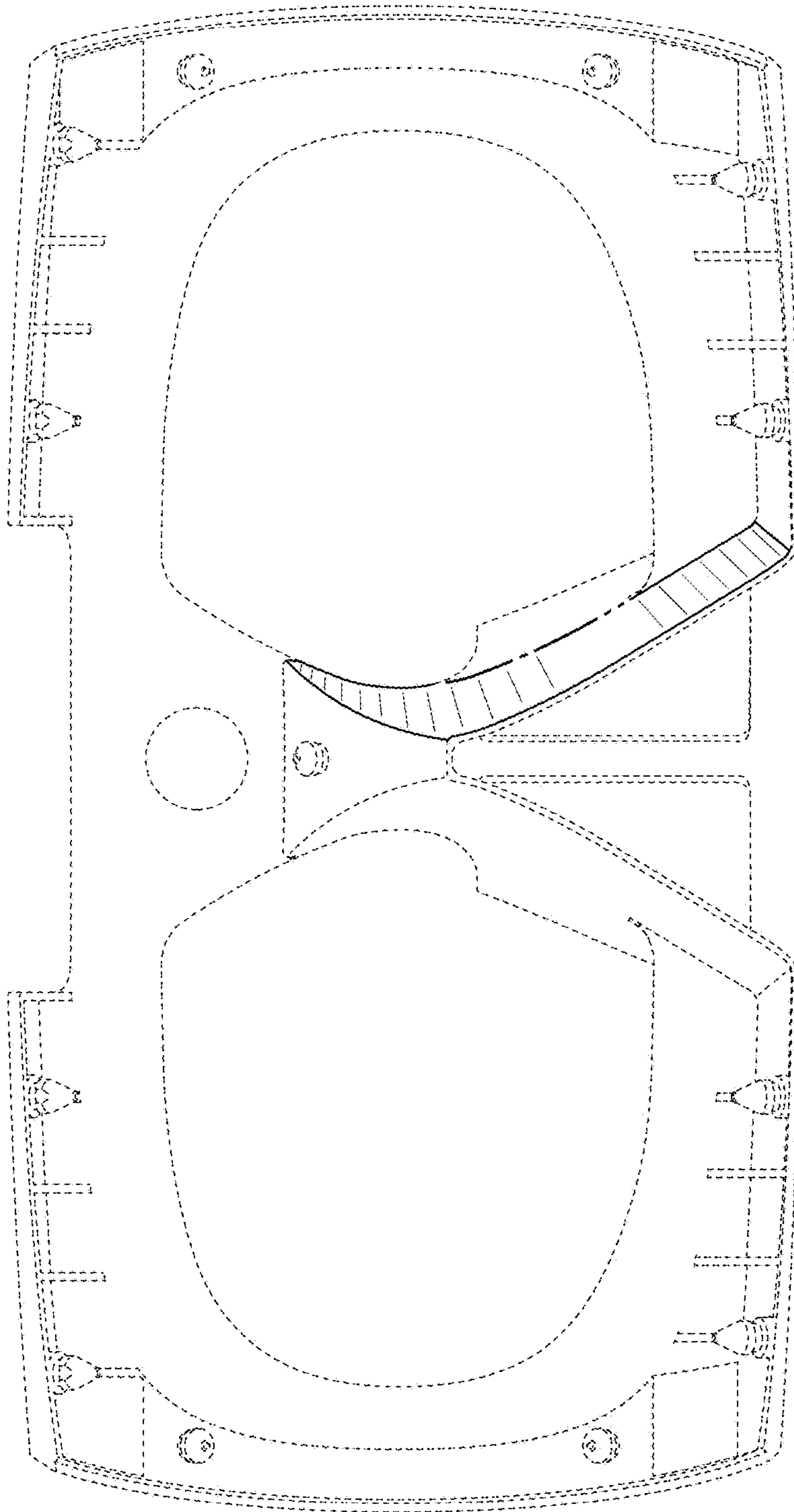


FIG. 3



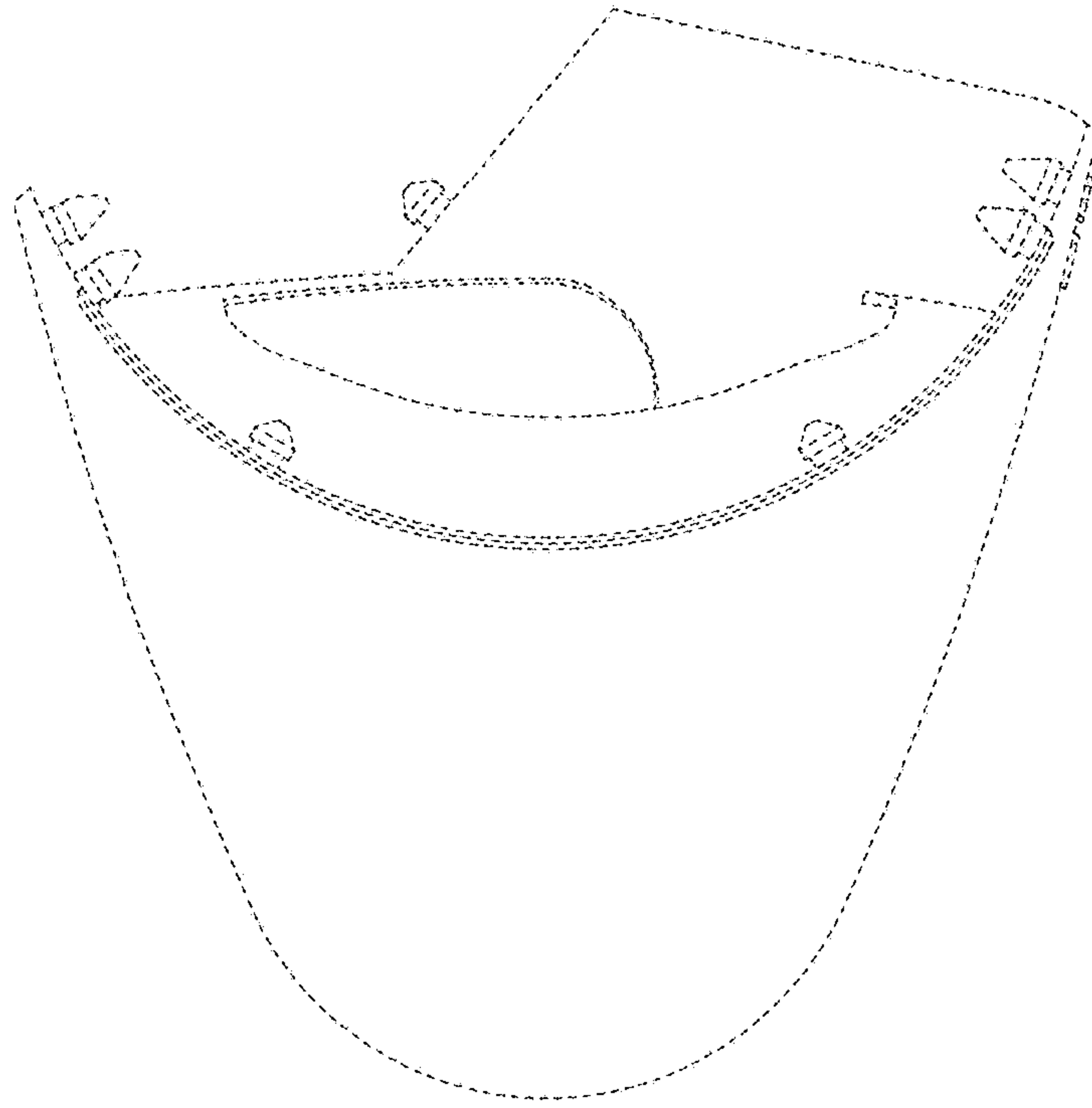


FIG. 5

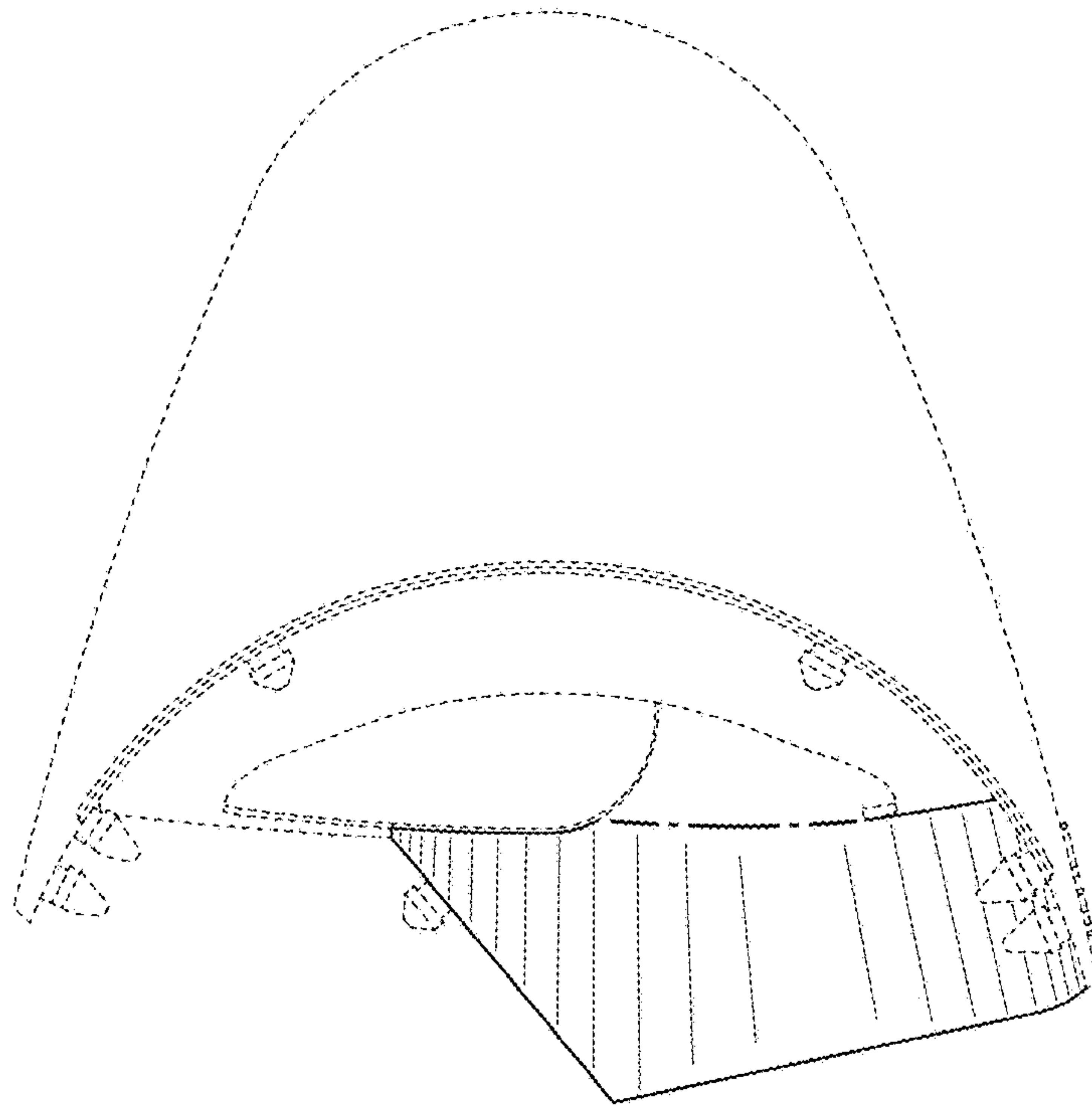


FIG. 4

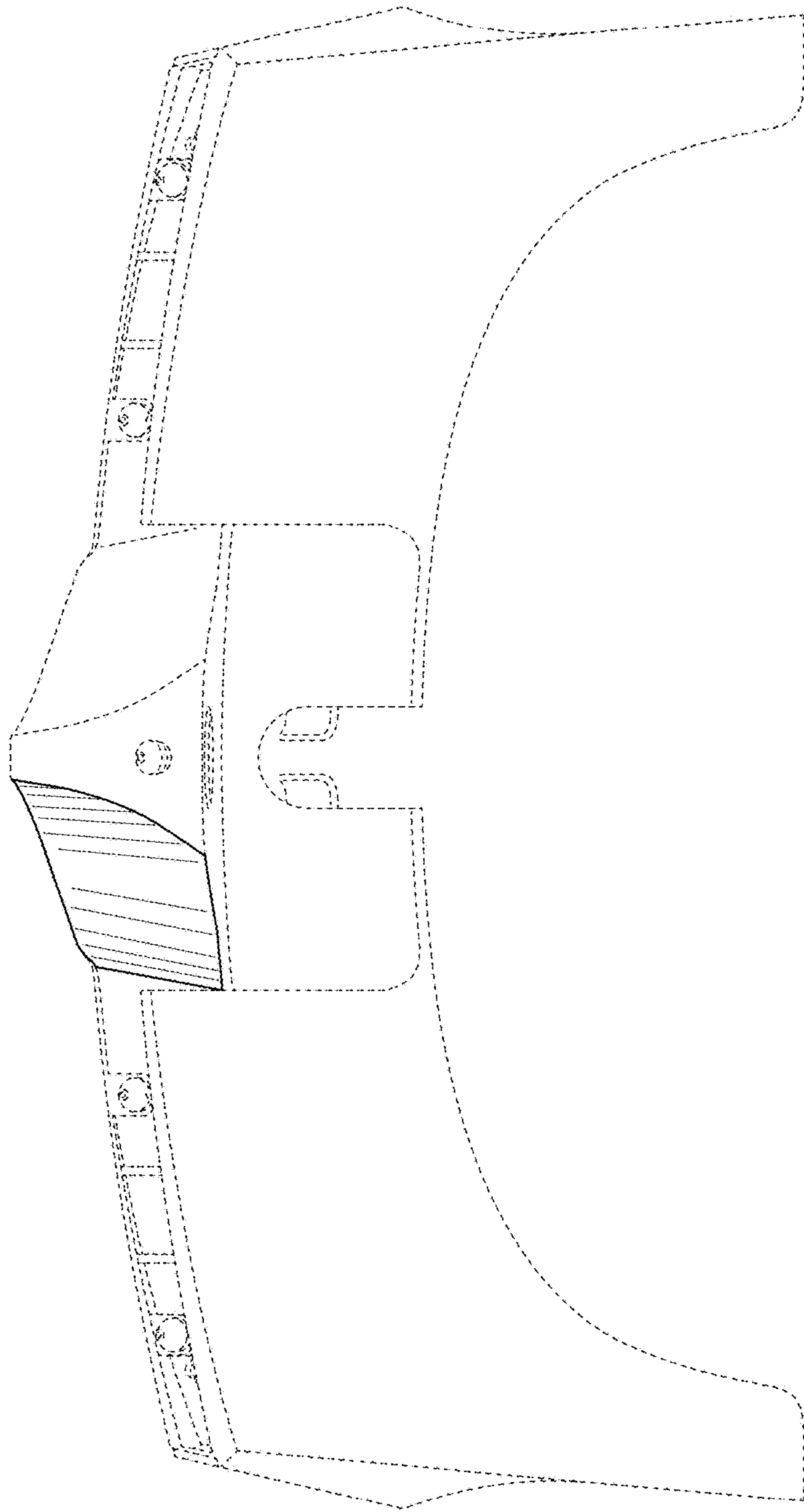


FIG. 6

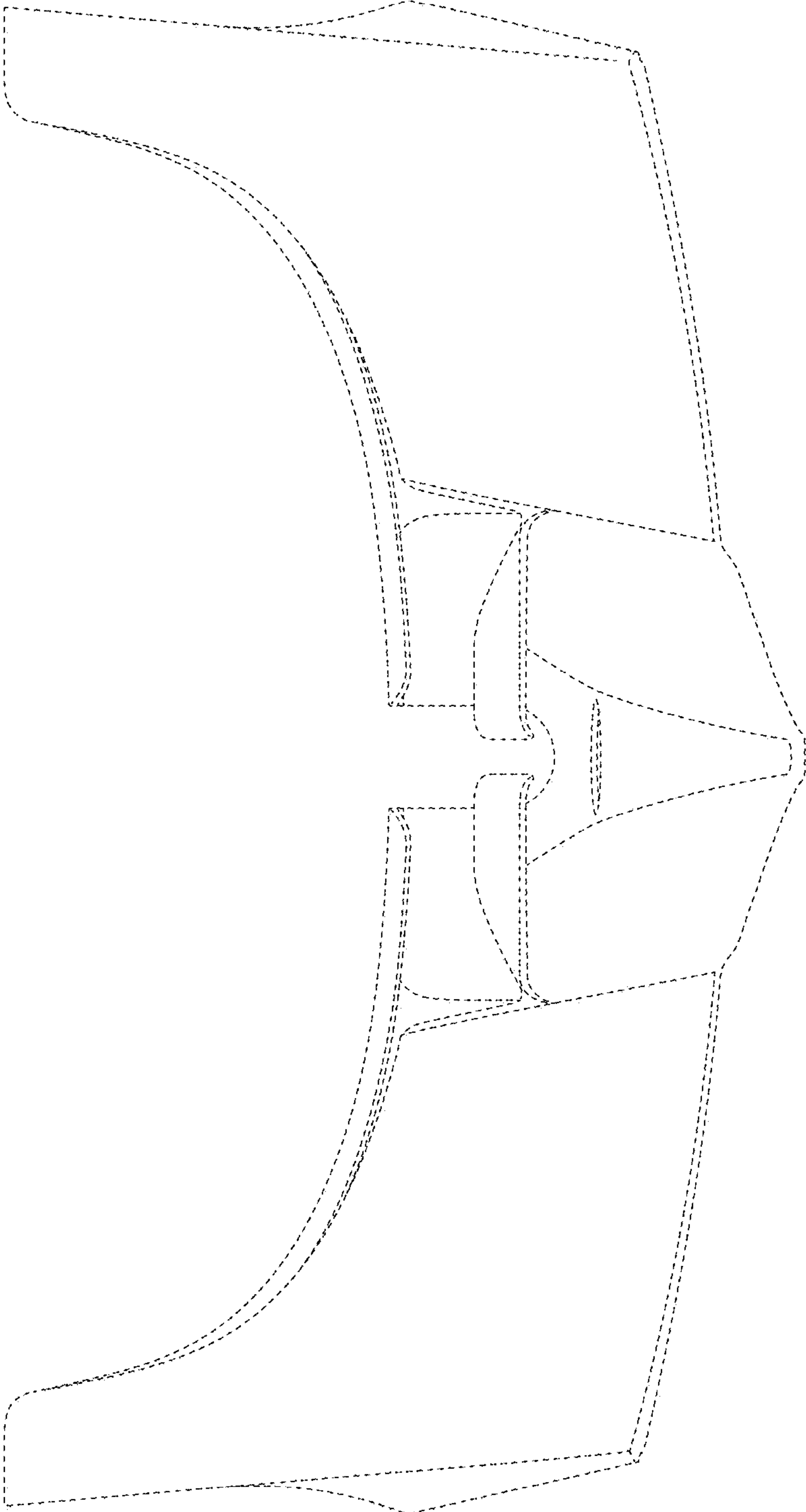


FIG. 7



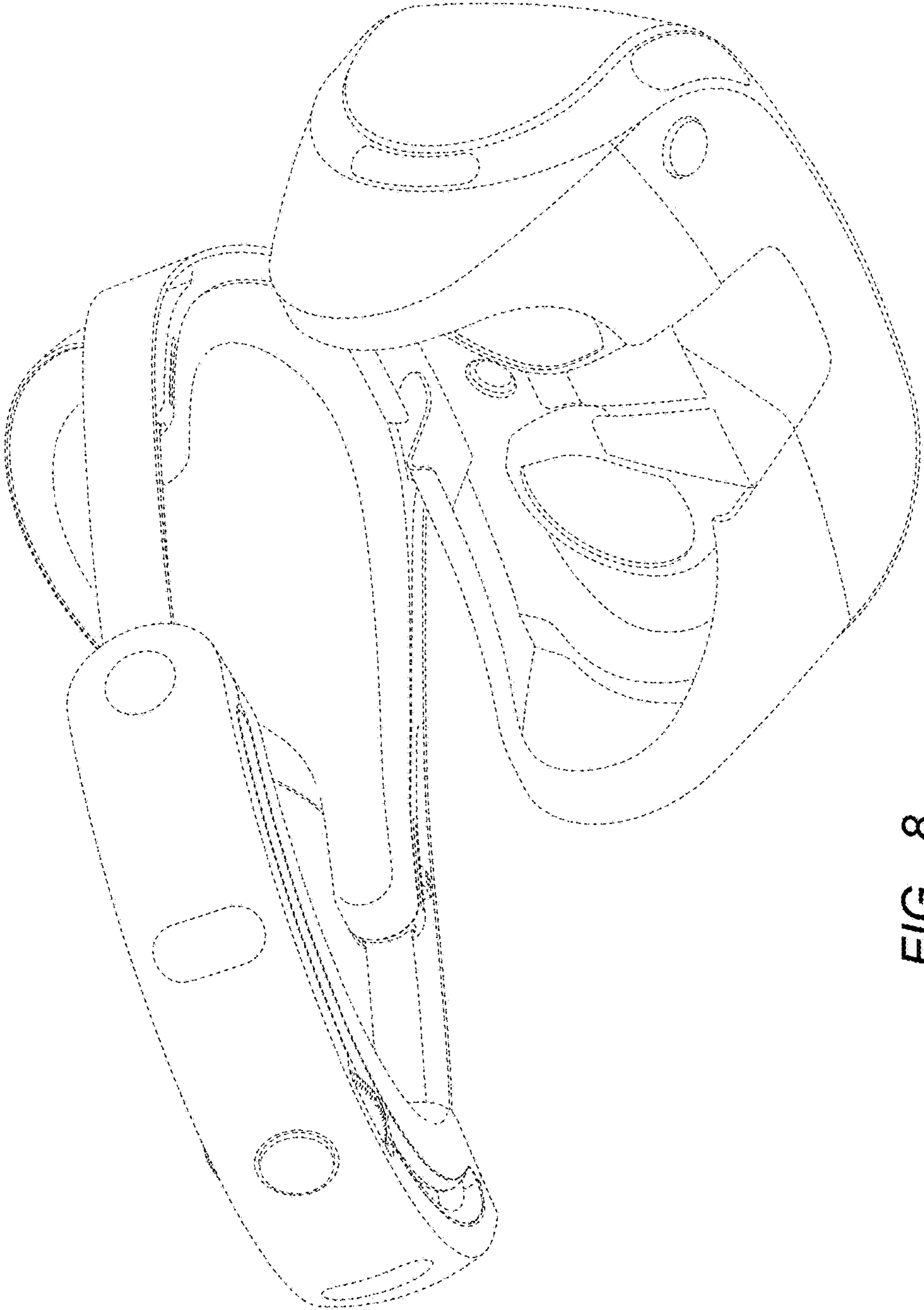


FIG. 8