



US00D824989S

(12) **United States Design Patent** (10) **Patent No.:** **US D824,989 S**  
**Hinkel** (45) **Date of Patent:** **\*\* Aug. 7, 2018**

(54) **HOLDER FOR ELECTRONIC CAMERAS**

(71) Applicant: **MOBOTIX AG**, Winnweiler (DE)

(72) Inventor: **Ralf Hinkel**, Höringen (DE)

(73) Assignee: **Mobotix AG**, Winnweiler (DE)

(\*\*) Term: **15 Years**

(21) Appl. No.: **29/554,606**

(22) Filed: **Feb. 12, 2016**

(30) **Foreign Application Priority Data**

Nov. 18, 2015 (EM) ..... 002864520-0001  
Nov. 18, 2015 (EM) ..... 002864520-0002

(51) **LOC (11) Cl.** ..... **16-05**

(52) **U.S. Cl.**  
USPC ..... **D16/242**

(58) **Field of Classification Search**  
USPC ..... D16/200, 208, 213-219, 235, 237,  
D16/238-250; D14/209, 217, 224, 251;  
D8/307, 310, 349, 367  
CPC ..... G03B 17/14; G03B 17/56; G03B  
17/561-17/568; G03B 15/041-15/0436;  
G02B 7/00-7/002; G02B 7/02-7/04;  
F16M 11/02; F16M 11/04; F16M 11/20;  
F16M 11/40

See application file for complete search history.

(56) **References Cited**

**U.S. PATENT DOCUMENTS**

D342,732 S \* 12/1993 Hinman ..... D14/150  
D403,328 S \* 12/1998 Wakefield ..... D14/229  
D449,286 S \* 10/2001 Wakefield ..... D14/150  
D470,527 S \* 2/2003 Oliver ..... D16/242

D473,546 S \* 4/2003 Hovanky ..... D14/217  
D598,221 S \* 8/2009 Zarelius ..... D6/708.23  
D602,797 S \* 10/2009 Marks ..... D10/106.2  
D645,071 S \* 9/2011 Hinkel ..... D16/203  
D679,458 S \* 4/2013 Decaluwe ..... D30/155  
D776,747 S \* 1/2017 Lenihan ..... D16/245

**FOREIGN PATENT DOCUMENTS**

EM 002736124-000 \* 7/2015  
EM 003641497-000 \* 1/2017

**OTHER PUBLICATIONS**

AOFU PS4 Controller Charger. [online] Published date unknown. Retrieved on Feb. 22, 2017 from <URL: <http://www.vgnetwork.com/shop/playstation-4/ps4-accessories/aofu-ps4-controller-charger-triangle-dock-triple-charger-docking-station-stand-for-ps4-playstation-4-ds4-dualshock-4-controllers/>>.\*

\* cited by examiner

*Primary Examiner* — Garth Rademaker  
*Assistant Examiner* — Omeed Agilee  
(74) *Attorney, Agent, or Firm* — Faegre Baker Daniels LLP

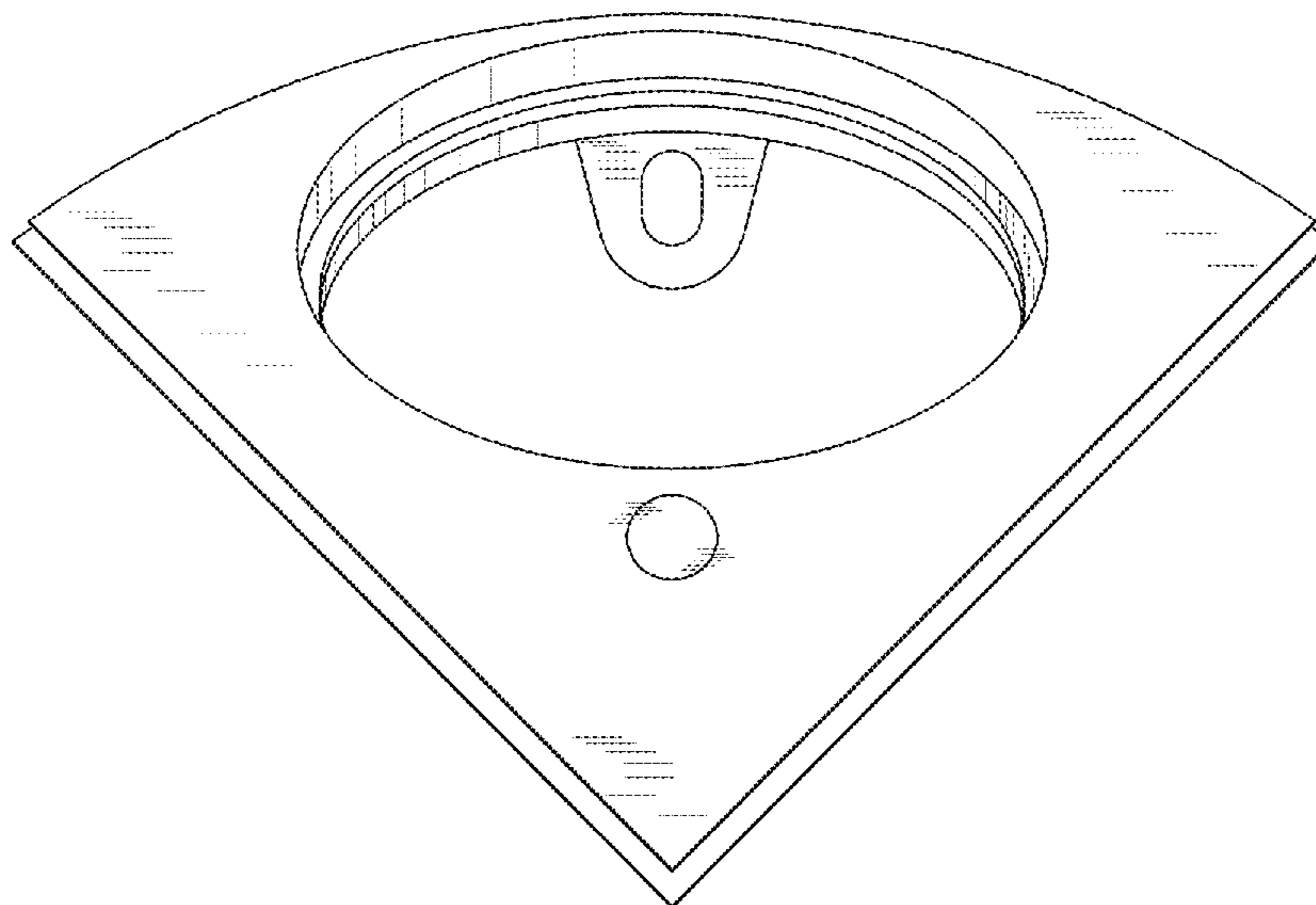
(57) **CLAIM**

The ornamental design for a holder for electronic cameras, as shown and described.

**DESCRIPTION**

FIG. 1 is a front perspective view of the holder for electronic cameras;  
FIG. 2 is a rear perspective view thereof;  
FIG. 3 is a right side perspective view thereof;  
FIG. 4 is a left side perspective view thereof;  
FIG. 5 is a top perspective view thereof; and,  
FIG. 6 is a bottom perspective view thereof.

**1 Claim, 6 Drawing Sheets**



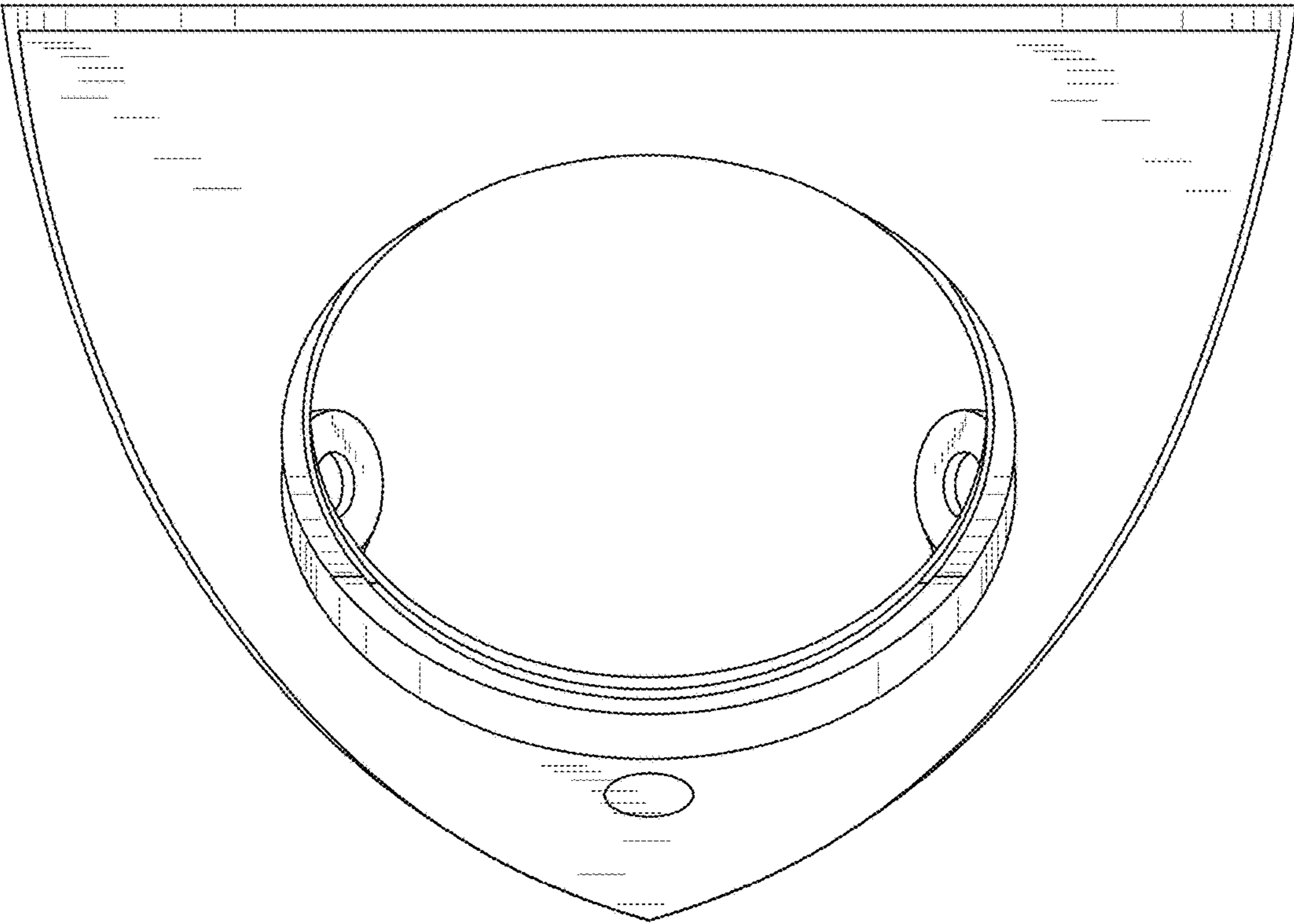


FIG. 1

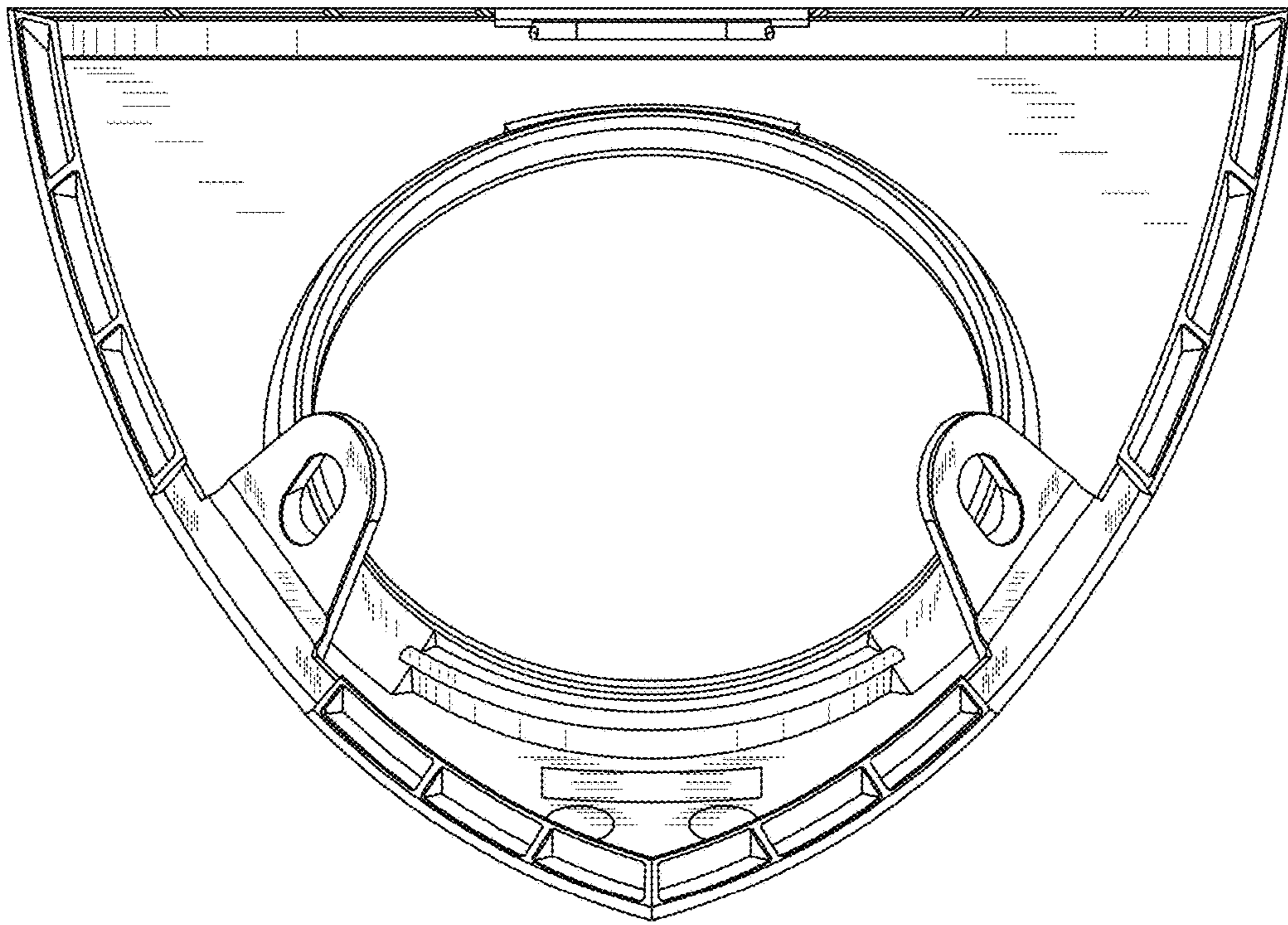
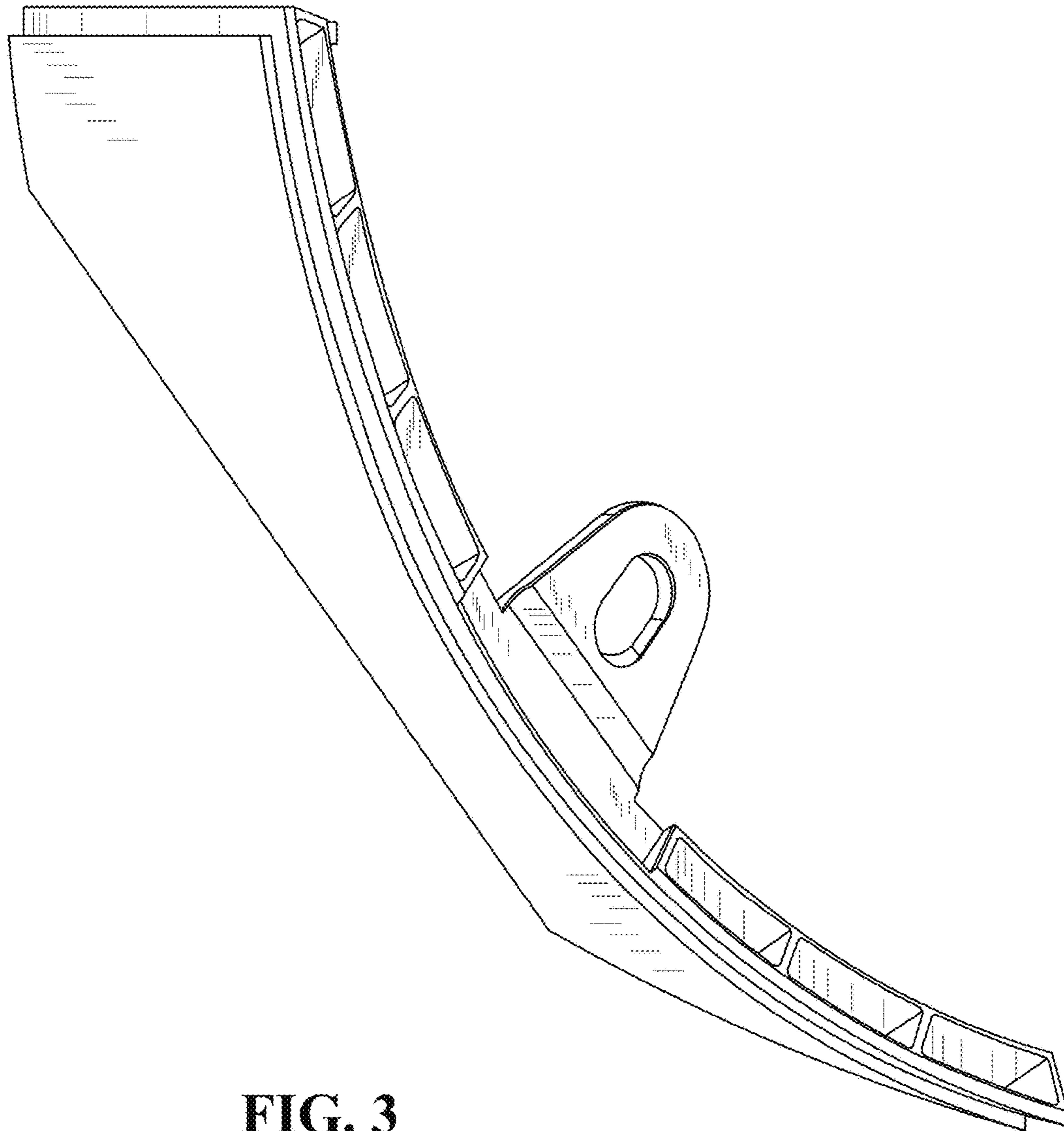


FIG. 2



**FIG. 3**



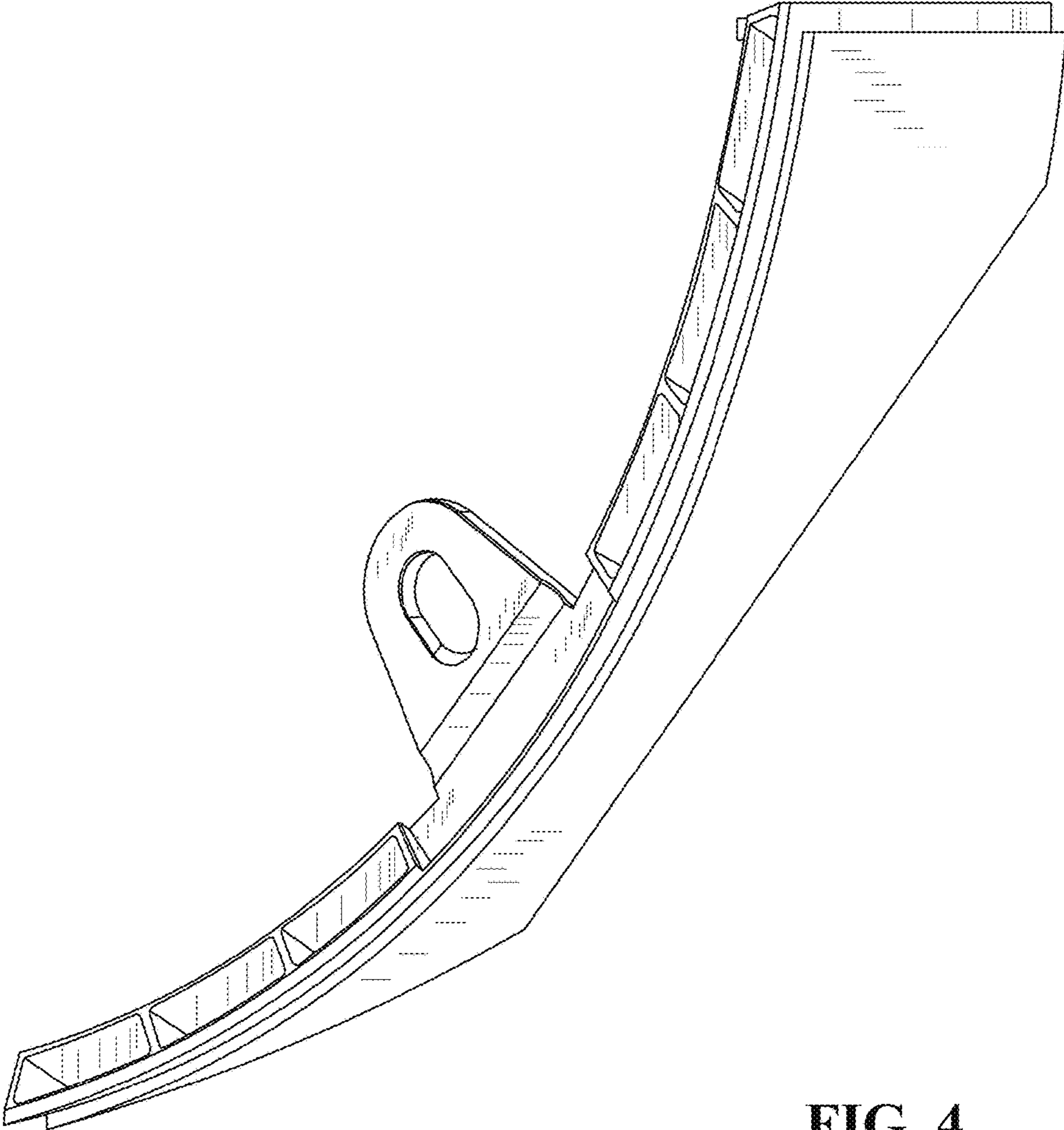


FIG. 4

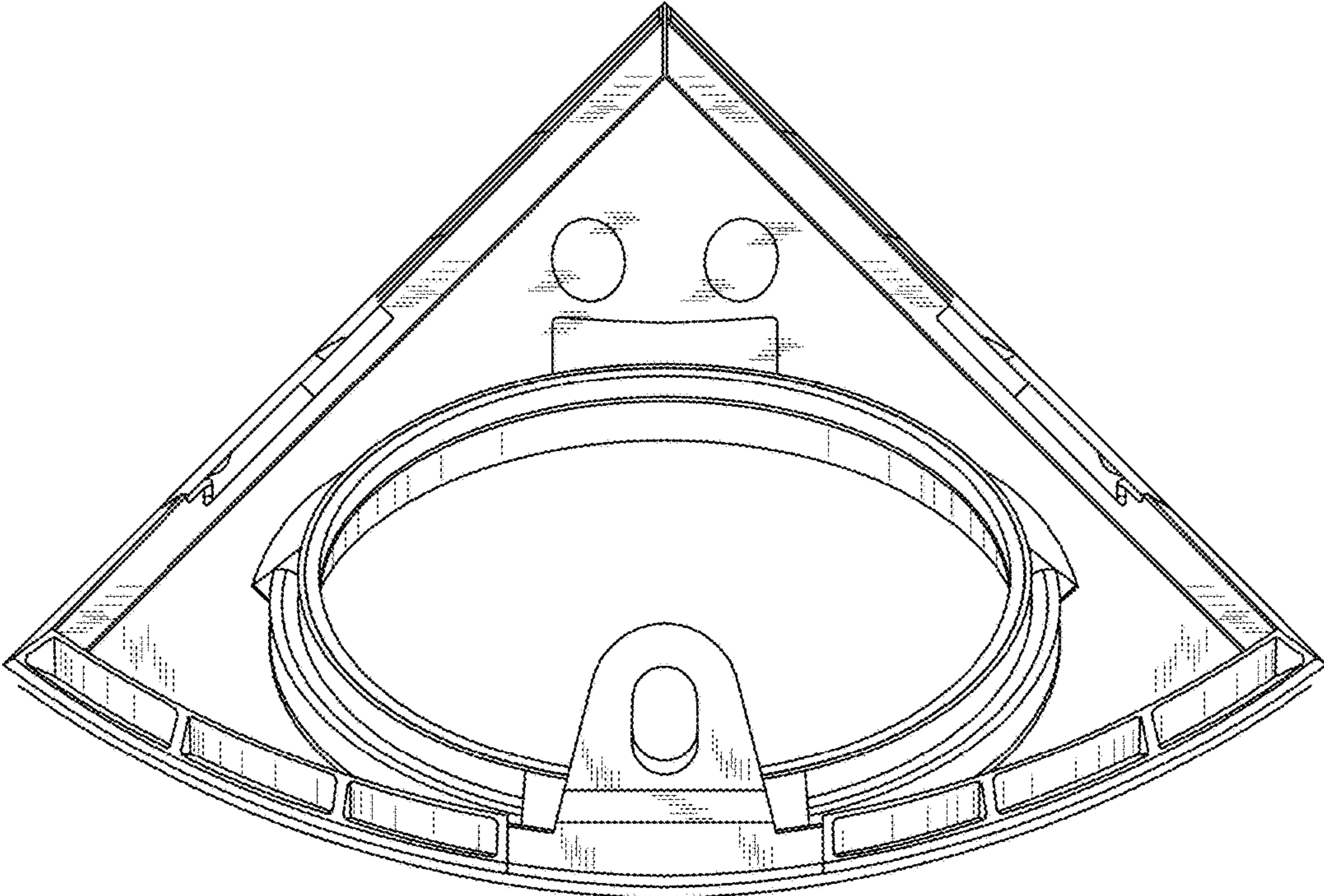


FIG. 5

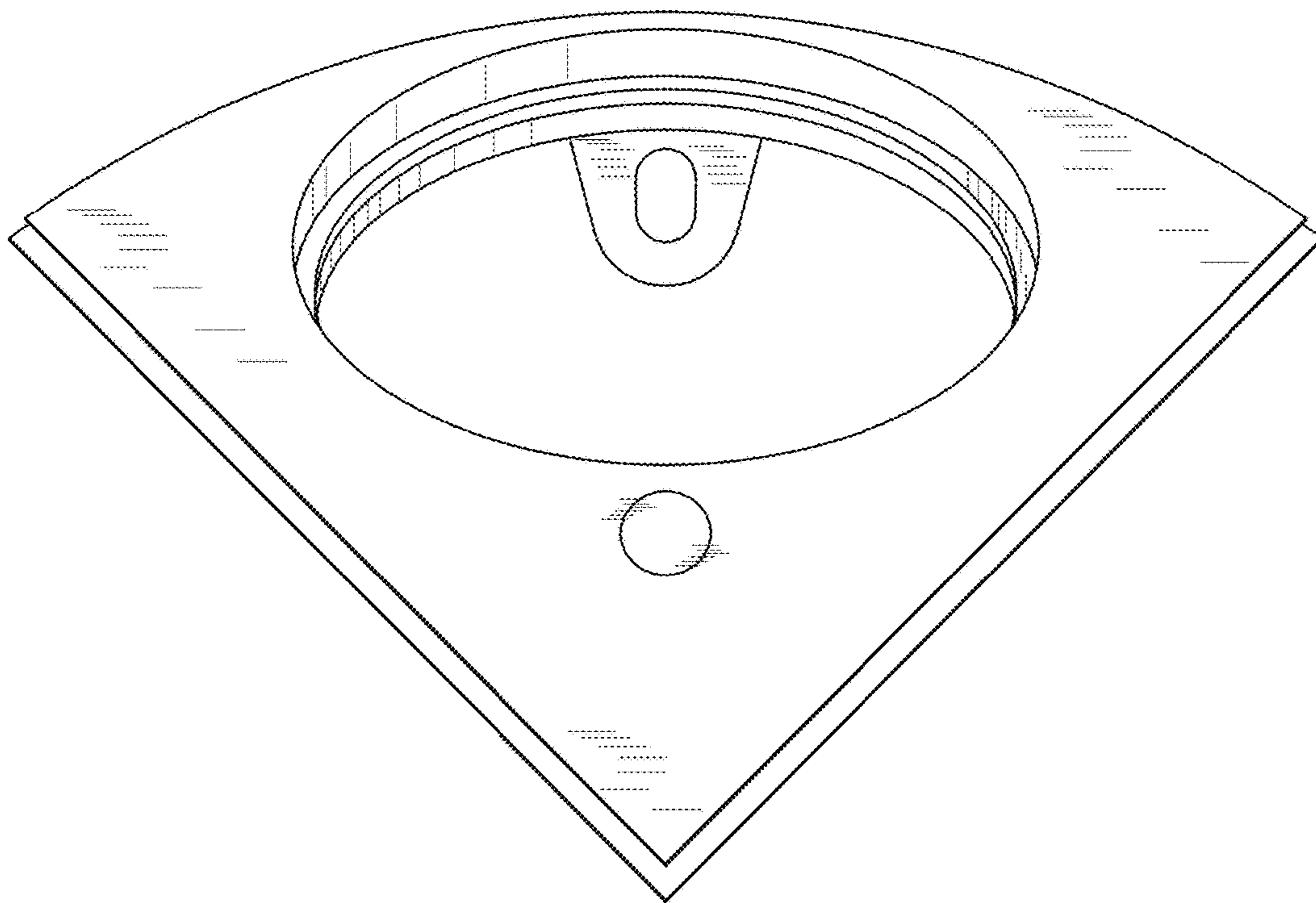


FIG. 6