



US00D824987S

(12) **United States Design Patent**
Boling et al.

(10) **Patent No.:** **US D824,987 S**

(45) **Date of Patent:** **** Aug. 7, 2018**

(54) **REARVIEW MIRROR DUAL-CAMERA UNIT**

(71) Applicant: **Procon Analytics, LLC**, Irvine, CA (US)

(72) Inventors: **Brian Boling**, Irvine, CA (US);
Michael Nalepka, Franklin, TN (US)

(73) Assignee: **Procon Analytics, LLC**, Irvine, CA (US)

(**) Term: **15 Years**

(21) Appl. No.: **29/616,147**

(22) Filed: **Sep. 1, 2017**

(51) **LOC (11) Cl.** **16-01**

(52) **U.S. Cl.**
USPC **D16/218; D16/208**

(58) **Field of Classification Search**
USPC D16/200–204, 208, 218, 219;
D12/187–189, 400; 340/932.2, 933, 937;
348/143, 148, 151, 360, 373–376;
396/419, 427–429, 433, 529, 535,
396/537–541
CPC G03B 15/03; G03B 17/02; G03B 17/04;
G03B 17/48; G03B 17/56; G03B 19/04;
G08G 1/0175; H04N 5/2251; H04N
5/2252; H04N 5/2253; H04N 5/2254
See application file for complete search history.

(56) **References Cited**

U.S. PATENT DOCUMENTS

D389,500 S *	1/1998	Krekelberg	D16/202
D412,003 S *	7/1999	Sumida	D16/202
D486,509 S *	2/2004	Suzuki	D16/202
D544,513 S *	6/2007	Hayashi	D16/202
D614,683 S *	4/2010	Oikawa	D16/206
D651,632 S *	1/2012	Kim	D16/202
D659,732 S *	5/2012	Kim	D16/202
D692,473 S *	10/2013	Kawaguchi	D16/202

D698,841 S *	2/2014	Lee	D16/202
D732,594 S *	6/2015	Kawa	D16/202
D747,383 S *	1/2016	Li	D16/203
2005/0012853 A1 *	1/2005	Wang	H04N 1/00204 348/376
2013/0038728 A1 *	2/2013	Kim	H04N 5/2252 348/143

* cited by examiner

Primary Examiner — Philip S Hyder

Assistant Examiner — Ramzi Almatrahi

(74) *Attorney, Agent, or Firm* — Luedeka Neely Group, P.C.

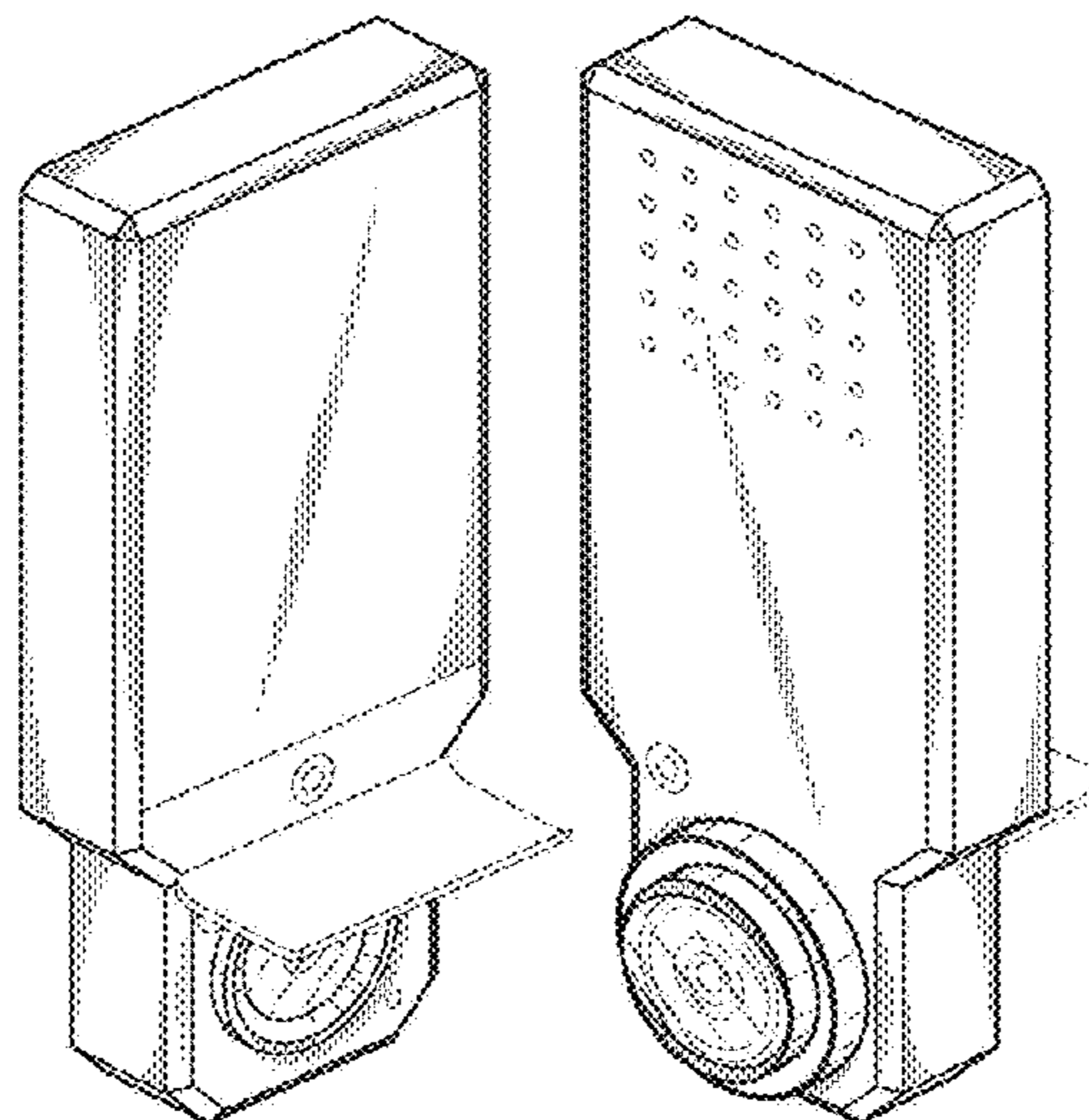
(57) **CLAIM**

The ornamental design for a rearview mirror dual-camera unit, as shown and described.

DESCRIPTION

FIG. 1 is a front perspective view of a rearview mirror dual-camera unit;
 FIG. 2 is a rear perspective view of the rearview mirror dual-camera unit;
 FIG. 3 is a right side elevation view of the rearview mirror dual-camera unit;
 FIG. 4 is a left side elevation view of the rearview mirror dual-camera unit;
 FIG. 5 is a front elevation view of the rearview mirror dual-camera unit;
 FIG. 6 is a rear elevation view of the rearview mirror dual-camera unit;
 FIG. 7 is a top plan view of the rearview mirror dual-camera unit; and,
 FIG. 8 is a bottom plan view of the rearview mirror dual-camera unit.
 The broken lines depict portions of the rearview mirror dual-camera unit in which the design is embodied that form no part of the claimed design.

1 Claim, 5 Drawing Sheets



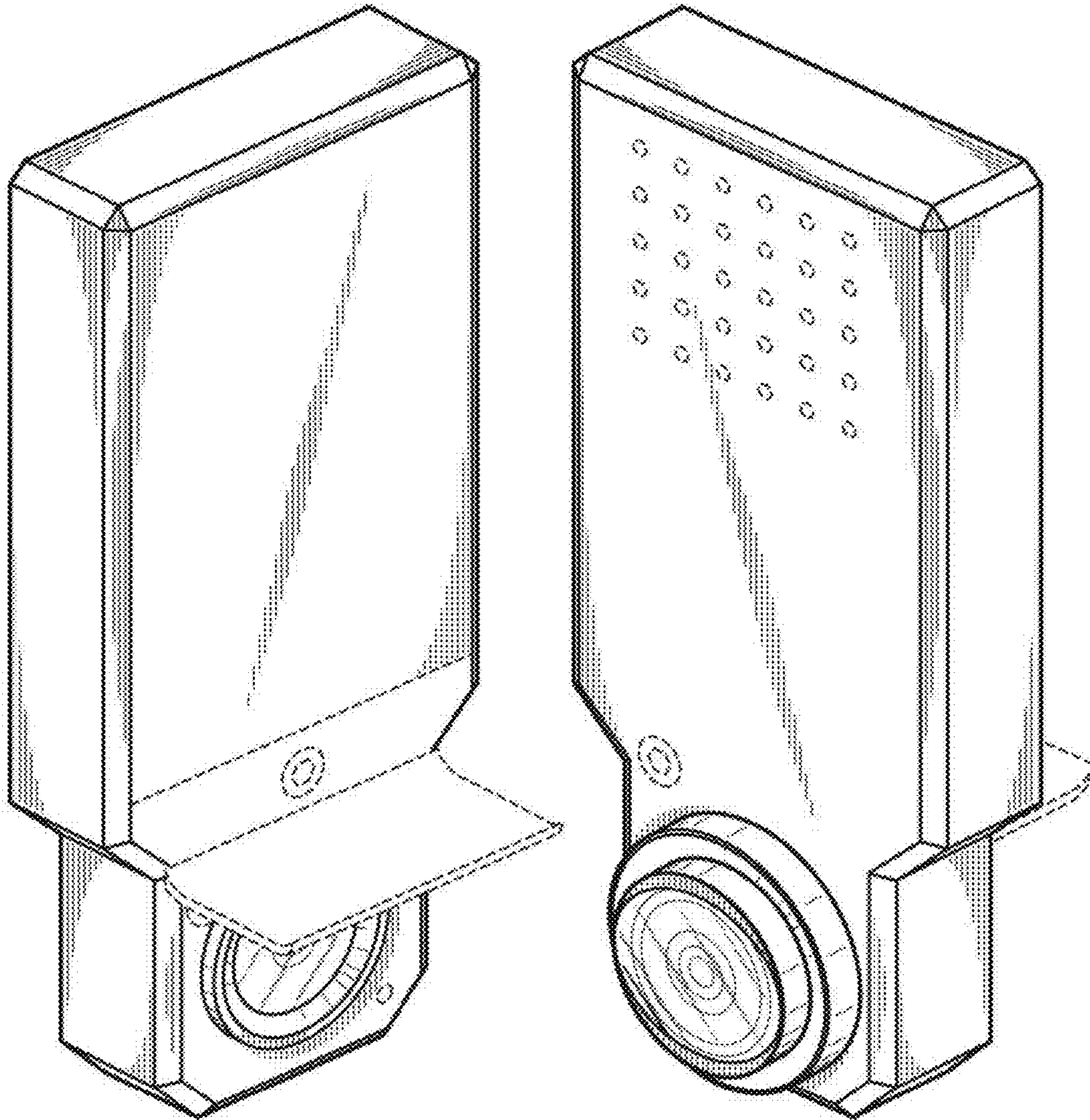


FIG. 1

FIG. 2

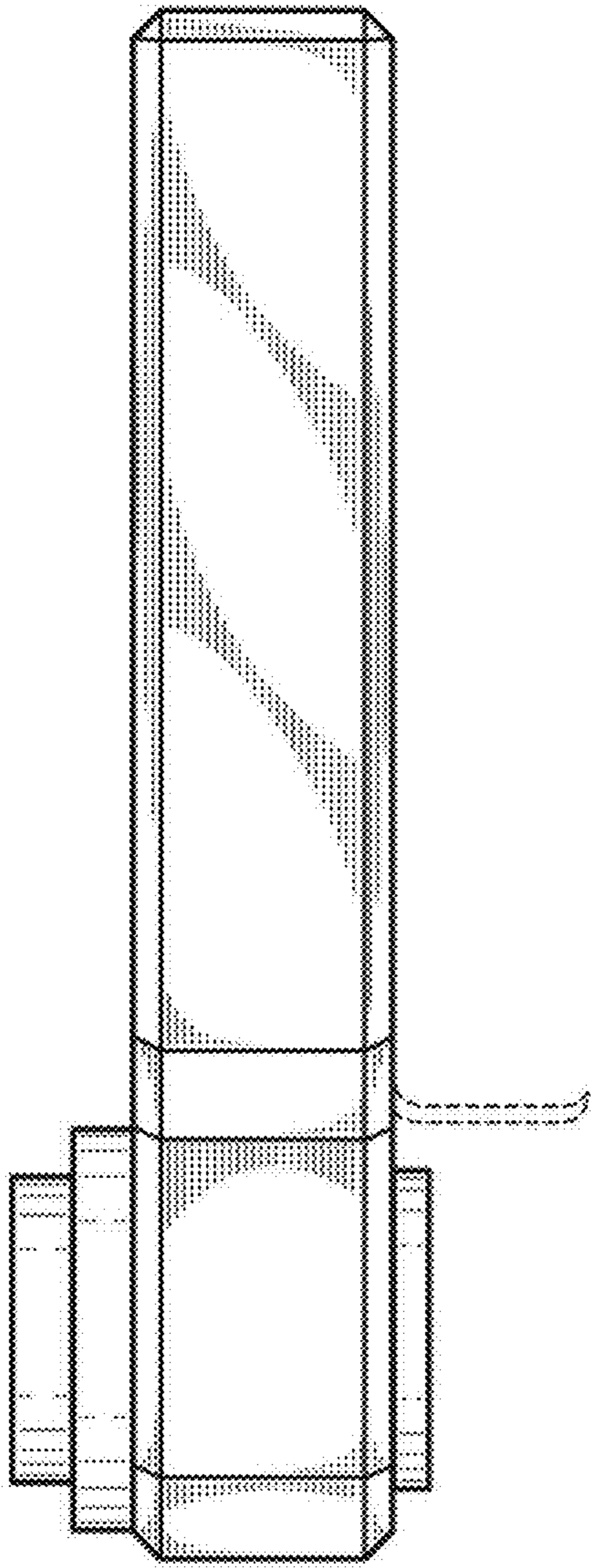


FIG. 3

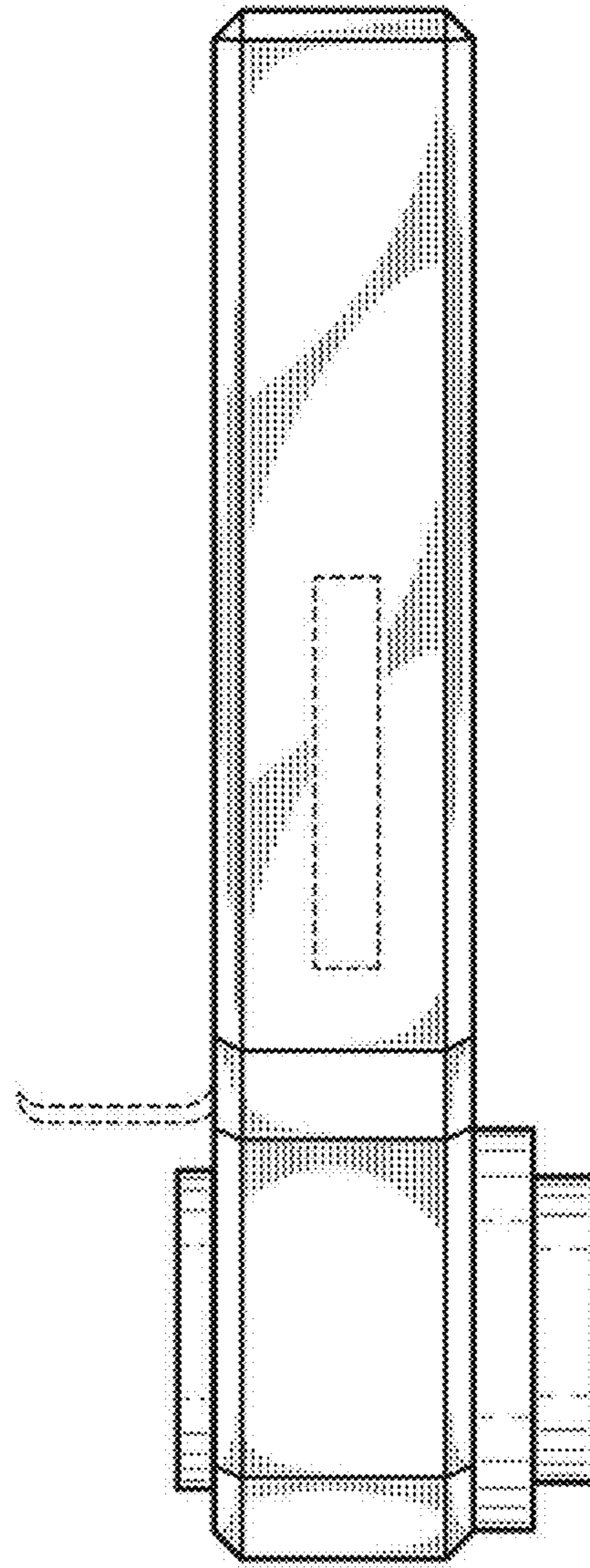


FIG. 4

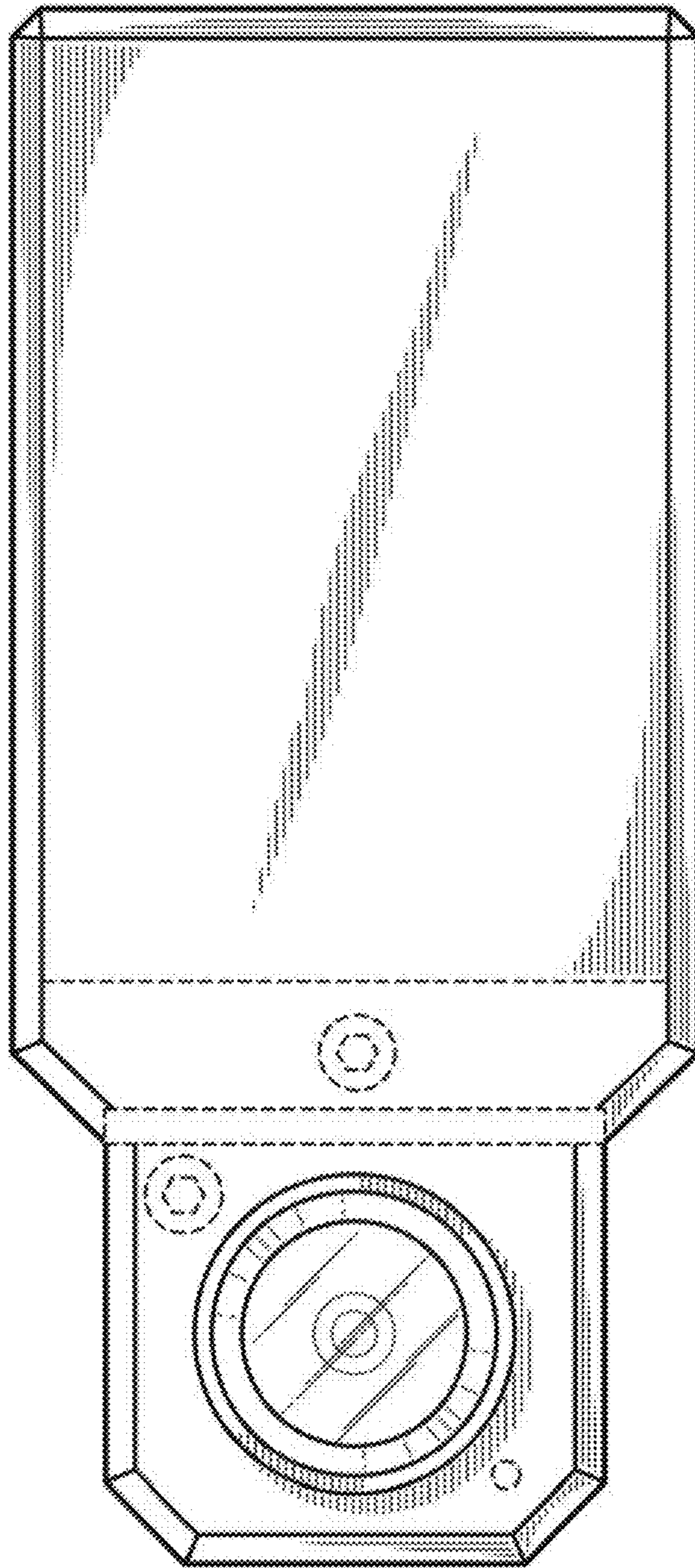


FIG. 5

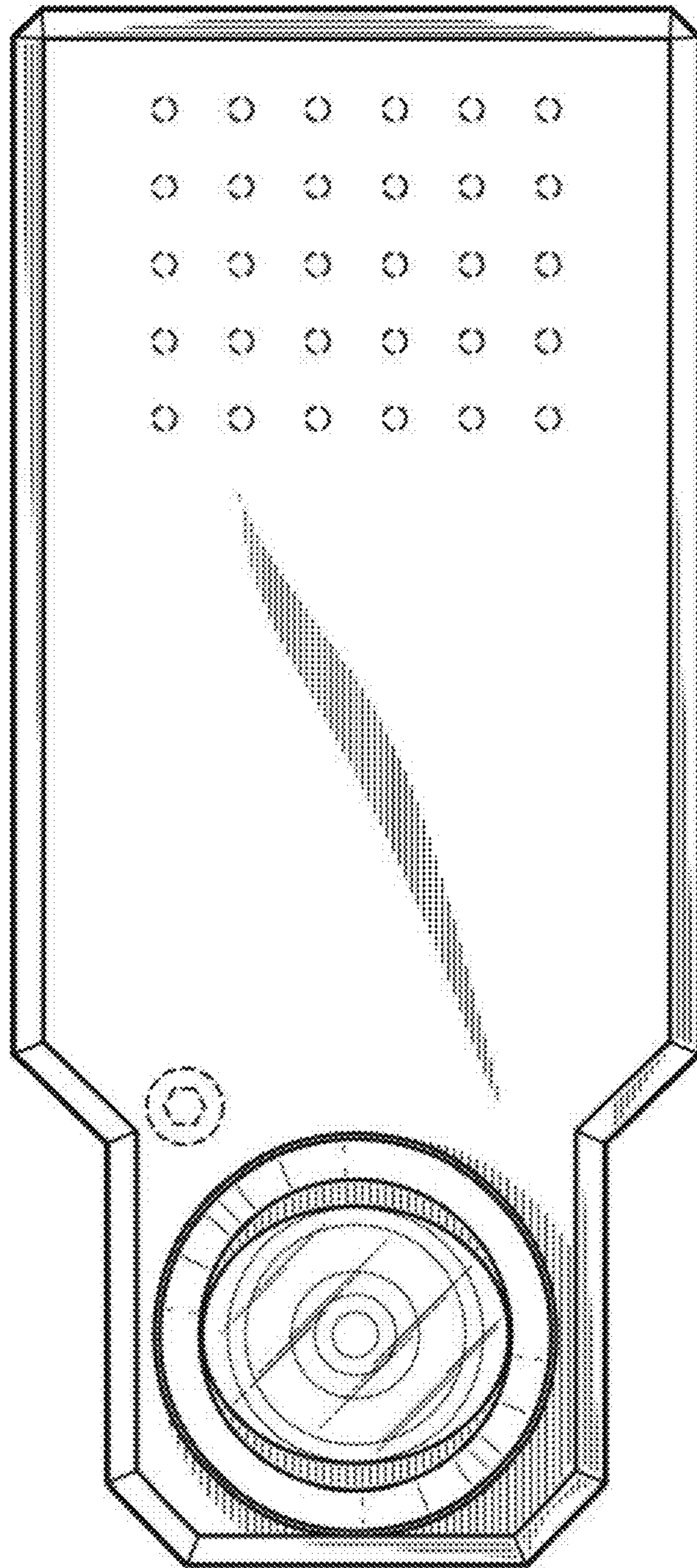


FIG. 6

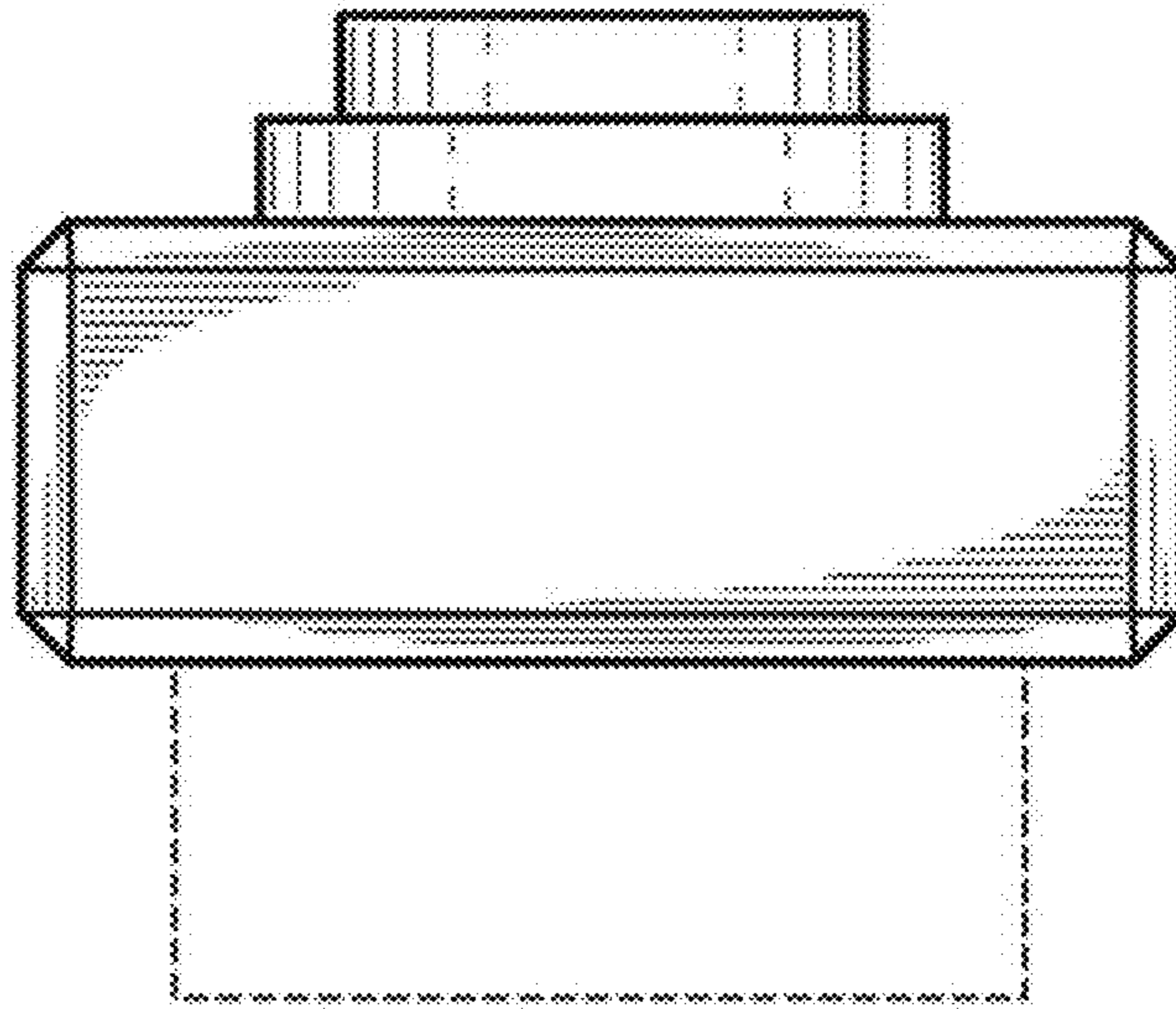


FIG. 7

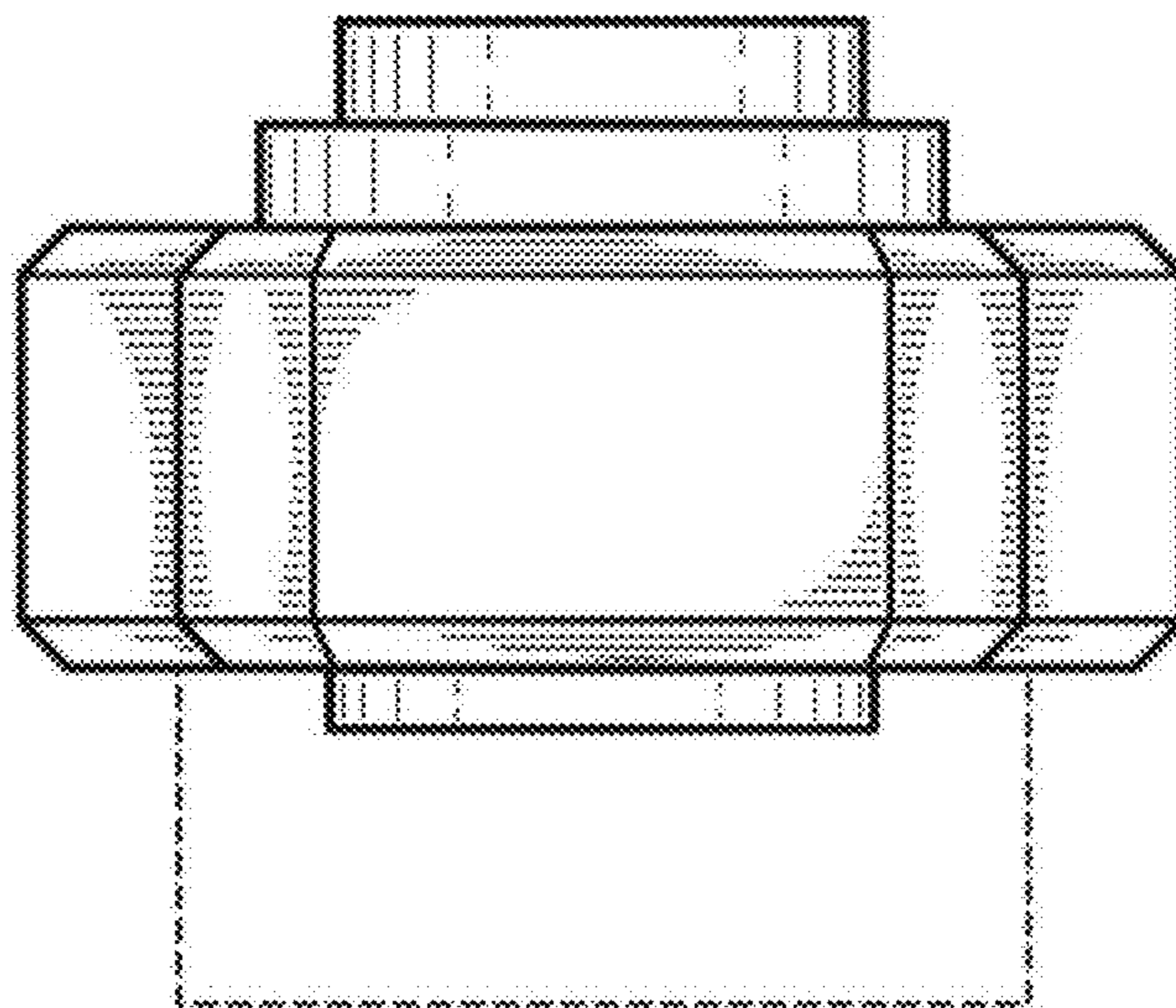


FIG. 8