



US00D824985S

(12) **United States Design Patent**
Teachworth et al.

(10) **Patent No.:** **US D824,985 S**

(45) **Date of Patent:** **** Aug. 7, 2018**

(54) **CAMERA HOUSING WITH MOUNT**

(71) Applicant: **Cisco Technology, Inc.**, San Jose, CA (US)

(72) Inventors: **Morgan Teachworth**, San Francisco, CA (US); **Nicholas Kawamoto**, San Francisco, CA (US); **Jennifer Ouk**, San Francisco, CA (US); **Raj Misra**, Milpitas, CA (US)

(73) Assignee: **CISCO TECHNOLOGY, INC.**, San Jose, CA (US)

(**) Term: **15 Years**

(21) Appl. No.: **29/589,103**

(22) Filed: **Dec. 28, 2016**

(51) **LOC (11) Cl.** **16-01**

(52) **U.S. Cl.**
USPC **D16/203**

(58) **Field of Classification Search**
USPC D16/200, 202–206, 218, 219, 242;
348/143, 148, 151, 373–376; 396/419,
396/427, 535, 539–541
CPC G03B 17/02; G03B 19/04; G03B 17/56;
G03B 17/04; G03B 15/03; H04N 5/2251;
H04N 5/2252; H04N 5/2253; H04N
5/2254; H04N 7/181; H04N 7/183; H04N
7/18; G08B 13/1963; G08B 13/19619;
G08B 13/19632; F16M 11/04; F16M
13/00

See application file for complete search history.

(56) **References Cited**

U.S. PATENT DOCUMENTS

D552,501 S * 10/2007 Lin D10/104.1
D584,756 S * 1/2009 Yamakawa D16/203
D628,225 S * 11/2010 Deurwaarder D16/203
D633,120 S * 2/2011 Ham D16/203

D639,842 S * 6/2011 Zeinoun D16/203
8,066,438 B2 * 11/2011 Takahashi H04N 5/2251
348/143
D688,720 S * 8/2013 Yilin D16/203
D690,345 S * 9/2013 Seo D16/203
D740,870 S * 10/2015 Park D16/203
D761,341 S * 7/2016 Katori D16/203
D798,934 S * 10/2017 Wu D16/203
2011/0158637 A1 * 6/2011 Jung G03B 15/03
396/535

(Continued)

Primary Examiner — Philip S Hyder

Assistant Examiner — Ramzi Almatrahi

(74) *Attorney, Agent, or Firm* — Polsinelli PC

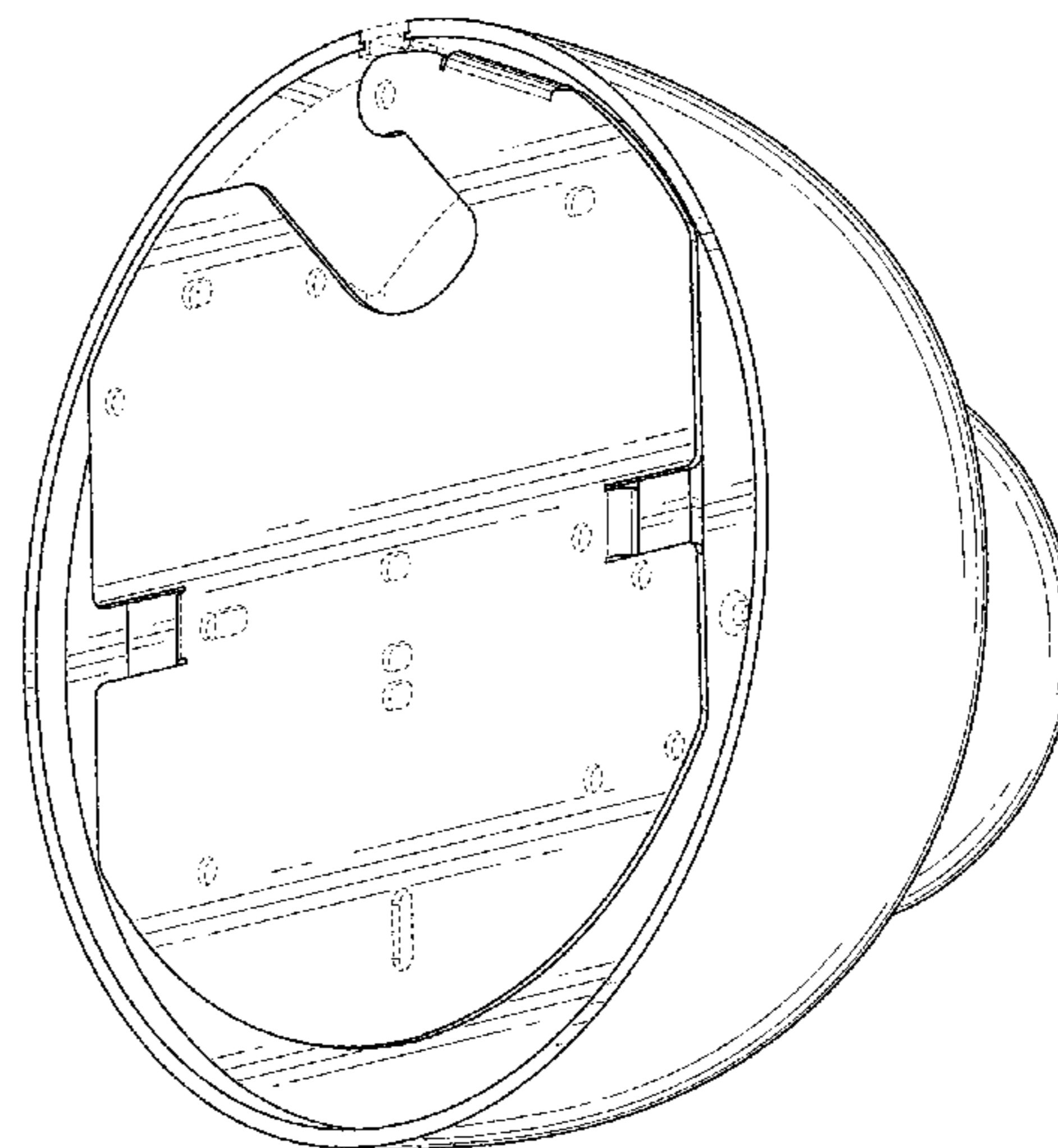
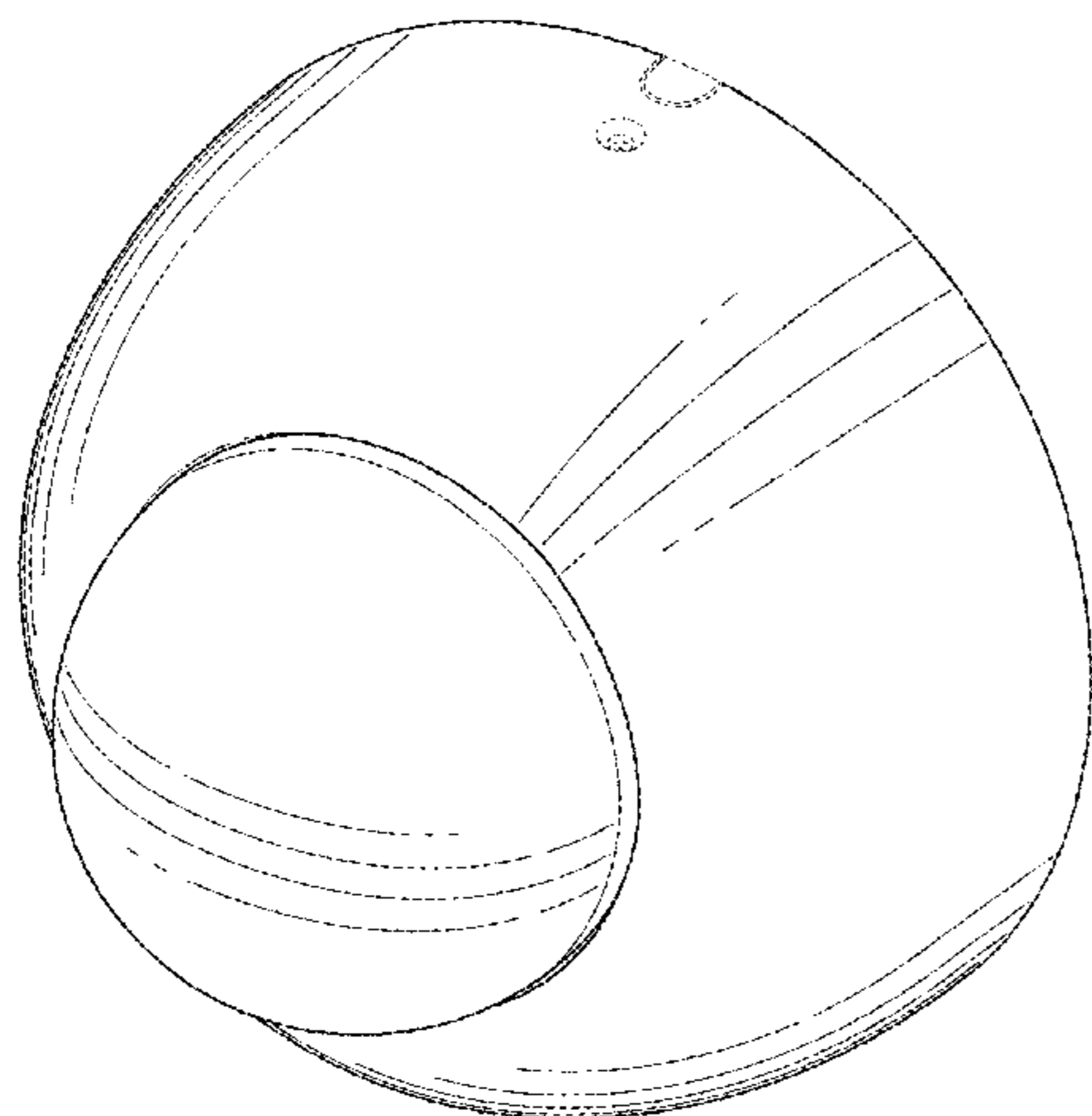
(57) **CLAIM**

We claim the ornamental design for a camera housing with mount, as shown and described.

DESCRIPTION

FIG. 1 is a front and left side perspective view of a camera housing with mount, showing our new design;
FIG. 2 is a rear and right side perspective view thereof;
FIG. 3 is an exploded, rear and right side perspective view thereof;
FIG. 4 is an exploded, top and rear perspective view thereof;
FIG. 5 is a front elevational view thereof;
FIG. 6 is a rear elevational view thereof;
FIG. 7 is a right side elevational view thereof.
FIG. 8 is a left side elevational view thereof;
FIG. 9 is a top plan view thereof;
FIG. 10 is a bottom plan view thereof;
FIG. 11 is a rear and right side perspective view of the mount of the camera housing of FIGS. 1-10, with the camera housing omitted for ease of illustration;
FIG. 12 is a top and front perspective view thereof; and,
FIG. 13 is a top plan view thereof.
The broken lines depict portions of the camera housing with mount in which the design is embodied that form no part of the claimed design.

1 Claim, 13 Drawing Sheets



(56)

References Cited

U.S. PATENT DOCUMENTS

2013/0169805 A1* 7/2013 Park G08B 13/19619
348/143

* cited by examiner

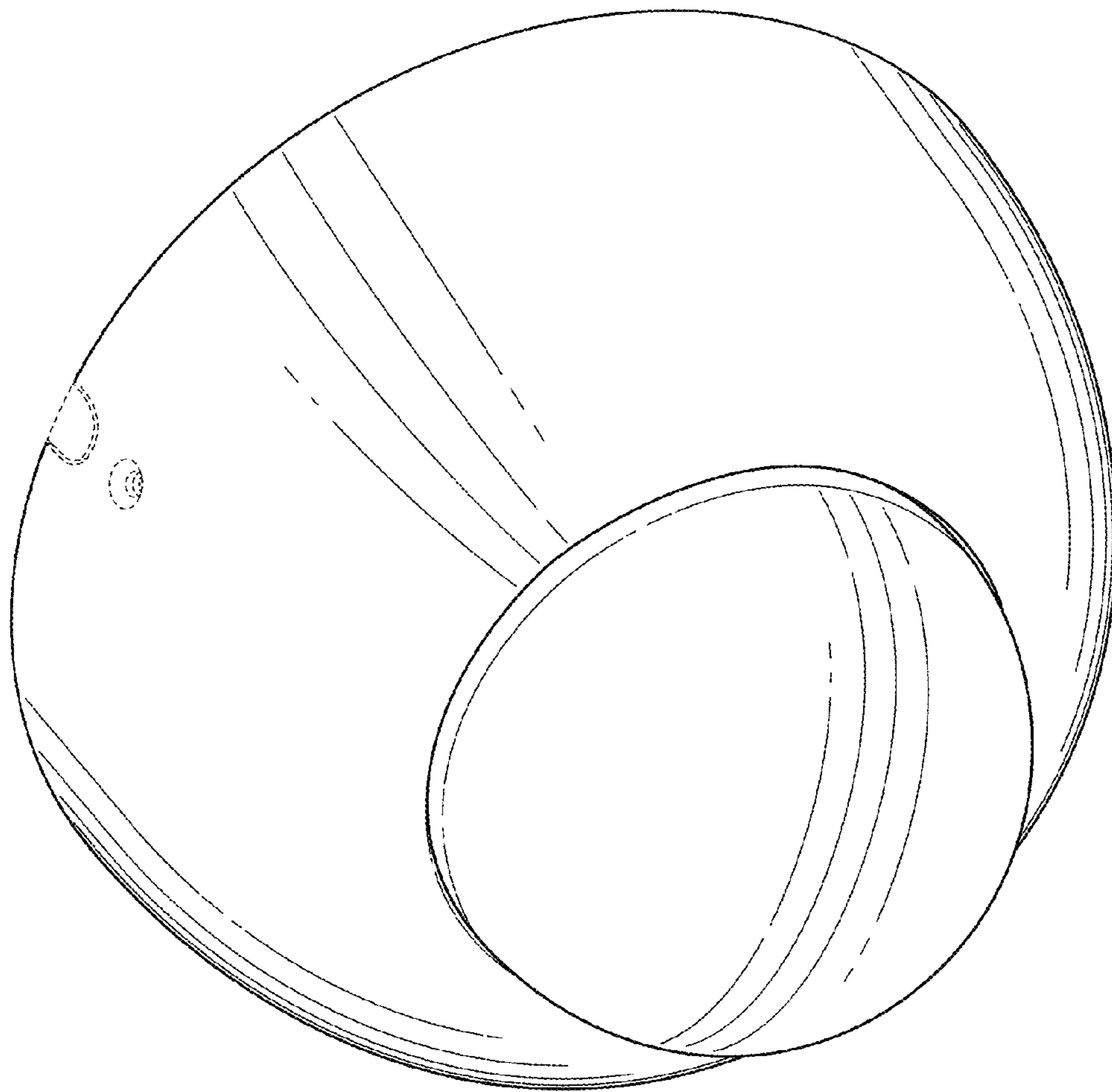


FIG. 1

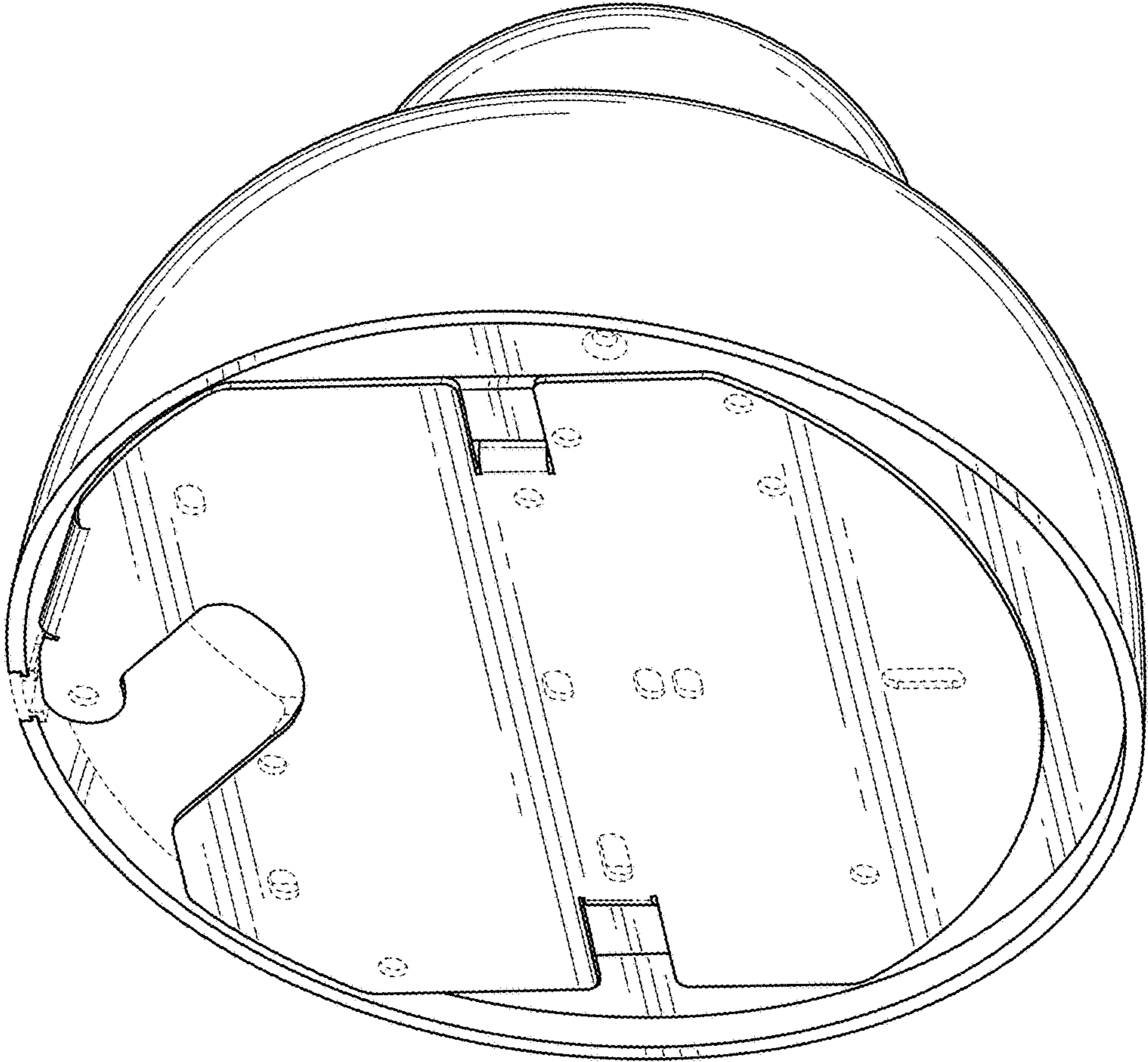


FIG. 2

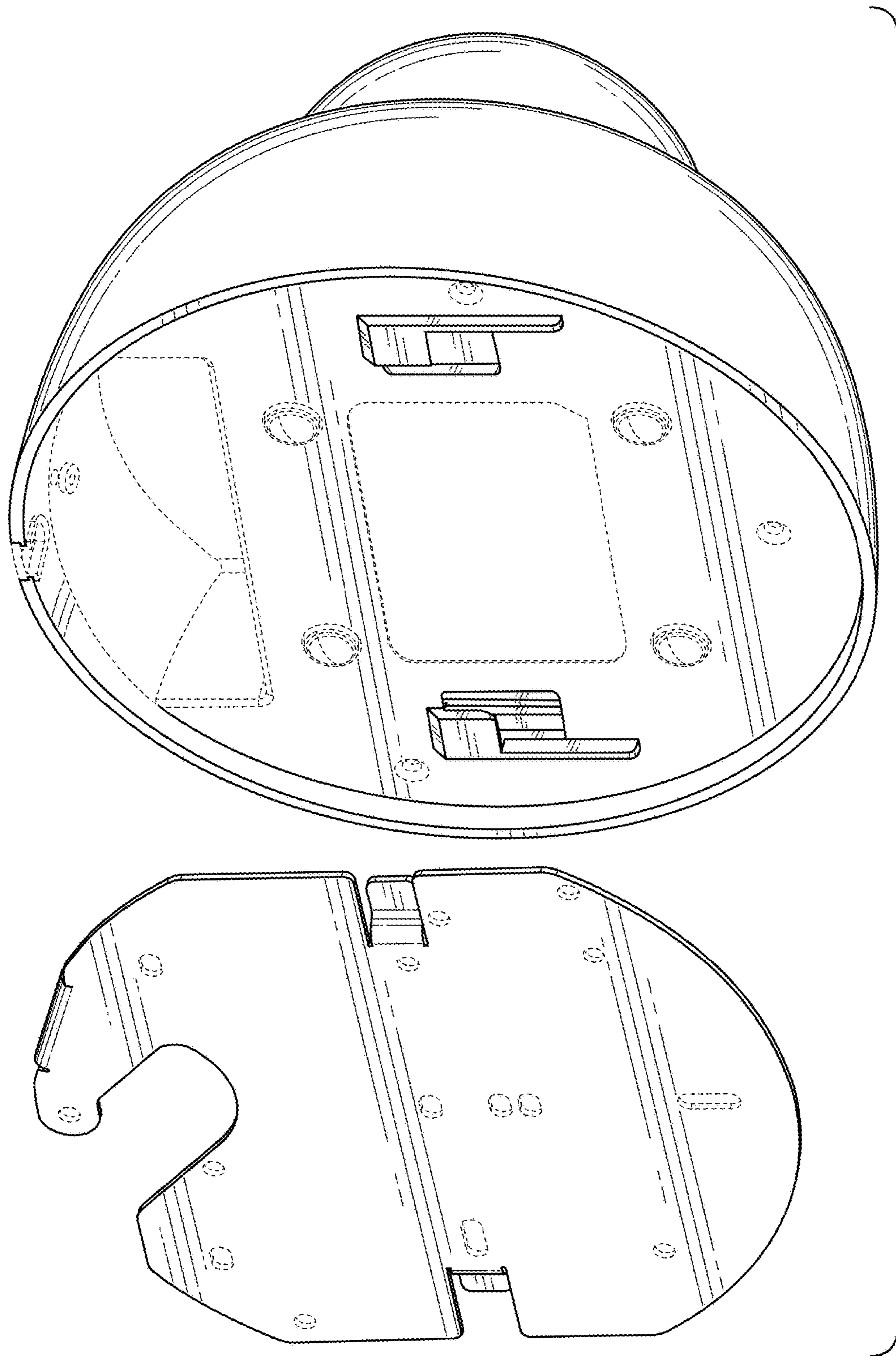


FIG. 3

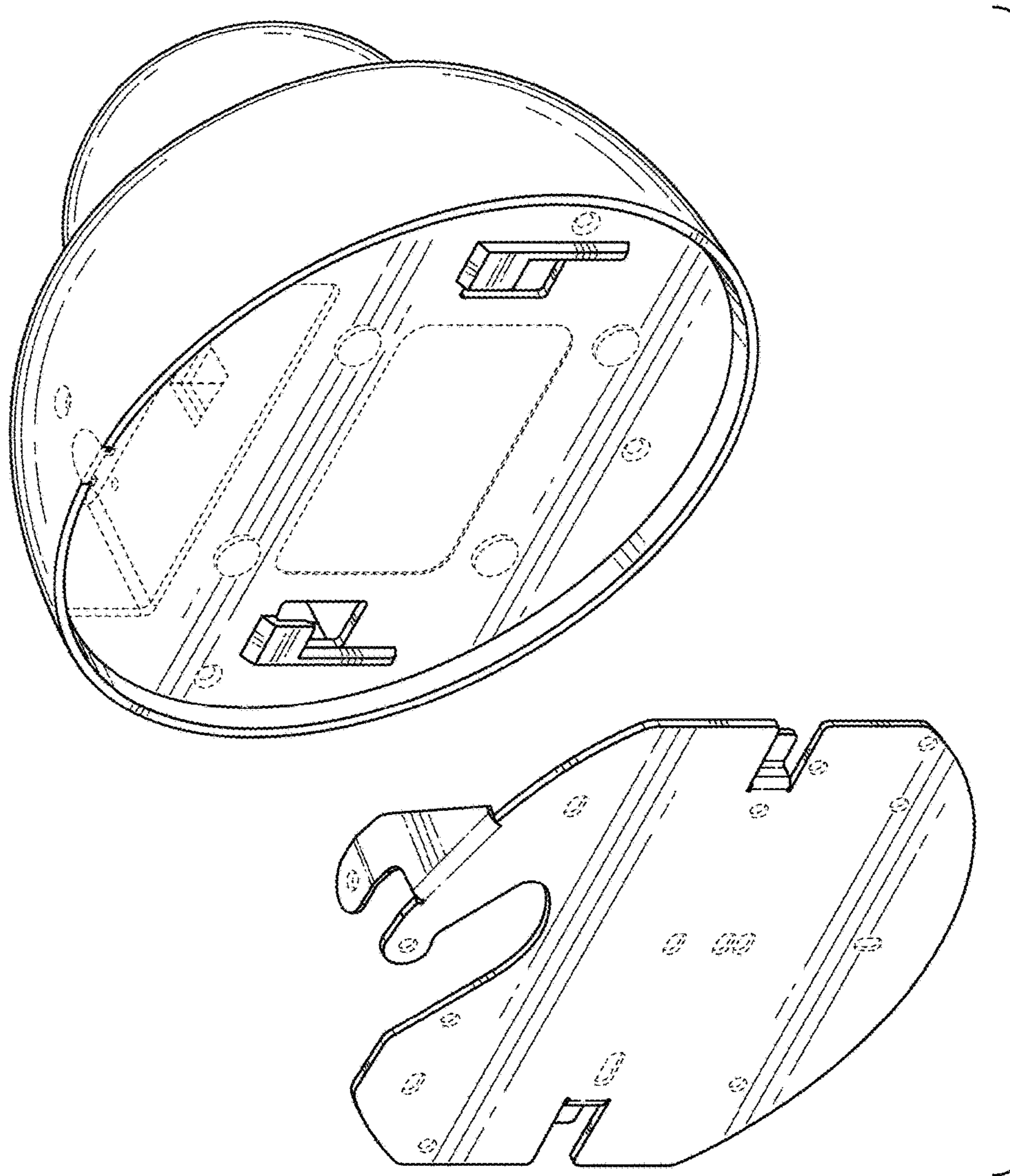


FIG. 4

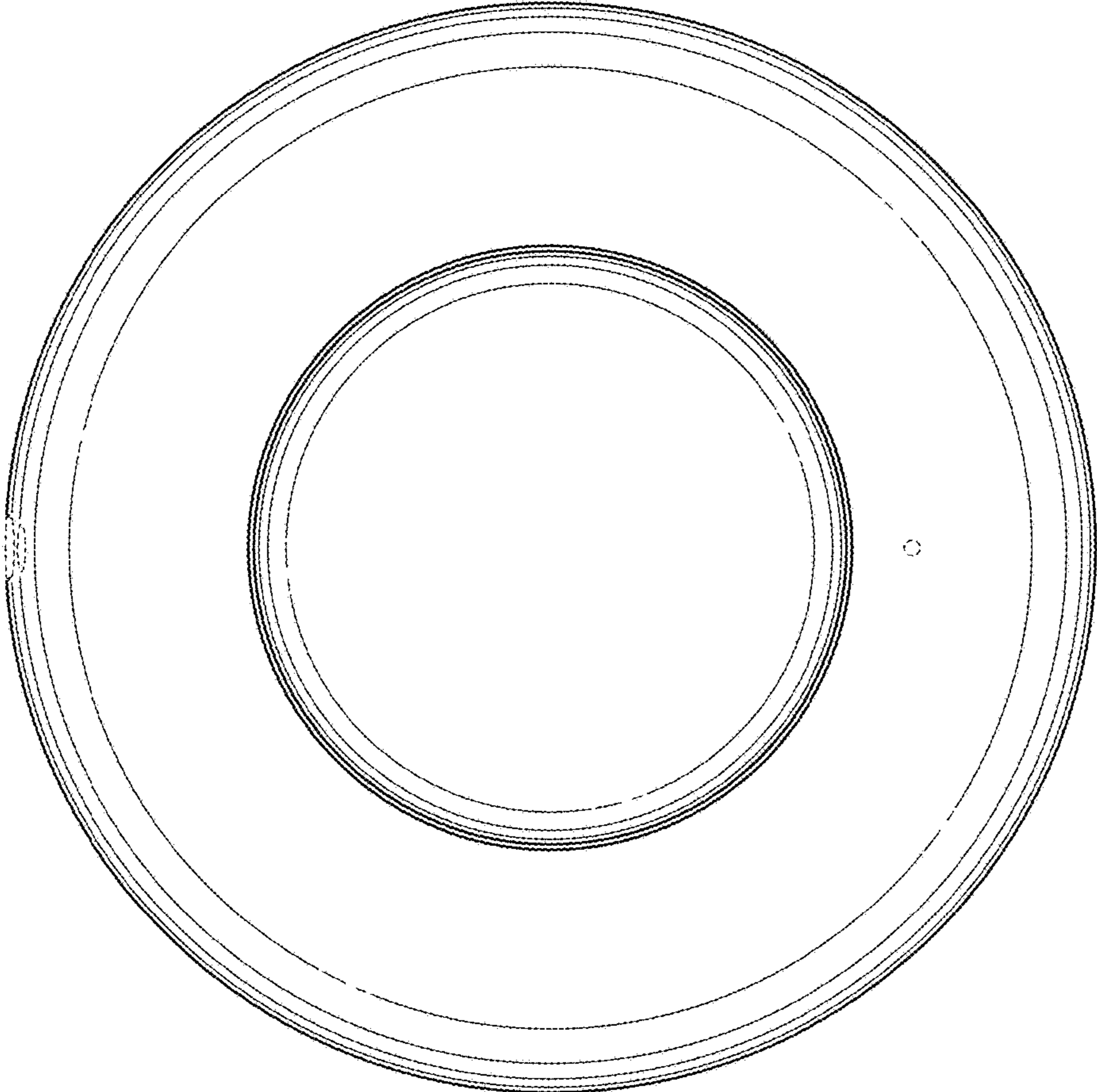


FIG. 5

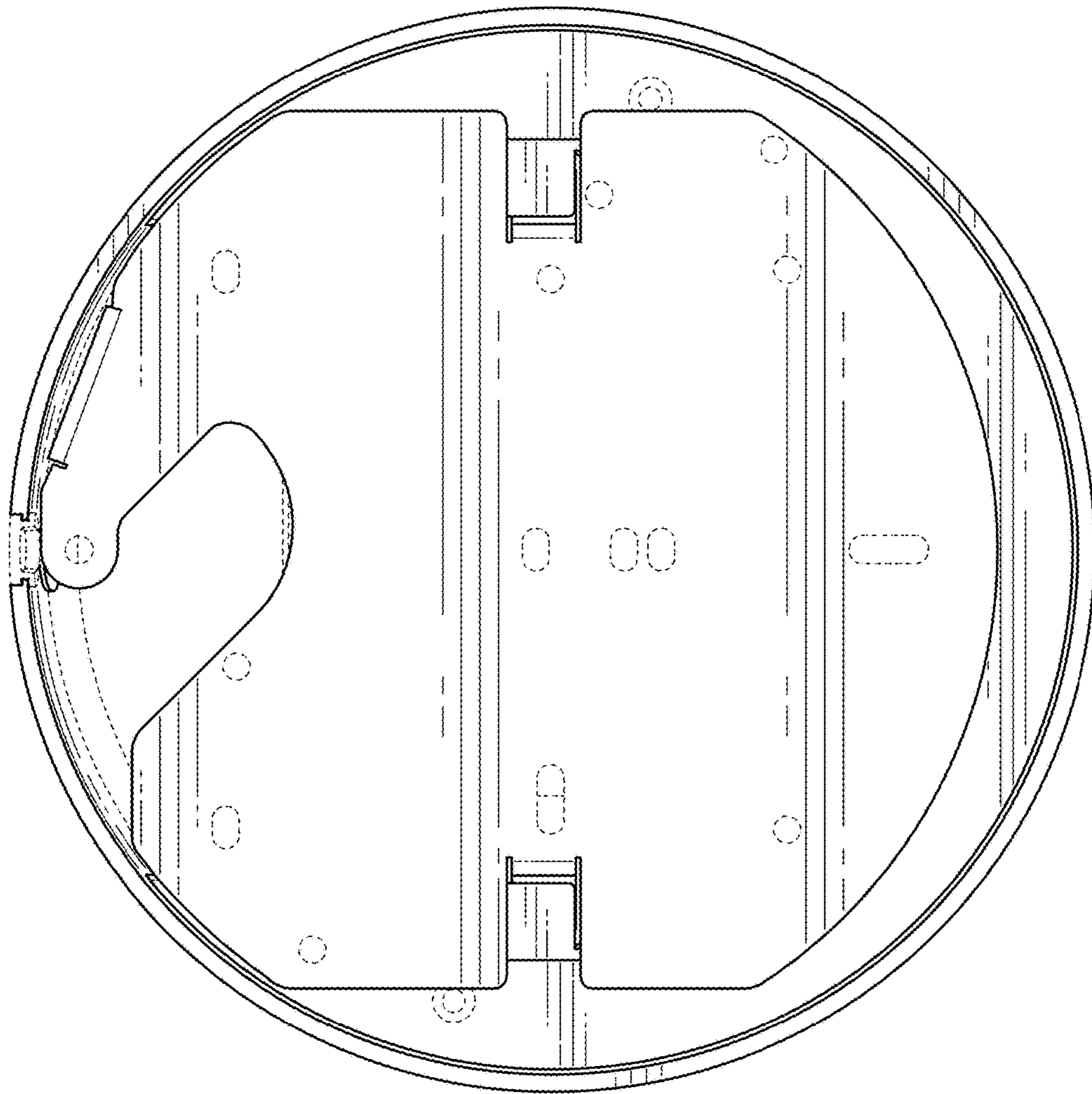


FIG. 6

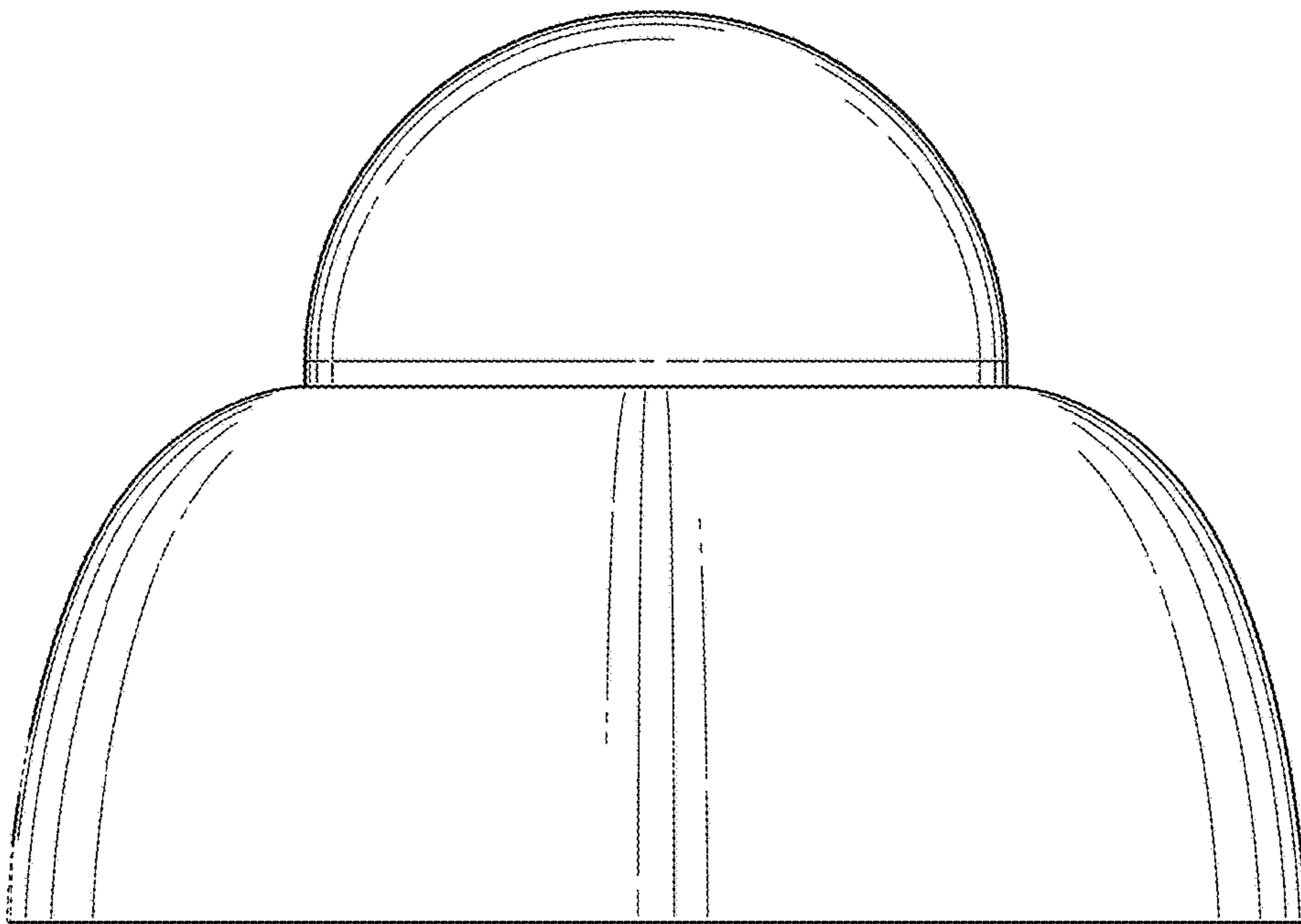


FIG. 7

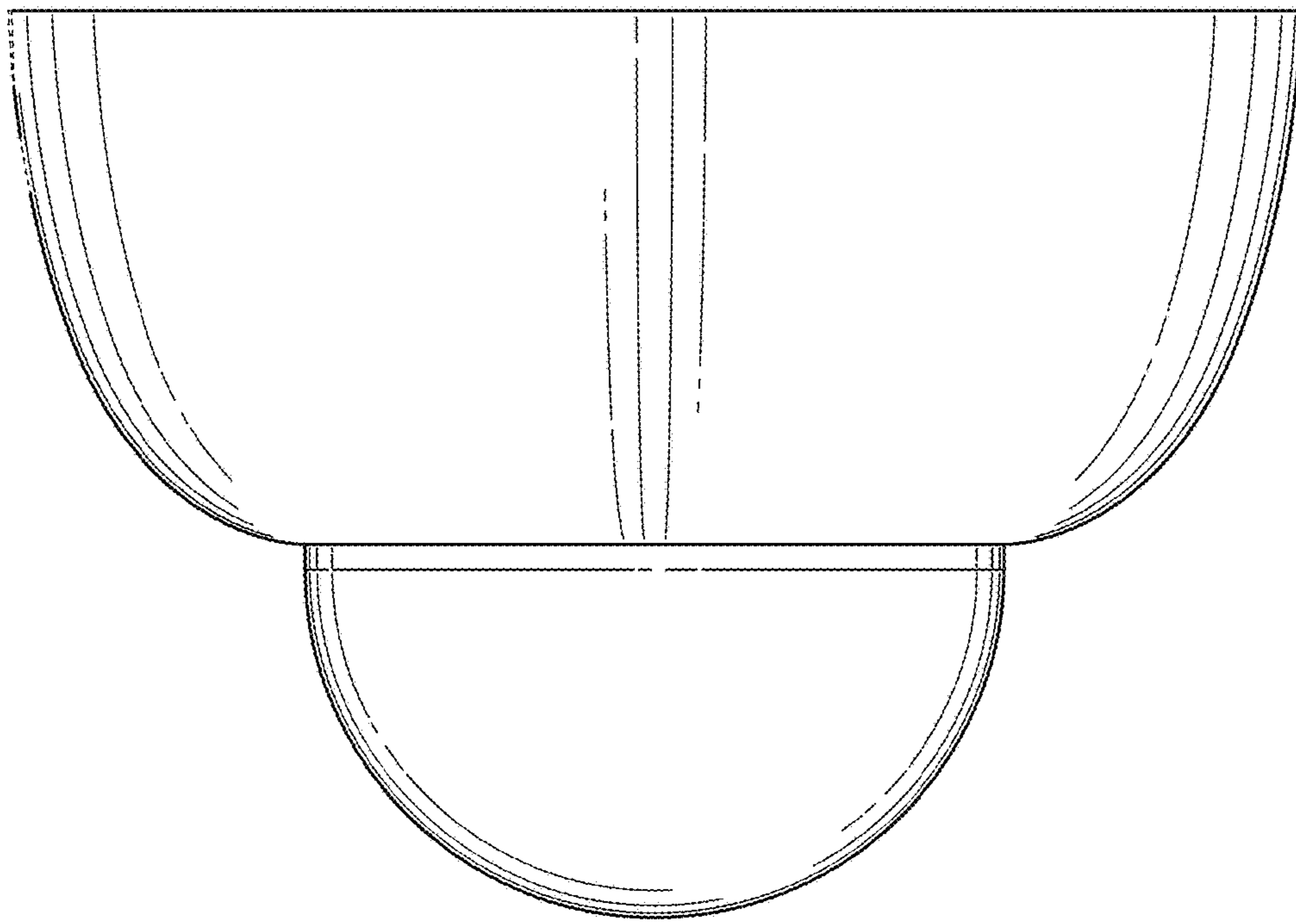


FIG. 8

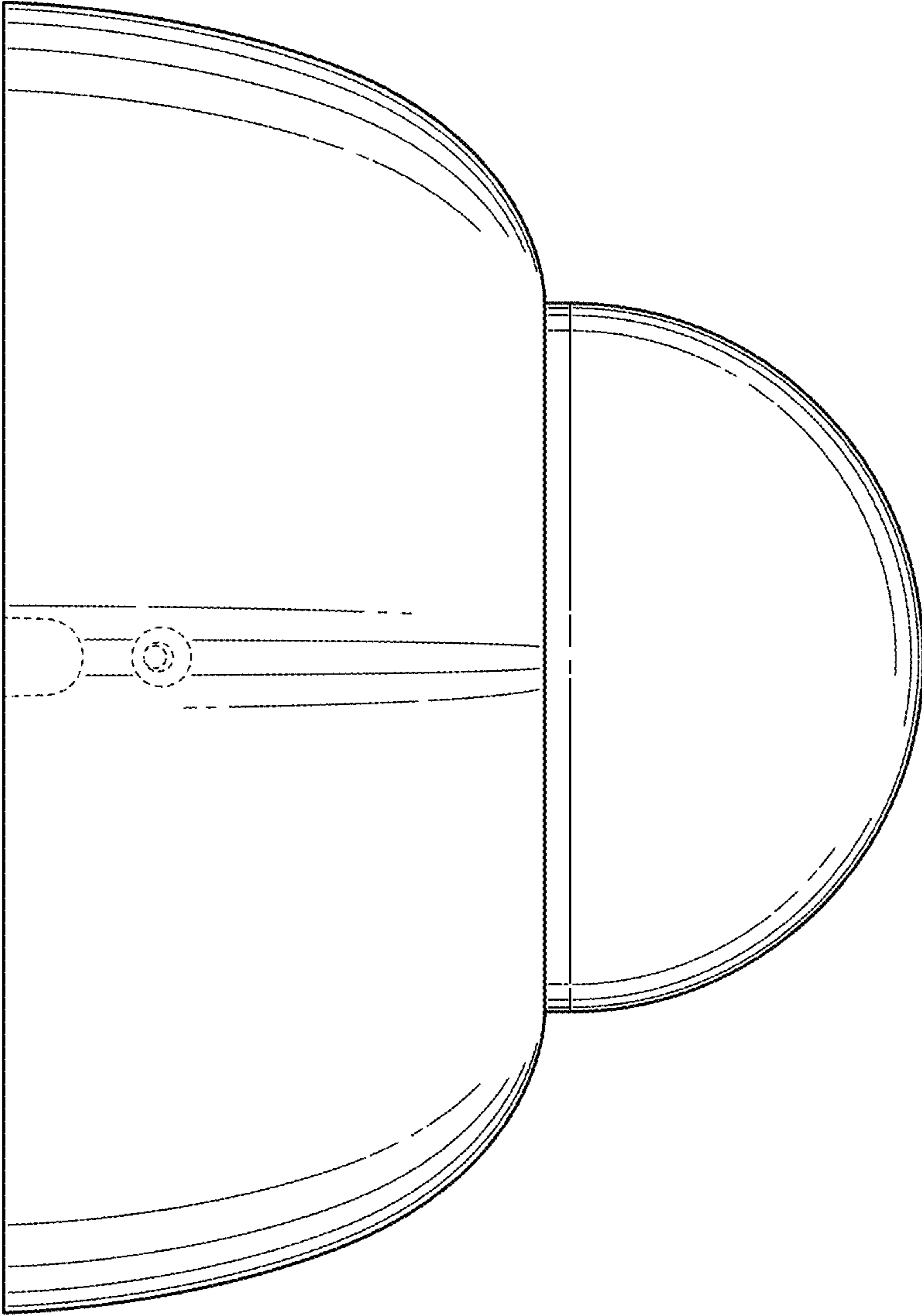


FIG. 9

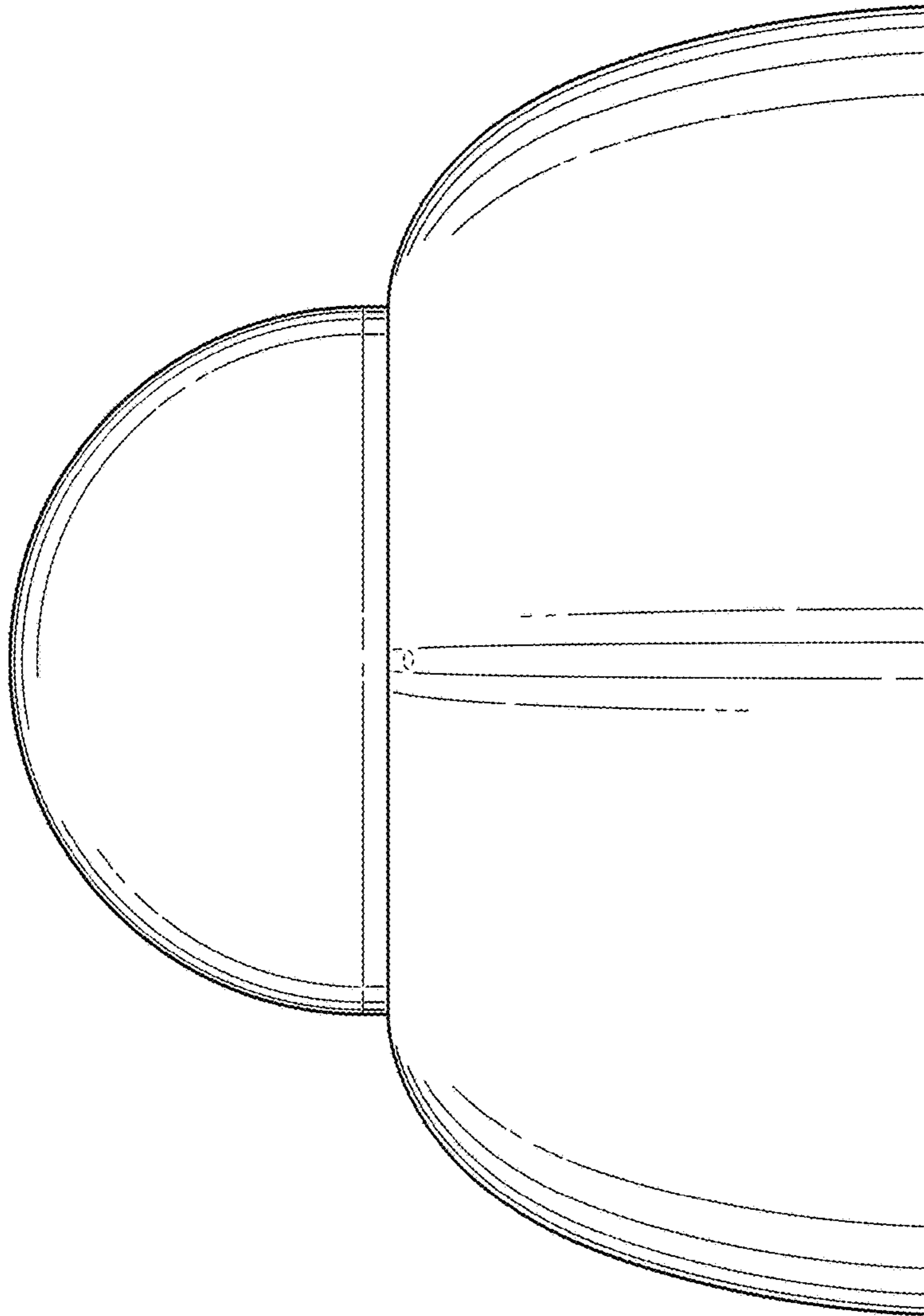


FIG. 10

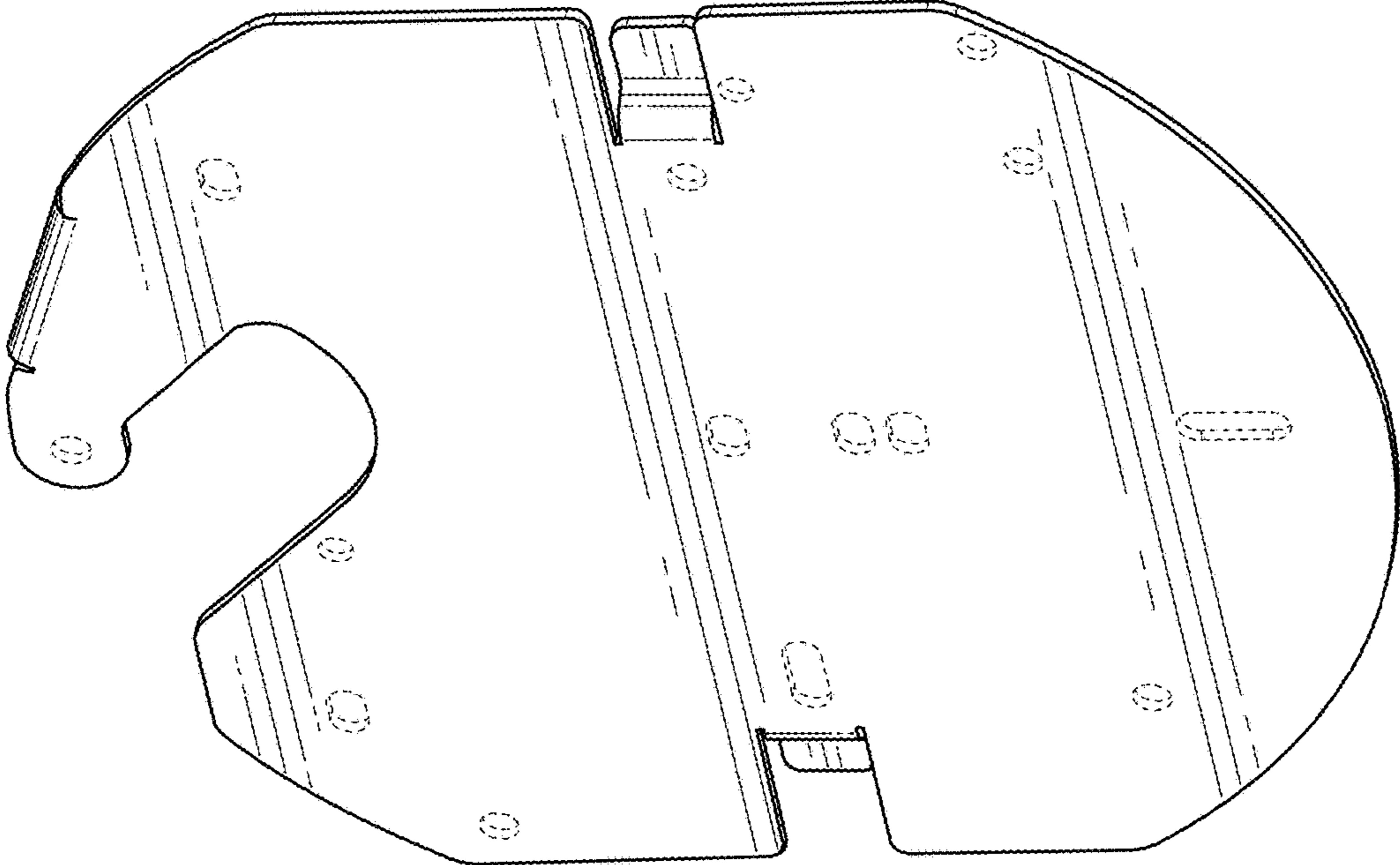


FIG. 11

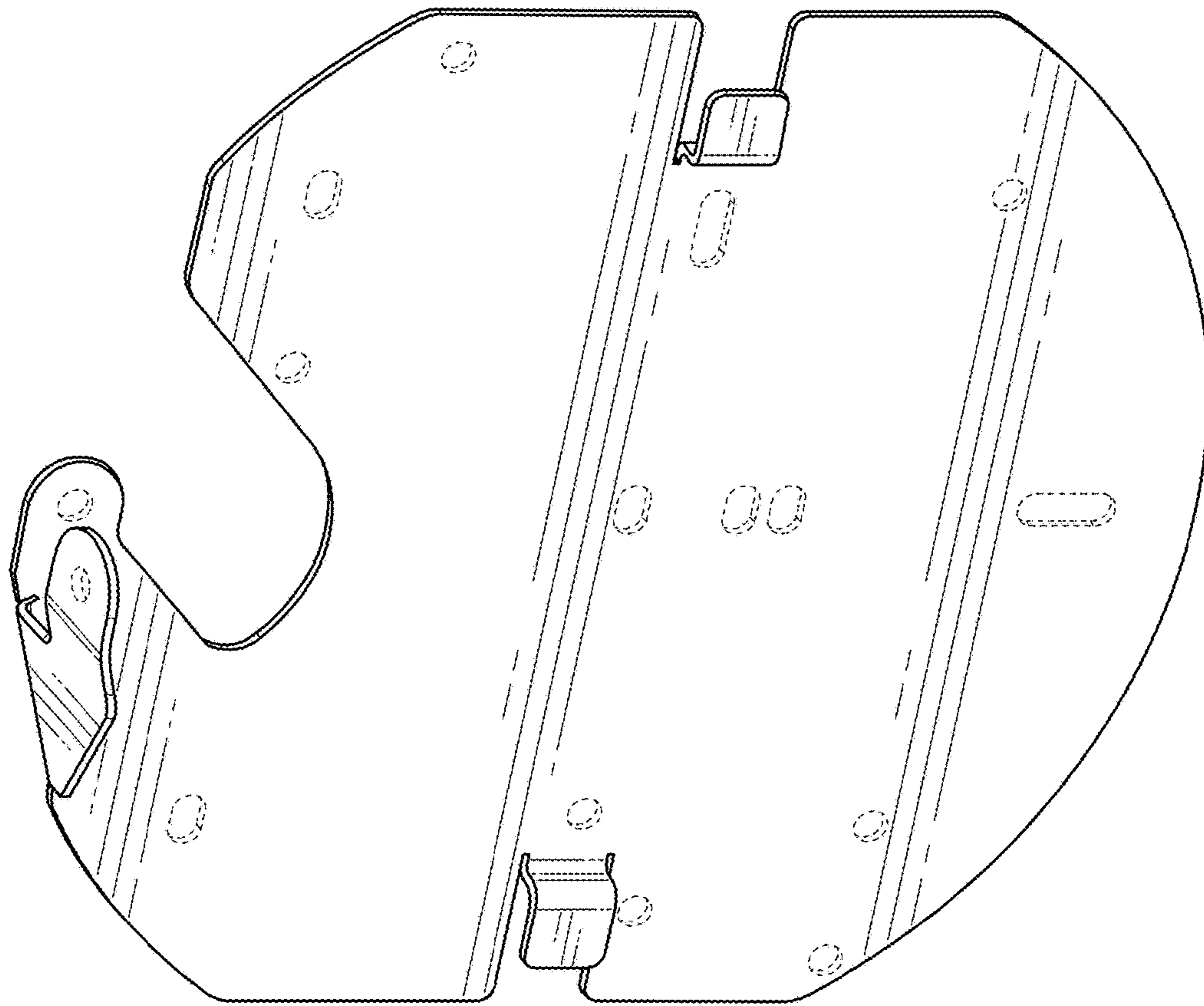


FIG. 12

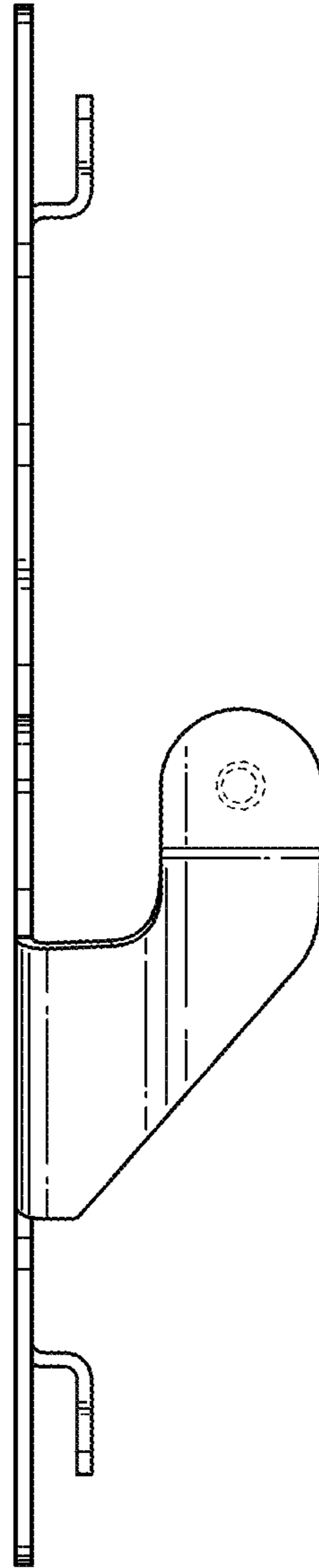


FIG. 13