



US00D824984S

(12) **United States Design Patent**
Zhiyong

(10) **Patent No.:** **US D824,984 S**

(45) **Date of Patent:** **** Aug. 7, 2018**

(54) **CAMERA**

(71) Applicant: **Shenzhen Fujikam Industry Development Co., Ltd.**, Shenzhen, Guangdong Province (CN)

(72) Inventor: **Cheng Zhiyong**, Guangdong Province (CN)

(73) Assignee: **Shenzhen Fujikam Industry Development Co., Ltd.**, Shenzhen (CN)

(**) Term: **15 Years**

(21) Appl. No.: **29/547,472**

(22) Filed: **Dec. 3, 2015**

(30) **Foreign Application Priority Data**

Jul. 14, 2015 (CN) 2015 3 0252368

(51) **LOC (11) Cl.** **16-01**

(52) **U.S. Cl.**
USPC **D16/203**

(58) **Field of Classification Search**

USPC D16/200, 202-206, 218, 219, 242;
348/143, 148, 151, 373-376; 396/419,
396/427, 535, 539-541
CPC G03B 17/02; G03B 19/04; G03B 17/56;
G03B 17/04; G03B 15/03; H04N 5/2251;
H04N 5/2252; H04N 5/2253; H04N
5/2254; H04N 7/181; H04N 7/183; H04N
7/18; G08B 13/1963; G08B 13/19619;
G08B 13/19632; F16M 11/04; F16M
13/00

See application file for complete search history.

(56) **References Cited**

U.S. PATENT DOCUMENTS

D402,677 S * 12/1998 Hiraguchi D16/203
6,503,000 B1 * 1/2003 Kim G03B 5/06
348/143

D542,319 S * 5/2007 Ishida D16/202
D550,738 S * 9/2007 Hsia D16/202
D552,650 S * 10/2007 Yamakawa D16/203
D558,249 S * 12/2007 Hsia D16/203
D562,870 S * 2/2008 Komatsu D16/203
7,435,019 B2 * 10/2008 Lee G03B 17/02
348/373
D583,845 S * 12/2008 Hayashi D14/130
D661,718 S * 6/2012 Tang D16/202
D719,202 S * 12/2014 Lee D16/202
D741,931 S * 10/2015 Huang D16/202
2010/0245569 A1 * 9/2010 Hakoishi G08B 13/19619
348/143

* cited by examiner

Primary Examiner — Philip S Hyder

Assistant Examiner — Ramzi Almatrahi

(74) *Attorney, Agent, or Firm* — WPAT, P.C., Intellectual Property Attorneys; Anthony King

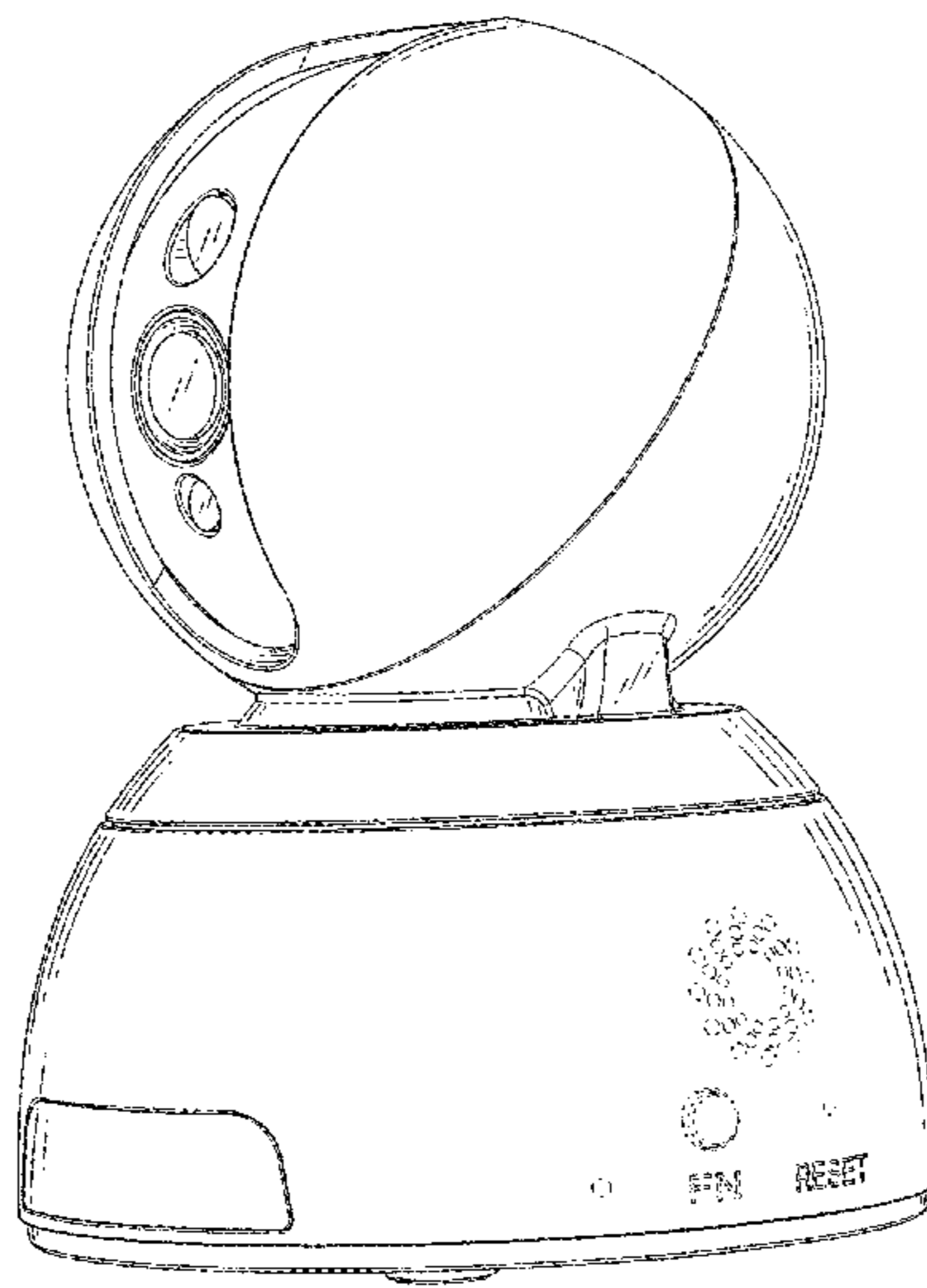
(57) **CLAIM**

The ornamental design for a camera, as shown and described.

DESCRIPTION

FIG. 1 is a front elevation view of a camera;
FIG. 2 is a left side elevation view of the camera of FIG. 1;
FIG. 3 is a perspective view of the camera of FIG. 1;
FIG. 4 is a rear side elevation view of the camera of FIG. 1;
FIG. 5 is a right side elevation view of the camera of FIG. 1;
FIG. 6 is a top plan view of the camera of FIG. 1; and,
FIG. 7 is a bottom plan view of the camera of FIG. 1.
The broken lines depict portions of a camera in which the design is embodied and form no part of the claimed design.

1 Claim, 7 Drawing Sheets



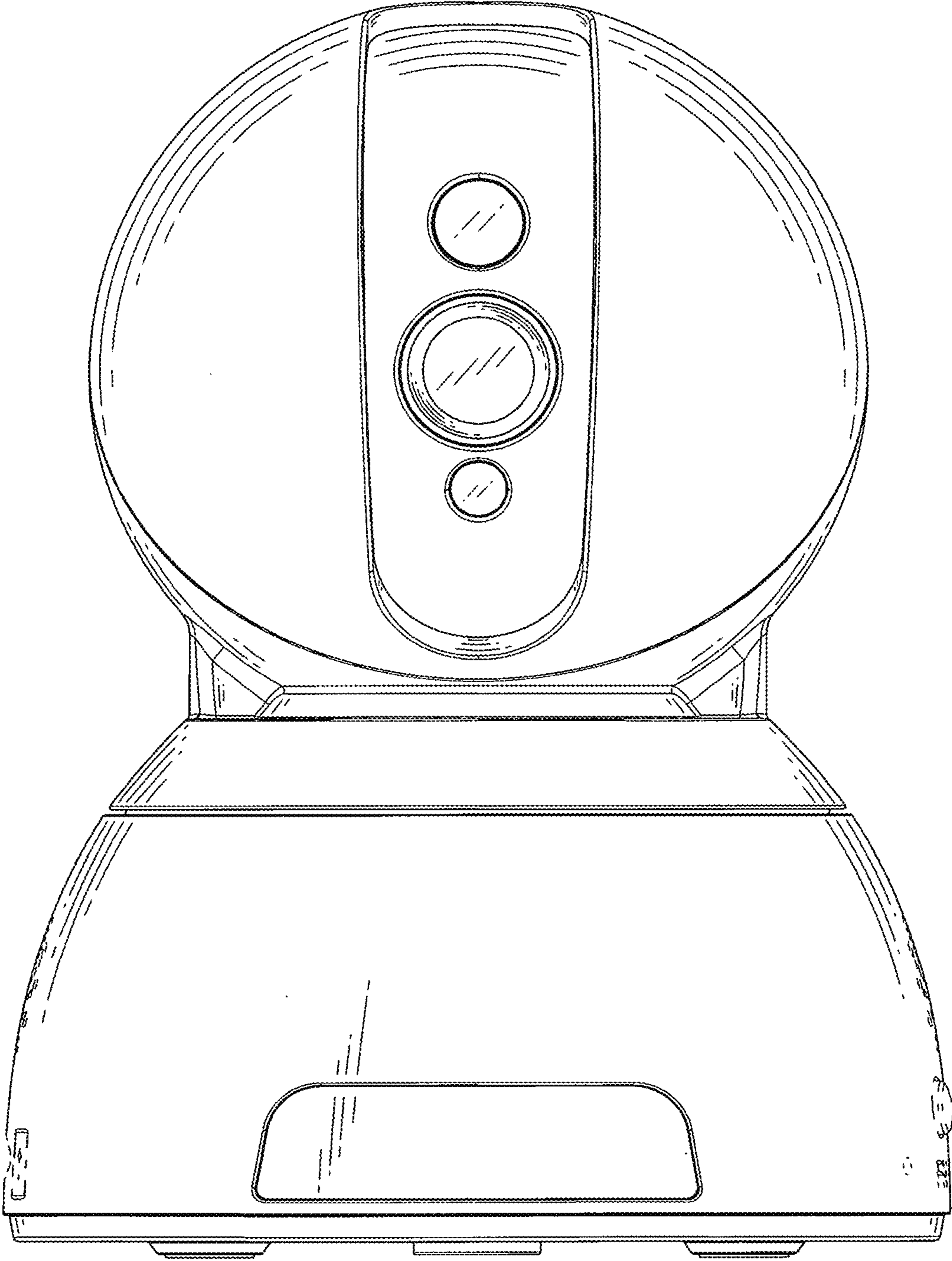


Fig.1

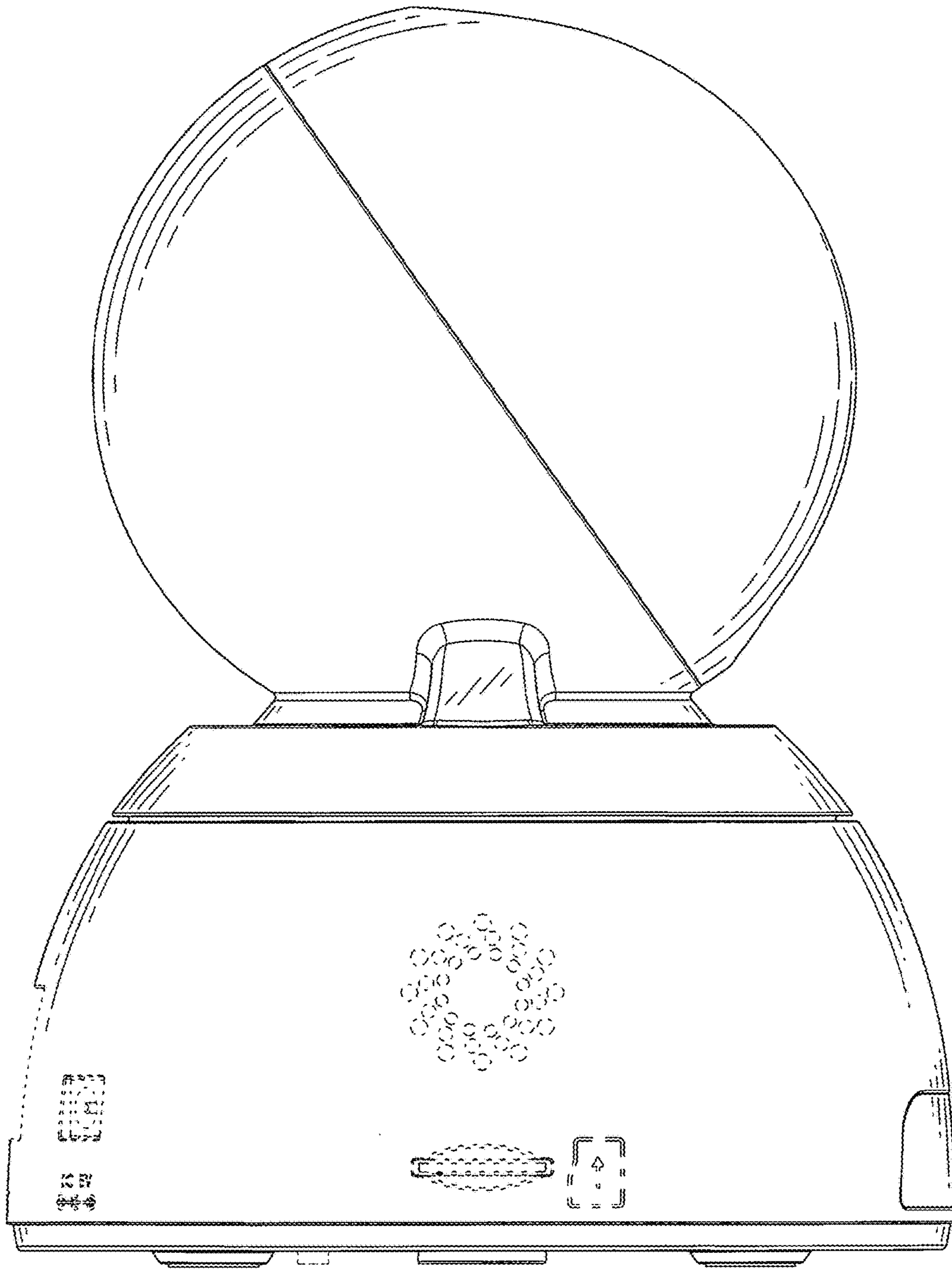


Fig.2

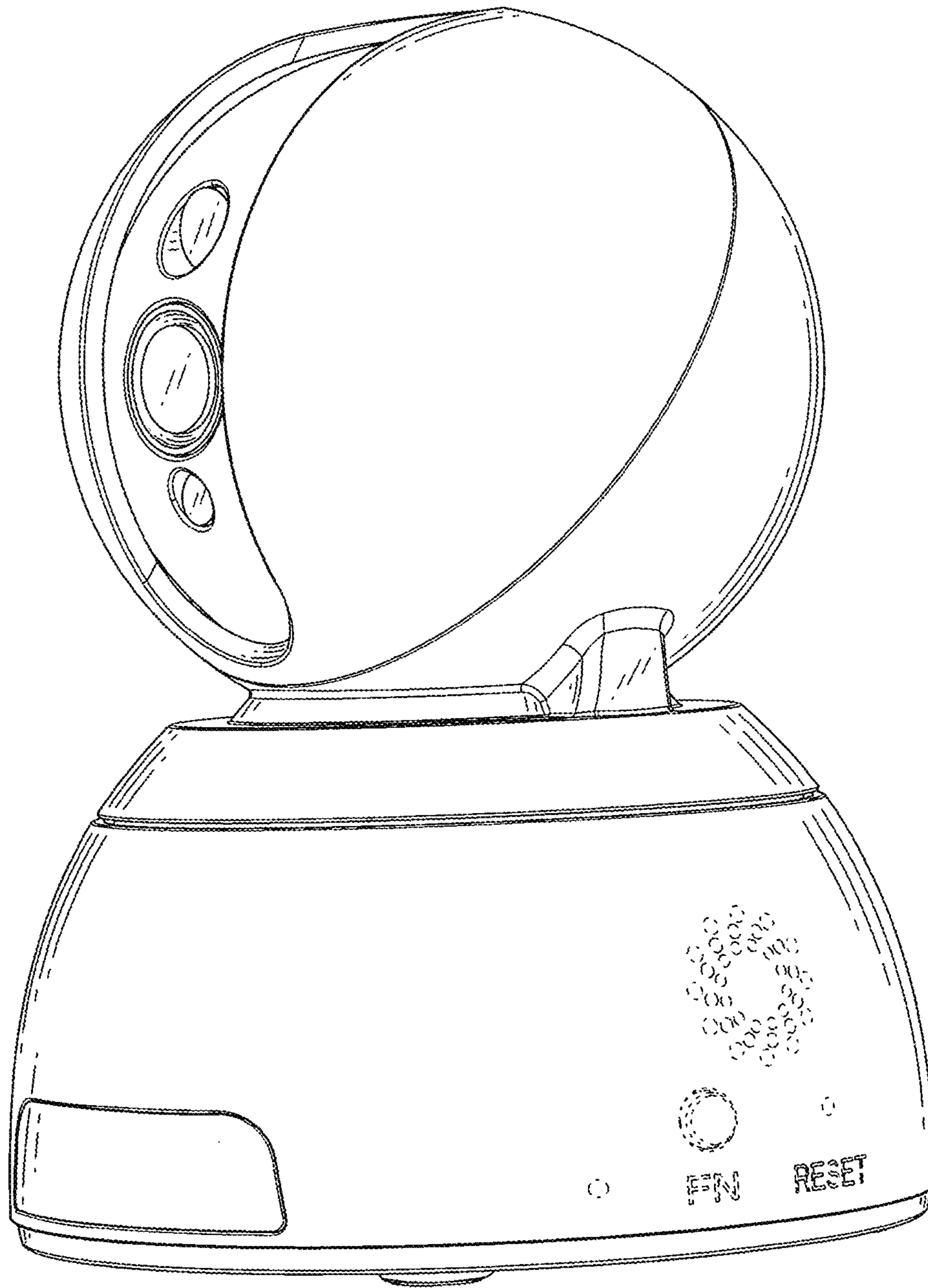


Fig.3

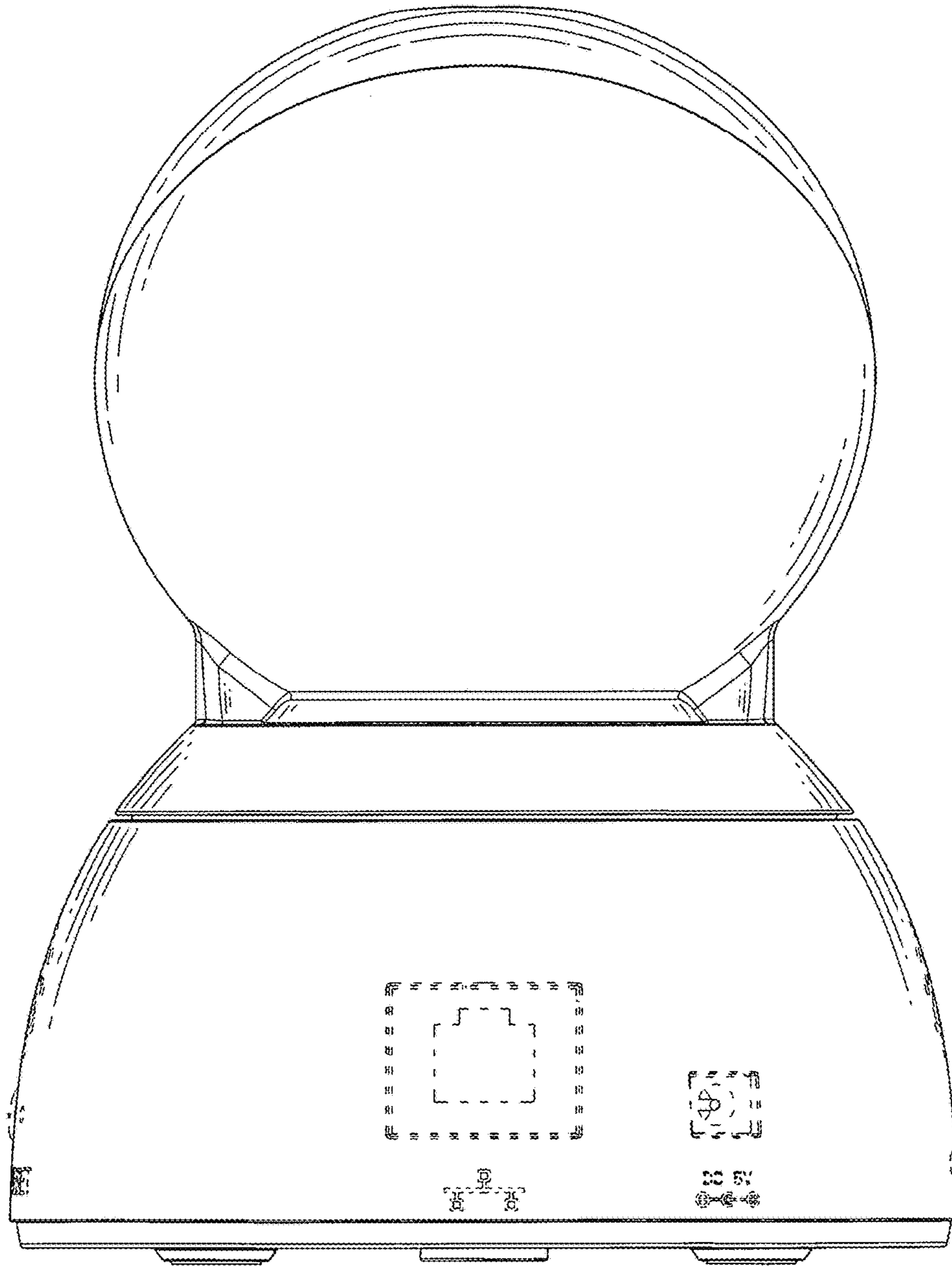


Fig.4

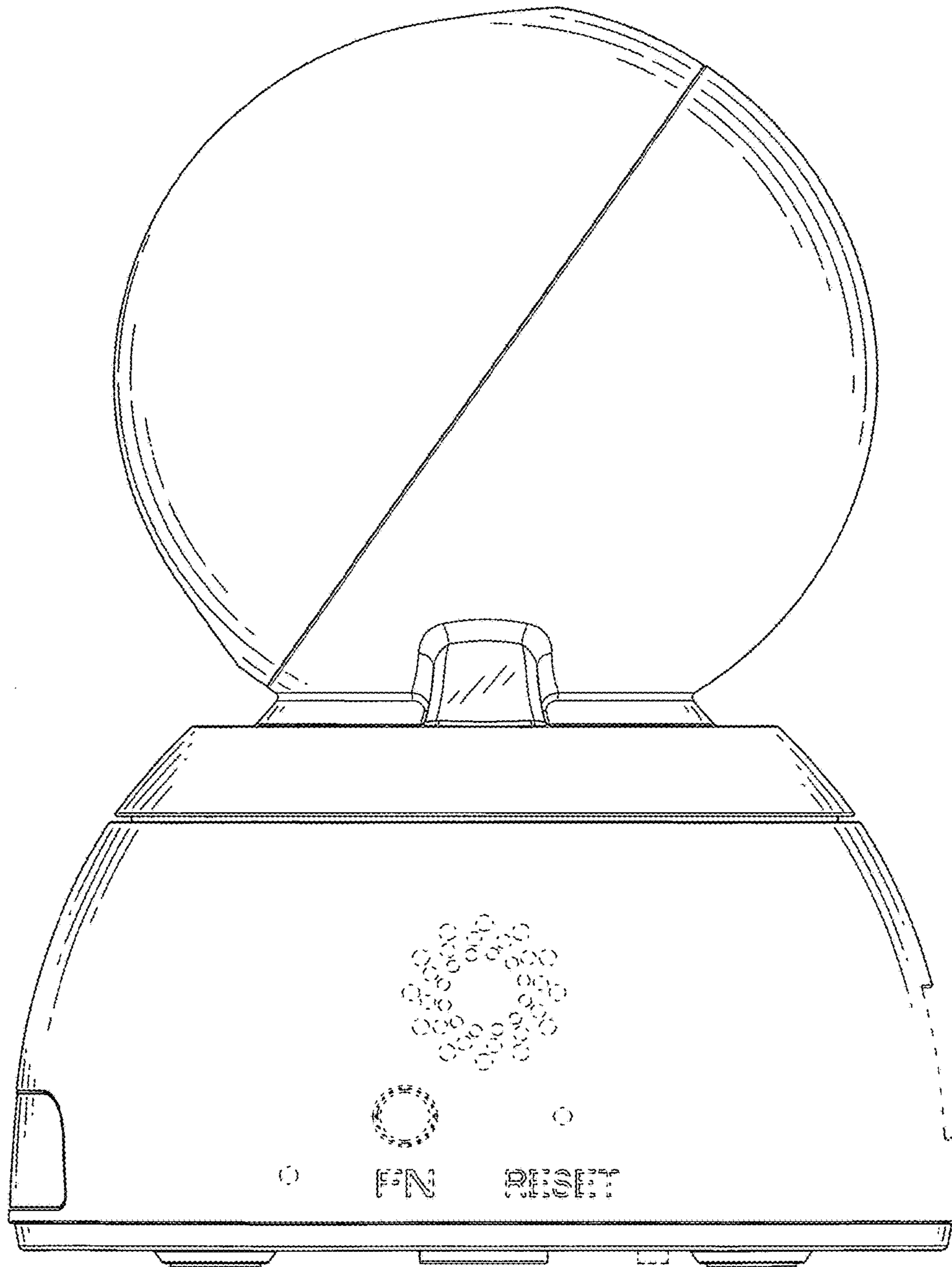


Fig.5

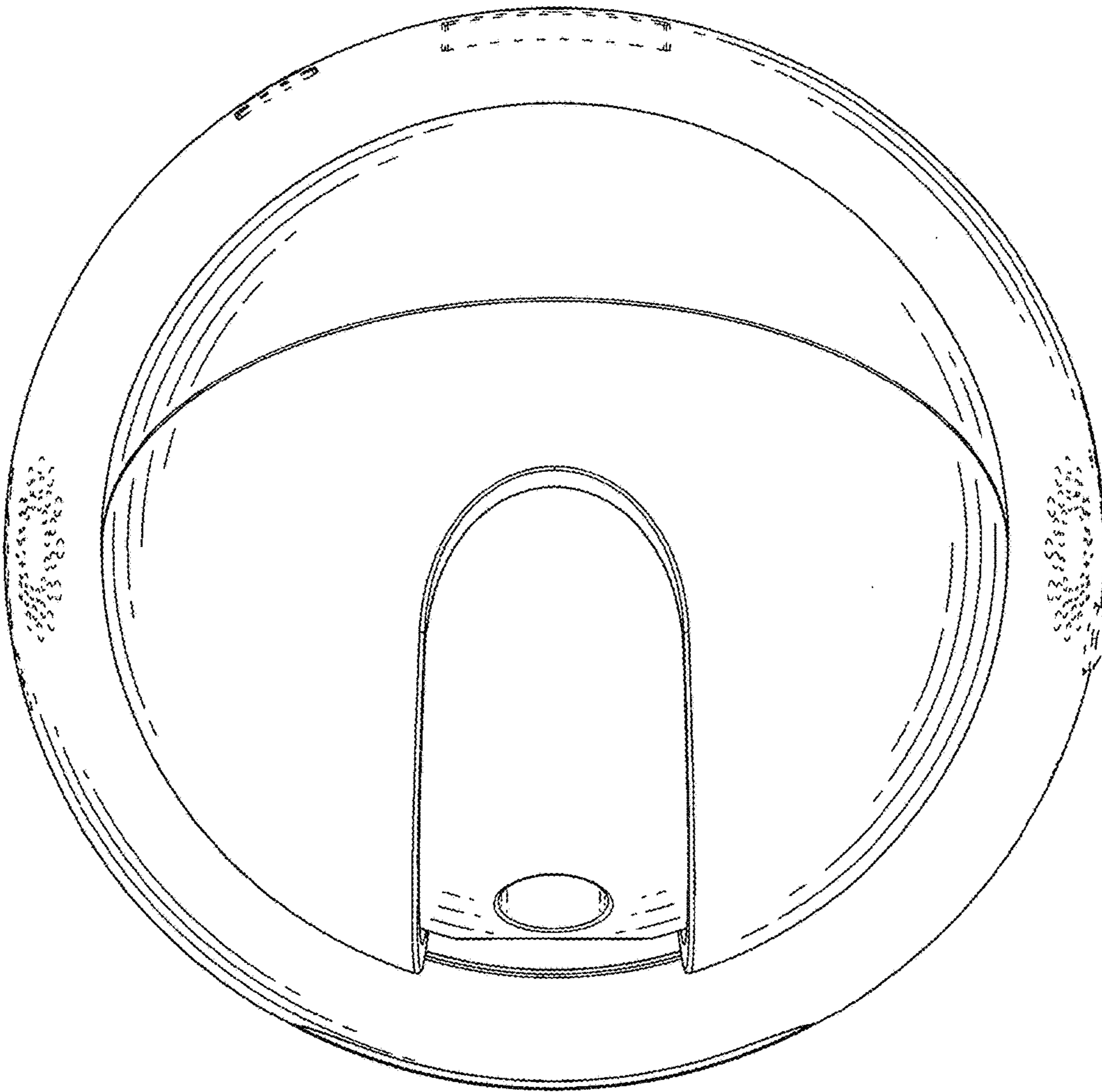


Fig.6

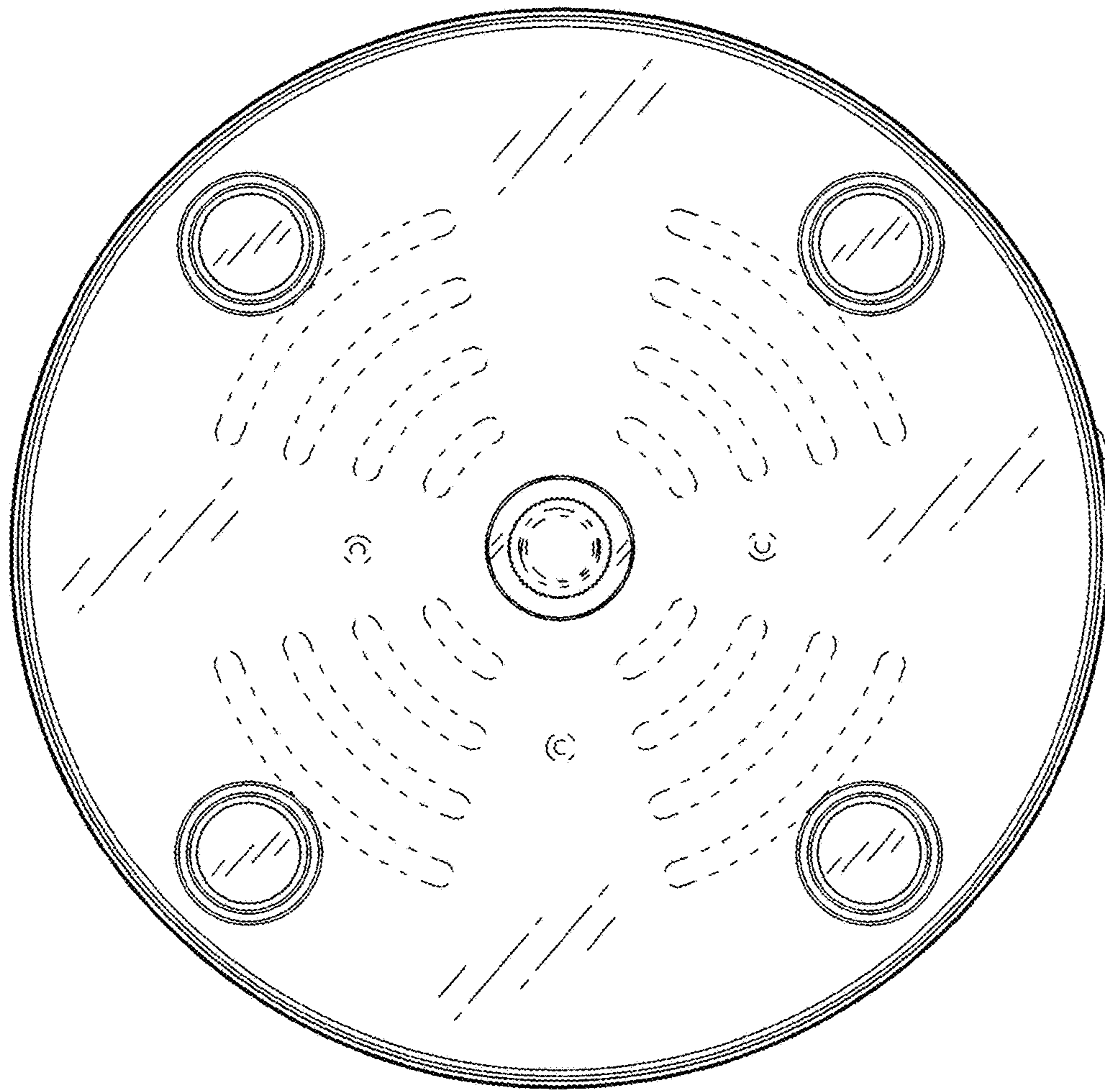


Fig.7