



US00D824982S

(12) **United States Design Patent** (10) **Patent No.:** **US D824,982 S**  
**Lee** (45) **Date of Patent:** **\*\* Aug. 7, 2018**

(54) **WEARABLE CAMERA**

(71) Applicant: **Transcend Information, Inc.**, Taipei (TW)

(72) Inventor: **Yu-Wei Lee**, New Taipei (TW)

(73) Assignee: **Transcend Information, Inc.**, Taipei (TW)

(\*\*) Term: **15 Years**

(21) Appl. No.: **29/572,155**

(22) Filed: **Jul. 25, 2016**

(51) **LOC (11) Cl.** ..... **16-01**

(52) **U.S. Cl.**  
USPC ..... **D16/202**

(58) **Field of Classification Search**  
USPC ..... D16/200–220, 229, 230, 242, 244, 245, D16/238, 225; D14/496, 203.1, 203.3, D14/203.7; D28/41  
CPC ..... H04N 7/181; H04N 7/183; H04N 7/18; H04N 3/08; H04N 5/23248; H04N 5/23287; H04N 5/23258; H04N 5/2251; H04N 5/2252; H04N 2007/145; H04N 7/00; G01C 11/025; G02B 5/00; G03B 15/00; G03B 15/03; G03B 17/56; G03B 17/02; G03B 17/30; G03B 17/04; G03B 17/00; G03B 19/04; G03B 3/00; B60R 1/00; B60R 2300/105; G08B 13/19619; G08B 13/1963; G08B 13/19632; G08B 13/19621; F16M 11/04; F16M 13/00; Y02E 60/12

See application file for complete search history.

(56) **References Cited**

**U.S. PATENT DOCUMENTS**

D377,940 S \* 2/1997 Totsch ..... D16/202  
D385,260 S \* 10/1997 Sakata ..... D16/200  
D390,585 S \* 2/1998 Sakata ..... D16/202  
D396,869 S \* 8/1998 Yamakawa ..... D16/202

D465,504 S \* 11/2002 Van Klinken ..... D16/203  
D475,072 S \* 5/2003 Yoshida ..... D16/202  
D475,382 S \* 6/2003 Horikiri ..... D16/202  
D477,342 S \* 7/2003 Yeh ..... D16/202  
D480,741 S \* 10/2003 Berger ..... D16/202  
D548,763 S \* 8/2007 Boris ..... D16/202

(Continued)

**OTHER PUBLICATIONS**

DPB52 Body Camera Users Manual, announced Jun. 27, 2016 [online].[Site visited Aug. 4, 2017] Available from Internet, URL: <<https://fccid.io/document.php?id=3041111>>.\*

(Continued)

*Primary Examiner* — Barbara G Fox

*Assistant Examiner* — Mary C Ramirez

(74) *Attorney, Agent, or Firm* — Winston Hsu

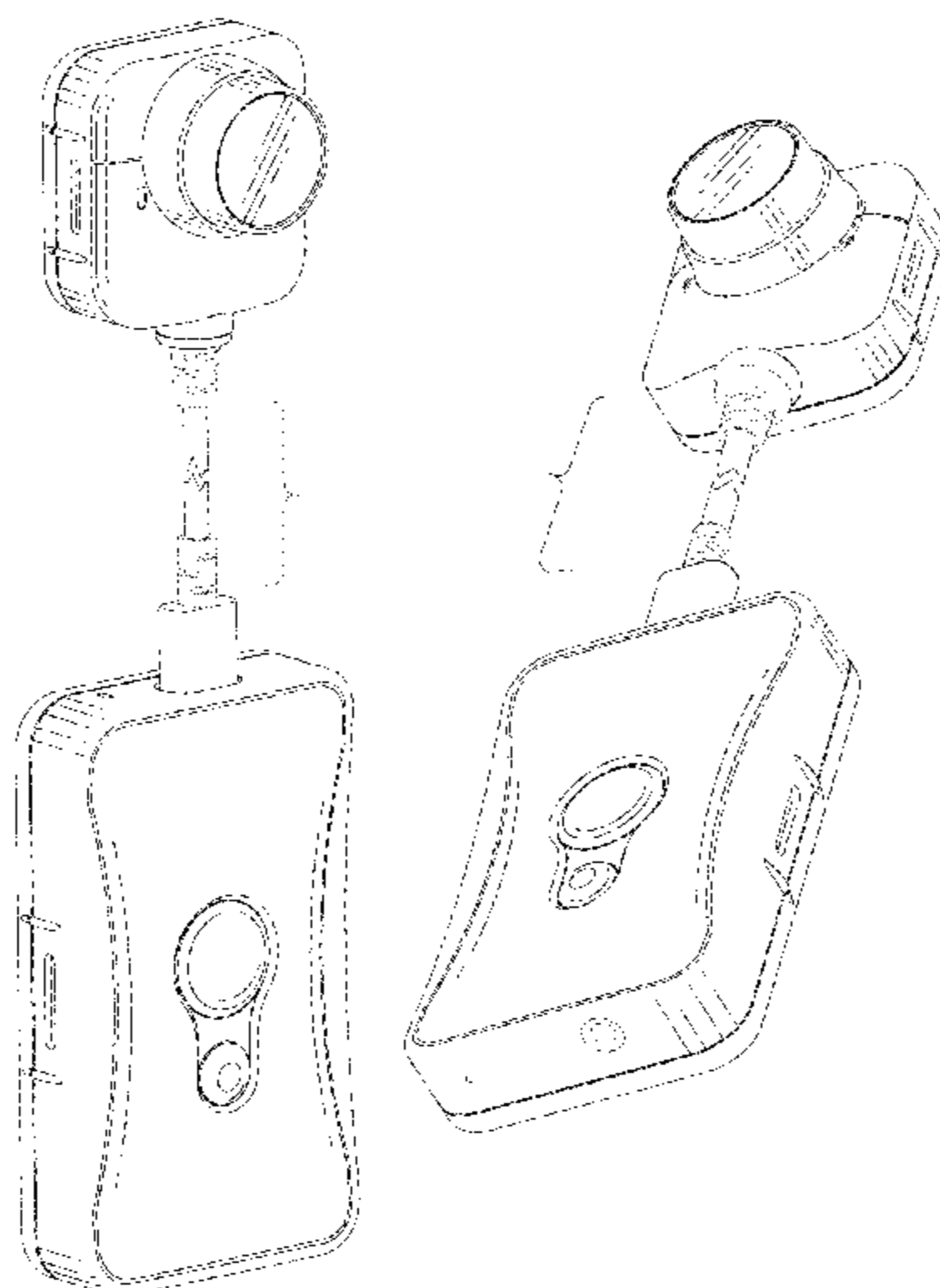
(57) **CLAIM**

The ornamental design for a wearable camera, as shown and described.

**DESCRIPTION**

FIG. 1 is a front, left, top perspective view of a wearable camera showing my new design;  
FIG. 2 is a front view thereof;  
FIG. 3 is a rear view thereof;  
FIG. 4 is a left side view thereof;  
FIG. 5 is a right side view thereof;  
FIG. 6 is a top view thereof;  
FIG. 7 is a bottom view thereof;  
FIG. 8 is a front, right, top perspective view thereof;  
FIG. 9 is a front, left, bottom perspective view thereof; and  
FIG. 10 is a front, right, bottom perspective view thereof.  
The broken lines shown in the drawings depict portions of the wearable camera that form no part of the claimed design. The broken away symbols in the drawings indicate that any portion of the article beyond what is shown forms no part of the claimed design.

**1 Claim, 10 Drawing Sheets**



(56)

References Cited

U.S. PATENT DOCUMENTS

D550,743 S \* 9/2007 Bai ..... D16/200  
 D552,141 S \* 10/2007 Kaplan ..... D16/200  
 D579,887 S \* 11/2008 Yamane ..... D14/127  
 D583,846 S \* 12/2008 Yamane ..... D14/125  
 D616,481 S \* 5/2010 Wampler ..... D16/208  
 D671,584 S \* 11/2012 Ohno ..... D16/202  
 D692,939 S \* 11/2013 Huang ..... D16/218  
 D695,806 S \* 12/2013 Konishi ..... D16/202  
 D725,691 S \* 3/2015 De Rosa ..... D16/202  
 D737,356 S \* 8/2015 Tabuchi ..... D16/218  
 D741,932 S \* 10/2015 Huang ..... D16/202  
 D751,131 S \* 3/2016 Woodman ..... D16/218  
 D754,767 S \* 4/2016 Sandy ..... D16/202  
 D777,236 S \* 1/2017 Mai ..... D16/218  
 D791,211 S \* 7/2017 Fujita ..... D16/219  
 D792,497 S \* 7/2017 Oliveira ..... D16/208  
 D800,085 S \* 10/2017 Shepher ..... D14/138 R  
 2001/0050711 A1\* 12/2001 Karube ..... G06F 1/16  
 348/220.1

2001/0050720 A1\* 12/2001 Karube ..... G06F 1/16  
 348/373  
 2010/0260493 A1\* 10/2010 Kato ..... G02B 27/646  
 396/55  
 2012/0014688 A1\* 1/2012 Ma ..... G03B 17/02  
 396/535  
 2014/0092299 A1\* 4/2014 Phillips ..... H04N 5/2252  
 348/376  
 2016/0112636 A1\* 4/2016 Yamaguchi ..... H04N 5/23245  
 348/158

OTHER PUBLICATIONS

DrivePro Body 52, announced 2017 [online], [site visited Aug. 4, 2017], Available from Internet, URL: <<https://www.youtube.com/watch?v=RfDRXHka0tA>> approximately at 0:02.\*  
 Transcend 32GB Drive Pro 52 Body, announced Aug. 18, 2016 [online], [Site visited Aug. 4, 2017], Available from Internet, URL: <<https://www.amazon.com/Transcend-Drive-Surveillance-Camera-TS32GDPB52A/dp/B01H5RHK7G>>.\*

\* cited by examiner

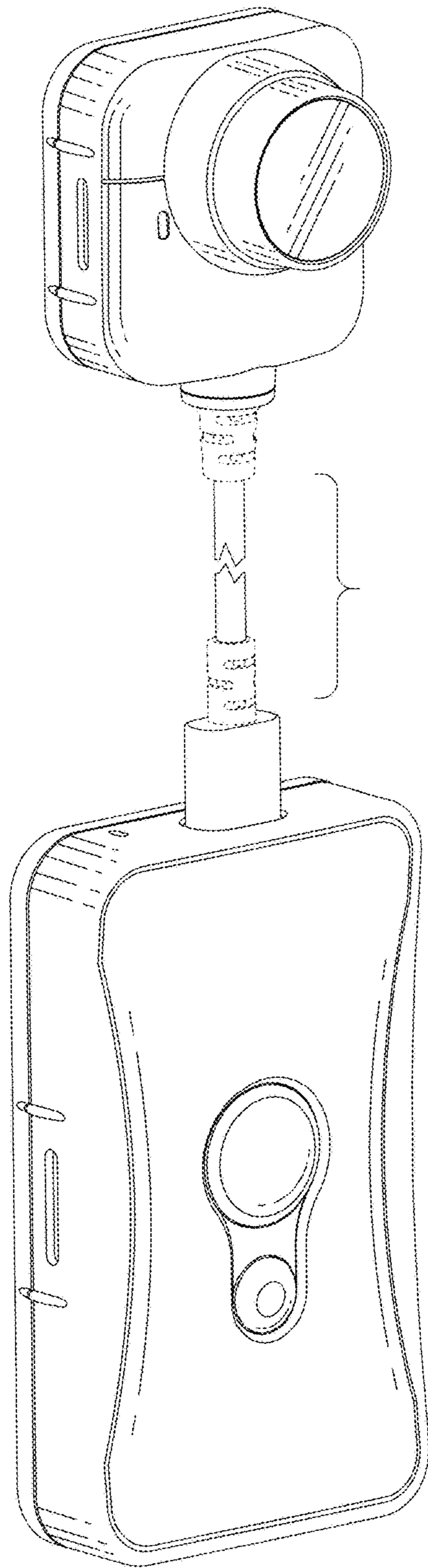


FIG. 1

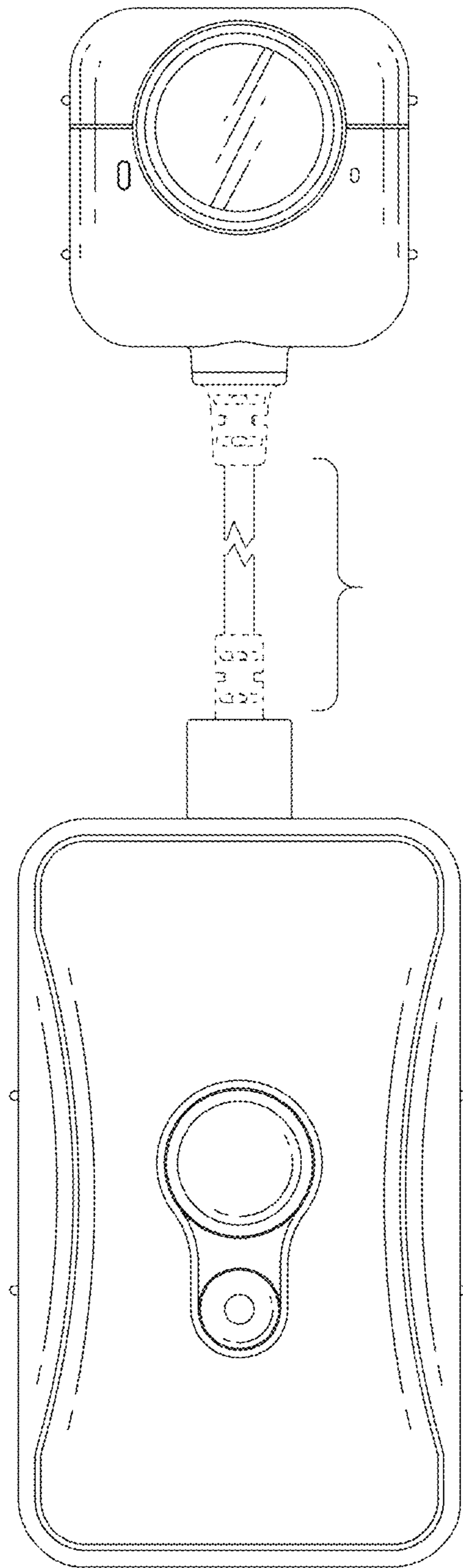


FIG. 2

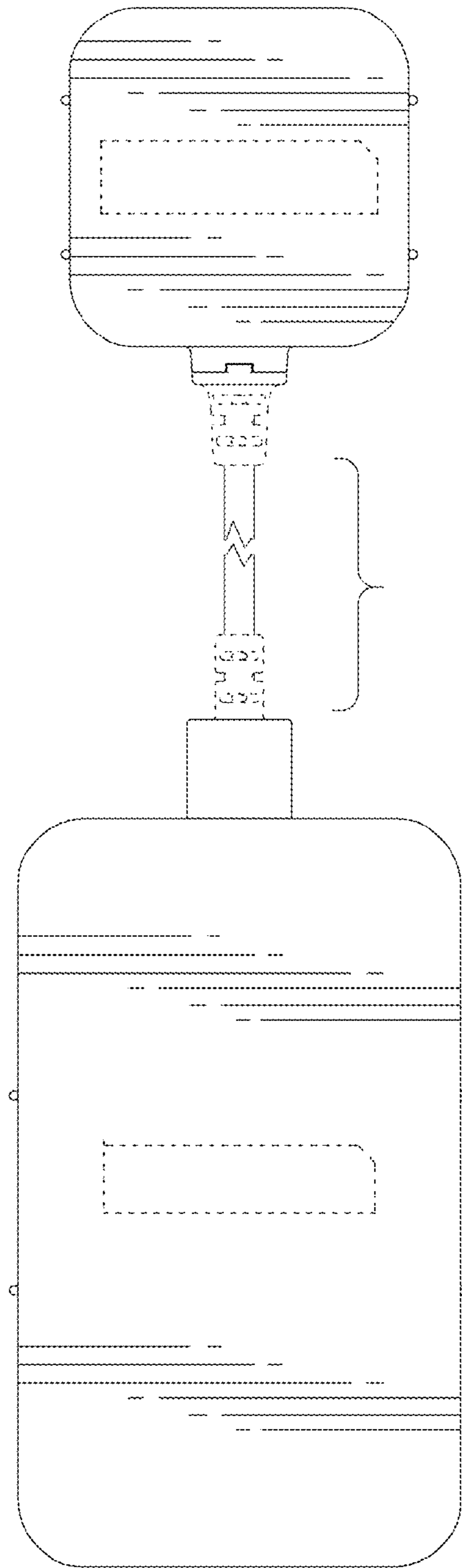


FIG. 3

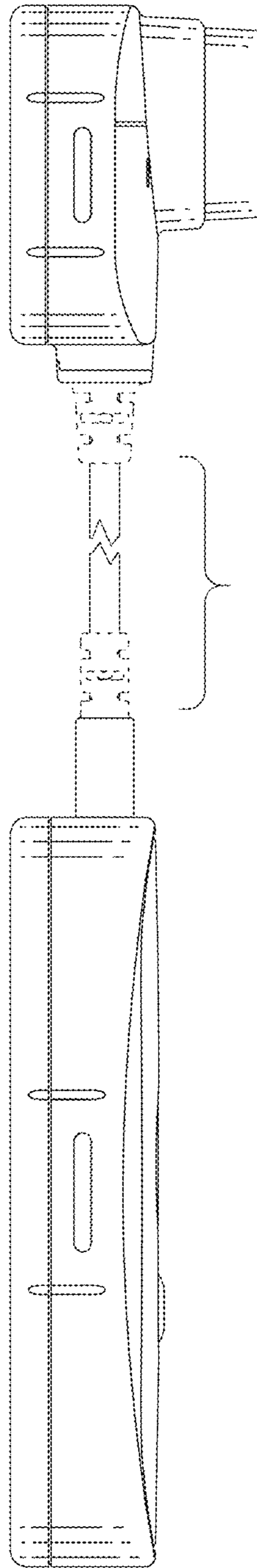


FIG. 4

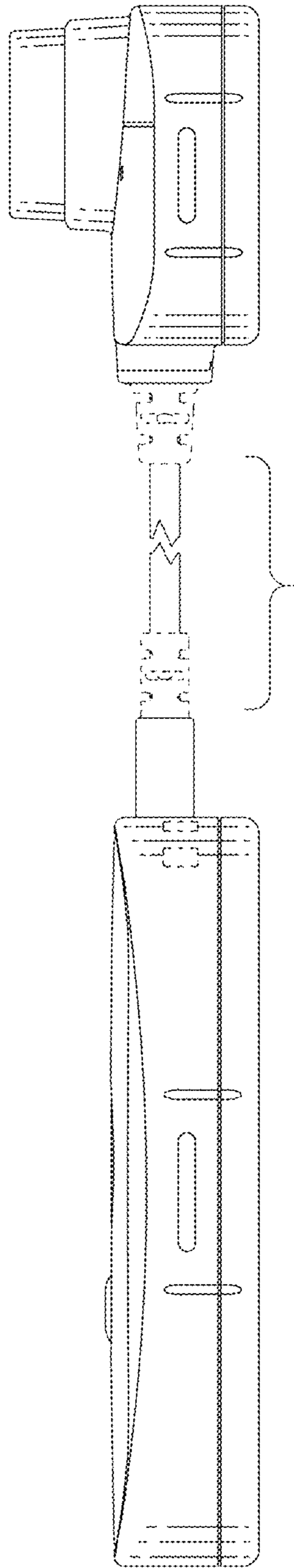


FIG. 5

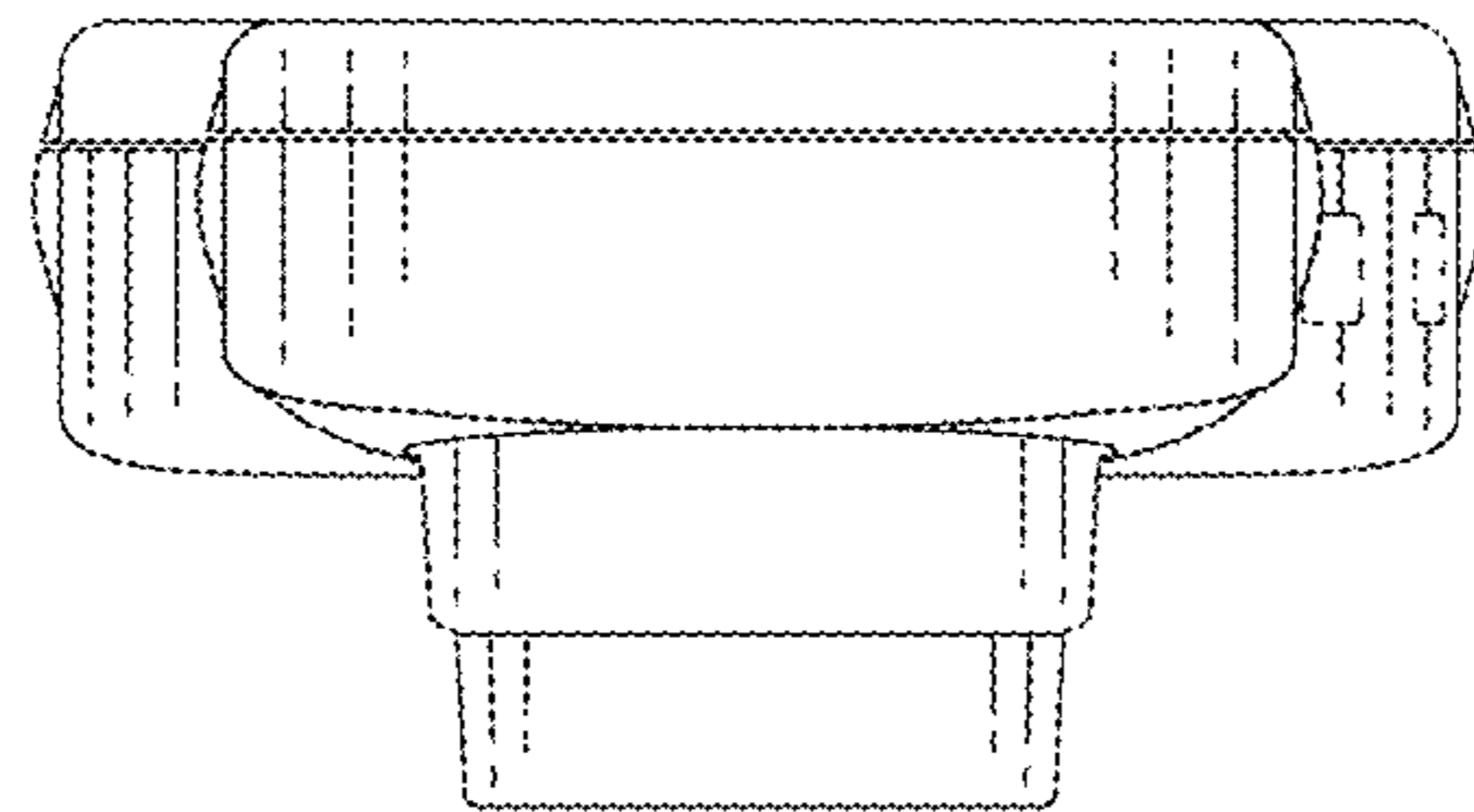


FIG. 6



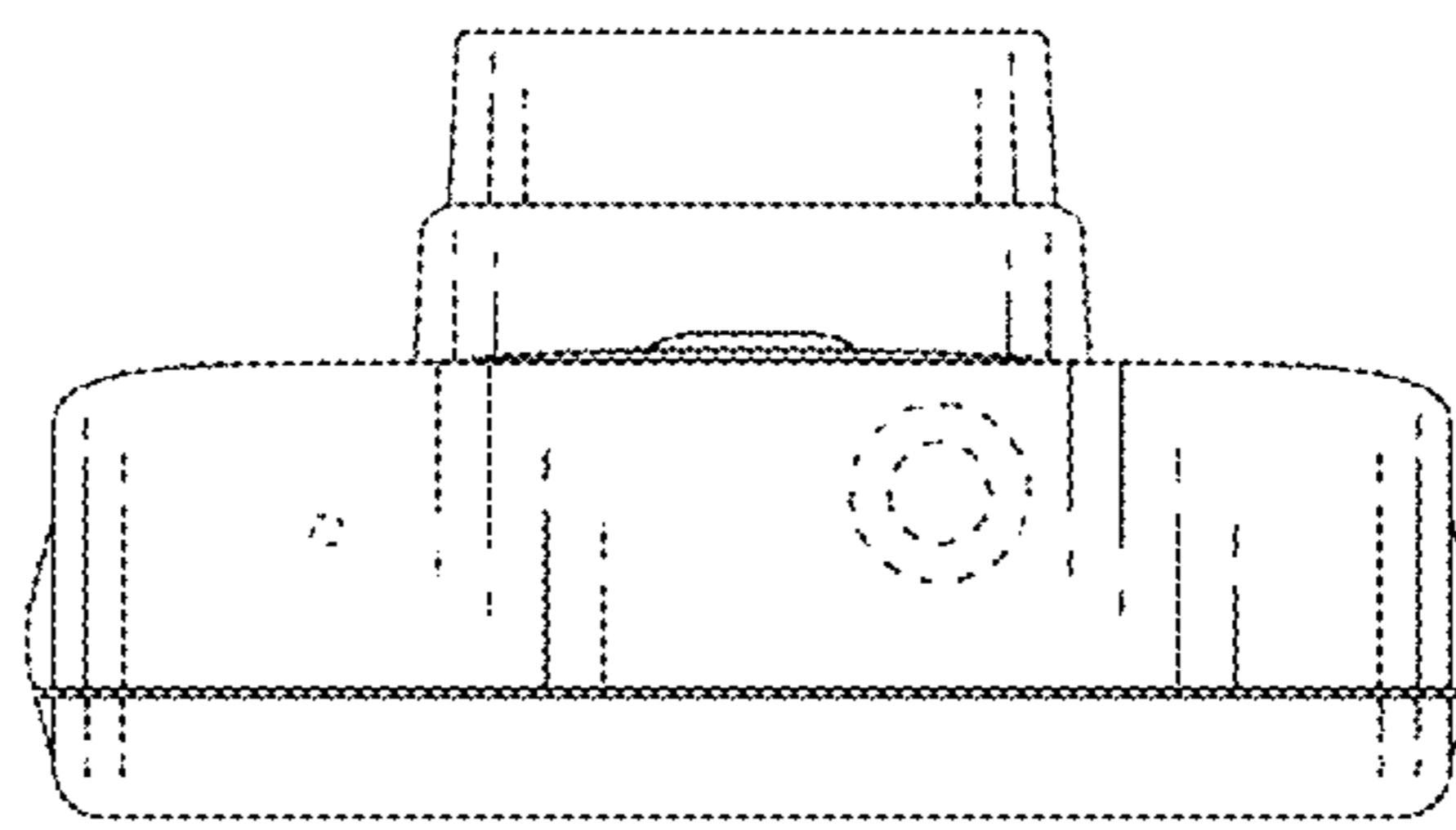


FIG. 7

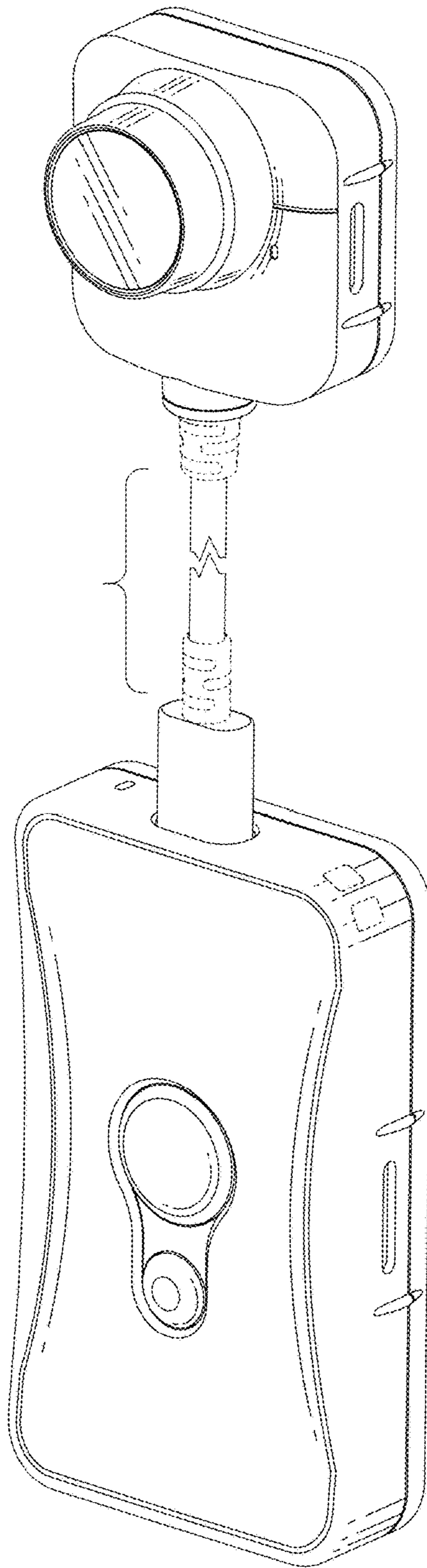


FIG. 8

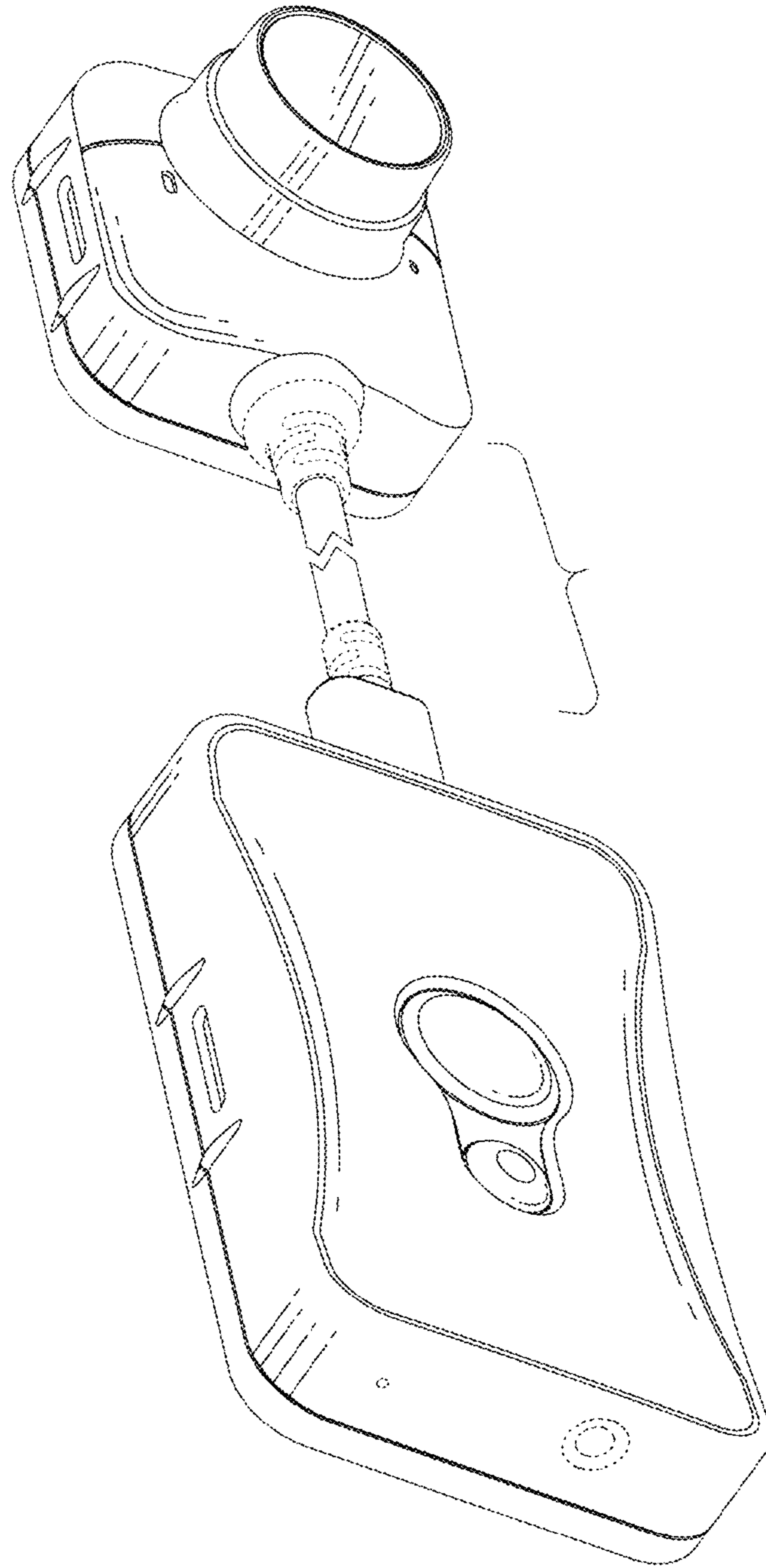


FIG. 9

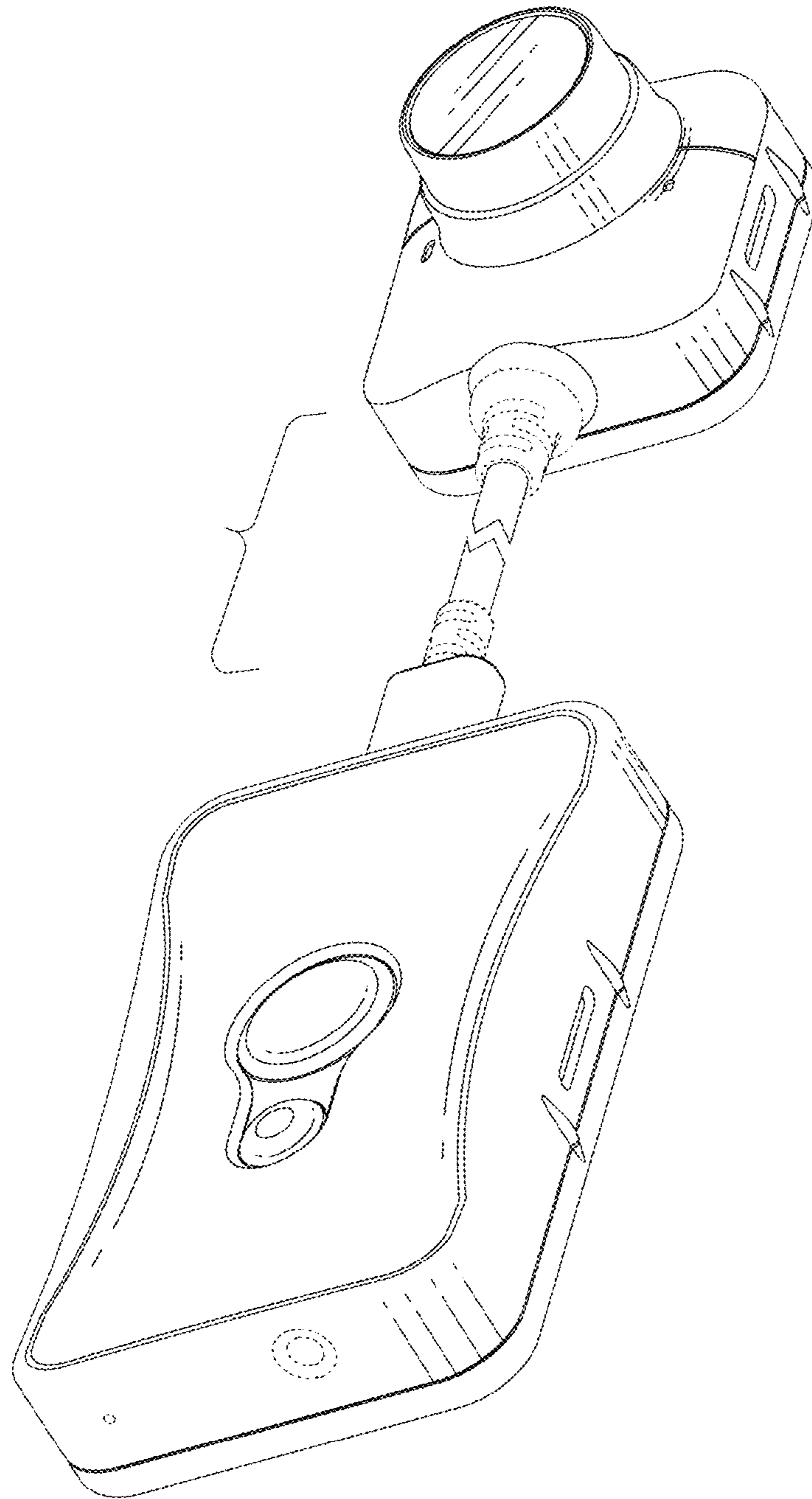


FIG. 10