



US00D824980S

(12) **United States Design Patent** (10) **Patent No.:** **US D824,980 S**
Harris et al. (45) **Date of Patent:** **** Aug. 7, 2018**

(54) **SUPPORT FOR ROBOTIC ARM**
(71) Applicant: **AM Networks LLC**, Round Rock, TX (US)
(72) Inventors: **Joshua B. Harris**, Cambridge, MA (US); **Joshua Young**, Austin, TX (US)
(73) Assignee: **AM Networks LLC**, Round Rock, TX (US)
(**) Term: **15 Years**

2010/0148021 A1* 6/2010 Fadler A61B 8/0825
248/124.1
2010/0163694 A1* 7/2010 Fadler A61B 8/0825
248/125.2
2010/0290886 A1* 11/2010 Hashimoto B25J 9/042
414/800
2012/0215358 A1 8/2012 Gettings et al.
2013/0313382 A1* 11/2013 Jakubczak F16M 11/10
248/124.1
2014/0210224 A1* 7/2014 Hashimoto H01L 21/67742
294/213
2014/0251056 A1* 9/2014 Preuss B25J 9/042
74/490.05

(Continued)

(21) Appl. No.: **29/597,351**
(22) Filed: **Mar. 16, 2017**
(51) **LOC (11) Cl.** **15-99**
(52) **U.S. Cl.**
USPC **D15/199**
(58) **Field of Classification Search**
USPC D15/199; D21/578-583, 621, 622
CPC A61B 8/0825; A61B 8/4218; A61B 90/50;
A61B 2090/504; A61B 2090/508
See application file for complete search history.

FOREIGN PATENT DOCUMENTS

WO 2004/096502 11/2004
WO 2009/086495 7/2009

Primary Examiner — Patricia A Palasik
(74) *Attorney, Agent, or Firm* — Toler Law Group, PC

(57) **CLAIM**

The ornamental design for a support for a robotic arm, as shown and described.

(56) **References Cited**

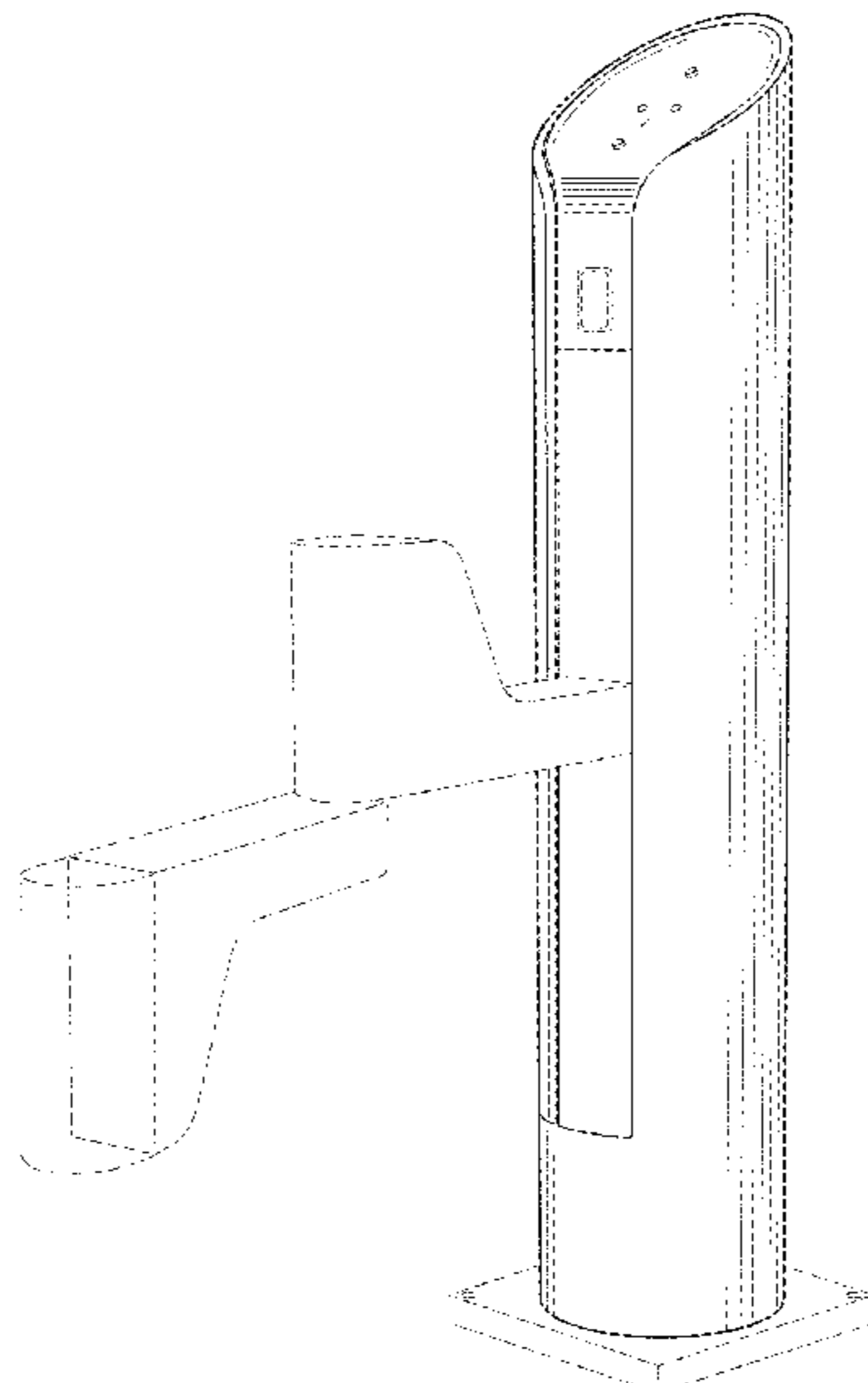
DESCRIPTION

U.S. PATENT DOCUMENTS

D206,094 S * 10/1966 Hill D15/122
D293,324 S * 12/1987 Gotou D15/122
D298,834 S * 12/1988 Jones D15/122
4,863,133 A 9/1989 Bonnell
5,410,944 A 5/1995 Cushman
6,246,200 B1 6/2001 Blumenkranz
7,578,649 B2* 8/2009 Caveney B25J 9/042
414/744.1
D715,441 S * 10/2014 Li D24/158
D715,940 S * 10/2014 Li D24/158
D715,941 S * 10/2014 Li D24/158
D767,139 S * 9/2016 Liu D24/158
D767,765 S * 9/2016 Lin D24/158
2008/0213077 A1 9/2008 Tanaka et al.
2010/0031088 A1 2/2010 Suzuki

FIG. 1 is a perspective view of the support for a robotic arm of the present invention;
FIG. 2 is a front view thereof;
FIG. 3 is a rear view thereof;
FIG. 4 is a top view thereof;
FIG. 5 is a bottom view thereof;
FIG. 6 is a right side view thereof; and
FIG. 7 is a left side view thereof;
FIG. 8 is another perspective view thereof; and,
FIG. 9 is yet another perspective view thereof.
The broken lines in the drawings depict unclaimed environmental subject matter.

1 Claim, 9 Drawing Sheets



(56)

References Cited

U.S. PATENT DOCUMENTS

2015/0158185 A1* 6/2015 Hsieh B25J 9/044
74/490.03
2015/0366433 A1* 12/2015 Atarot A61B 1/0016
600/102
2016/0100897 A1* 4/2016 Avalos A61B 17/0206
600/411
2016/0107317 A1* 4/2016 Hashimoto B25J 9/042
414/744.2
2017/0217013 A1* 8/2017 Iqtidar B25J 5/007
2017/0225336 A1* 8/2017 Deyle G08B 13/196
2017/0340408 A1* 11/2017 Oginski A61G 12/002

* cited by examiner

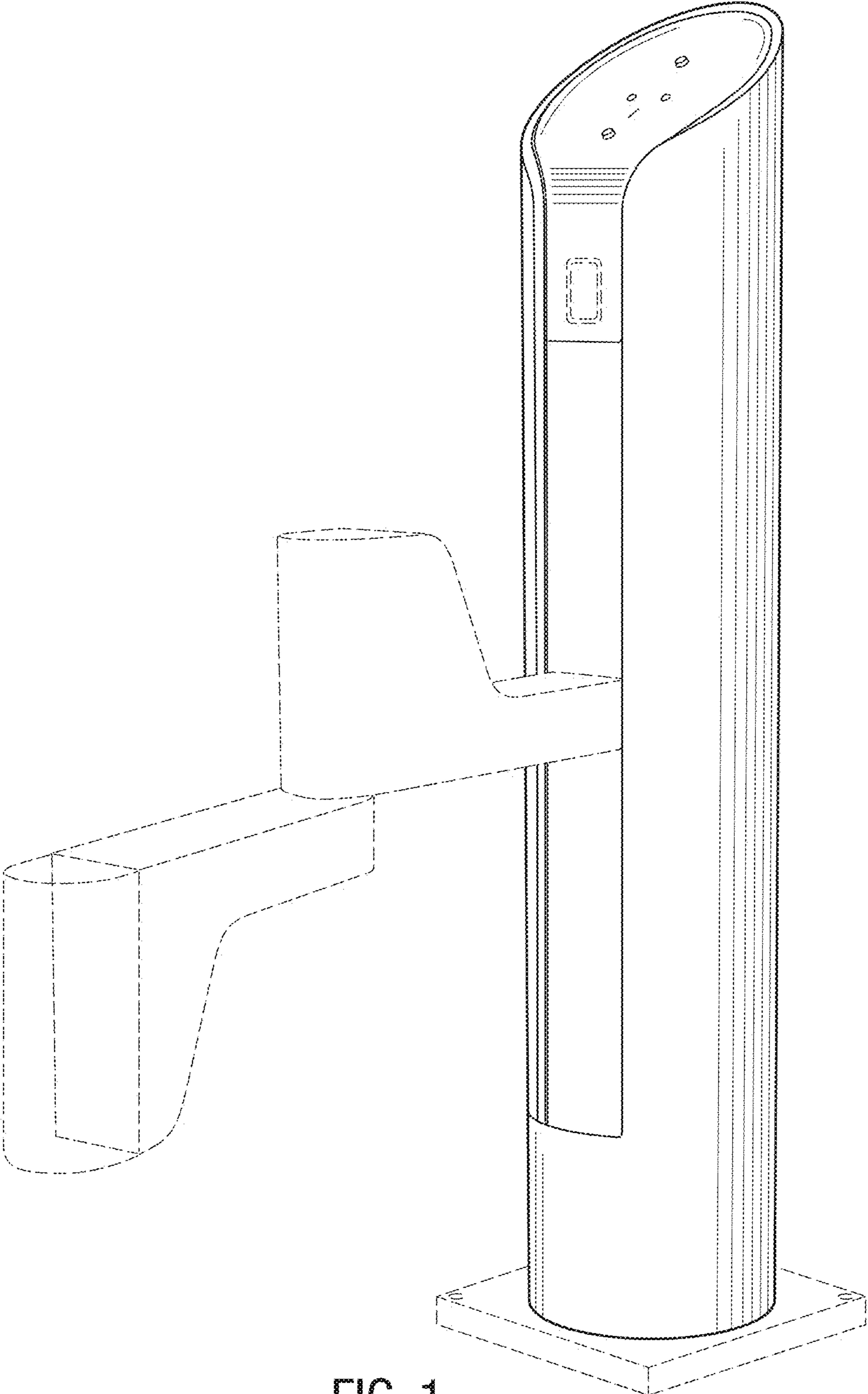


FIG. 1

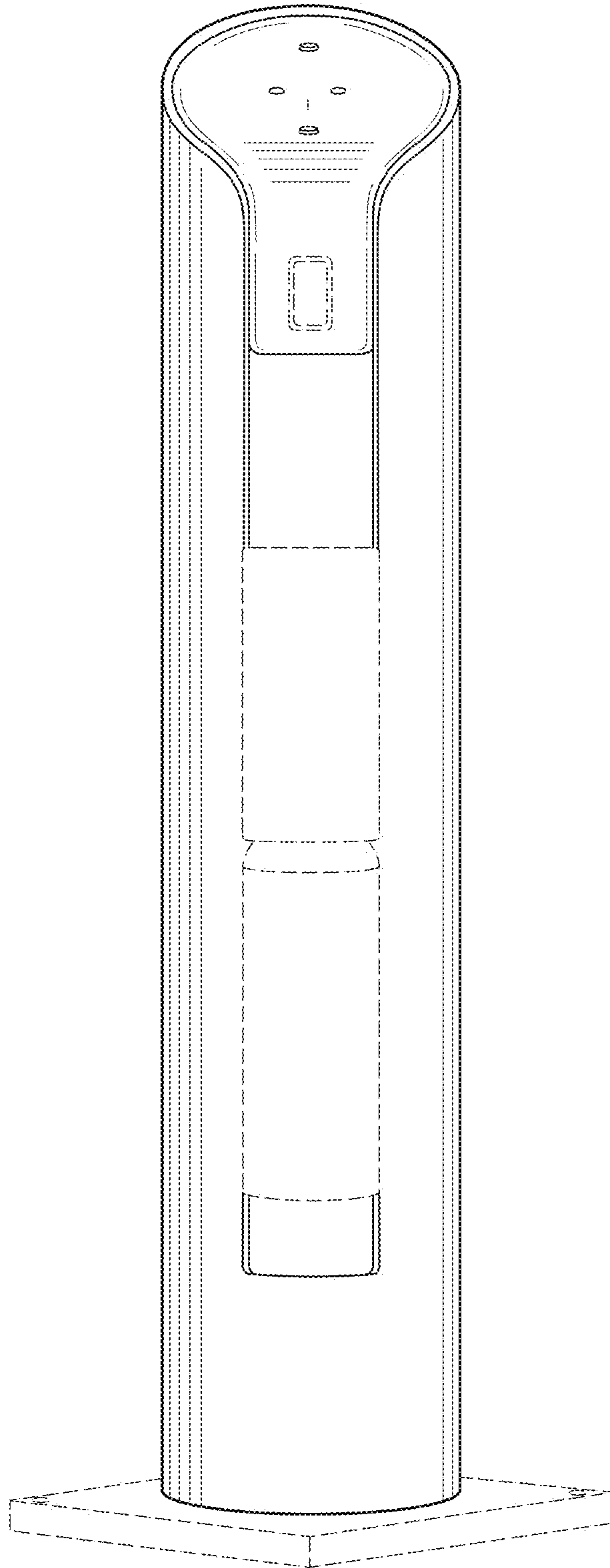


FIG. 2

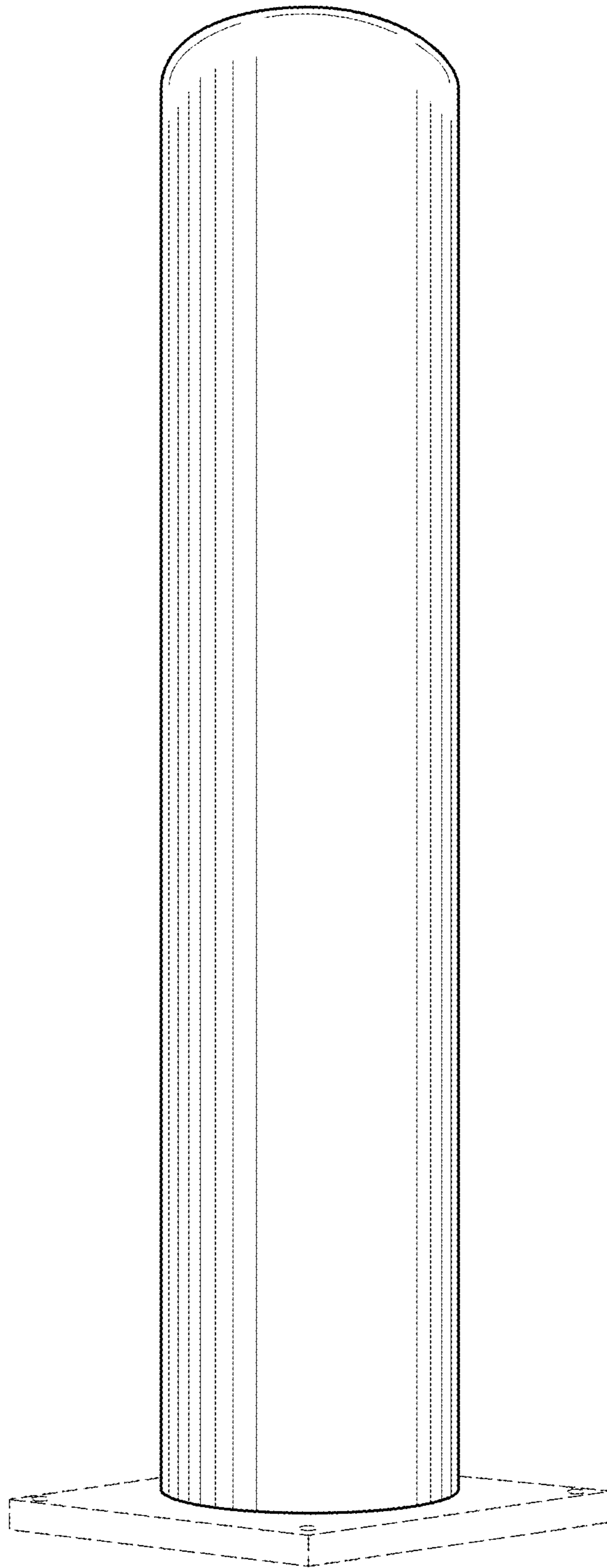


FIG. 3

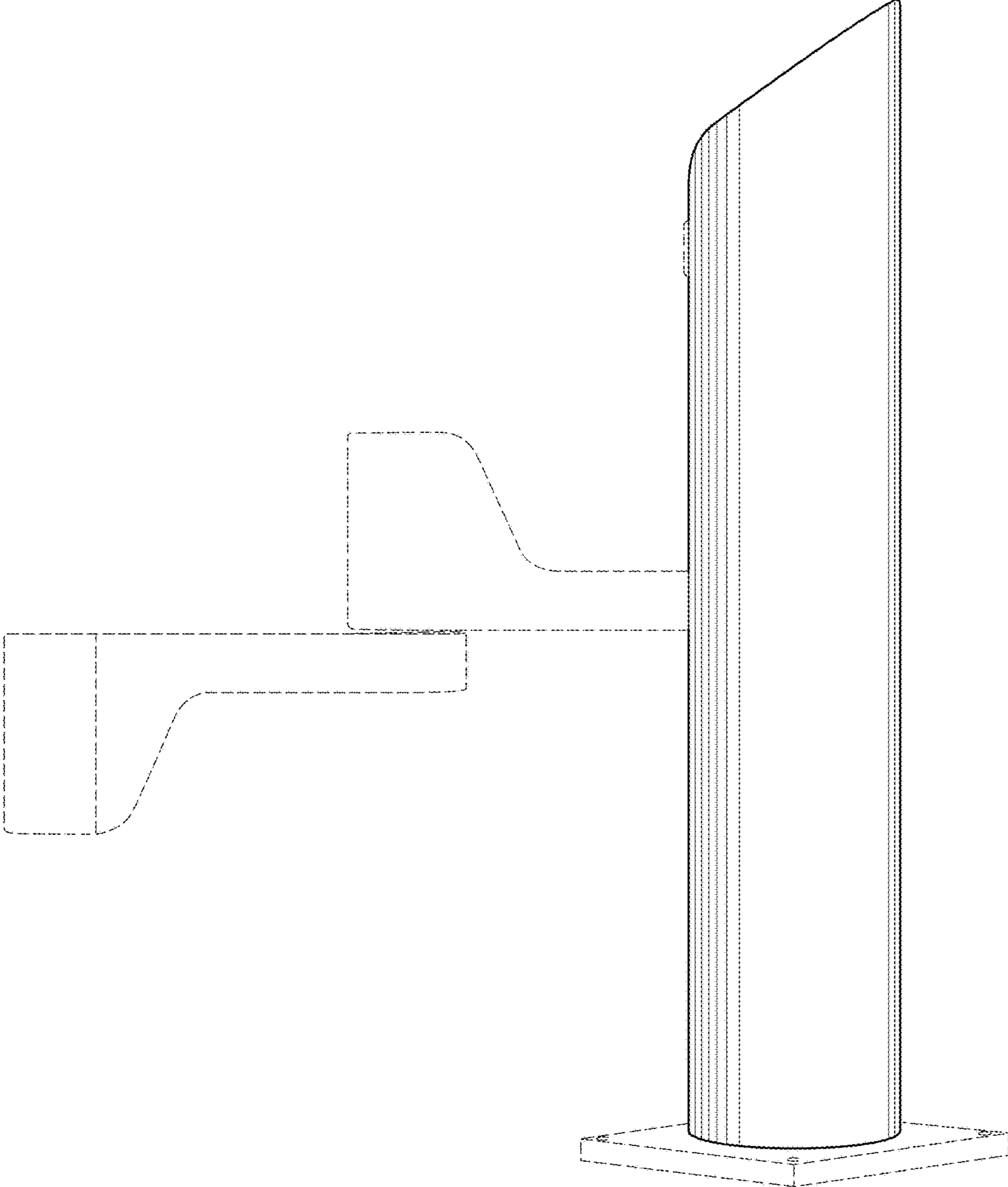


FIG. 4

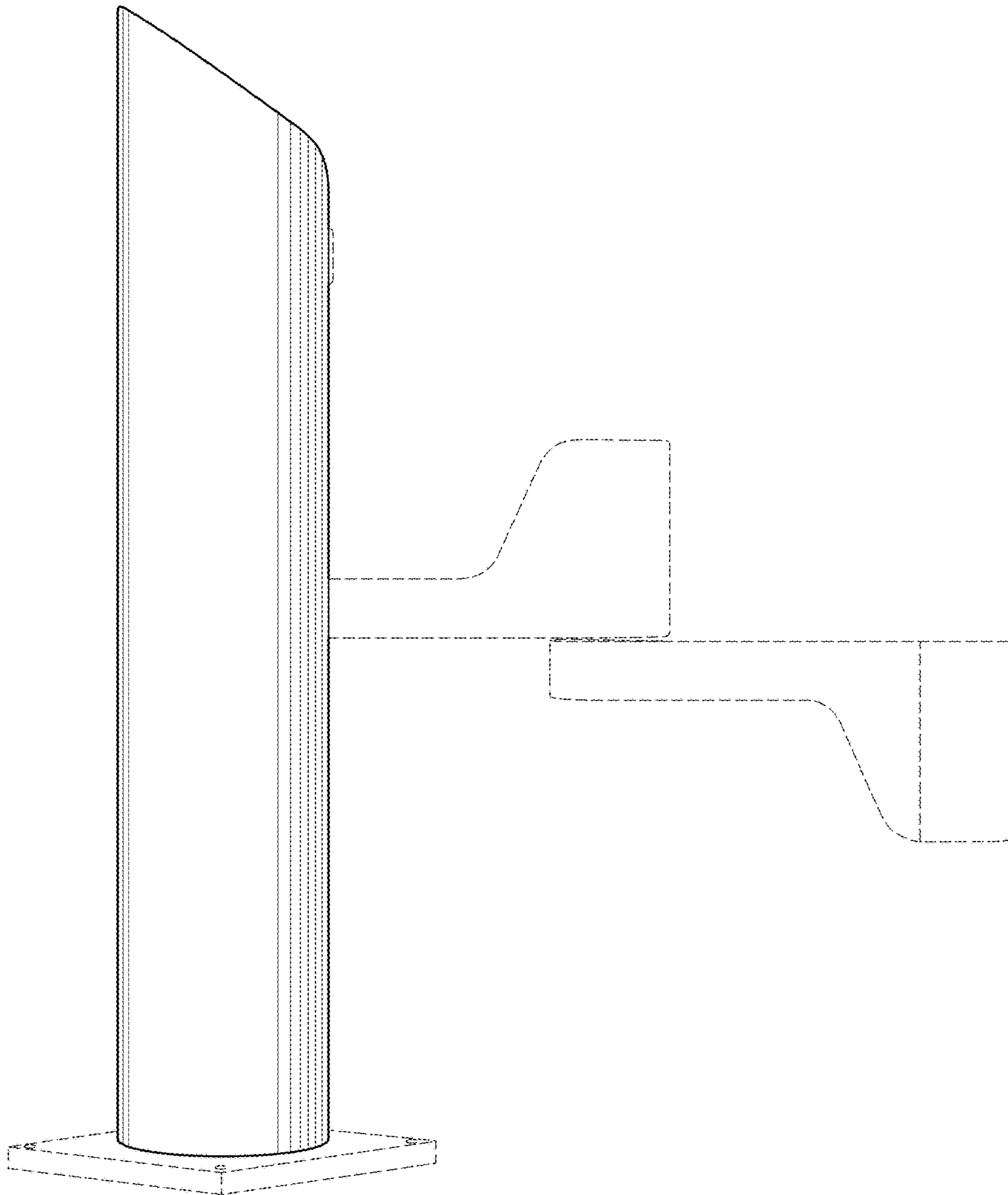


FIG. 5

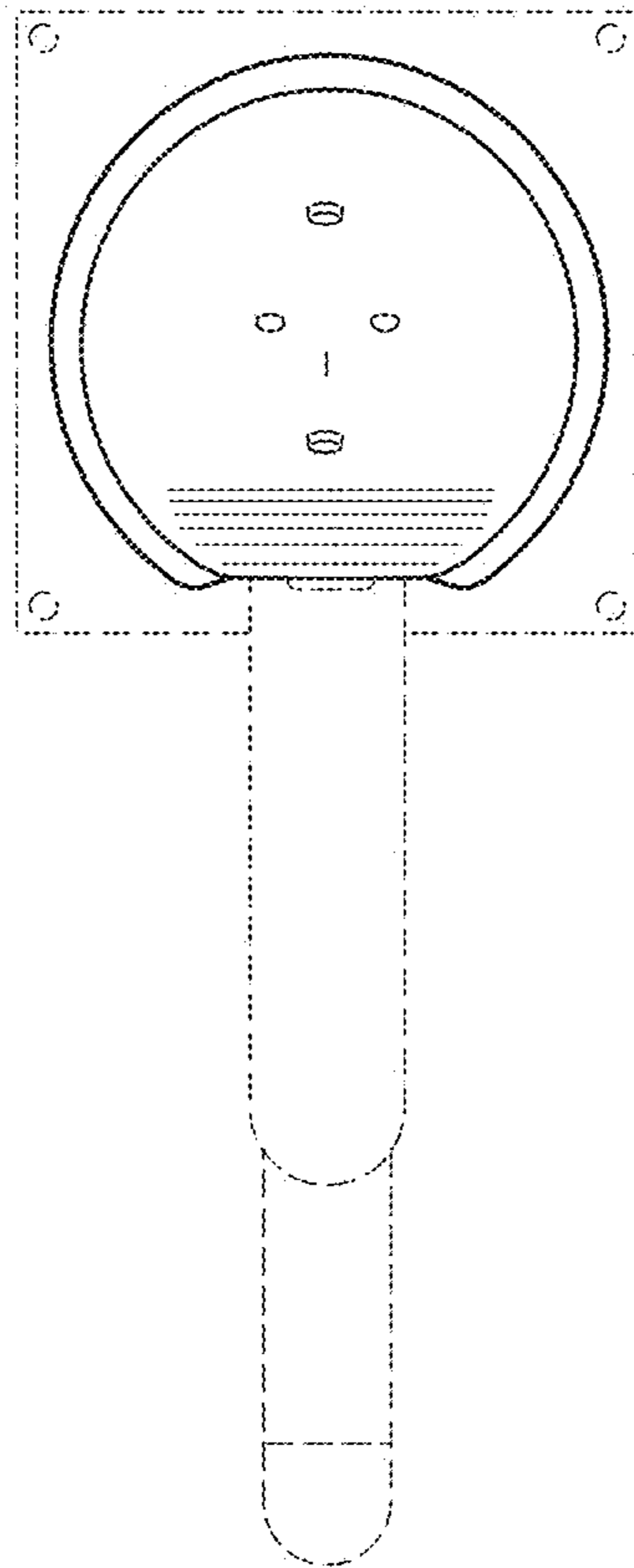


FIG. 6

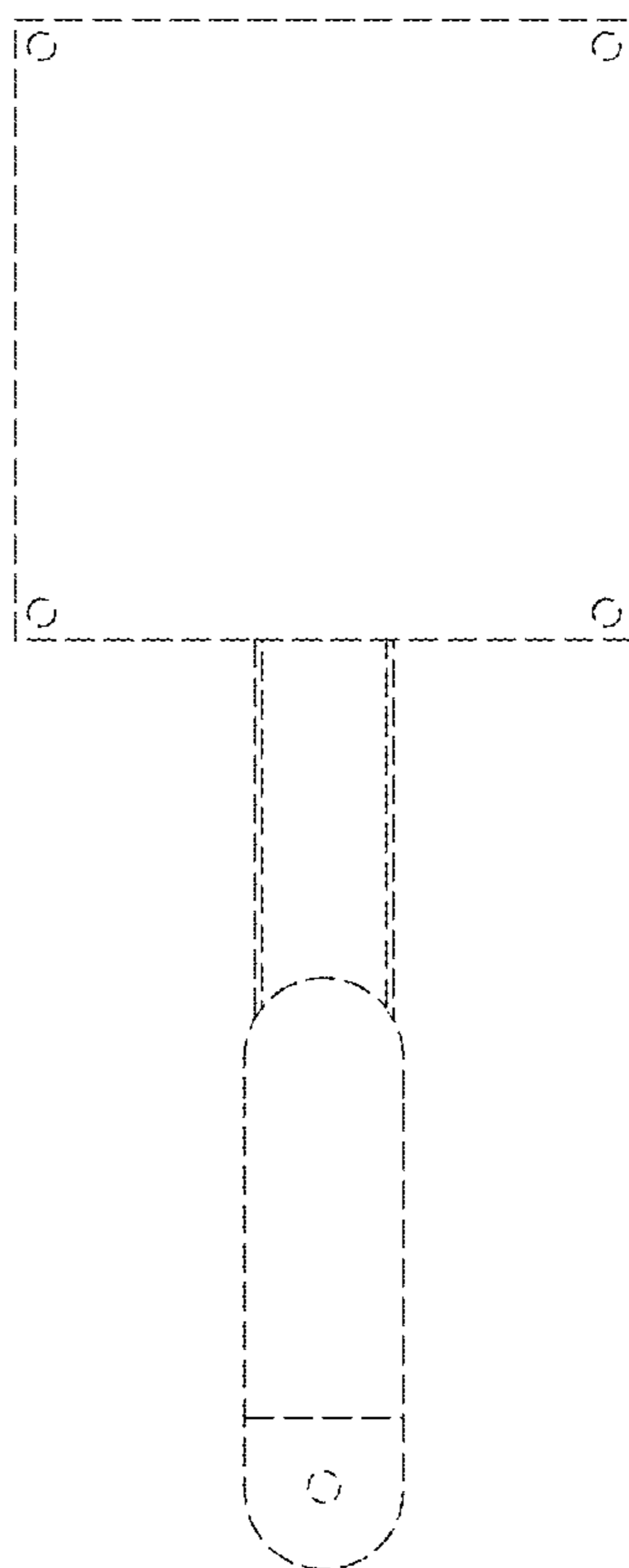


FIG. 7

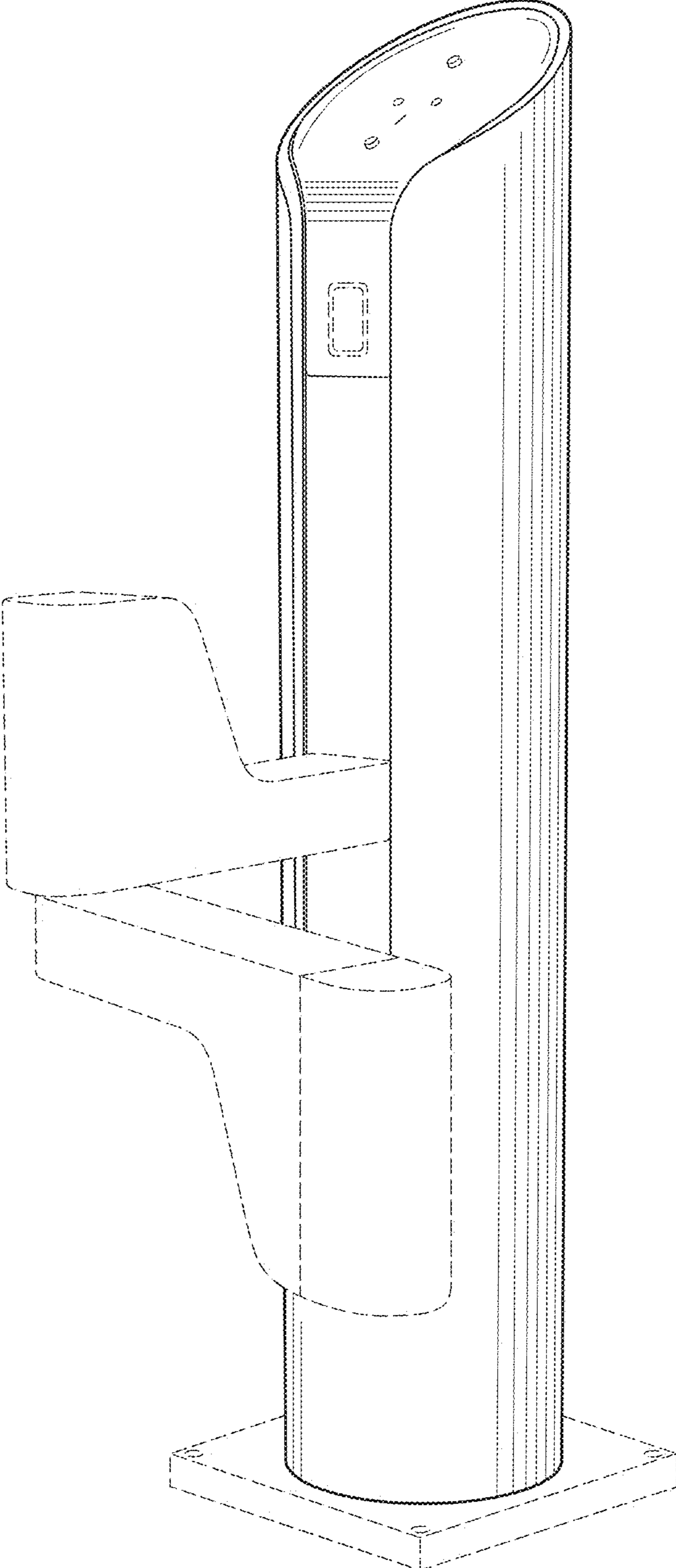


FIG. 8

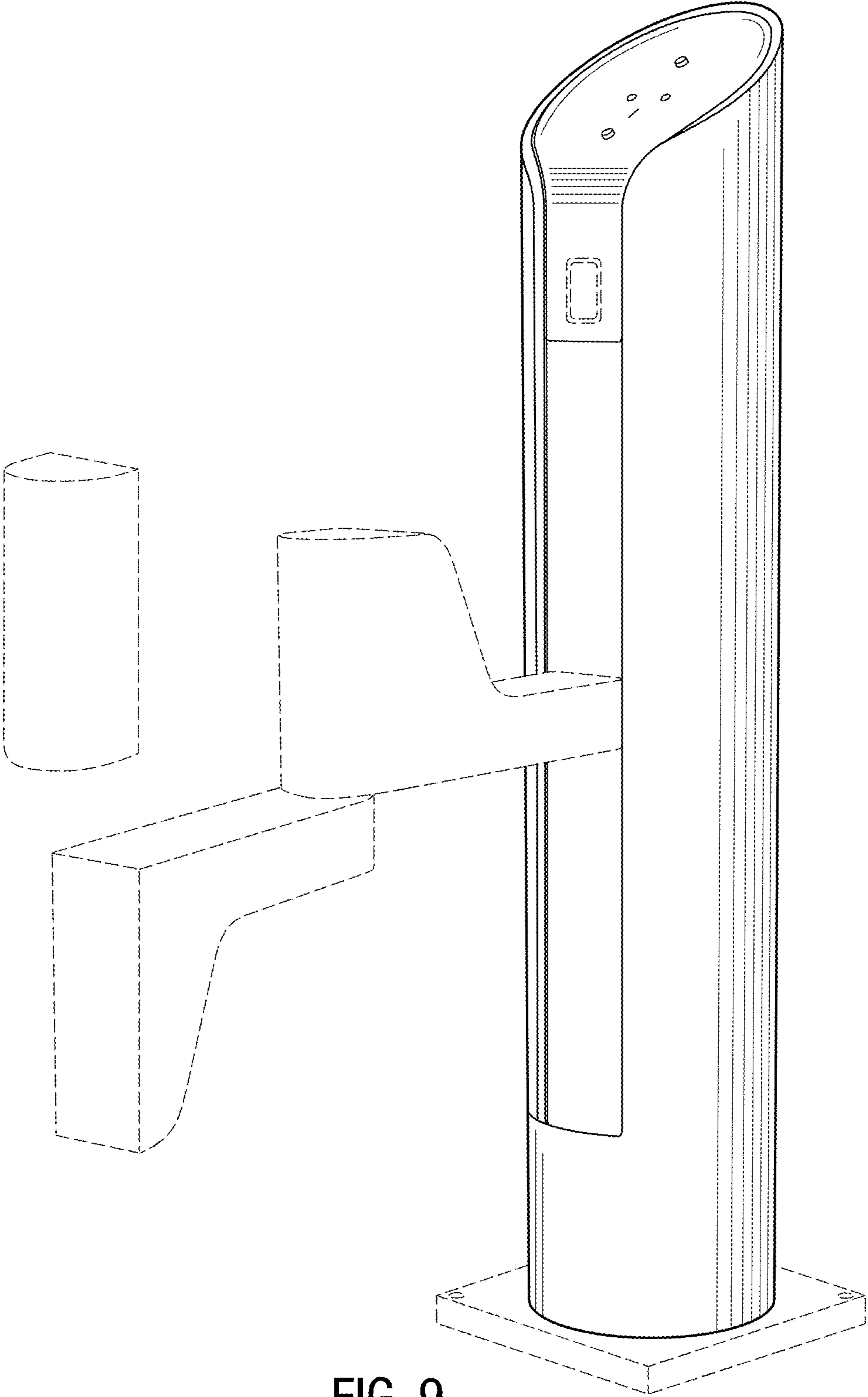


FIG. 9