



US00D824976S

(12) **United States Design Patent** (10) **Patent No.:** **US D824,976 S**  
**Mäkelä** (45) **Date of Patent:** **\*\* Aug. 7, 2018**

(54) **VEHICLE**  
(71) Applicant: **Starship Technologies OÜ**, Tallinn (EE)  
(72) Inventor: **Antti Juhana Mäkelä**, Helsinki (FI)  
(73) Assignee: **STARSHIP TECHNOLOGIES OÜ**, Tallinn (EE)  
(\*\*) Term: **15 Years**  
(21) Appl. No.: **29/560,357**  
(22) Filed: **Apr. 6, 2016**

(30) **Foreign Application Priority Data**  
Oct. 7, 2015 (EM) ..... 002814277-0001  
Nov. 2, 2015 (EM) ..... 002845404-0001

(51) **LOC (11) Cl.** ..... **15-99**  
(52) **U.S. Cl.**  
USPC ..... **D15/199**  
(58) **Field of Classification Search**  
USPC ..... D12/91; D15/199; D21/578; D24/18, D24/28, 34; D34/16  
CPC ..... G05D 1/0022; G05D 2201/0209; G08C 17/00; G08C 2201/40  
See application file for complete search history.

(56) **References Cited**  
U.S. PATENT DOCUMENTS  
3,628,624 A \* 12/1971 Wesener ..... B62D 1/28 180/168  
D262,613 S \* 1/1982 Frees ..... D34/34  
4,496,274 A \* 1/1985 Pipes ..... B60L 11/1877 104/34  
4,621,562 A 11/1986 Carr et al.  
D295,105 S \* 4/1988 Dawson ..... D34/18  
4,932,831 A \* 6/1990 White ..... B25J 5/005 180/2.1

4,962,453 A \* 10/1990 Pong, Jr. .... A47L 11/4011 180/167  
D324,006 S \* 2/1992 Oslapas ..... D12/1  
5,229,913 A 7/1993 Smith  
5,454,129 A \* 10/1995 Kell ..... E04H 4/1654 15/1.7  
6,113,343 A 9/2000 Goldenberg et al.  
6,144,180 A \* 11/2000 Chen ..... B62D 57/028 318/568.1  
D535,805 S \* 1/2007 Stark ..... D21/556  
D555,305 S \* 11/2007 Chun ..... D32/21  
D559,867 S \* 1/2008 Abramson ..... D15/14  
7,581,605 B2 9/2009 Caspi et al.  
7,654,347 B2 2/2010 Fanceschi et al.  
D614,251 S \* 4/2010 Chung ..... D15/199  
D639,351 S \* 6/2011 Newmayer ..... D21/533  
8,292,007 B2 10/2012 De Fazio et al.  
D672,408 S \* 12/2012 Ohler ..... D15/199  
8,392,036 B2 3/2013 Jacobsen et al.  
8,677,876 B2 3/2014 Diaz  
D720,511 S \* 12/2014 Shin ..... D32/21

(Continued)

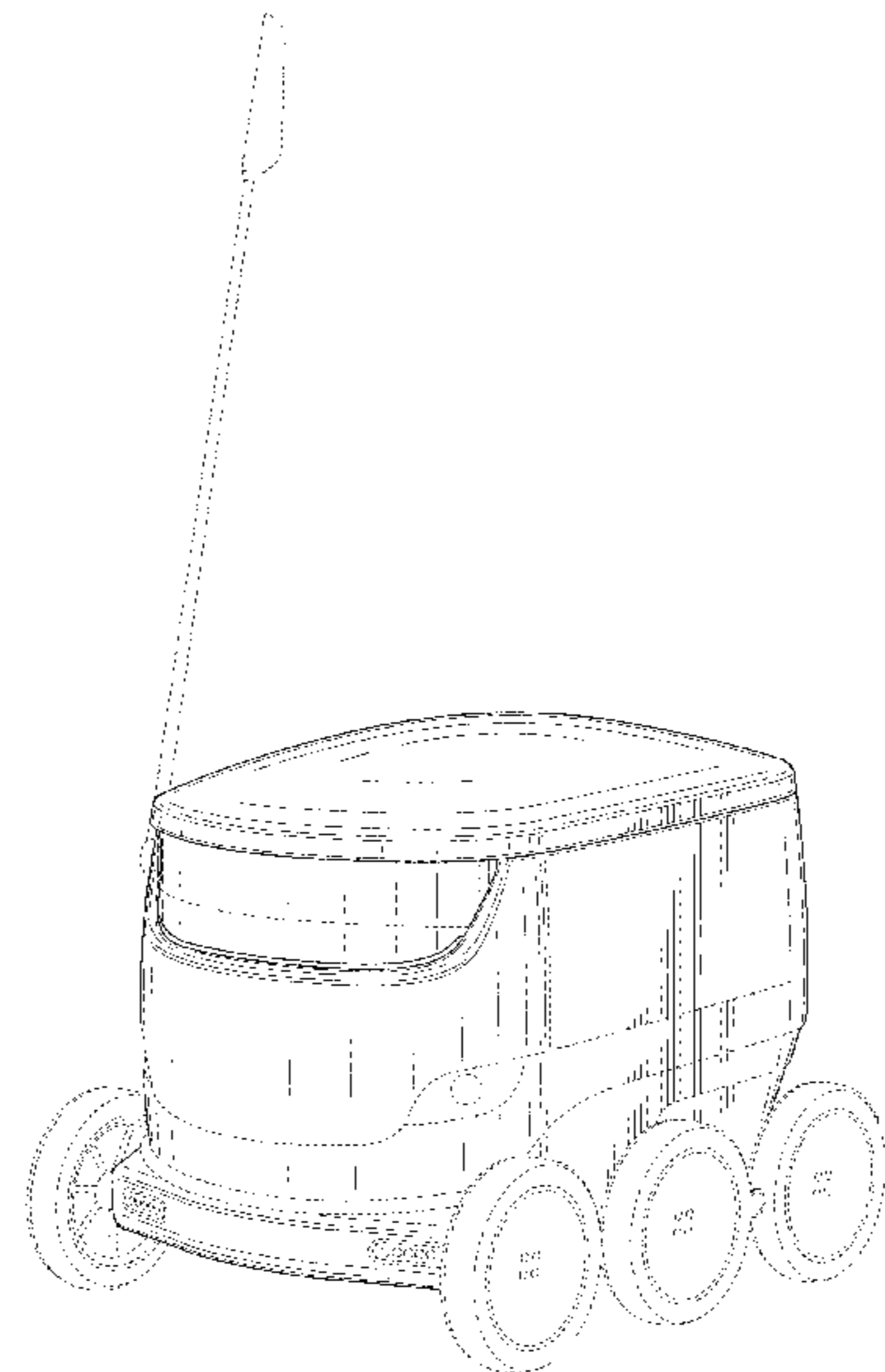
*Primary Examiner* — Patricia A Palasik  
(74) *Attorney, Agent, or Firm* — Cantor Colburn LLP

(57) **CLAIM**  
I claim the ornamental design for a vehicle, as shown and described.

**DESCRIPTION**

FIG. 1 is a rear perspective view of a vehicle illustrating my new design;  
FIG. 2 is a front perspective view thereof;  
FIG. 3 is a front view thereof;  
FIG. 4 is a rear view thereof;  
FIG. 5 is a top view thereof; and,  
FIG. 6 is a side view thereof, the opposite side view being a mirror image hereof.  
Portions in broken lines form no part of the claimed design.

**1 Claim, 6 Drawing Sheets**



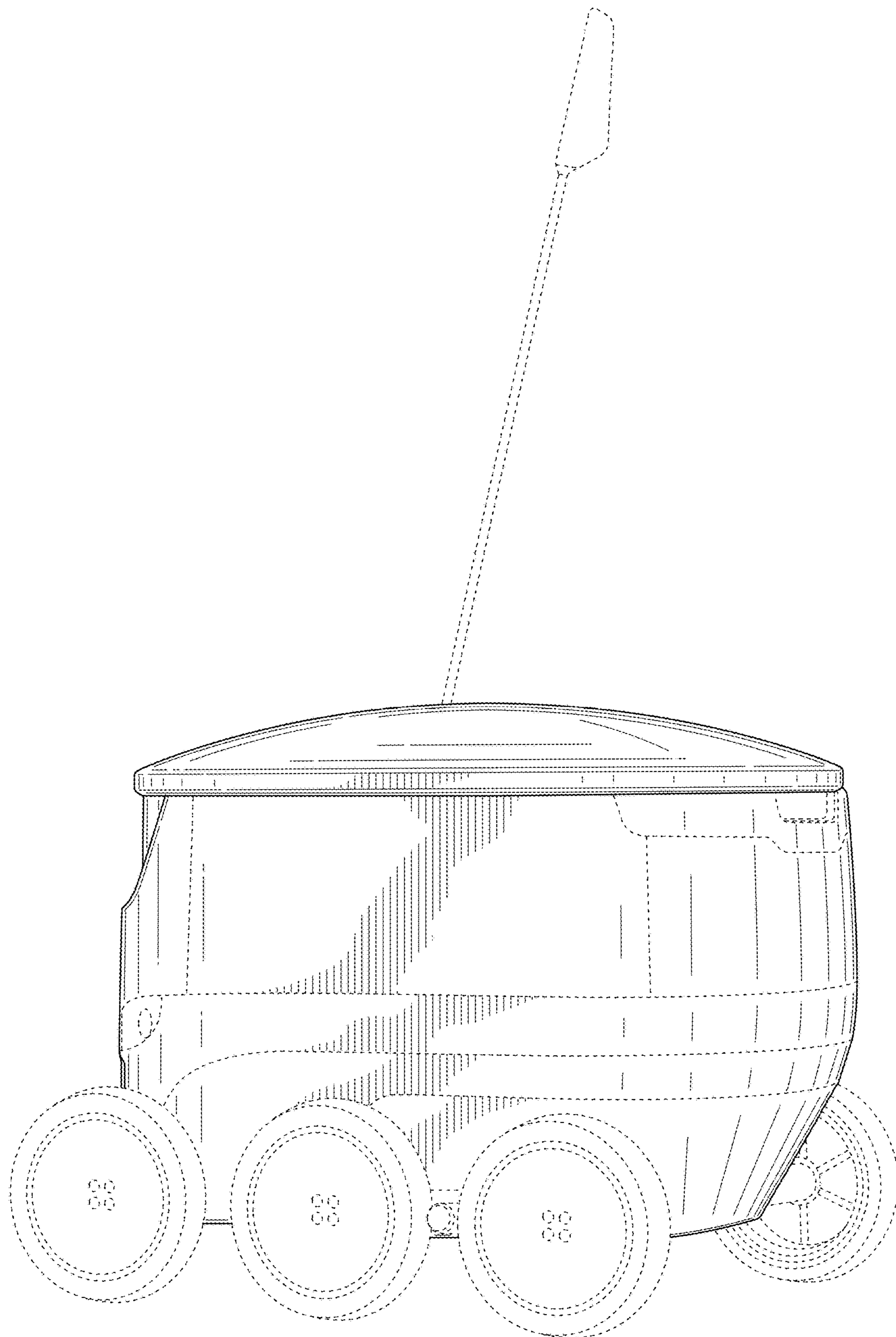
(56)

References Cited

U.S. PATENT DOCUMENTS

D745,144 S \* 12/2015 Aylmer ..... D24/128  
 D756,059 S \* 5/2016 Kang ..... D34/34  
 D770,719 S \* 11/2016 He ..... D34/34  
 D797,829 S \* 9/2017 Lv ..... D14/154  
 D798,007 S \* 9/2017 Wo ..... D32/21  
 2005/0004708 A1\* 1/2005 Goldenberg ..... G08C 17/00  
 700/245  
 2006/0238159 A1\* 10/2006 Jung ..... G05D 1/0225  
 318/587  
 2008/0084284 A1\* 4/2008 Park ..... G05D 1/0227  
 340/436  
 2009/0171504 A1\* 7/2009 Hyung ..... G01C 21/12  
 700/254  
 2009/0217478 A1\* 9/2009 Chong ..... A47L 5/36  
 15/319  
 2010/0243357 A1\* 9/2010 Yim ..... B25J 5/007  
 180/218  
 2011/0054691 A1\* 3/2011 Lee ..... A01M 29/06  
 700/259  
 2011/0132671 A1\* 6/2011 Lee ..... B25J 5/007  
 180/8.3  
 2011/0135189 A1\* 6/2011 Lee ..... B25J 9/1682  
 382/153  
 2012/0260944 A1\* 10/2012 Martins, Jr. .... A47L 5/14  
 134/18  
 2012/0281053 A1\* 11/2012 Kubota ..... B41J 3/4075  
 347/211  
 2013/0269148 A1\* 10/2013 Chiu ..... A47L 5/225  
 15/329  
 2014/0350725 A1\* 11/2014 LaFary ..... G06N 3/008  
 700/253  
 2015/0088359 A1\* 3/2015 Choi ..... G05D 1/0225  
 701/23  
 2017/0157771 A1\* 6/2017 Jung ..... B25J 9/1697

\* cited by examiner



**FIG. 1**

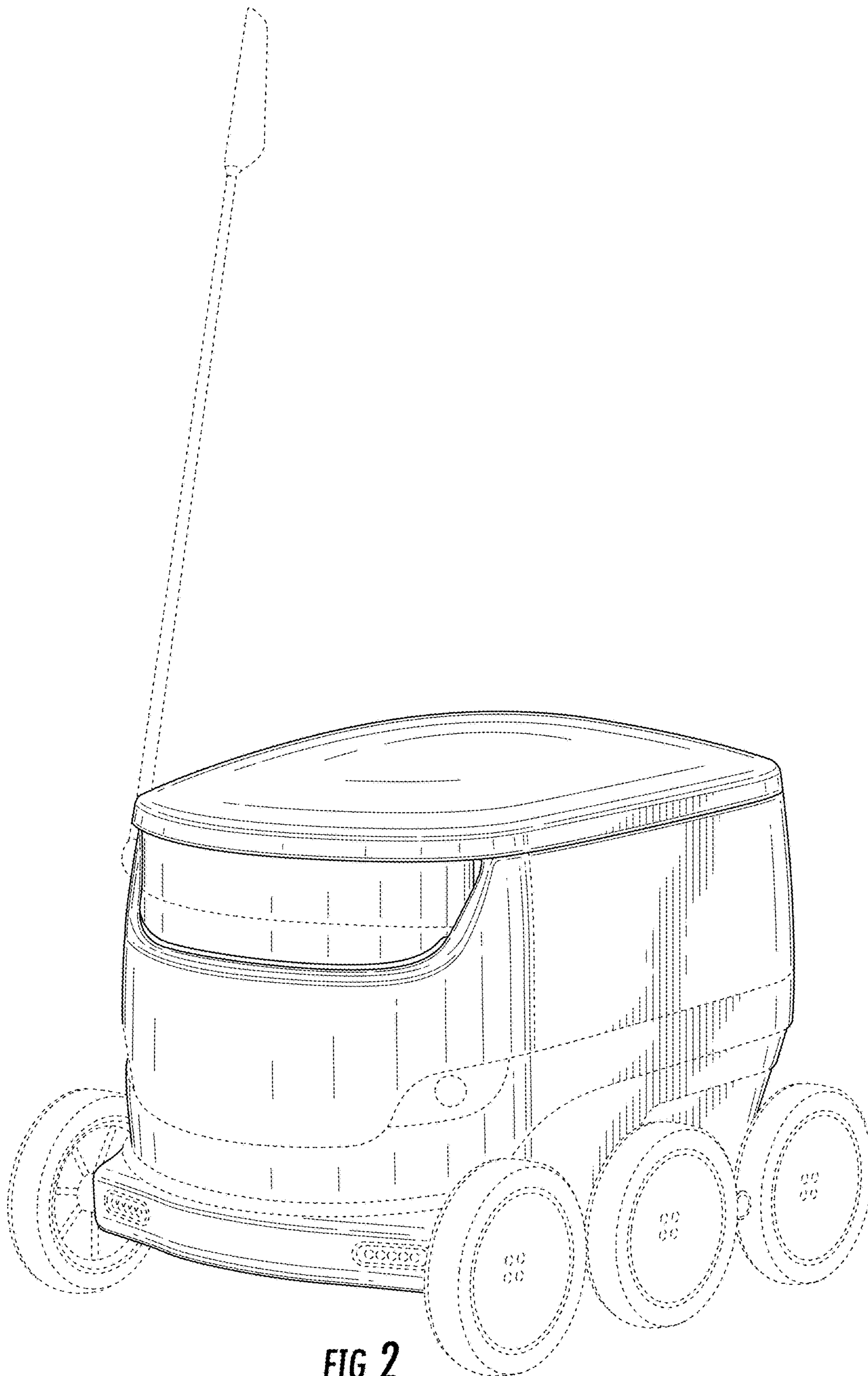


FIG. 2



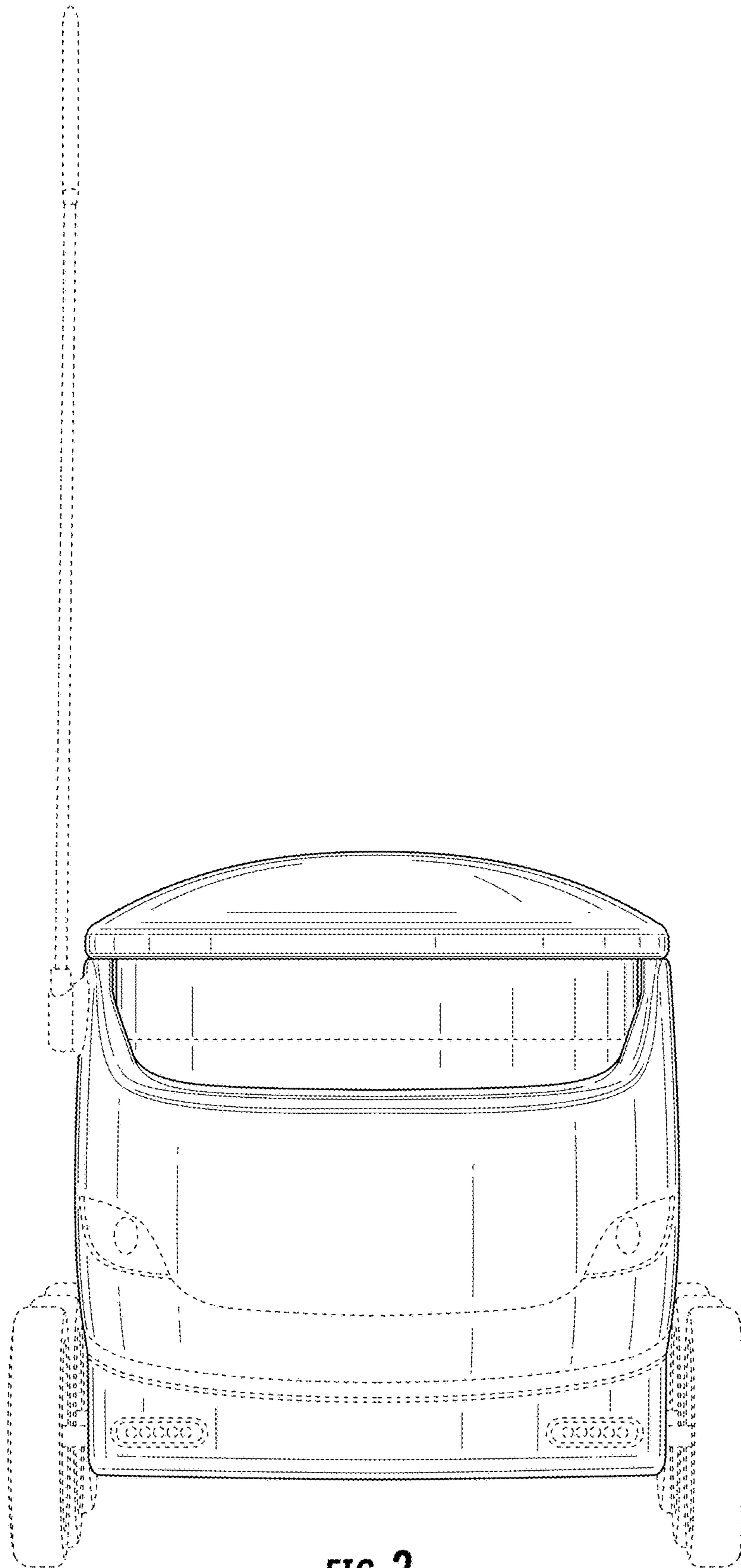


FIG. 3

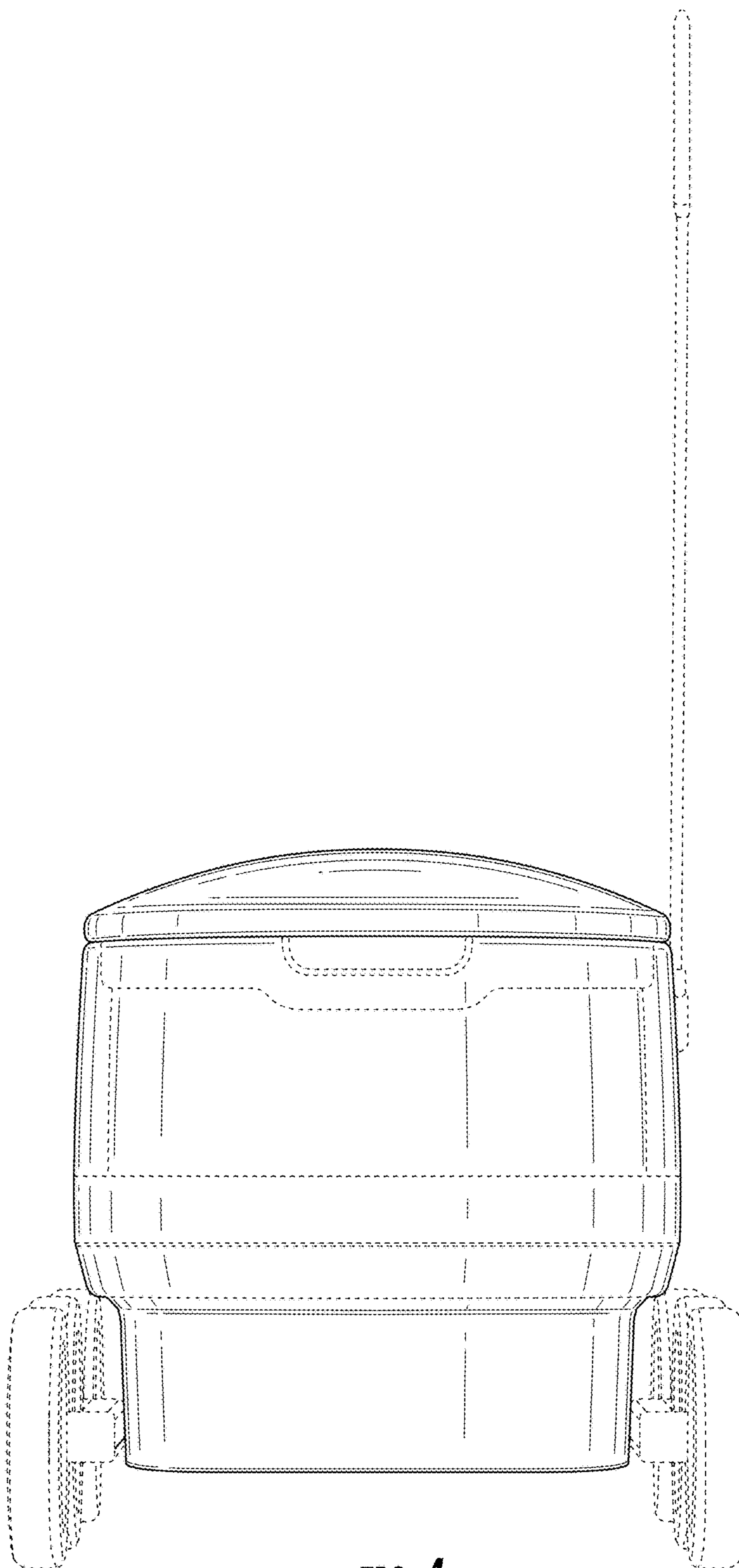
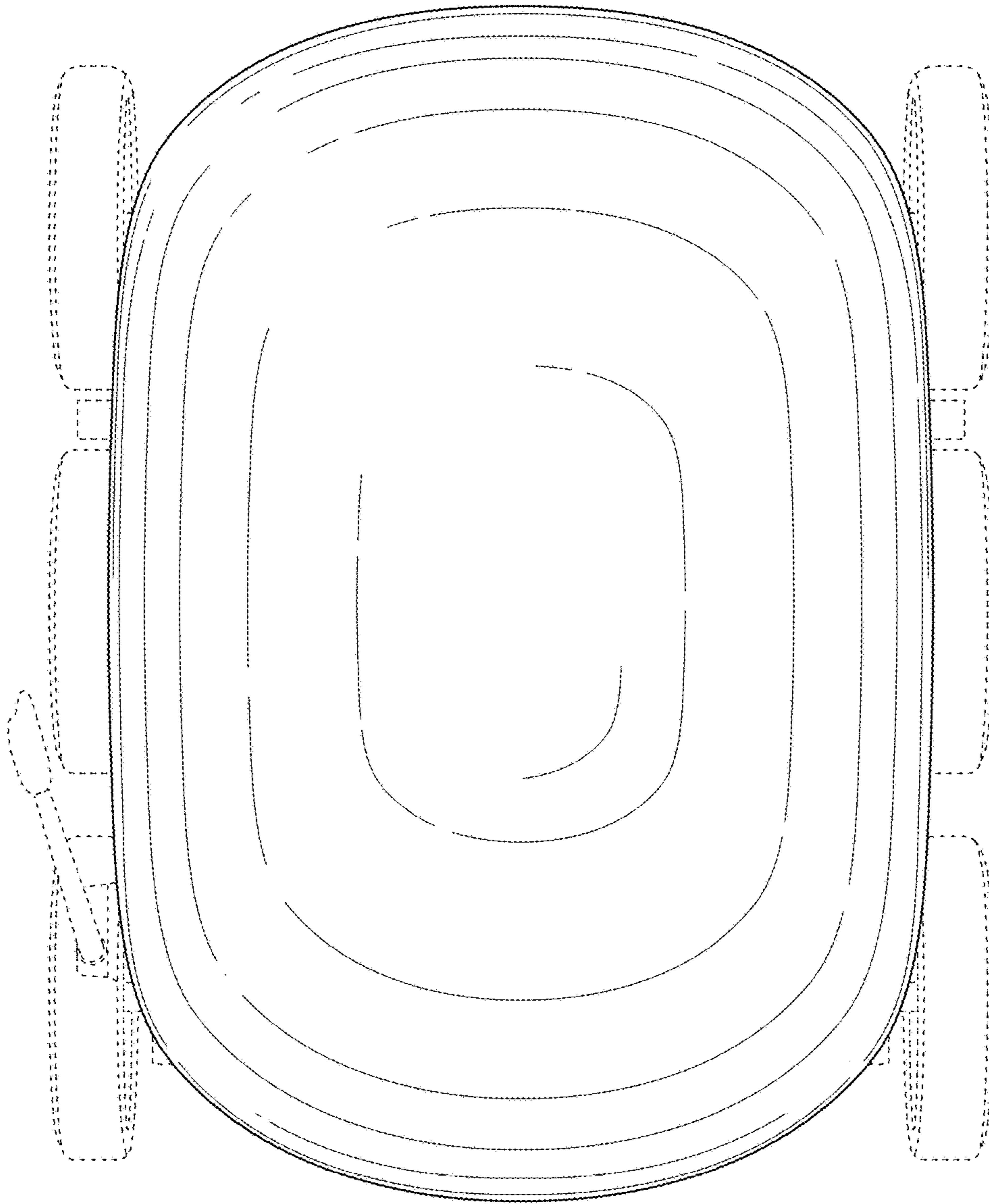


FIG. 4



**FIG. 5**

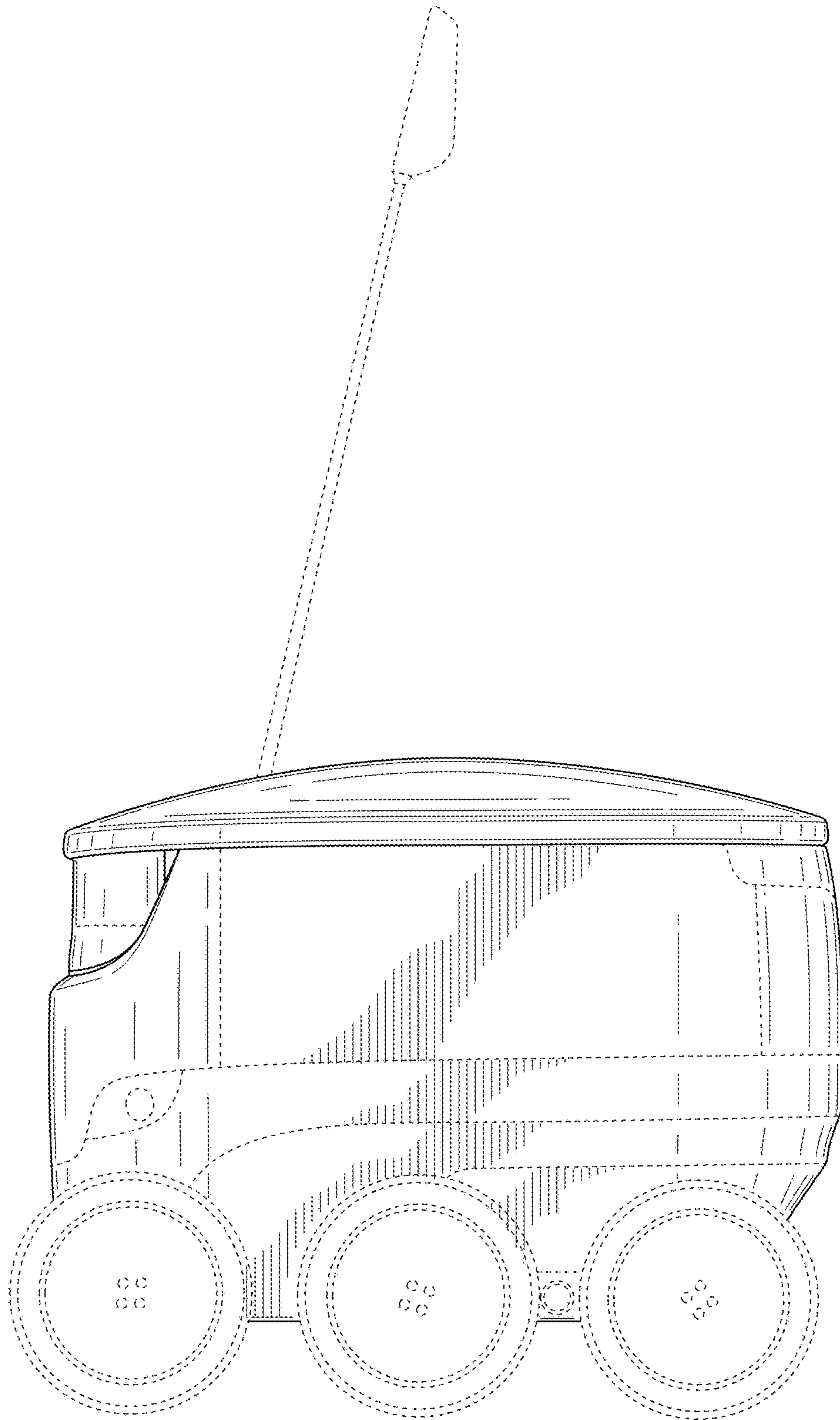


FIG. 6