



US00D824972S

(12) **United States Design Patent** (10) **Patent No.:** **US D824,972 S**
Karol et al. (45) **Date of Patent:** **** Aug. 7, 2018**

(54) **SPROCKET**
(71) Applicant: **DEKA Products Limited Partnership**,
Manchester, NH (US)
(72) Inventors: **Daniel S. Karol**, Southborough, MA
(US); **Yuuki G. Crowley**, Nashua, NH
(US)
(73) Assignee: **DEKA Products Limited Partnership**,
Manchester, NH (US)

D434,351 S 11/2000 Takamori
D435,001 S 12/2000 Takamori
D436,561 S 1/2001 Louden
D442,200 S 5/2001 Koch
D443,880 S 6/2001 Iida
(Continued)

FOREIGN PATENT DOCUMENTS

EP 1669254 A1 * 6/2006 B60R 21/2032
JP 2002021981 A * 1/2002 F16H 7/06
(Continued)

(**) Term: **15 Years**

OTHER PUBLICATIONS

(21) Appl. No.: **29/572,420**
(22) Filed: **Jul. 27, 2016**
(51) **LOC (11) Cl.** **15-99**
(52) **U.S. Cl.**
USPC **D15/148**
(58) **Field of Classification Search**
USPC D12/123, 124, 126, 501, 507; D15/122,
D15/138, 143, 148, 149
CPC F16H 7/06; F16H 7/12
See application file for complete search history.

Tsubaki Sprockets, posted on frasers.com, no posted date given, no production date given, [online], [site visited May 11, 2017], Available from Internet, <URL: <http://www.frasers.com/supplier/tsubaki-of-canada-ltd-16573675102/product-category/chain-sprockets-10647377260>>.*

(Continued)

Primary Examiner — Melanie H Tung
Assistant Examiner — Fritzgerald L Butac
(74) *Attorney, Agent, or Firm* — Kathleen Chapman

(56) **References Cited**

(57) **CLAIM**

U.S. PATENT DOCUMENTS

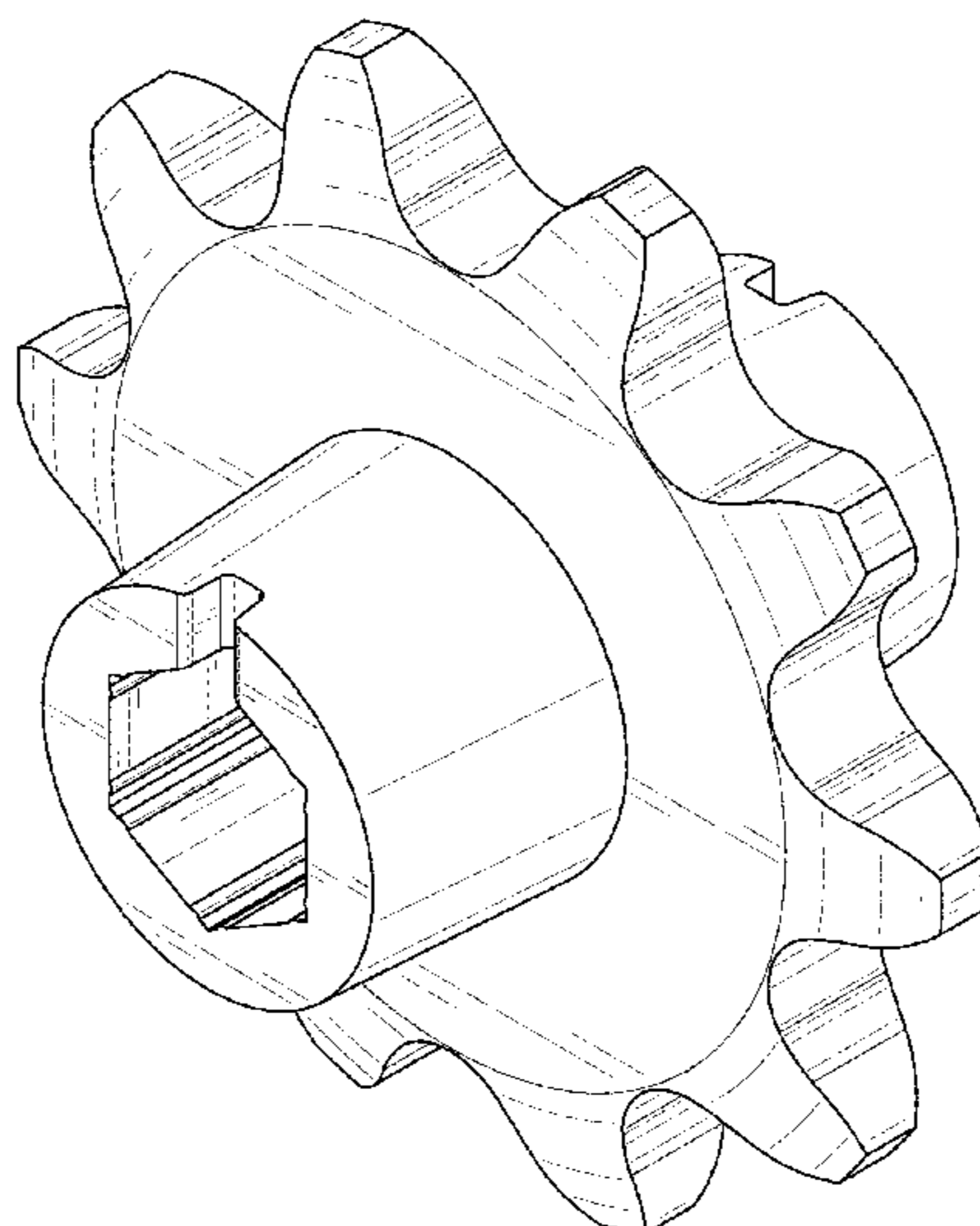
The ornamental design of a sprocket, as shown and described.

- 1,385,144 A 7/1921 Myers
- 2,791,911 A 5/1957 Wasko
- 2,811,819 A 11/1957 Heth
- 2,859,634 A 11/1958 Walter
- 3,176,597 A 4/1965 Seaman
- 3,490,360 A 1/1970 Reynolds
- D253,641 S 12/1979 Tritchka
- 4,545,230 A 10/1985 Jungesjo
- 4,630,498 A 12/1986 Santi
- 5,137,500 A 8/1992 Lhotak
- 5,251,711 A 10/1993 Meyer et al.
- D396,436 S 7/1998 Liska
- D399,222 S 10/1998 Chang
- D402,995 S 12/1998 Hakamata
- D402,996 S 12/1998 Watanabe

DESCRIPTION

FIG. 1 is a front, top, right side perspective view of the sprocket, showing our new design;
FIG. 2 is a front side elevational view thereof;
FIG. 3 is a rear side elevational view thereof;
FIG. 4 is a left side elevational view thereof;
FIG. 5 is a right side elevational view thereof;
FIG. 6 is a top plan view thereof; and,
FIG. 7 is a bottom plan view thereof.

1 Claim, 6 Drawing Sheets



(56)

References Cited

U.S. PATENT DOCUMENTS

6,283,076	B1 *	9/2001	Simpson	F16H 7/06 123/192.1
D451,526	S *	12/2001	Lee	D15/148
D470,861	S	2/2003	Kohno		
D470,862	S	2/2003	Kohno		
D472,843	S	4/2003	Marquez-Pickering		
D473,902	S	4/2003	Panno		
6,722,221	B2	4/2004	Maxwell		
6,910,980	B2	6/2005	Hamilton		
D527,245	S	8/2006	Kelleghan		
D561,793	S	2/2008	Kanemitsu		
7,344,463	B2	3/2008	Reiter		
D585,345	S	1/2009	Maier		
D604,346	S	11/2009	Chiang		
D611,391	S	3/2010	Bourgeois		
7,914,408	B2	3/2011	Young		
D641,611	S	7/2011	Minayoshi		
D647,118	S	10/2011	Parker		
D668,527	S	10/2012	Noumi		
D670,304	S *	11/2012	Shimozaki	D14/483
D670,305	S *	11/2012	Shimozaki	D14/483
D675,130	S	1/2013	Senn		
D683,099	S	5/2013	Wright		
D728,432	S	5/2015	Lin		
9,033,835	B2	5/2015	Blank		
D750,676	S *	3/2016	Brown	D15/148
D765,551	S *	9/2016	Baker, Jr.	D12/123
D774,987	S	12/2016	Miles		
D776,896	S	1/2017	Paitchell		
D781,345	S	3/2017	Pratley		
2008/0176688	A1 *	7/2008	Sakura	F16H 7/06 474/141

FOREIGN PATENT DOCUMENTS

JP		2007309488	A *	11/2007	F16G 13/06
WO		WO 2007041291	A1 *	4/2007	F16H 7/06

OTHER PUBLICATIONS

Roller chain sprockets and platewheels, posted fbchain.com, no posted date given, no production date given, [online], [site visited May 11, 2017], Available from Internet, <URL: <http://www.fbchain.com/sprockets>>.*

Martin Roller Chain Sprocket, posted on amazon.com, earliest review posted Nov. 18, 2012, no production date given, [online], [site visited May 11, 2017], Available from Internet, <URL: https://www.amazon.com/Martin-Roller-Sprocket-Bored-Single/product-reviews/B004JXWH8C/ref=cmcr_getr_d_paging_btm_3?ie=UTF8&reviewerType=avp_only_reviews&sortBy=r>.*

AP Table Chain Gear Assembly, posted on brunswickbowling.com, no posted date given, no production date given, [online], [site visited May 11, 2017], Available from Internet, <URL: <http://www.brunswickbowling.com/products/parts/gs-pinsetter/detail/table-chain-gear-assembly/>>.*

#25 Sprockets—VEX Robotics, <http://www.vexrobotics.com/25-sprockets.html>, Innovation First International, Inc. © 2002-2016.

#35 Sprockets—VEX Robotics, <http://www.vexrobotics.com/35-sprockets.html>, Innovation First International, Inc. © 2002-2016.

1.125" Bearing Bore Gears—VEX Robotics, <http://www.vexrobotics.com/bearing-bore-gears.html>, Innovation First International, Inc. Copyright © 2002-2016.

Andy Mark, Gears Search—Andy Mark Inc. (<http://www.andymark.com>) <http://www.andymark.com/Gears-s/85.htm> © 2017 AndyMark, Inc.

AndyMark, Sprocket Search—AndyMark Inc. (<http://www.andymark.com>) <http://www.andymark.com/Search-s/545.htm?Search=sprocket&submit=> © 2017 AndyMark, Inc.

AndyMark, Wheel Search—MakeBlock Co., Ltd (<http://www.makeblock.com>) <http://www.makeblock.com/index.php?route=product/search&search=wheel> © 2017 AndyMark, Inc.

Ball Shifter & Dog Gears—VEX Robotics, <http://www.vexrobotics.com/shifter-gears.html>, Innovation First International, Inc. © 2002-2016.

Camshaft Sprocket Chain Drive, posted on dlbensinger.com, no posted date given, no production date given, [online], [site visited May 11, 2017], Available from Internet, <URL: https://www.dlbensinger.com/product_info.php?manufacturers_id=10&products_id=796>.

Gear Base Pack—VEX Robotics, <http://www.vexrobotics.com/liq-gear-g.html>, Innovation First International, Inc. Copyright © 2002-2016.

Gearbox Front Sprocket, posted on ebay.co.uk, posted Nov. 29, 2016, no production date given, [online], [site visited May 11, 2017], Available from Internet, <URL: <http://www.ebay.co.uk/itm/NEW-Tag-Metals-MX-Honda-CR250R-88-07-CR500R-CRF450-Gearbox-Front-Sprocket-13T-/252592369100>>.

Kawada Machine Cut Spur Gear, posted on ebay.com, no posted date given, no production date given, [online], [site visited May 18, 2017], Available from Internet, <URL: <http://www.ebay.com/itm/Kawada-Machine-Cut-Spur-Gear-64P-78T-1-10-RC-Cars-Touring-Drift-On-Road-SM6478-/142068863379?trksid=p2385738.m2548.14275>>.

MakeBlock Wheel Search—MakeBlock Co., Ltd (<http://www.makeblock.com>) <http://www.makeblock.com/index.php?route=product/search&search=wheel> © 2013-2017 Makeblock Co., Ltd.

Makeblock, Gears Search—Makeblock Co., Ltd. (<http://www.makeblock.com>) http://www.makeblock.com/index.php?route=product/category&path=69_99 ©2013-2017 Makeblock Co., Ltd.

Makeblock, Sprocket Search—Makeblock Co., Ltd. (<http://www.makeblock.com>) <http://learn.makeblock.com/en/mechanical-parts/#Sprockets> ©2013-2017 Makeblock Co., Ltd.

Modern Robotics Wheel Search—Modern Robotics Inc. (<https://www.modernroboticsinc.com>) <http://www.modernroboticsinc.com/search?q=wheel> © 2017 Modern Robotics Inc.

Modern Robotics, Gears Search—Modern Robotics, Inc. (<http://www.modernroboticsinc.com>) <http://www.modernroboticsinc.com/search?q=gear> © 2017 Modern Robotics, Inc.

Pitsco Tetrax, Gears Search—Tetrax Robotics (<http://www.tetraxrobotics.com>) <http://www.tetraxrobotics.com/Search/gears?st=0> © 2017 Pitsco, Inc.

Robinson Racing Spur Gear, 72T; NRU, TMX RRP8572, posted on amazon.com, earliest reviewed Jan. 19, 2015, no production date given, [online], [site visited May 18, 2017], Available from Internet, <URL: https://www.amazon.com/Robinson-Racing-Steel-Spur-Gear/dp/B0006N6N7K/ref=sr_1_9?ie=UTF8&qid=1495154175&sr=8-9&keywords=spur+gear>.

Servocity Robotics, Wheel Search—Servocity Robotics (<https://www.servocity.com>) <https://www.servocity.com/catalogsearch/result?q=wheel> © 1999-2016 Robotzone, LLC, ServoCity® is a registered trademark of Robotzone, LLC.

Servocity Robotics, Gears Search—Servocity Robotics (<https://www.servocity.com>) <https://www.servocity.com/catalogsearch/result?q=Gears> © 1999-2016 Robotzone, LLC—ServoCity® is a registered trademark of Robotzone, LLC.

Servocity Robotics, Sprocket Search—Servocity Robotics (<https://www.servocity.com>) <https://www.servocity.com/catalogsearch/result?q=Sprocket> © 1999-2016 Robotzone, LLC—ServoCity® is a registered trademark of Robotzone, LLC.

SparkFun Electronics, Sprocket Search—SparkFun Electronics (<https://www.sparkfun.com>) <https://www.sparkfun.com/search/results?term=sprocket> (Publication date unknown but assumed to be prior to the filing date).

SparkFun Electronics, Gears Search—SparkFun Electronics (<https://www.sparkfun.com>) <https://www.sparkfun.com/search/results?term=gears> (Publication date unknown but assumed to be prior to filing date.).

SparkFun Electronics, Wheel Search—SparkFun Electronics (<https://www.sparkfun.com>) <https://www.sparkfun.com/search/results?term=wheel> (Publication date unknown but assumed to be prior to the filing date.).

(56)

References Cited

OTHER PUBLICATIONS

Sprocket Hub Gear Guard Kit, posted on ebay.com, no posted date given, no production date given, [online], [site visited May 11, 2017], Available from Internet, <URL: <http://www.ebay.com/itm/191673594110?rmvSB=true>>.

Sprockets & Chain—VEX Robotics, <http://vexrobotics.com/sprockets-and-chain.html>, Innovation First International, Inc. © 2002-2016.

Sprockets & Chain Kit—VEX Wiki, https://www.vexrobotics.com/wiki/Sprocket_and_Chain_Kit, Innovation First International, Inc. © 2002-2016.

Tetrix Pitsco Wheel Search—Pitsco Inc. (<http://www.servocity.com>) <http://www.tetrixrobotics.com/Search/wheel?st=0> © 2017 Pitsco, Inc.

United 22mm Spline Drive Metro Sprocket, posted on acebmx.com, posted Sep. 17, 2013, no production date given, [online], [site visited May 11, 2017], Available from Internet, <URL: <http://www.acebmx.com/sprockets-bmx-c-60/united-22mm-spline-drive-metro-sprocket-p-3633.html>>.

Vex Pro Gears—VEX Robotics (<https://www.vexrobotics.com>) <https://www.vexrobotics.com/vexpro/motion/vexpro-gears> © 2002-2017, VEX Robotics, Inc. is a subsidiary of Innovation First International, Inc.

Vex Robotics Gears Search—VEX Robotics (<https://www.vexrobotics.com>) <https://www.vexrobotics.com/catalogsearch/result/?q=gears> ©2002-2017. VEX Robotics, Inc. is a subsidiary of Innovation First International, Inc.

Vex Robotics Sprocket Search—Vex Robotics, Inc. (<https://www.vexrobotics.com>) <https://www.vexrobotics.com/catalogsearch/result/?q=sprocket>.

Vex Robotics Wheel Search—Vex Robotics (<https://www.vexrobotics.com>) <https://www.vexrobotics.com/catalogsearch/result/?q=wheel> © 2002-2017. VEX Robotics, Inc. is a subsidiary of Innovation First International, Inc.

Suzuki TS1000 1987 Gearbox Front Sprocket, no posted date given, no production date given, [online], [site visited Sep. 22, 2017], Available from Internet, <URL: <http://www.ebay.co.uk/itm/Suzuki-TS1000-1987-Gearbox-Front-Sprocket-126314-/122307584706?epid=750887205&hash=item1c7a19a2c2:g:bGIAAOSwopRYdg8Z>>.

* cited by examiner

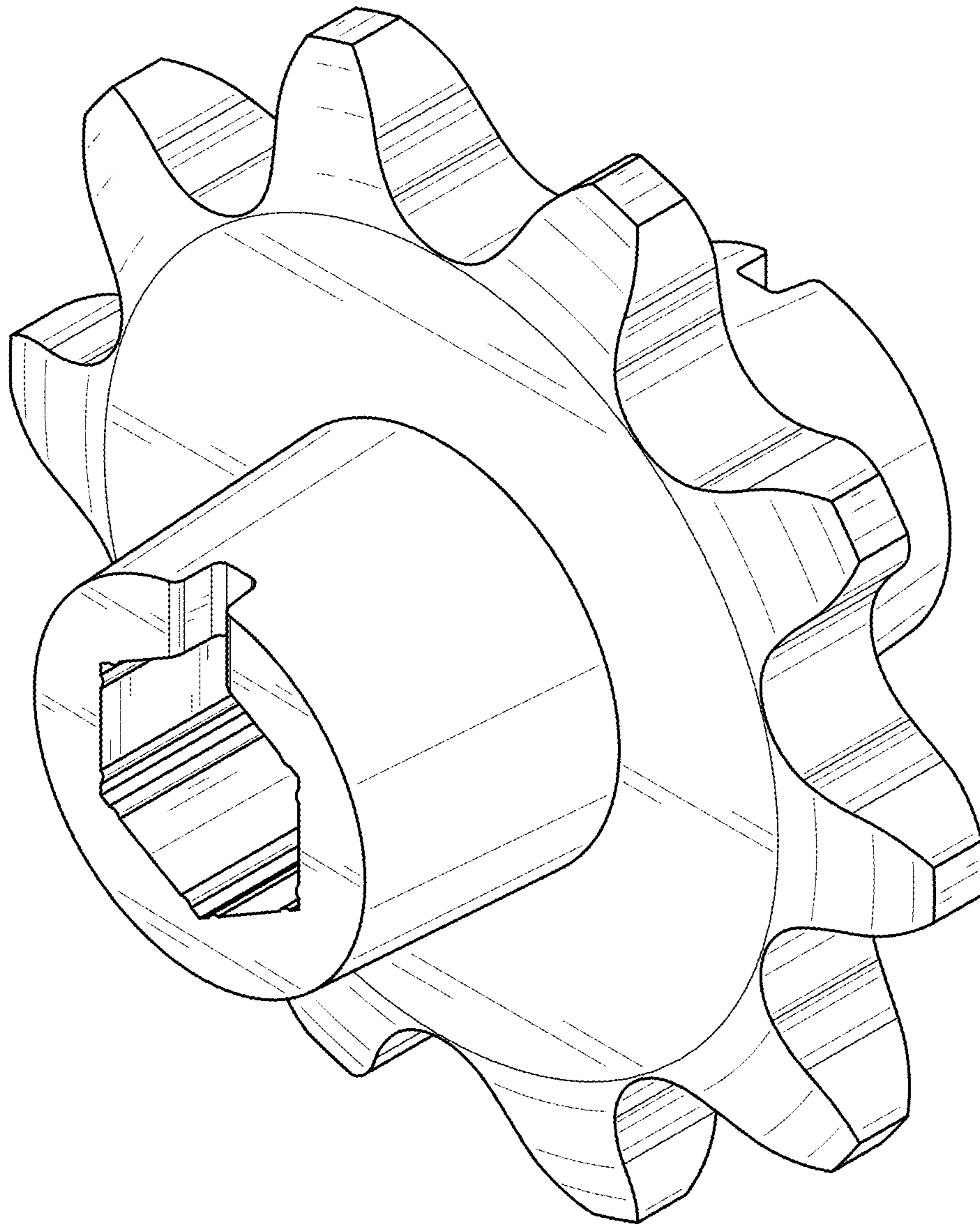


FIG. 1

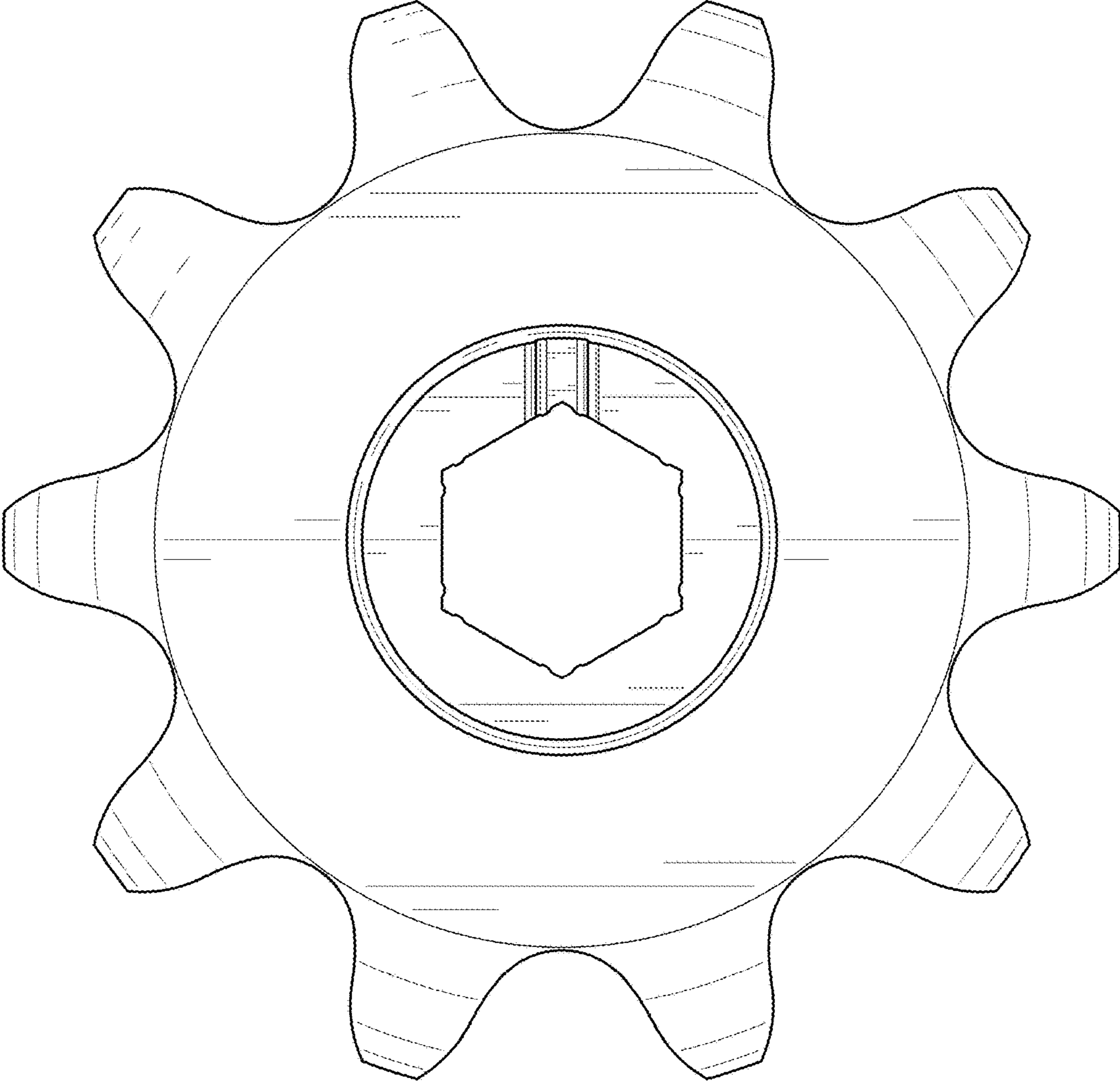


FIG. 2

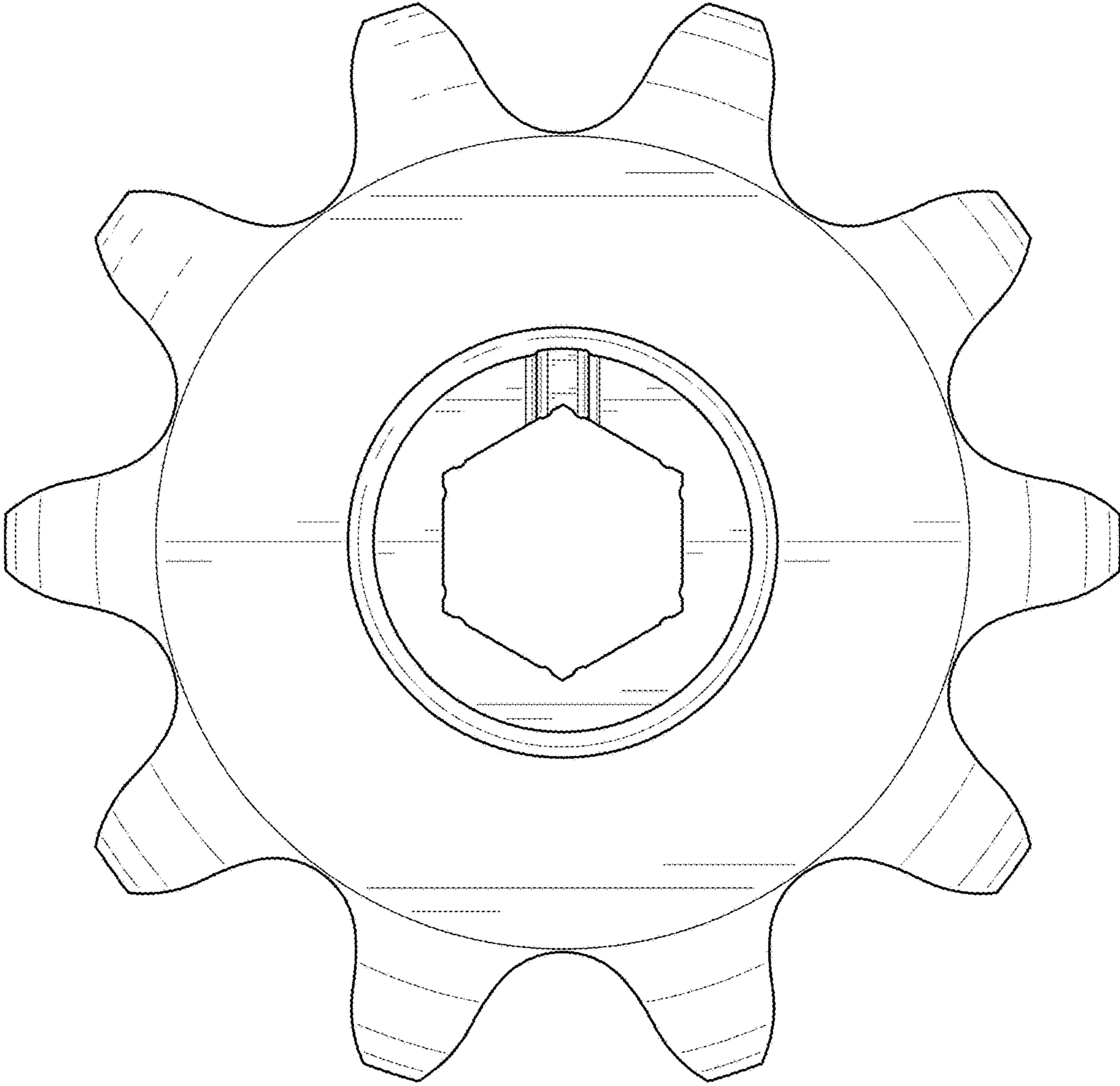


FIG. 3

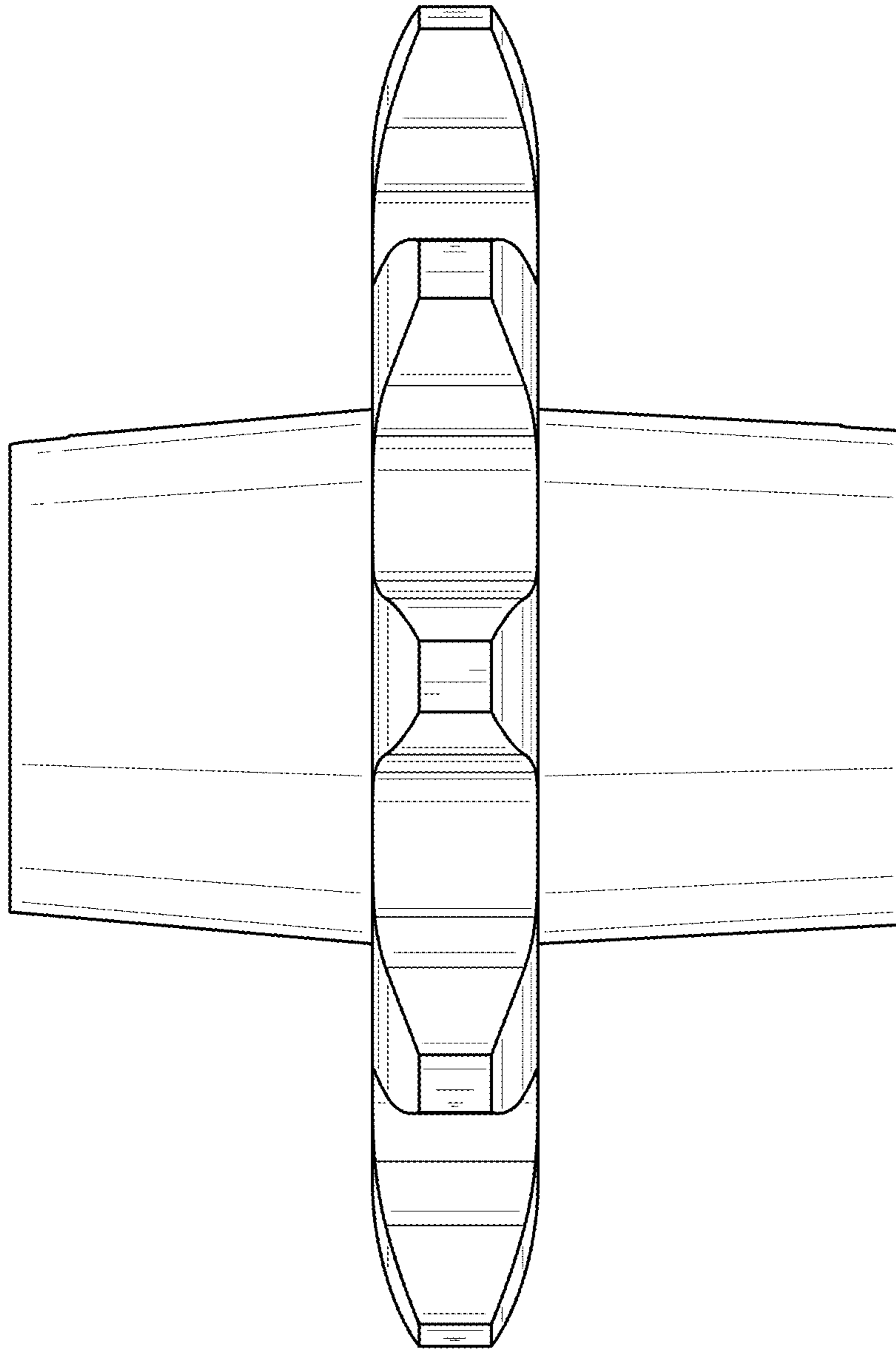


FIG. 4

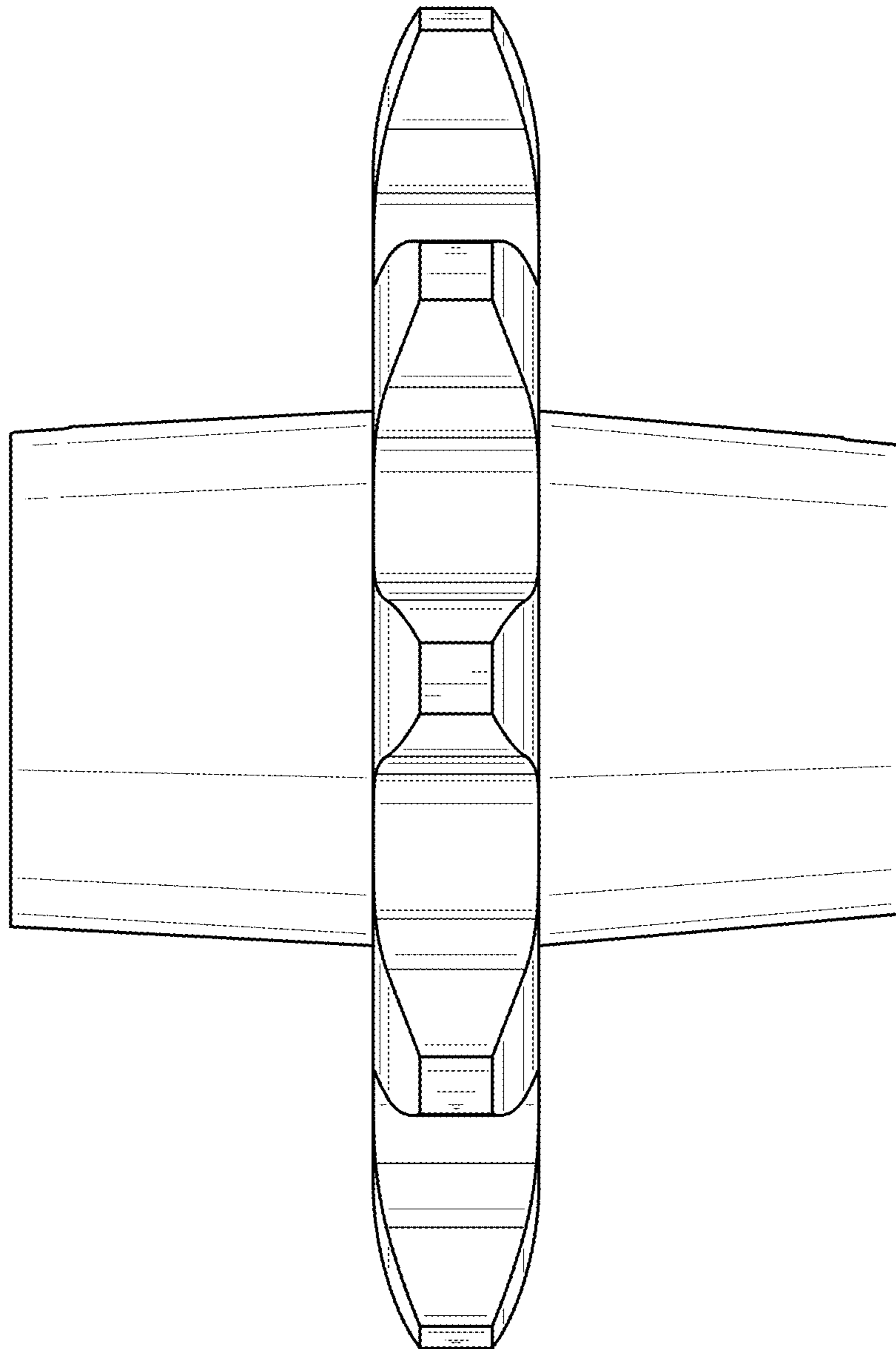


FIG. 5

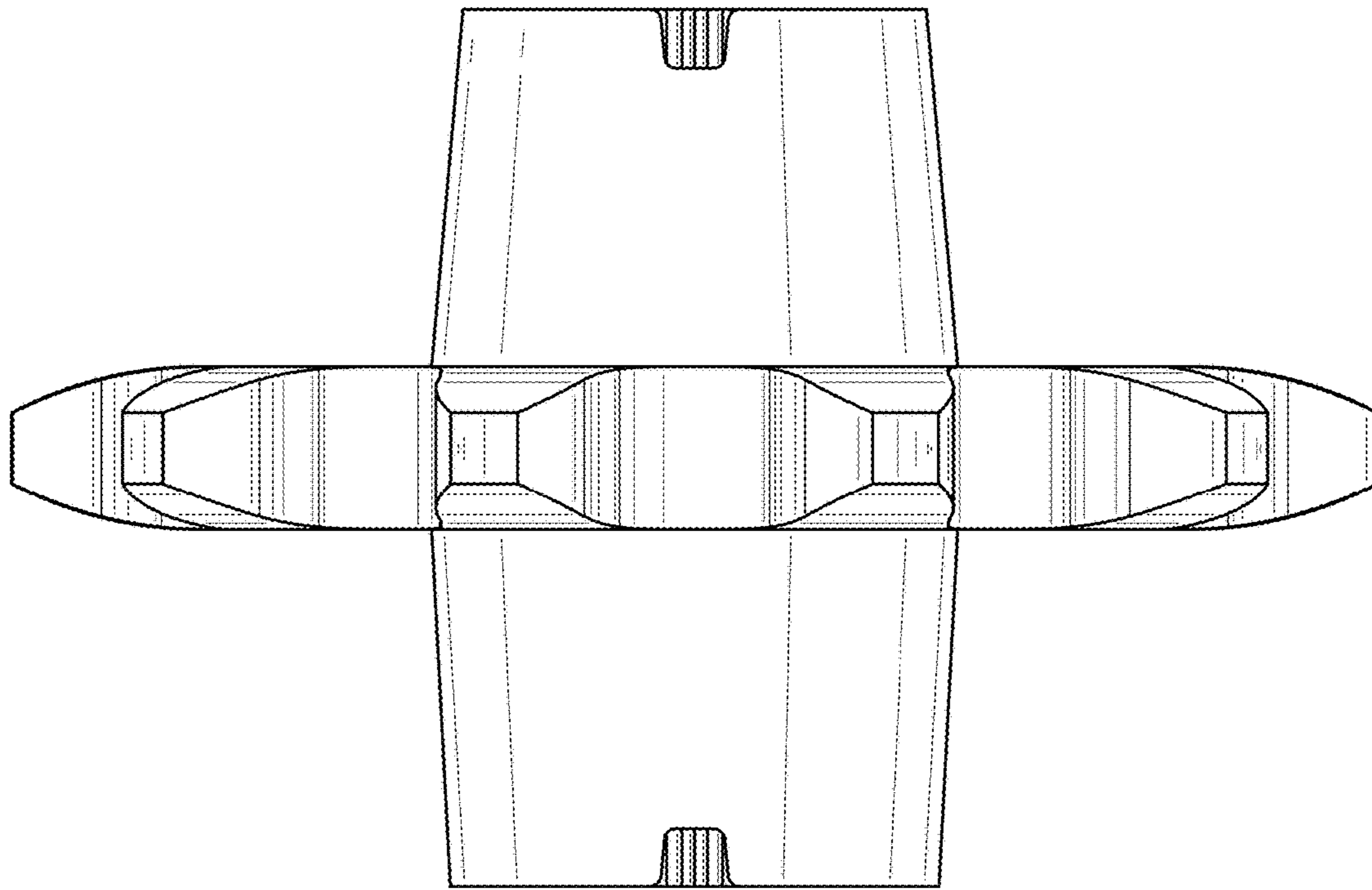


FIG. 6

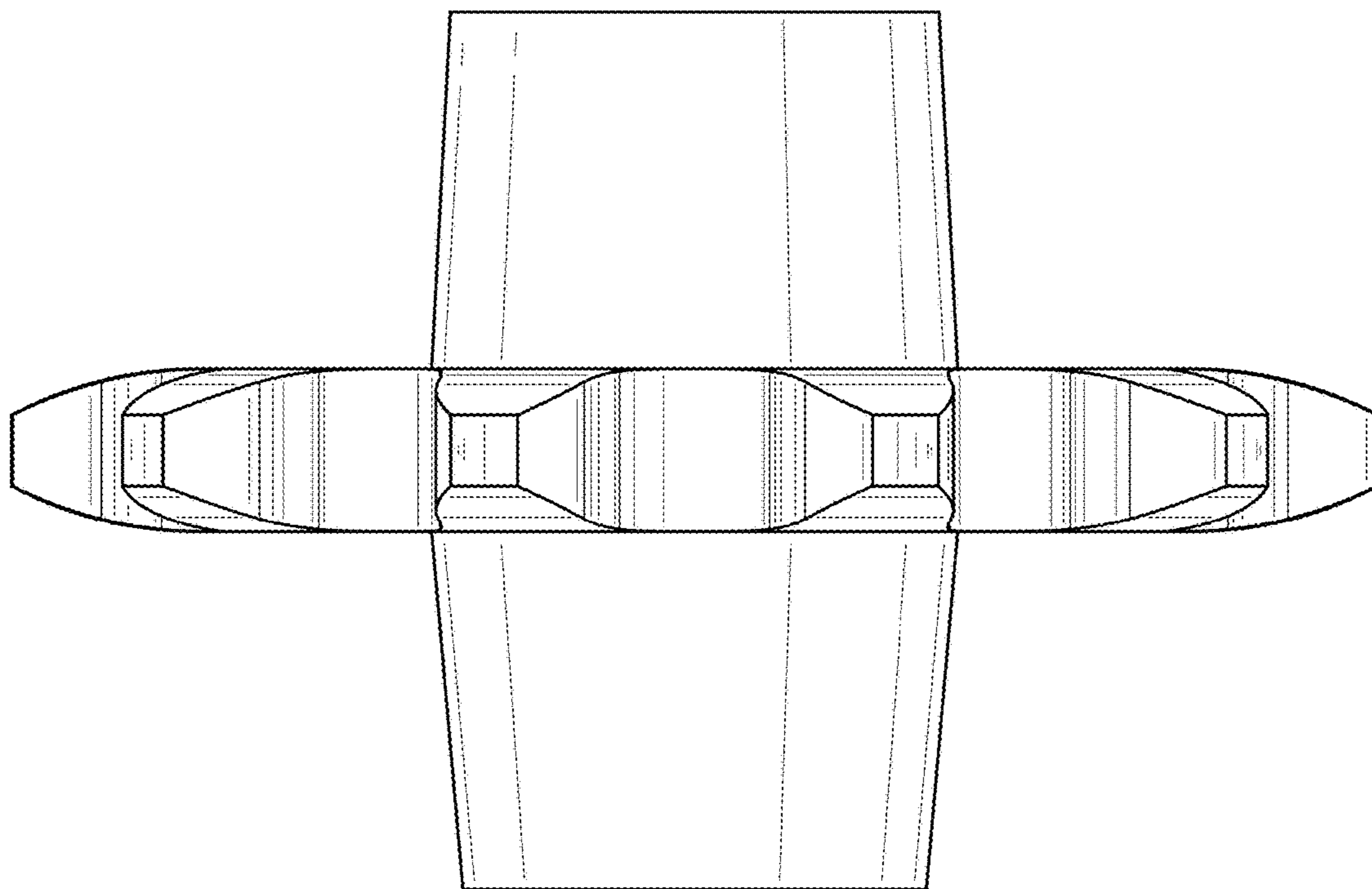


FIG. 7