



US00D824968S

(12) **United States Design Patent** (10) **Patent No.:** **US D824,968 S**  
**Chastine et al.** (45) **Date of Patent:** **\*\* Aug. 7, 2018**

- (54) **HOT MELT DISPENSER**
- (71) Applicant: **NORDSON CORPORATION**,  
Westlake, OH (US)
- (72) Inventors: **Christopher R. Chastine**,  
Lawrenceville, GA (US); **Leonard J. Lanier, II**,  
Duluth, GA (US); **Justin Clark**,  
Suwanee, GA (US); **Paula Ruse**,  
Lawrenceville, GA (US)
- (73) Assignee: **Nordson Corporation**,  
Westlake, OH (US)
- (\*\*) Term: **15 Years**
- (21) Appl. No.: **29/582,731**
- (22) Filed: **Oct. 30, 2016**
- (51) **LOC (11) Cl.** ..... **15-09**
- (52) **U.S. Cl.**  
USPC ..... **D15/144**
- (58) **Field of Classification Search**  
USPC ..... D15/144, 144.1, 144.2  
CPC ..... F24H 8/006; Y02B 30/106  
See application file for complete search history.

- (56) **References Cited**  
U.S. PATENT DOCUMENTS
- 4,227,069 A \* 10/1980 Gardner ..... B29B 13/022  
219/214
- 4,659,016 A \* 4/1987 Faulkner, III ..... B05C 5/001  
118/411
- 4,790,455 A \* 12/1988 Dieringer ..... B29B 13/022  
126/343.5 R
- D302,433 S \* 7/1989 Niedrig ..... D15/144
- 5,169,071 A \* 12/1992 Boger ..... B05B 7/0861  
239/296
- D354,295 S \* 1/1995 Walsh ..... D15/144.2
- D354,296 S \* 1/1995 Walsh ..... D15/144.2
- D365,830 S \* 1/1996 Hubbard ..... D15/144.2

- 5,556,471 A \* 9/1996 Boccagno ..... B05C 5/0254  
118/300
- D401,600 S \* 11/1998 Byerly ..... D15/144.2
- 5,887,757 A \* 3/1999 Jenkins ..... B05B 15/066  
222/146.2
- D425,530 S \* 5/2000 Lafitte ..... D15/144
- D429,263 S \* 8/2000 Auber ..... D15/144.2
- D451,525 S \* 12/2001 Ganzer ..... D15/144
- D452,516 S \* 12/2001 Zook ..... D15/144.2
- D456,427 S \* 4/2002 Gressett, Jr. .... D15/144
- D466,140 S \* 11/2002 Huey ..... D15/144.2
- D473,883 S \* 4/2003 Huey ..... D15/144.2
- D474,214 S \* 5/2003 Huey ..... D15/144.2

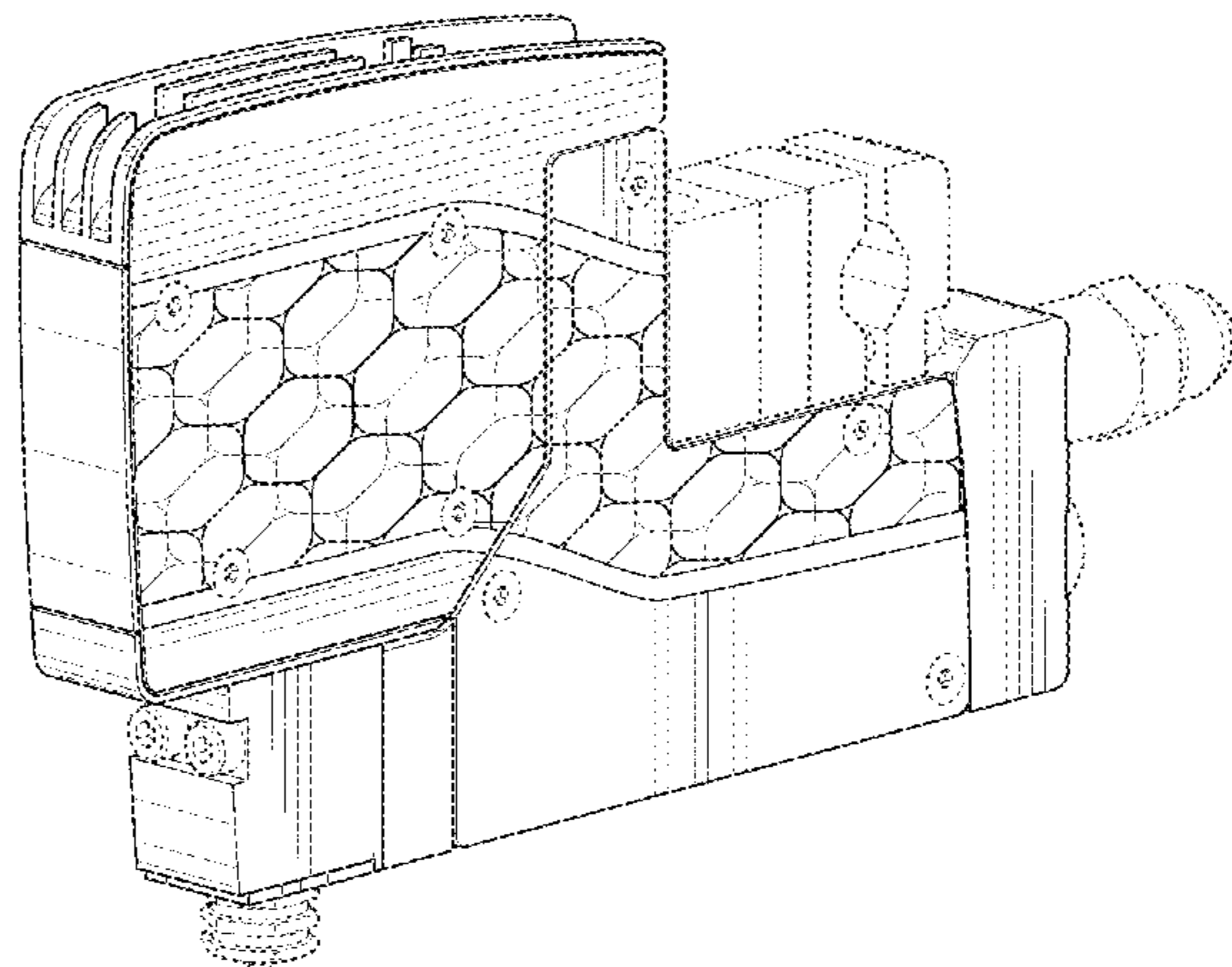
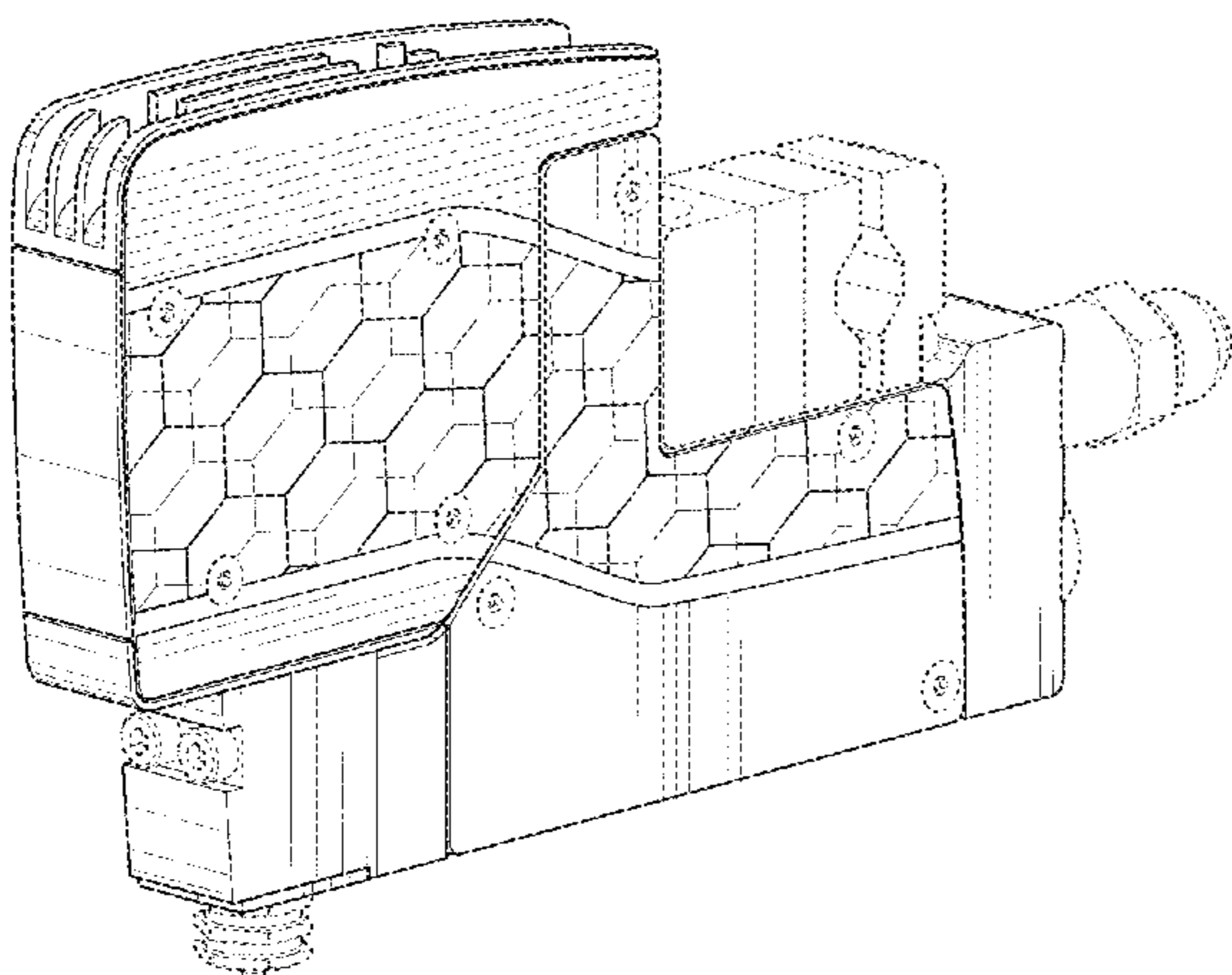
(Continued)

*Primary Examiner* — Patricia A Palasik  
(74) *Attorney, Agent, or Firm* — Baker & Hostetler LLP

(57) **CLAIM**  
The ornamental design for a hot melt dispenser, as shown and described.

**DESCRIPTION**  
FIG. 1 is a top perspective view of a hot melt dispenser according to a first embodiment; FIG. 2 is a left side view thereof; FIG. 3 is a right side view thereof; FIG. 4 is a front end view thereof; FIG. 5 is a rear end view thereof; FIG. 6 is a top end view thereof; and FIG. 7 is a bottom end view thereof. FIG. 8 is a top perspective view of a hot melt dispenser according to a second embodiment; FIG. 9 is a left side view thereof; FIG. 10 is a right side view thereof; FIG. 11 is a front end view thereof; FIG. 12 is a rear end view thereof; FIG. 13 is a top end view thereof; and FIG. 14 is a bottom end view thereof. The broken lines and the areas inside the broken lines depict unclaimed environmental subject matter.

**1 Claim, 10 Drawing Sheets**



(56)

**References Cited**

U.S. PATENT DOCUMENTS

D496,671 S *	9/2004	Nanto .....	D15/144.2
D507,287 S *	7/2005	Saidman .....	D15/144
D521,035 S *	5/2006	de Leeuw .....	D15/144
D577,046 S *	9/2008	Ganzer .....	D15/144.1
D641,767 S *	7/2011	Juergens .....	D15/144
D643,054 S *	8/2011	Sennrich .....	B05C 5/001 D15/144
D673,594 S *	1/2013	Ganzer .....	D15/144.1
2007/0204462 A1 *	9/2007	Finnegan .....	B29C 45/14336 29/896.2

\* cited by examiner

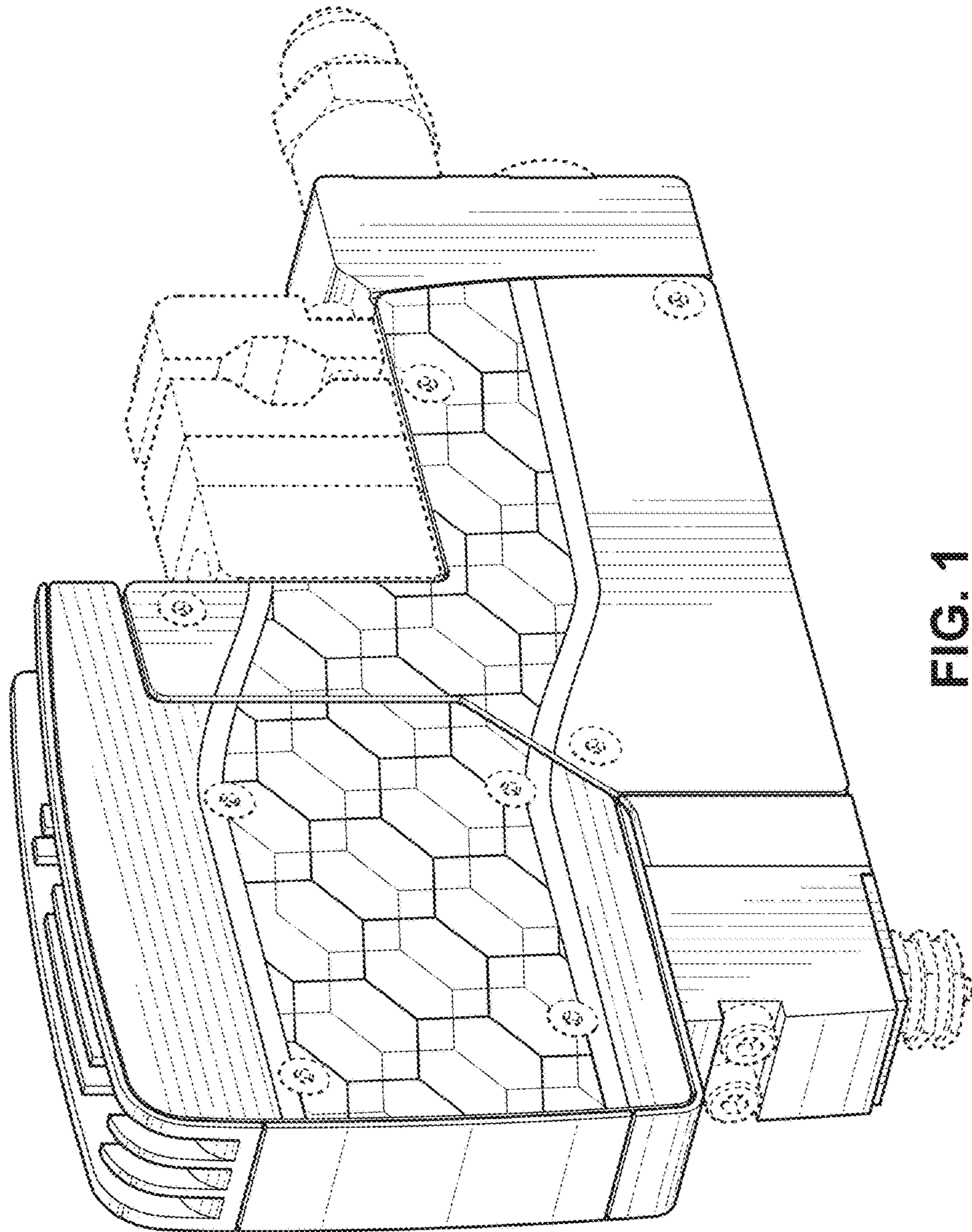


FIG. 1

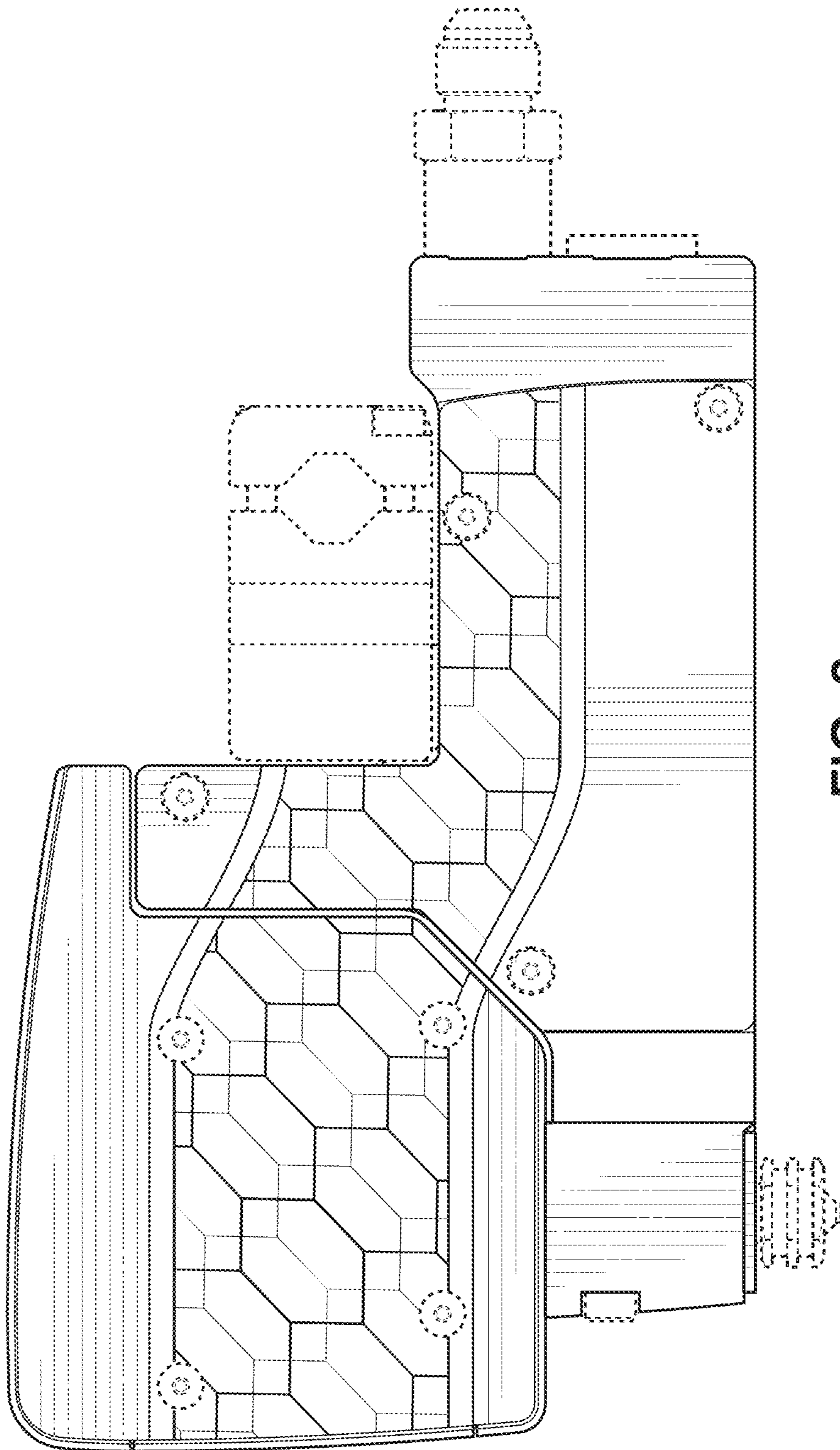


FIG. 2

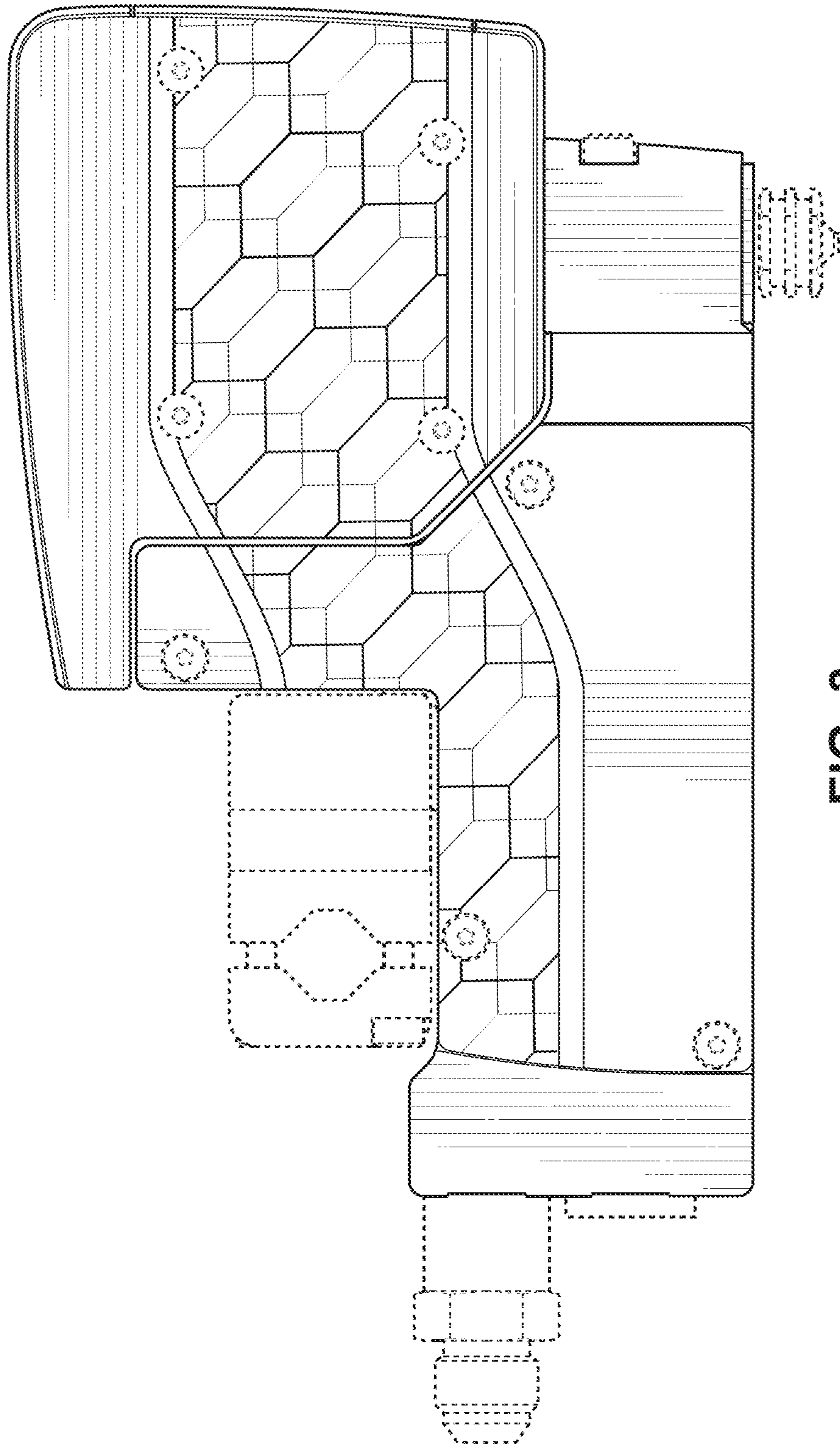


FIG. 3

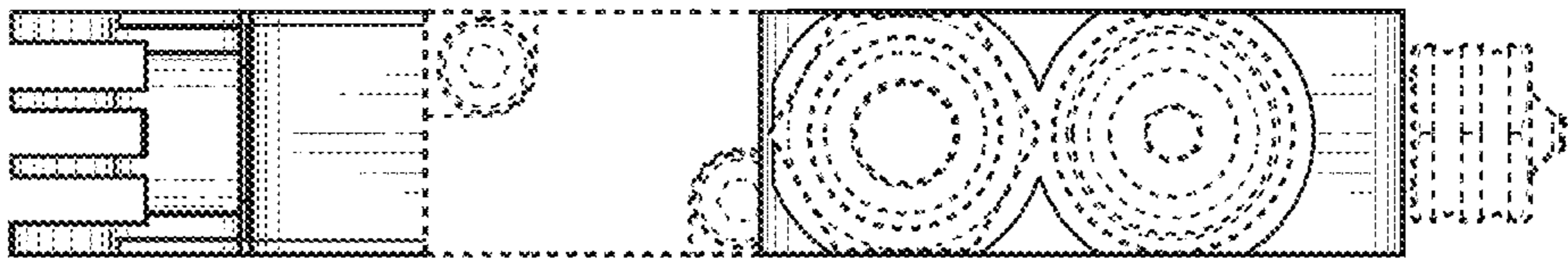


FIG. 5

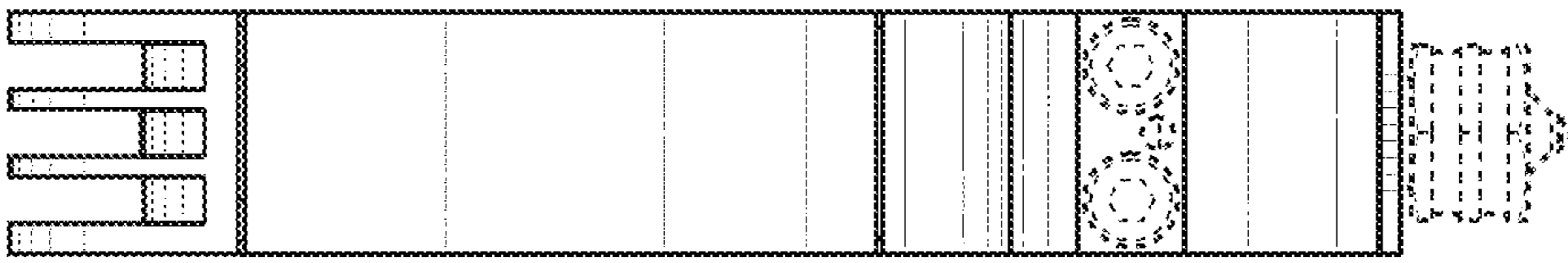


FIG. 4

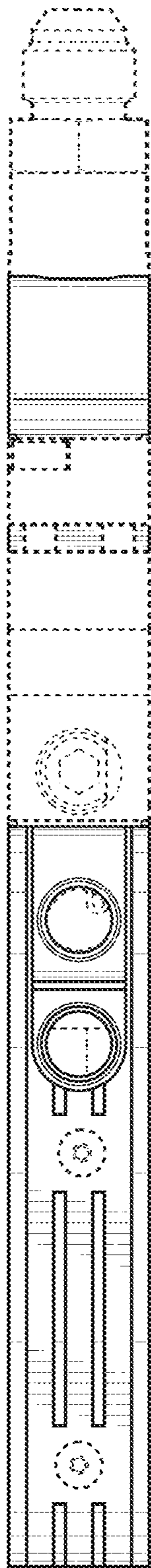


FIG. 6

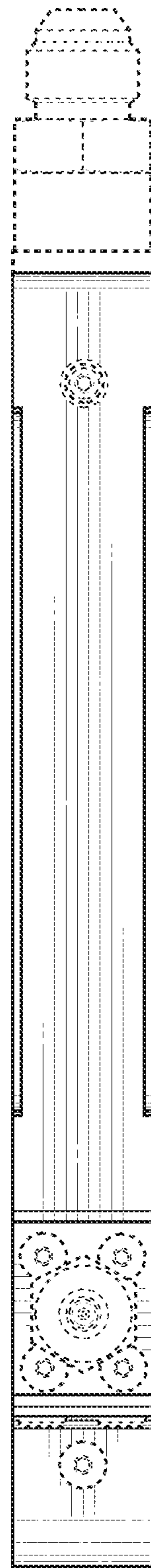


FIG. 7

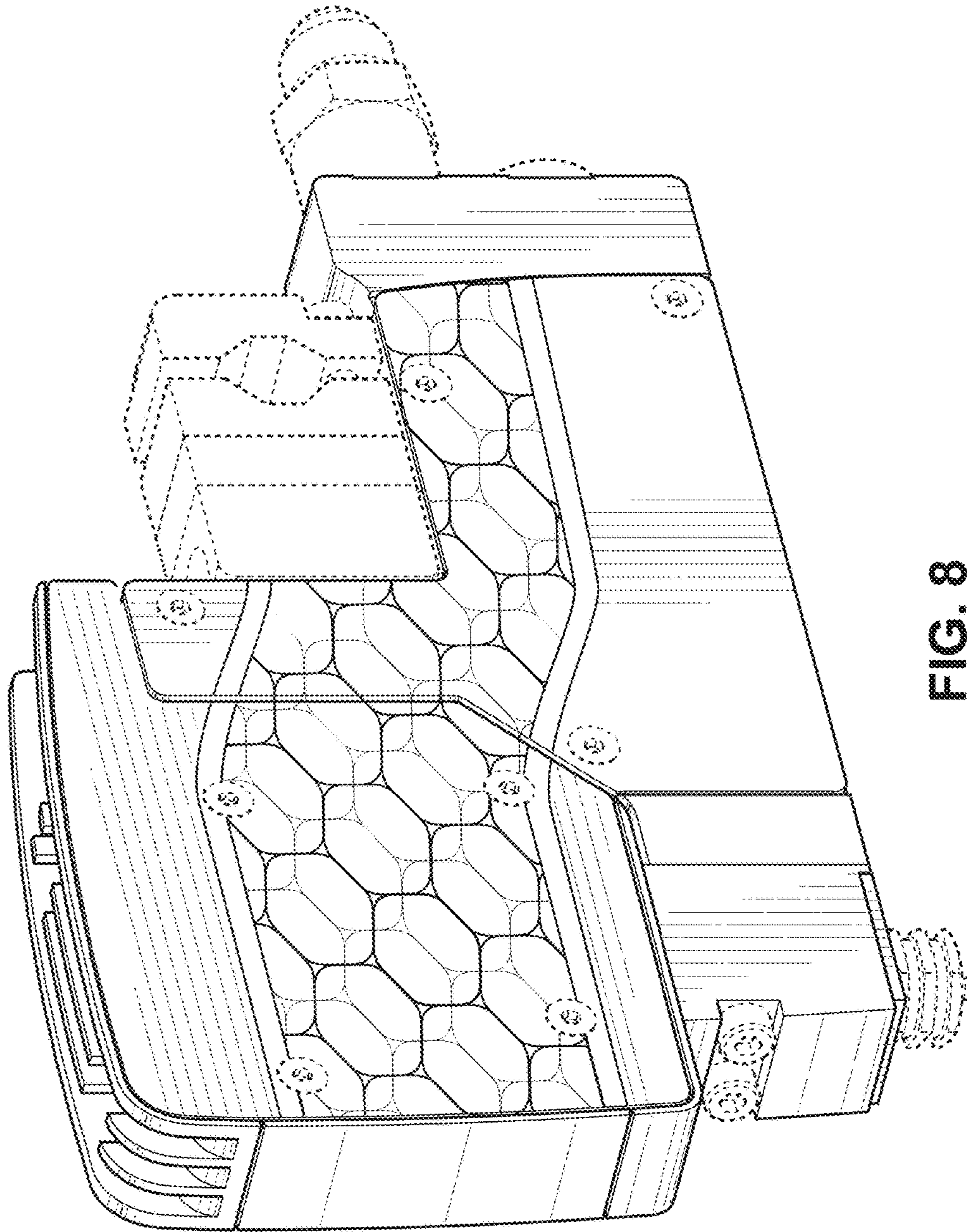


FIG. 8



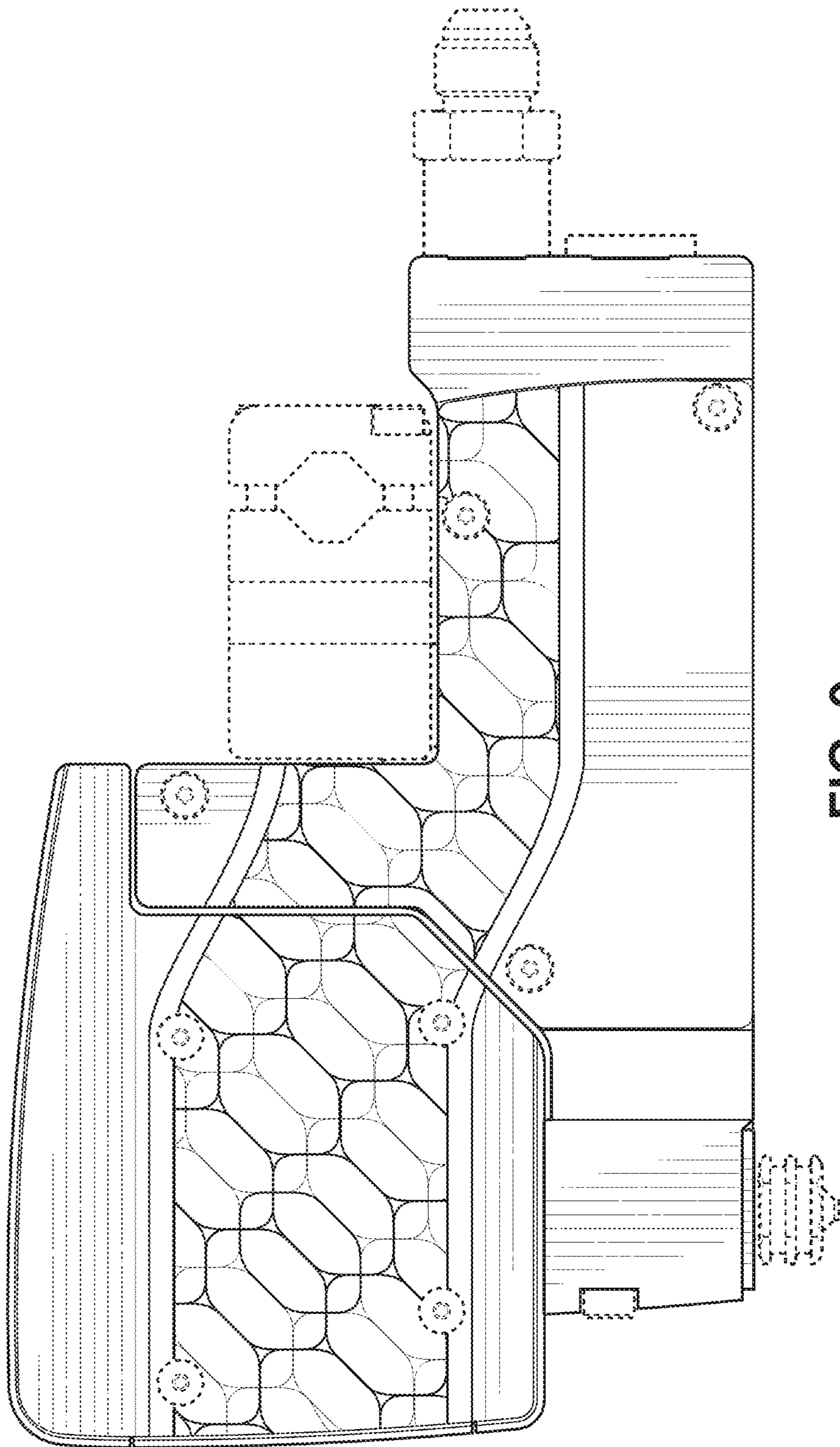


FIG. 9

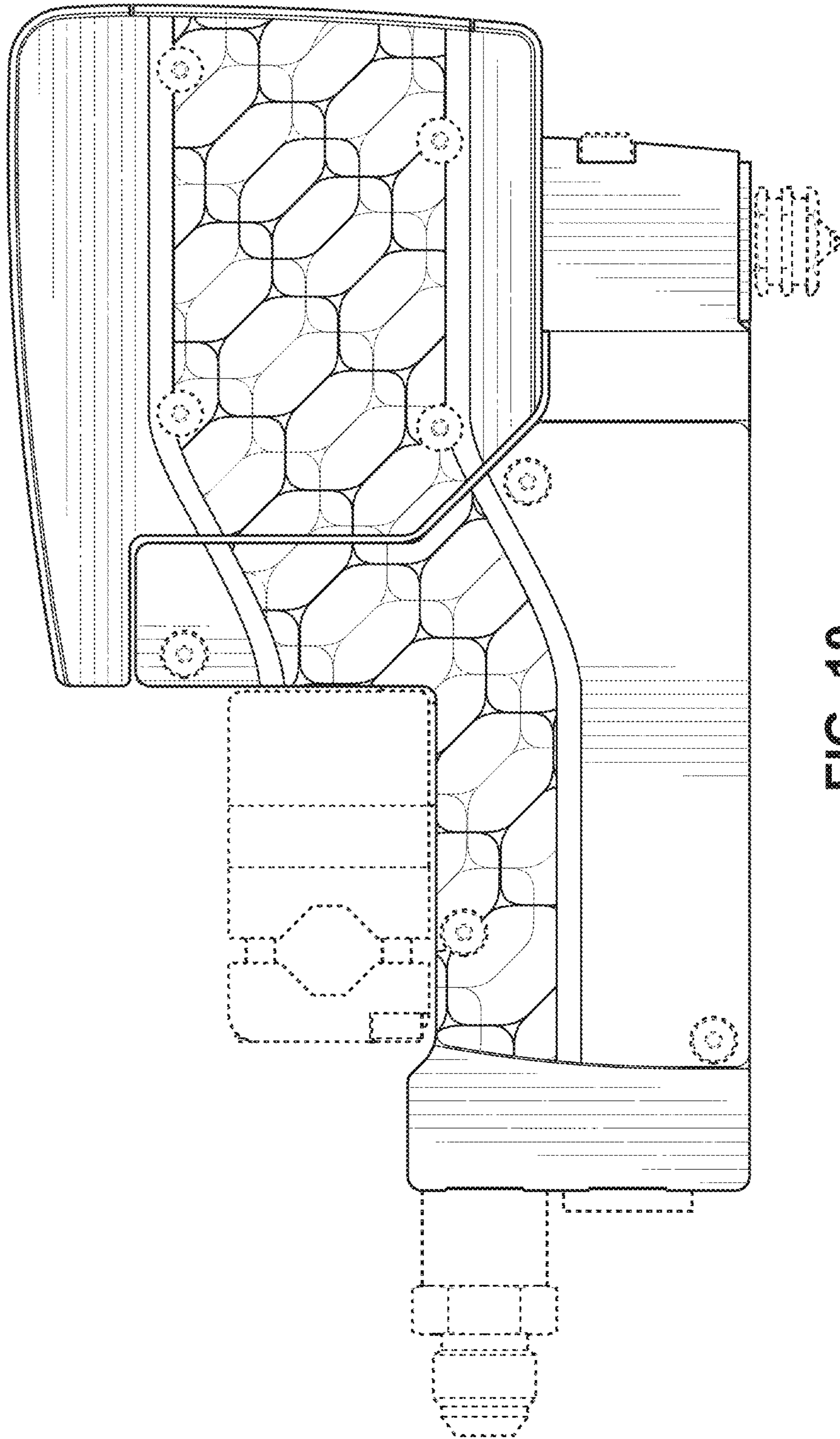


FIG. 10

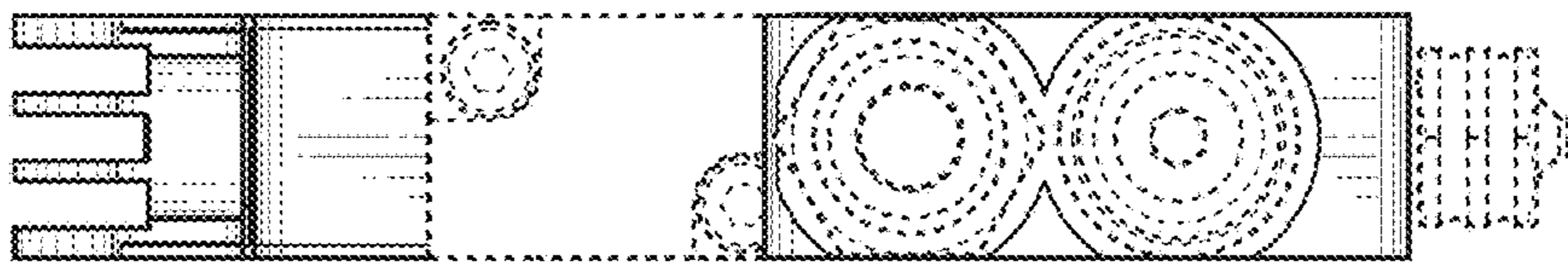


FIG. 12

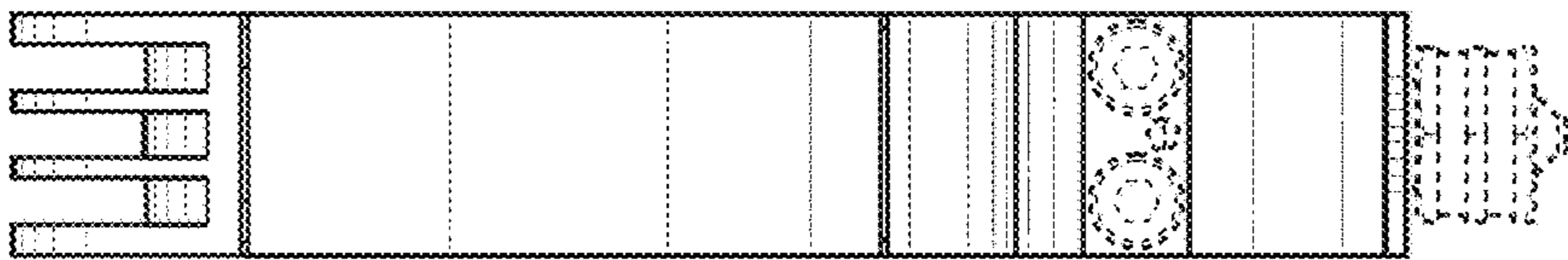


FIG. 11

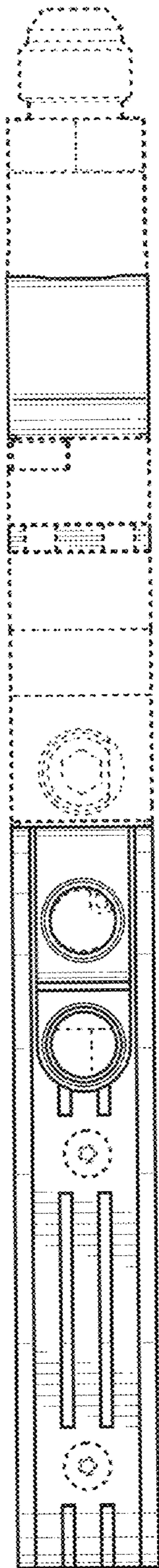


FIG. 13

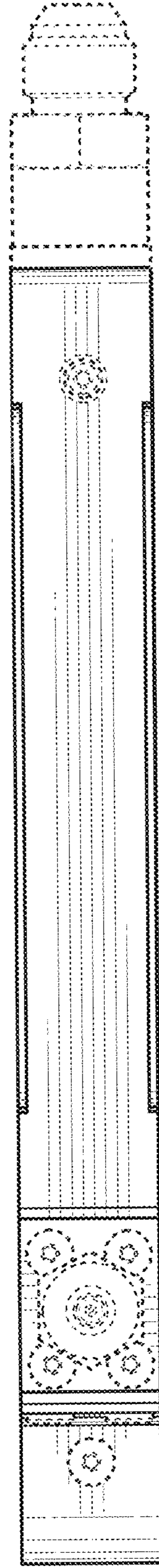


FIG. 14