



US00D824961S

(12) **United States Design Patent**  
**Helgesson et al.**

(10) **Patent No.:** **US D824,961 S**

(45) **Date of Patent:** **\*\* Aug. 7, 2018**

(54) **WRAP PANEL FOR USE WITH A FUEL DISPENSER**

(71) Applicant: **Wayne Fueling Systems Sweden AB**, Malmö (SE)

(72) Inventors: **Hanna Helgesson**, Dalby (SE); **Annika Birkler**, Malmö (SE); **Bengt I. Larsson**, Skivarp (SE); **Carl Forslund**, Malmö (SE); **Camilla Lundstrom**, Angelholm (SE); **Scott R. Negley, III**, Austin, TX (US); **Neil Thomas**, Austin, TX (US); **Kevin Burnett**, Austin, TX (US); **Gian Pangaro**, Brooklyn, NY (US); **Gen Suzuki**, Kamakura (JP); **Jason Robinson**, Tewksbury, MA (US); **Timothy R. Proulx**, Nashua, NH (US)

(73) Assignee: **Wayne Fueling Systems Sweden AB**, Malmö (SE)

(\*\*) Term: **15 Years**

(21) Appl. No.: **29/581,921**

(22) Filed: **Oct. 24, 2016**

Oct. 16, 2009 (EP) ..... 1172068-0024  
Oct. 16, 2009 (EP) ..... 1172068-0027  
Oct. 16, 2009 (EP) ..... 1172068-0029  
Oct. 16, 2009 (EP) ..... 1172068-0030  
Oct. 16, 2009 (EP) ..... 1172068-0031  
Oct. 16, 2009 (EP) ..... 1172068-0032  
Oct. 16, 2009 (EP) ..... 1172068-0033  
Oct. 16, 2009 (EP) ..... 1172068-0034  
Oct. 16, 2009 (EP) ..... 1172068-0035  
Oct. 16, 2009 (EP) ..... 1172068-0036  
Oct. 16, 2009 (EP) ..... 1172068-0037  
Oct. 16, 2009 (EP) ..... 1172068-0040  
Oct. 16, 2009 (EP) ..... 1172068-0042  
Oct. 16, 2009 (EP) ..... 1172068-0046

(51) **LOC (11) Cl.** ..... **15-02**

(52) **U.S. Cl.**  
USPC ..... **D15/9.1**

(58) **Field of Classification Search**  
USPC ..... D15/7-9.3; D23/231, 232, 225; 417/60, 417/235, 265, 321, 355, 358, 363, 359, 417/410.1, 415-416, 405, 900; 60/408, 60/412; 184/26-37; 415/140-147; 123/495, 509  
CPC ... B67D 5/22; B67D 5/12; B67D 5/08; D67D 5/06; G06F 7/08

See application file for complete search history.

**Related U.S. Application Data**

(62) Division of application No. 29/546,261, filed on Nov. 20, 2015, now Pat. No. Des. 775,237, which is a division of application No. 29/498,789, filed on Aug. 7, 2014, now Pat. No. Des. 746,875, which is a division of application No. 29/443,053, filed on Jan. 11, 2013, now Pat. No. Des. 718,338, which is a division of application No. 29/359,710, filed on Apr. 14, 2010, now Pat. No. Des. 677,284.

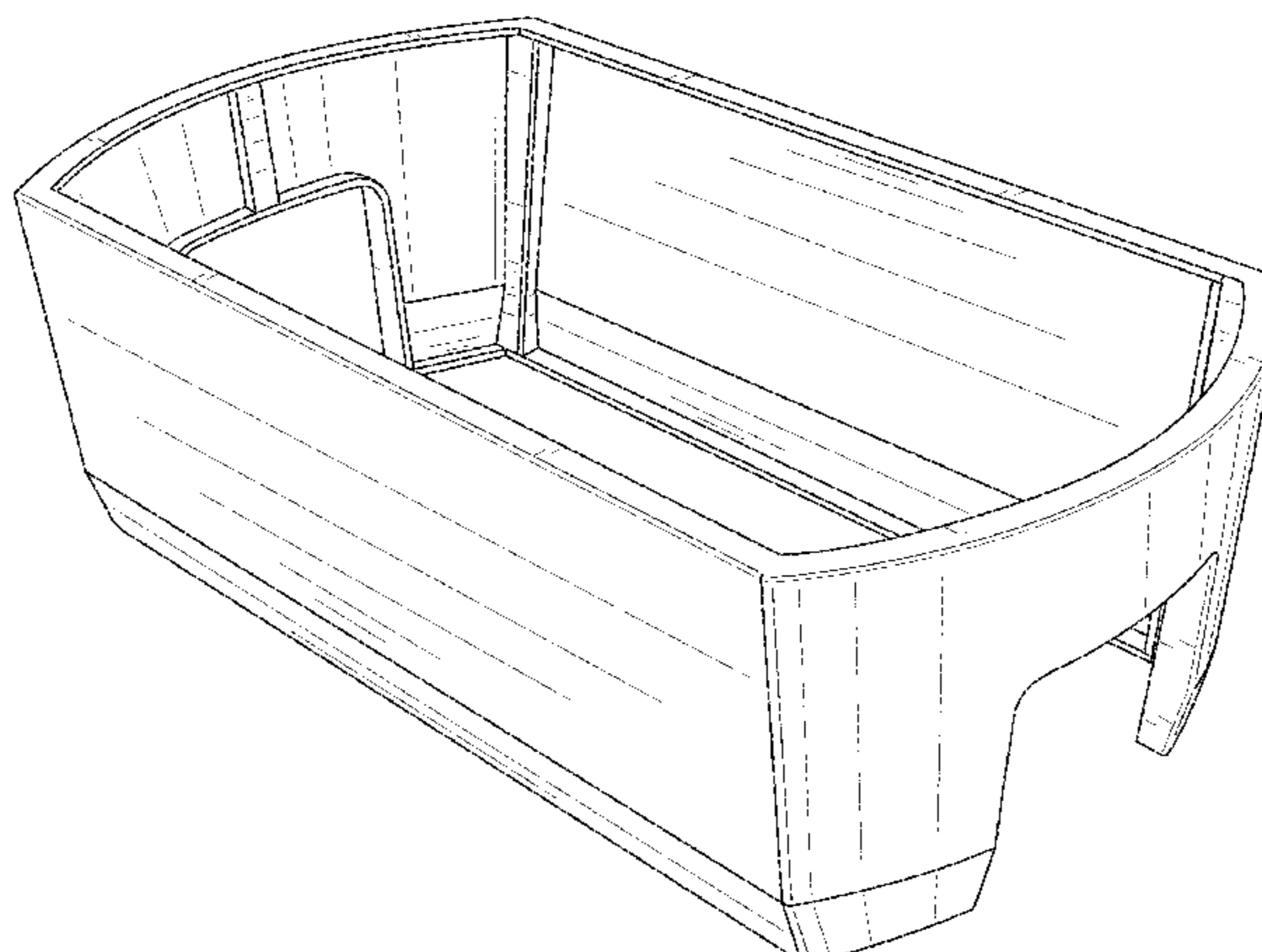
(30) **Foreign Application Priority Data**

Oct. 16, 2009 (EP) ..... 1172068-0015  
Oct. 16, 2009 (EP) ..... 1172068-0018  
Oct. 16, 2009 (EP) ..... 1172068-0019  
Oct. 16, 2009 (EP) ..... 1172068-0021  
Oct. 16, 2009 (EP) ..... 1172068-0022

(56) **References Cited**

**U.S. PATENT DOCUMENTS**

D118,869 S 9/1960 Bowden  
D193,577 S 9/1962 Sasnett  
D197,440 S 2/1964 Winger et al.  
D201,516 S 6/1965 Sasnett  
D211,401 S 6/1968 Chidea et al.  
D250,429 S 11/1978 Batson et al.  
D262,971 S 2/1982 Robinson, Jr. et al.  
D265,092 S 6/1982 Robinson, Jr. et al.  
D271,696 S 12/1983 Todd  
D272,628 S 2/1984 Monigle et al.  
D281,427 S 11/1985 Baffo et al.  
4,576,312 A \* 3/1986 Swick, Jr. .... B67D 7/06  
222/173  
D301,342 S 5/1989 Mittermaier et al.  
D309,144 S 7/1990 Austin et al.  
D317,924 S \* 7/1991 Aiken, Sr. .... D15/9.1



|                 |           |                         |    |             |         |
|-----------------|-----------|-------------------------|----|-------------|---------|
| D375,505 S      | 11/1996   | Wong                    | EM | 11720680019 | 10/2009 |
| D383,381 S      | 9/1997    | Philippi                | EM | 11720680021 | 10/2009 |
| D395,052 S      | * 6/1998  | Krone ..... D15/9.1     | EM | 11720680022 | 10/2009 |
| D396,047 S      | * 7/1998  | Krone ..... D15/9.1     | EM | 11720680024 | 10/2009 |
| D407,412 S      | 3/1999    | Wang                    | EM | 11720680027 | 10/2009 |
| D414,501 S      | 9/1999    | Wilson et al.           | EM | 11720680029 | 10/2009 |
| D414,780 S      | 10/1999   | Wilson et al.           | EM | 11720680030 | 10/2009 |
| D414,781 S      | 10/1999   | Wilson et al.           | EM | 11720680031 | 10/2009 |
| D415,167 S      | 10/1999   | Wilson et al.           | EM | 11720680032 | 10/2009 |
| D415,168 S      | 10/1999   | Wilson et al.           | EM | 11720680033 | 10/2009 |
| D415,169 S      | 10/1999   | Wilson et al.           | EM | 11720680034 | 10/2009 |
| D415,170 S      | 10/1999   | Wilson et al.           | EM | 11720680035 | 10/2009 |
| D415,171 S      | 10/1999   | Wilson et al.           | EM | 11720680036 | 10/2009 |
| D415,172 S      | 10/1999   | Wilson et al.           | EM | 11720680037 | 10/2009 |
| D415,501 S      | 10/1999   | Wilson et al.           | EM | 11720680040 | 10/2009 |
| D415,777 S      | 10/1999   | Wilson et al.           | EM | 11720680042 | 10/2009 |
| D416,916 S      | 11/1999   | Wilson et al.           | EM | 11720680046 | 10/2009 |
| D417,226 S      | 11/1999   | Wilson et al.           |    |             |         |
| D420,684 S      | 2/2000    | Wilson et al.           |    |             |         |
| D421,612 S      | 3/2000    | Wilson et al.           |    |             |         |
| D422,285 S      | 4/2000    | Wilson et al.           |    |             |         |
| D422,604 S      | 4/2000    | Wilson et al.           |    |             |         |
| D426,555 S      | 6/2000    | Wilson et al.           |    |             |         |
| D429,740 S      | 8/2000    | Wilson et al.           |    |             |         |
| D430,577 S      | 9/2000    | Taylor et al.           |    |             |         |
| D433,033 S      | 10/2000   | Wilson et al.           |    |             |         |
| D434,423 S      | 11/2000   | Wang                    |    |             |         |
| D434,424 S      | 11/2000   | Wilson et al.           |    |             |         |
| D434,780 S      | 12/2000   | Wilson et al.           |    |             |         |
| D435,051 S      | 12/2000   | Wilson et al.           |    |             |         |
| D438,216 S      | 2/2001    | Taylor et al.           |    |             |         |
| D440,579 S      | 4/2001    | Wilson et al.           |    |             |         |
| D443,624 S      | 6/2001    | Wilson et al.           |    |             |         |
| D454,421 S      | 3/2002    | Jeon et al.             |    |             |         |
| D481,516 S      | 10/2003   | Magee et al.            |    |             |         |
| D481,517 S      | 10/2003   | Magee et al.            |    |             |         |
| D481,518 S      | 10/2003   | Magee et al.            |    |             |         |
| D485,417 S      | 1/2004    | Magee et al.            |    |             |         |
| D487,834 S      | 3/2004    | Zerman et al.           |    |             |         |
| D488,280 S      | 4/2004    | Zerman et al.           |    |             |         |
| D492,081 S      | 6/2004    | Magee et al.            |    |             |         |
| D500,905 S      | 1/2005    | Magee et al.            |    |             |         |
| D515,103 S      | 2/2006    | Chou                    |    |             |         |
| D534,447 S      | 1/2007    | Marini                  |    |             |         |
| D553,648 S      | * 10/2007 | Laya H. .... D15/9.1    |    |             |         |
| D557,299 S      | 12/2007   | Marini et al.           |    |             |         |
| D601,590 S      | 10/2009   | Burnham                 |    |             |         |
| D602,225 S      | 10/2009   | Lute et al.             |    |             |         |
| D613,320 S      | 4/2010    | Marini                  |    |             |         |
| D623,375 S      | 9/2010    | Douglass et al.         |    |             |         |
| D625,305 S      | 10/2010   | Bleck et al.            |    |             |         |
| D628,764 S      | 12/2010   | Bleck et al.            |    |             |         |
| D629,585 S      | 12/2010   | Bleck et al.            |    |             |         |
| D631,634 S      | 1/2011    | Bleck et al.            |    |             |         |
| D645,056 S      | 9/2011    | Marini                  |    |             |         |
| D655,315 S      | 3/2012    | Helgesson et al.        |    |             |         |
| D664,997 S      | 8/2012    | Helgesson et al.        |    |             |         |
| D667,846 S      | 9/2012    | Helgesson et al.        |    |             |         |
| D677,284 S      | * 3/2013  | Helgesson ..... D15/9.2 |    |             |         |
| D681,681 S      | 5/2013    | Schmelzer et al.        |    |             |         |
| D681,682 S      | * 5/2013  | Schmelzer ..... D15/9.2 |    |             |         |
| D688,274 S      | 8/2013    | Schmelzer et al.        |    |             |         |
| D688,275 S      | 8/2013    | Schmelzer et al.        |    |             |         |
| D700,917 S      | 3/2014    | Helgesson et al.        |    |             |         |
| D718,338 S      | 11/2014   | Helgesson et al.        |    |             |         |
| D727,365 S      | 4/2015    | Helgesson et al.        |    |             |         |
| D746,875 S      | 1/2016    | Helgesson et al.        |    |             |         |
| 2010/0161489 A1 | 6/2010    | Goodall et al.          |    |             |         |
| 2010/0176191 A1 | 7/2010    | Ramachandran et al.     |    |             |         |
| 2010/0187299 A1 | 7/2010    | Block et al.            |    |             |         |
| 2010/0187300 A1 | 7/2010    | Ramachandran et al.     |    |             |         |
| 2010/0241564 A1 | 9/2010    | Miller et al.           |    |             |         |
| 2010/0243729 A1 | 9/2010    | Russell et al.          |    |             |         |
| 2010/0258621 A1 | 10/2010   | Schlabach et al.        |    |             |         |

OTHER PUBLICATIONS

Bennett Big Squirt High Speed Truck Stop Fueling; [online] [Retrieved on Jul. 27, 2010]; Retrieved from the Internet URL: <http://www.bennettpump.com/products/big-squirt>.

Bennett BlueFueler Series Diesel Exhaust Fluid Dispensers [online] [Retrieved on Jul. 27, 2010]; Retrieved from the Internet URL: <http://www.bennettpump.com/products/bluefueler>.

Bennett Commercial Industrial Fleet Fueling; [online] [Retrieved on Jul. 28, 2010]; Retrieved from the Internet URL: <http://www.bennettpump.com/products/commercial-industrial-fleet-fueling>.

Bennett Horizon2 Series Retail Multi-Product Dispensers/Pumps. [online] [Retrieved on Jul. 28, 2010]; Retrieved from the Internet URL: <http://www.bennettpump.com/products/horizon2-series>.

Bennett Pacific Series Retail Multi-Product Dispensers [online] [Retrieved on Jul. 27, 2010]; Retrieved from the Internet URL: <http://www.bennettpump.com/products/pacific-series>.

Bennett Special Retail Applications 3000 Series Retail Single and Dual Dispensers/Pumps; [online] [Retrieved on Jul. 28, 2010]; Retrieved from the Internet URL: <http://www.bennettpump.com/products/special-retail-applications>.

Dresser Wayne Century G1000; [online] [Retrieved on Sep. 1, 2010]; Retrieved from the Internet URL: <http://www.wayne.com/index.cfm/go/product-detail/product/century-g1000/>.

Dresser Wayne Century—China Edition; [online] [Retrieved on Sep. 1, 2010]; Retrieved from the Internet URL: <http://www.wayne.com/index.cfm/go/product-detail/product/china%20century/>.

Dresser Wayne Century; [online] [Retrieved on Sep. 1, 2010]; Retrieved from the Internet URL: [http://www.wayne.com/index.cfm/go/product-detail/product/century-\(na\)/](http://www.wayne.com/index.cfm/go/product-detail/product/century-(na)/).

Dresser Wayne DEF Dispenser; [online] [Retrieved on Sep. 1, 2010]; Retrieved from the Internet URL: <http://www.wayne.com/index.cfm/go/product-detail/product/DEF-Dispenser/>.

Dresser Wayne Global Century; [online] [Retrieved on Sep. 1, 2010]; Retrieved from the Internet URL: <http://www.wayne.com/index.cfm/go/product-detail/product/Global%20Century-%20Fuel%20Dispenser/>.

Dresser Wayne Global Ovation iX; [online] [Retrieved on Jul. 28, 2010]; Retrieved from the Internet URL: <http://www.wayne.com/index.cfm/go/product-detail/product/global-ovation-i-x/>.

Dresser Wayne Global Star LPG; [online] [Retrieved on Jul. 28, 2010]; Retrieved from the Internet URL: <http://www.wayne.com/index.cfm/go/product-detail/product/global-star-lpg/>.

Dresser Wayne Global Star V; [online] [Retrieved on Jul. 28, 2010]; Retrieved from the Internet URL: <http://www.wayne.com/index.cfm/go/product-detail/product/global-star-v/>.

Dresser Wayne Global Vista; [online] [Retrieved on Sep. 1, 2010]; Retrieved from the Internet URL: <http://www.wayne.com/index.cfm/go/product-detail/product/global-vista/>.

Dresser Wayne HS Vista; [online] [Retrieved on Aug. 4, 2010]; Retrieved from the Internet URL: <http://www.wayne.com/index.cfm/go/product-detail/products/hs-vista/>.

Dresser Wayne Ovation LX; [online] [Retrieved on Jul. 28, 2010]; Retrieved from the Internet URL: <http://www.wayne.com/index.cfm/go/product-detail/product/Ovation-LX/>.

FOREIGN PATENT DOCUMENTS

|    |             |         |
|----|-------------|---------|
| EM | 11720680015 | 10/2009 |
| EM | 11720680018 | 10/2009 |

Dresser Wayne Ovation; [online] [Retrieved on Jul. 28, 2010]; Retrieved from the Internet URL: <http://www.wayne.com/index.cfm/go/product-detail/product/ovation/>.

Dresser Wayne Pignone, DPX-A model fuel dispenser, Multiproduct type, DPX-A fuel dispenser—Code TLO 29079—Revision 0—Sep. 2004; publication date at least as early as Oct. 14, 2009.

Dresser Wayne Pignone, DPXF CNG model dispenser, Compressed Natural Gas (CNG) dispenser, DPX-F Cng dispenser—Code TLO 29082—Revision 0—Sep. 2004; publication date at least as early as Oct. 14, 2009.

Dresser Wayne Pignone, Global Star HH and LHR, Global technology for multiproduct dispensers, Global Star HH/ LHR-4 pp. 480291 GB, RevisionDate Jul. 6, 2004; publication date at least as early as Oct. 14, 2009.

Dresser Wayne Pignone, Global Star SCR Dispenser, Global Star for SCR-2 pp. 480292 GB, Revision Date Jul. 14, 2004; publication date at least as early as Oct. 14, 2009.

Dresser Wayne Vista—China Edition; [online] [Retrieved on Sep. 1, 2010]; Retrieved from the Internet URL: <http://www.wayne.com/index.cfm/go/product-detail/product/china%20vista/>.

Dresser Wayne Vista; [online] [Retrieved on Jul. 28, 2010]; Retrieved from the Internet URL: <http://www.wayne.com/index.cfm/go/product-detail/product/Nista/>.

Dresser Wayne, 3/G 3000, Global Century High Hose Multi-Grade/Multi-Product Dispensers, Increased flexibility using less island space.; publication date at least as early as Oct. 14, 2009.

Dresser Wayne, Harmony Series Dispensers Parts Manual, Part No. 920640 Rev A, Mar. 2002, cover page.

Dresser Wayne, Ovation.TM. Series Dispensers, Leading the Industry in Technology and Evolutionary Design, Ovation-4 PN 920777 Rev B 4/05; publication date at least as early as Oct. 14, 2009.

Dresser Wayne, Reliance.TM. Series Fleet Pumps & Dispensers, A Reliable Solutions for Fleet Fueling, Reliance-4 G6200 PN 920800 Rev B 4/05; publication date at least as early as Oct. 14, 2009.

Dresser Wayne, Select Series Fleet Pumps & Dispensers, Advanced Technology for Fleet Fueling, Select-4 G7200 PN 920801 B 4/05; publication date at least as early as Oct. 14, 2009.

Dresser Wayne, Vista Series Pumps & Dispensers, Unmatched Flexibility in Forecourt Equipment Solutions, Vista-4 PN 920778, Rev. B 4/05; publication date at least as early as Oct. 14, 2009.

Gilbarco Autotank FlexPay B2B [online], published at least as early as Oct. 16, 2009, Retrieved from the Internet URL: <http://www.autotank.com/products/sub.--28.aspx>.

Gilbarco Autotank FlexPay NP3 [online], published at least as early as Oct. 16, 2009, Retrieved from the Internet Url: <http://www.autotank.com/products/sub.--29.aspx>.

Gilbarco Autotank FlexPay SK3 [online], published at least as early as Oct. 16, 2009, Retrieved from the Internet URL: <http://www.autotank.com/products/sub.--30.aspx>.

Gilbarco Encore 300; [online] [Retrieved on Sep. 1, 2010]; Retrieved from the Internet URL: [http://www.gilbarco.com/object/encore\\_sub.--300.sub.--dispensers.html](http://www.gilbarco.com/object/encore_sub.--300.sub.--dispensers.html).

Gilbarco Encore S; [online] [Retrieved on Sep. 1, 2010]; Retrieved from the Internet URL: <http://www.gilbarco.com/page/EncoreS>.

Gilbarco Encore Ultra-Hi Flow; [online] [Retrieved on Sep. 1, 2010]; Retrieved from the Internet URL: <http://www.gilbarco.com/object/Encore.sub.--300.sub.--Ultra-Hi.sub.--Flow-.html>.

Gilbarco Encore, publication at least as early as Jul. 2010.

Gilbarco Legacy Series--Electronic; [online] [Retrieved on Sep. 1, 2010]; Retrieved from the Internet URL: <http://www.gilbarco.com/page/Legacy.sub.--Electronic>.

Gilbarco Legacy Series--Mechanical; [online] [Retrieved on Sep. 1, 2010]; Retrieved from the Internet URL: <http://www.gilbarco.com/object/Legacy.sub.--Series.sub.--Mechanical.sub.--context>.

Gilbarco Performer; [online] [Retrieved on Sep. 1, 2010]; Retrieved from the Internet URL: <http://www.gilbarco.com/page/Performer>.

Hectronic Hecfleet [online], published at least as early as Oct. 16, 2009, Retrieved from the Internet URL: <http://www.hectronic.com/en/productstrefuelling/autofuel-systems/hecfleet/> L.

Hectronic Hecstar [online], published at least as early as Oct. 16, 2009, Retrieved from the Internet URL: <http://www.hectronic.com/en/productstrefuelling/autofuel-systems/hecstar/>.

Hectronic the different way. In the thick of it. And refreshingly different. [online], published at least as early as Oct. 16, 2009, Retrieved from the Internet URL: <http://www.hectronic.com/en/nc/documentation/company/?tx.sub.--drblob.sub.--pil%5BdownloadUid%5D=609>.

Petrotec Genesys OPT [online], published at least as early as Oct. 16, 2009, Retrieved from the Internet URL: <http://www.petrotec.pt/index.php?id=74&tbl=registos&id2=201>.

Tokheim Crypto VGA [online], published at least as early as Oct. 16, 2009, Retrieved from the Internet URL: <http://www.tokheim.com/main/index1.php?url=25&lg=>.

Tokheim Premier C; [online] [Retrieved on Oct. 8, 2010]; Retrieved from the Internet URL: <http://www.graffco.com/T%20Premier%20C%20Blender.htm>.

Tokheim Quantum 100T [online] [Retrieved on Jul. 27, 2010]; Retrieved from the Internet URL: <http://www.tokheim.com/main/index1.php?url=134&lg=>.

Tokheim Quantum 200T [online] [Retrieved on Jul. 27, 2010]; Retrieved from the Internet URL: <http://www.tokheim.com/main/index1.php?url=133&lg=>.

Tokheim Quantum 300T [online] [Retrieved on Jul. 27, 2010]; Retrieved from the Internet URL: <http://www.tokheim.com/main/index1.php?url=132&lg=>.

Tokheim Quantum 400T [online] [Retrieved on Jul. 27, 2010]; Retrieved from the Internet URL: <http://www.tokheim.com/main/index1.php?url=131&lg=>.

Tokheim Quantum 500T [online] [Retrieved on Jul. 27, 2010]; Retrieved from the Internet URL: <http://www.tokheim.com/main/index1.php?url=130&lg=>.

U.S. Appl. No. 29/359,682, filed Apr. 14, 2010.

U.S. Appl. No. 29/359,693, filed Apr. 14, 2010.

U.S. Appl. No. 29/359,717, filed Apr. 14, 2010.

\* cited by examiner

*Primary Examiner* — Ralf Seifert

(74) *Attorney, Agent, or Firm* — Mintz Levin Cohn Ferris Glovsky and Popeo, P.C.

(57) **CLAIM**

The ornamental design for a wrap panel for use with a fuel dispenser, as shown and described.

**DESCRIPTION**

FIG. 1 is a perspective view from above illustrating the front and right side of a front wrap panel component of a fuel dispenser;

FIG. 2 is a front view of the front wrap panel of FIG. 1;

FIG. 3 is a left side view of the front wrap panel of FIG. 1;

FIG. 4 is a front view of a rear wrap panel of FIG. 1;

FIG. 5 is a left side view of the rear wrap panel of FIG. 1; and,

FIG. 6 is a top view of the front wrap panel and the rear wrap panel of FIG. 1.

Where applicable, elements are shown in broken lines herein for illustrative purposes only, and form no part of the claimed design.

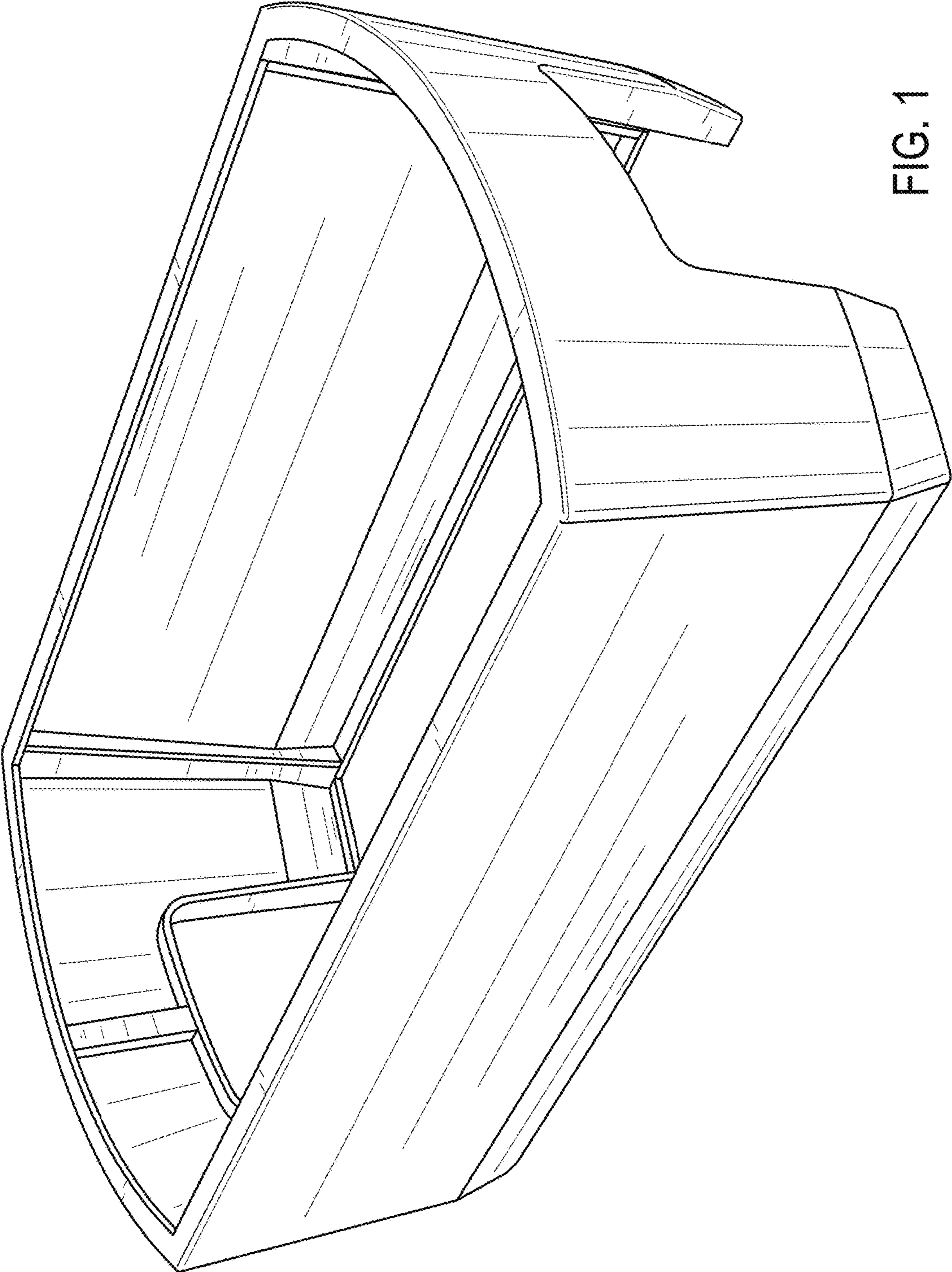


FIG. 1

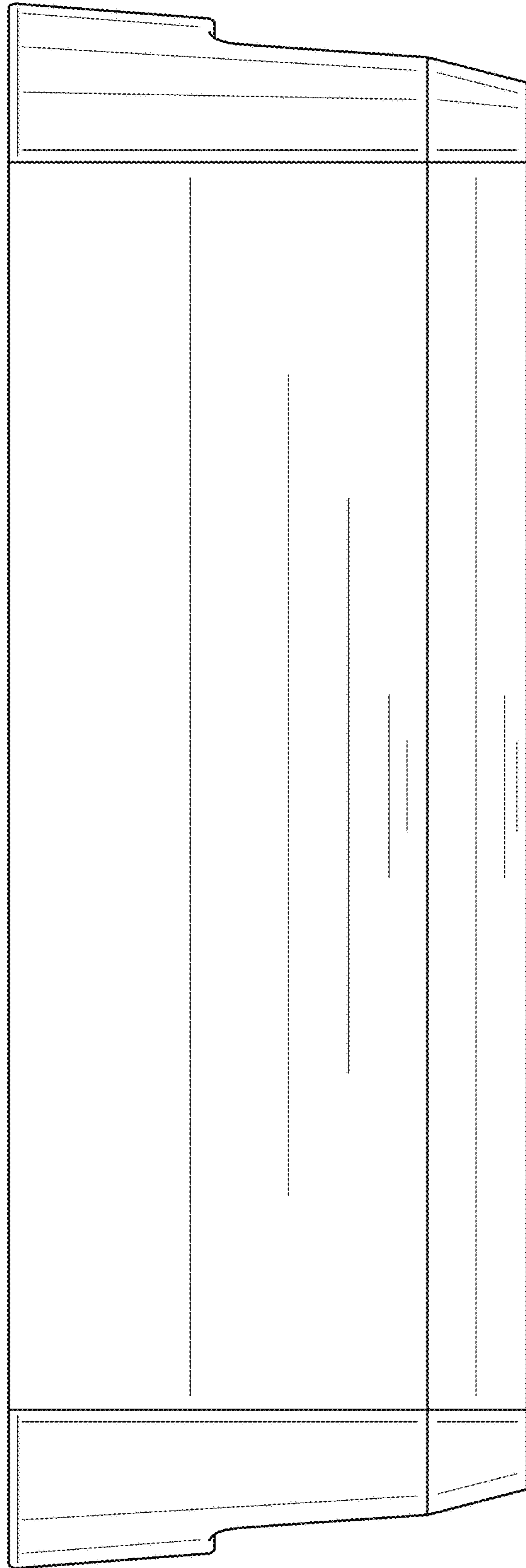


FIG. 2

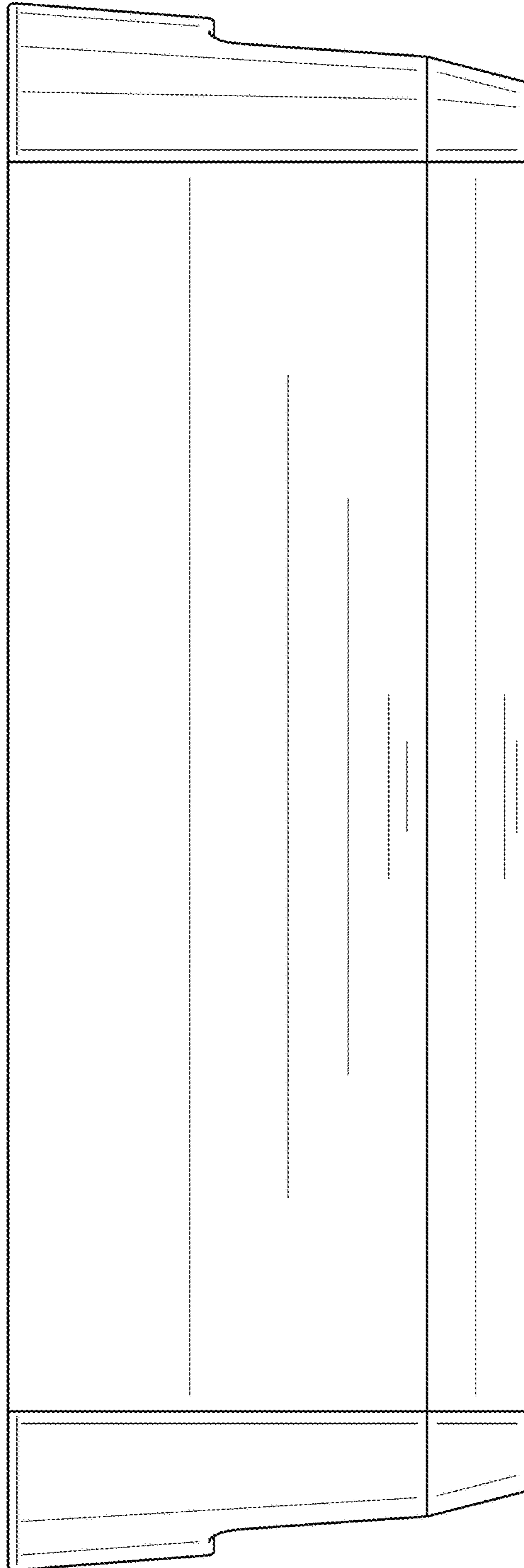


FIG. 3

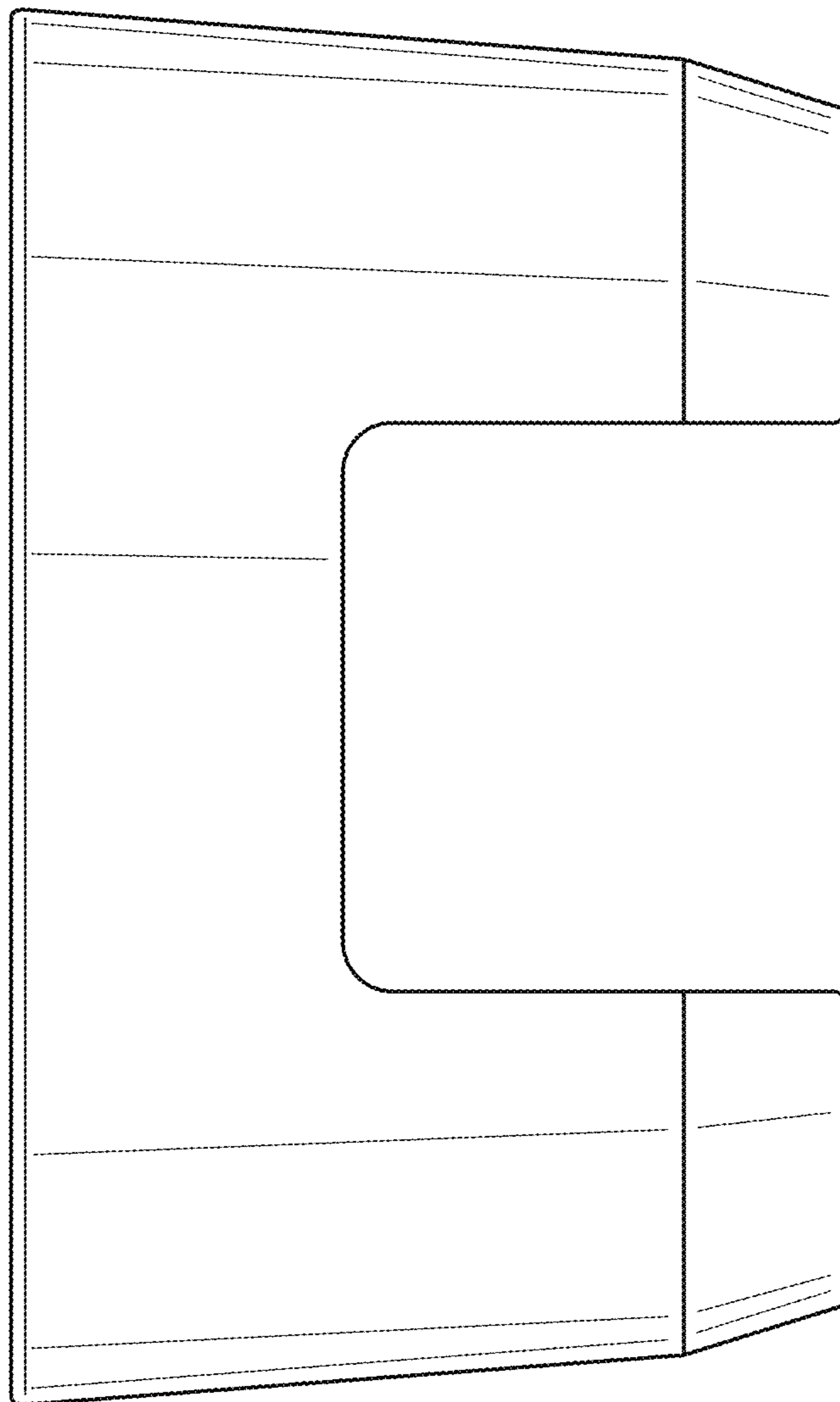


FIG. 4

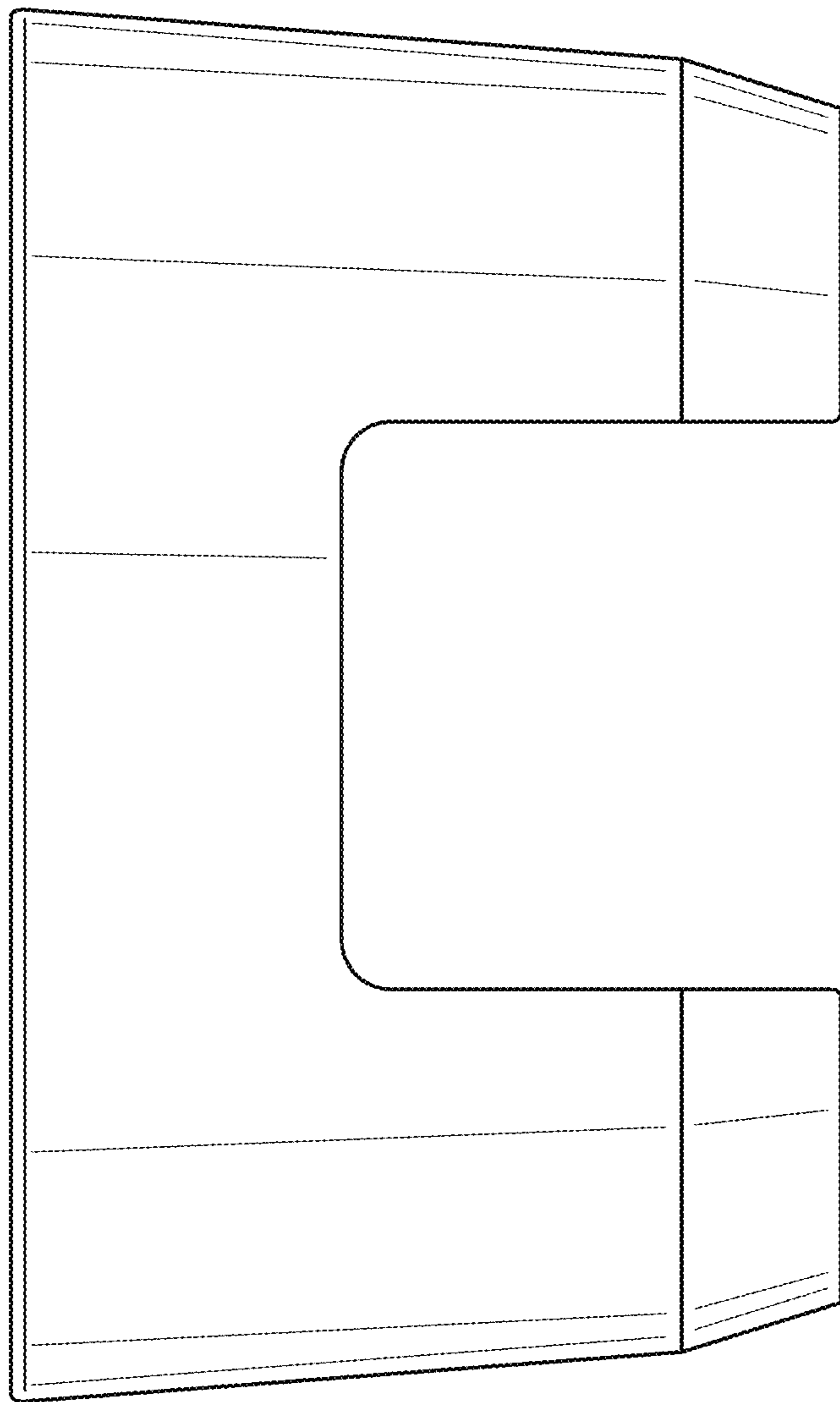


FIG. 5



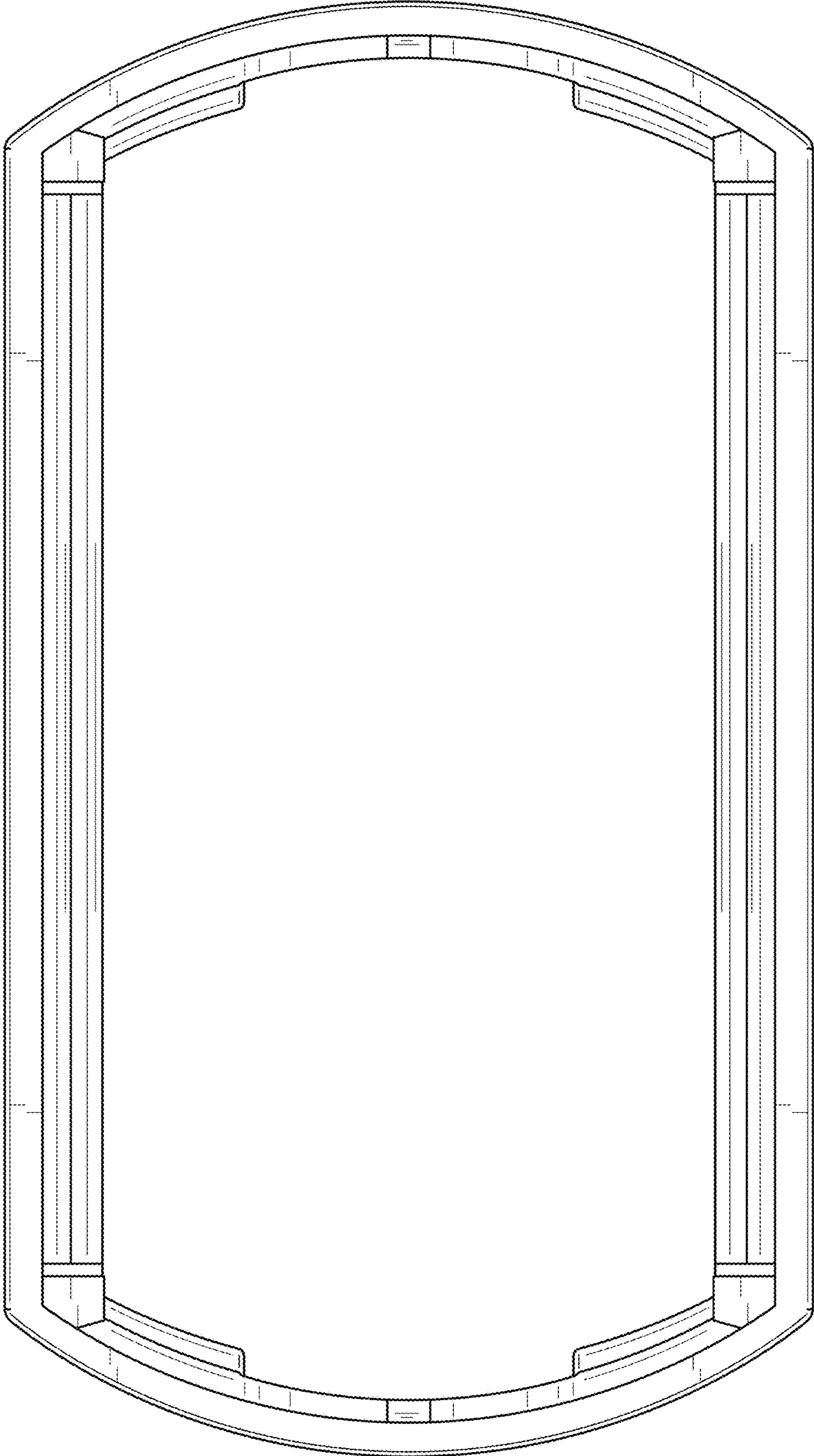


FIG. 6