



US00D824960S

(12) **United States Design Patent**  
**Geldenhuis et al.**

(10) **Patent No.:** **US D824,960 S**  
(45) **Date of Patent:** **\*\* Aug. 7, 2018**

(54) **IMPELLER**  
(71) Applicant: **BATTLEMAX (PTY) LTD.**, Centurion (ZA)  
(72) Inventors: **Siegfried Geldenhuis**, Knysna (ZA); **Marthinus Jacobus Buitendag**, Centurion (ZA)  
(73) Assignee: **BATTLEMAX (PTY) LTD.**, Centurion (ZA)  
(\*\*) Term: **15 Years**  
(21) Appl. No.: **29/596,393**  
(22) Filed: **Mar. 8, 2017**

6,146,094 A \* 11/2000 Obana ..... F04D 29/023  
415/200  
D443,281 S \* 6/2001 Sodergard ..... D15/7  
D486,158 S \* 2/2004 Lei ..... D15/7  
D586,826 S \* 2/2009 Cantrill ..... D15/7  
D606,564 S \* 12/2009 Nishi ..... D15/7  
D607,472 S \* 1/2010 Nishi ..... D15/7  
D617,815 S \* 6/2010 Tarui ..... D15/7  
D629,095 S \* 12/2010 Liu ..... D23/411  
D631,065 S \* 1/2011 Burgess ..... D15/9  
8,511,998 B2 \* 8/2013 Burgess ..... F04D 29/2288  
29/402.08  
8,562,297 B2 \* 10/2013 Yen ..... F04D 29/282  
416/186 R  
D761,881 S \* 7/2016 Small ..... D15/28  
D776,166 S \* 1/2017 Obuchi ..... D15/7  
D791,841 S \* 7/2017 Obuchi ..... D15/7

\* cited by examiner

*Primary Examiner* — Ralf Seifert  
(74) *Attorney, Agent, or Firm* — Tutunjian & Bitetto, P.C.

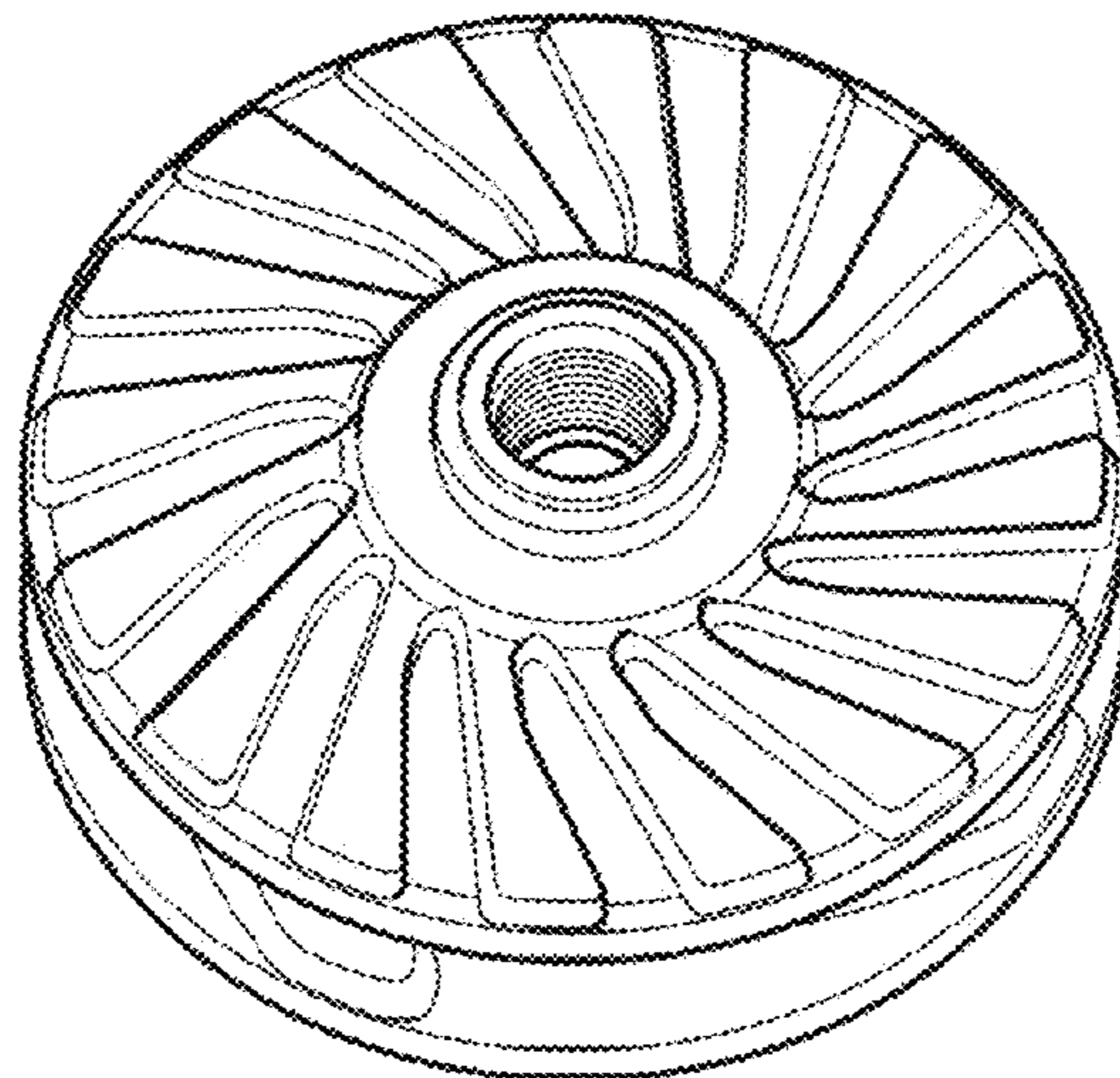
(30) **Foreign Application Priority Data**  
Sep. 9, 2016 (ZA) ..... F2016/01328  
(51) **LOC (11) Cl.** ..... **15-02**  
(52) **U.S. Cl.**  
USPC ..... **D15/7**  
(58) **Field of Classification Search**  
USPC ..... D15/7-9, 28; D23/231, 232, 225, 379,  
D23/411; 417/60, 235, 265, 321, 355,  
417/358, 363, 359, 410.1, 415-416, 405,  
417/900; 60/408, 412; 184/26-37;  
415/131, 140-147; 416/175, 180, 183;  
29/889.23  
CPC ..... F02M 37/04; F02M 37/14; F04D 7/04;  
F04D 29/2288; F04D 1/0006; F04D  
29/284; F01D 17/143; B21K 25/00; B23P  
15/04; B01F 3/12  
See application file for complete search history.

(56) **References Cited**  
U.S. PATENT DOCUMENTS  
D27,078 S \* 5/1897 Cahill et al. .... D12/206  
D355,253 S \* 2/1995 Jansen ..... D15/5

(57) **CLAIM**  
The ornamental design for an impeller, as shown and described.

**DESCRIPTION**  
FIG. 1 is a perspective view of the impeller showing our new design;  
FIG. 2 is a top view thereof;  
FIG. 3 is a bottom view thereof;  
FIG. 4 is side view thereof;  
FIG. 5 is an opposing side view thereof;  
FIG. 6 is an end thereof; and,  
FIG. 7 is an opposing end view thereof.  
The broken lines in the drawings illustrate the portions of the impeller that form no part of the claim.

**1 Claim, 1 Drawing Sheet**



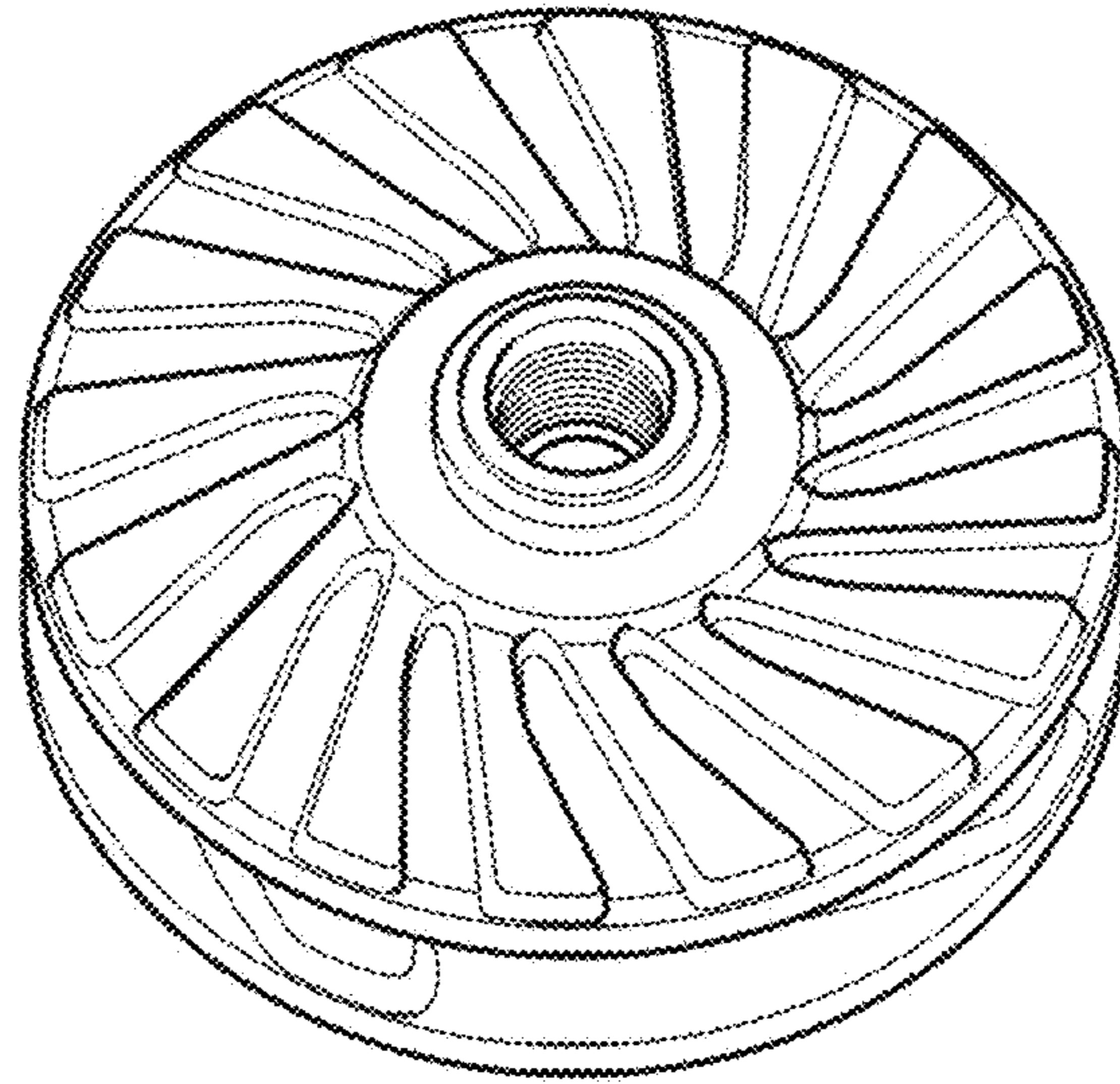


FIG 1

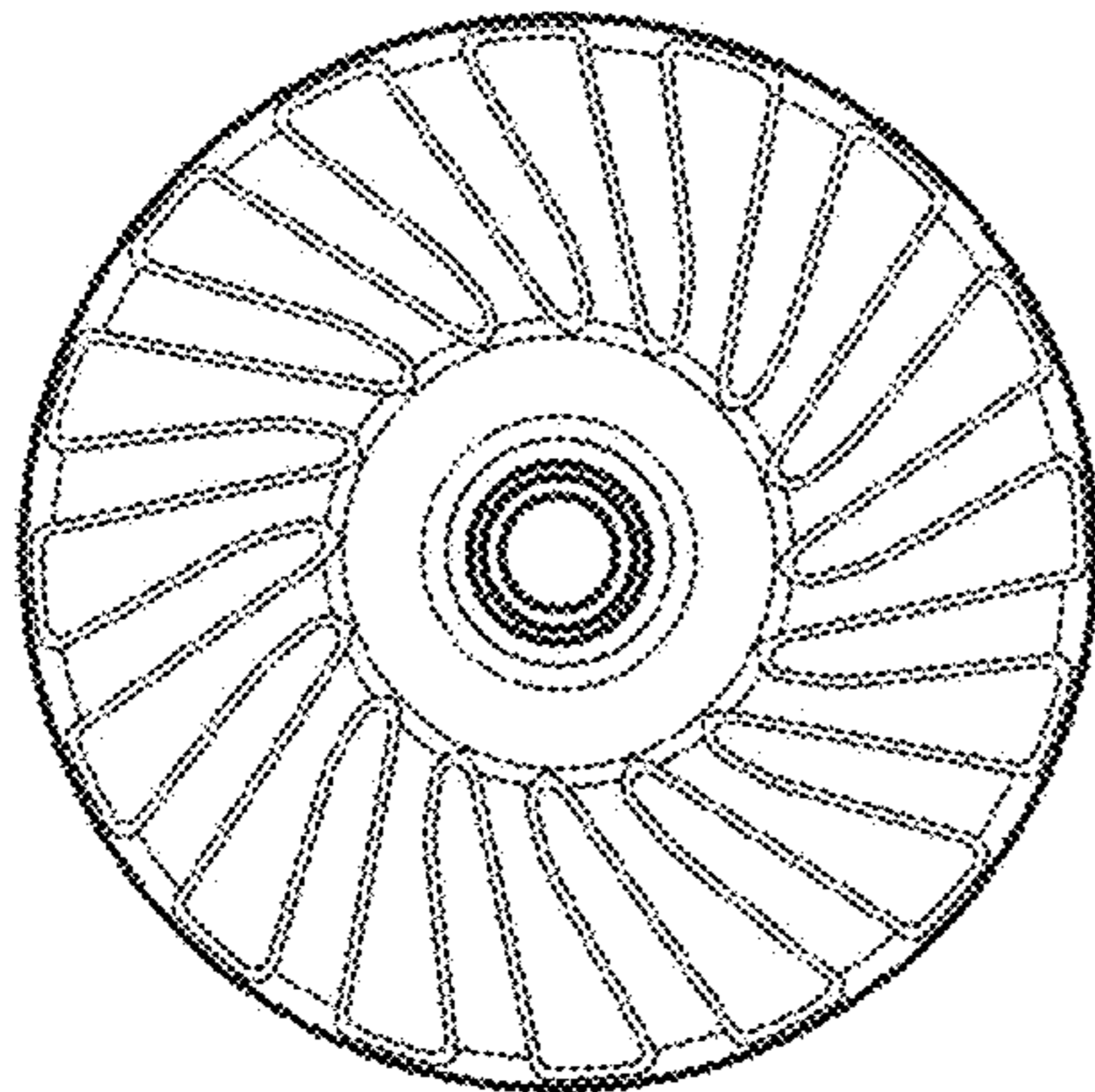


FIG 2

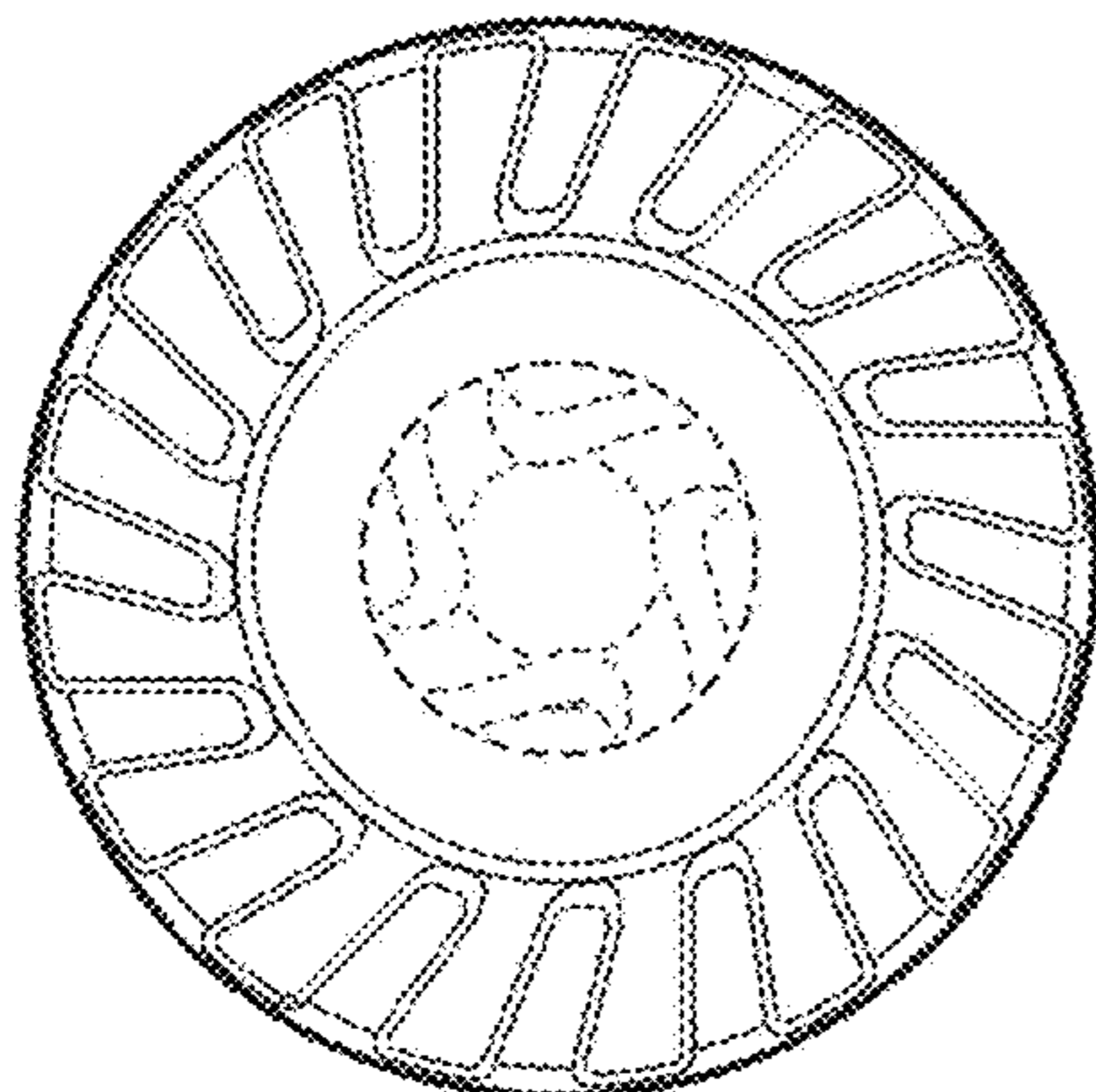


FIG 3

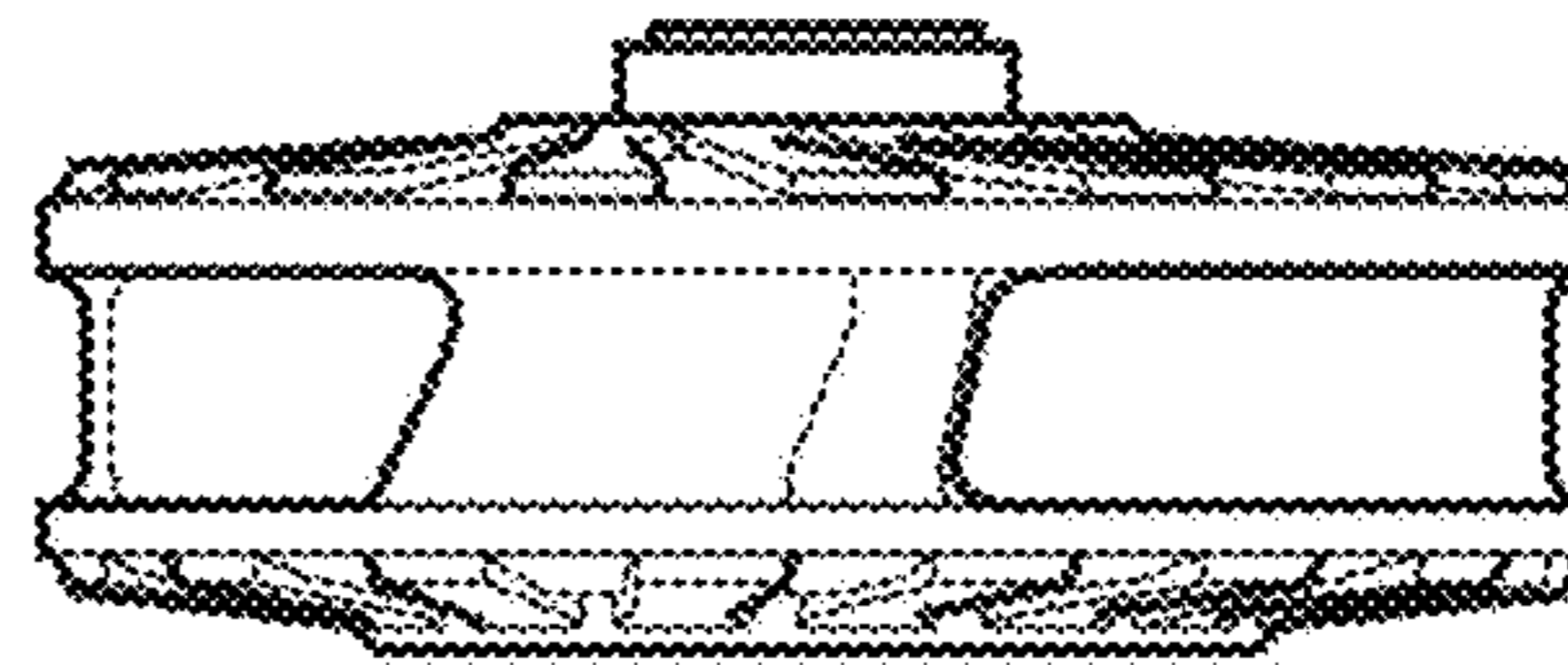


FIG 4

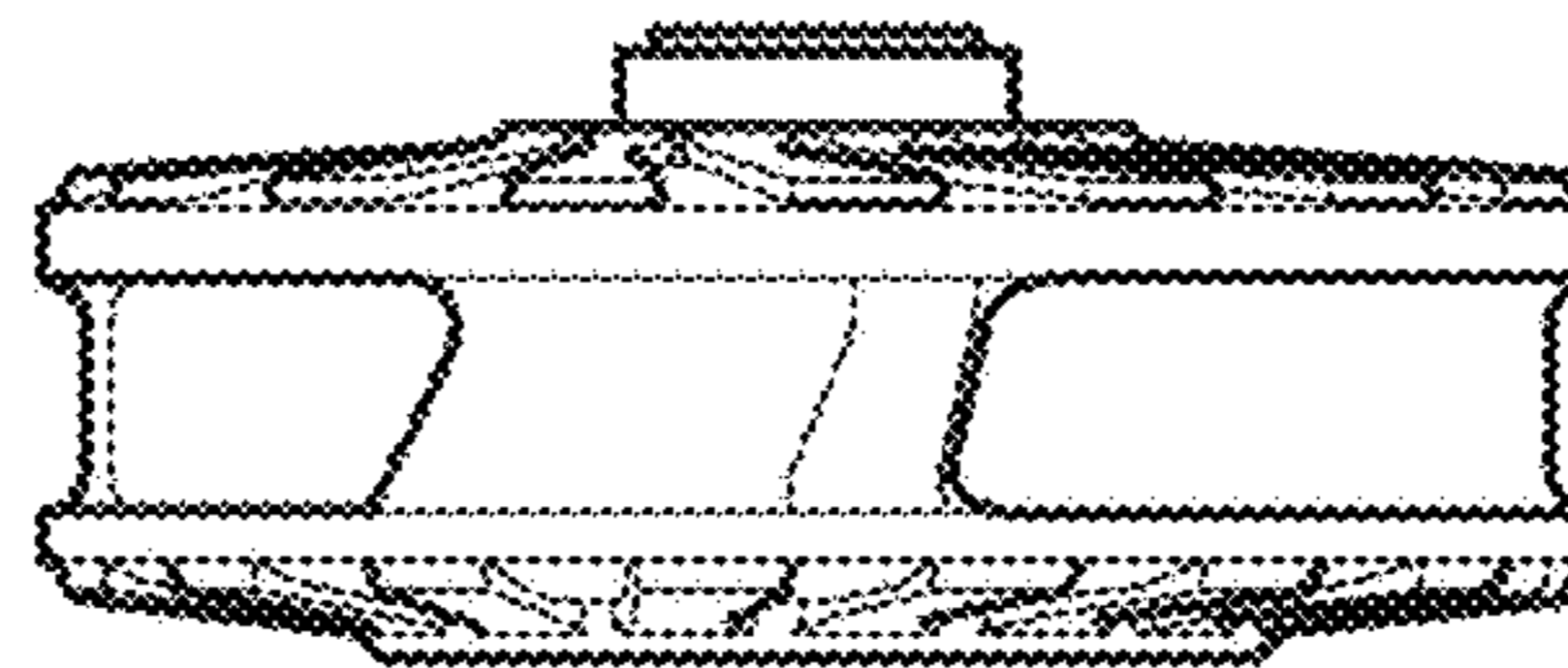


FIG 5

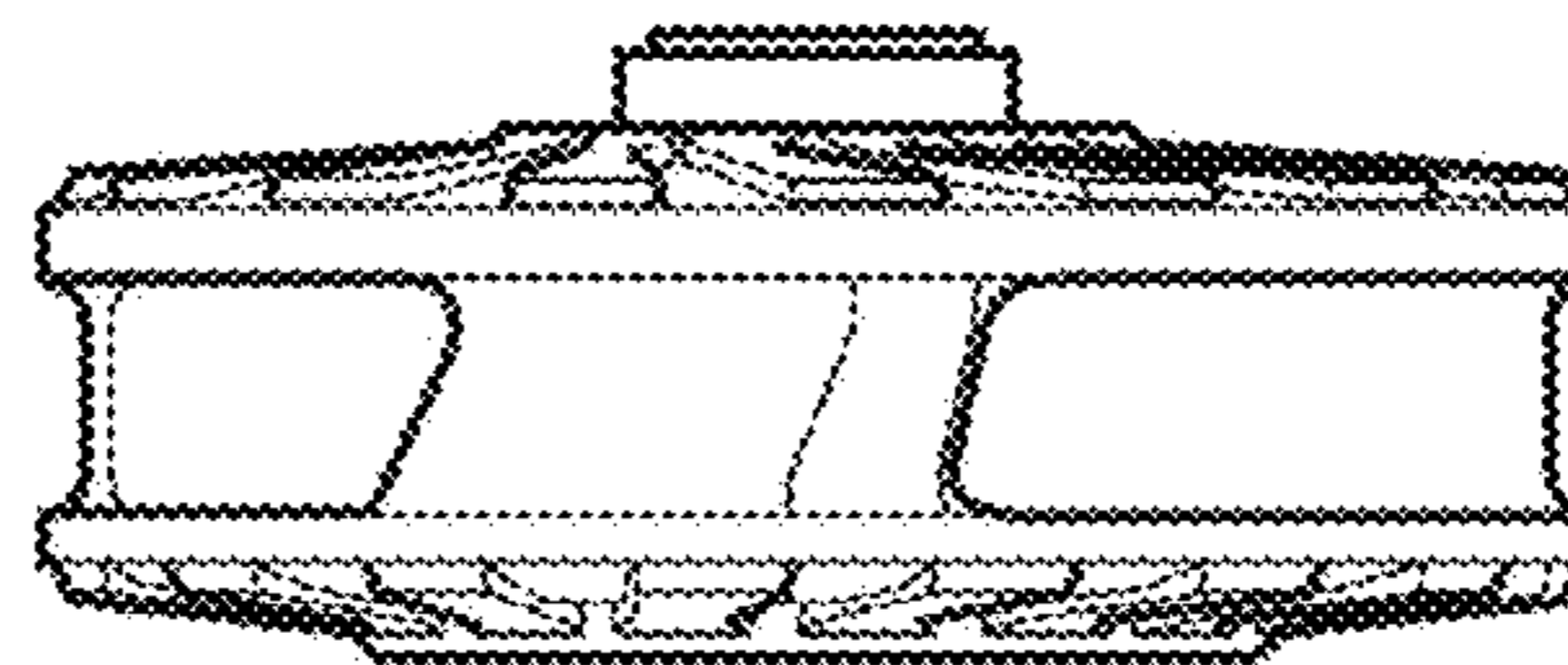


FIG 6

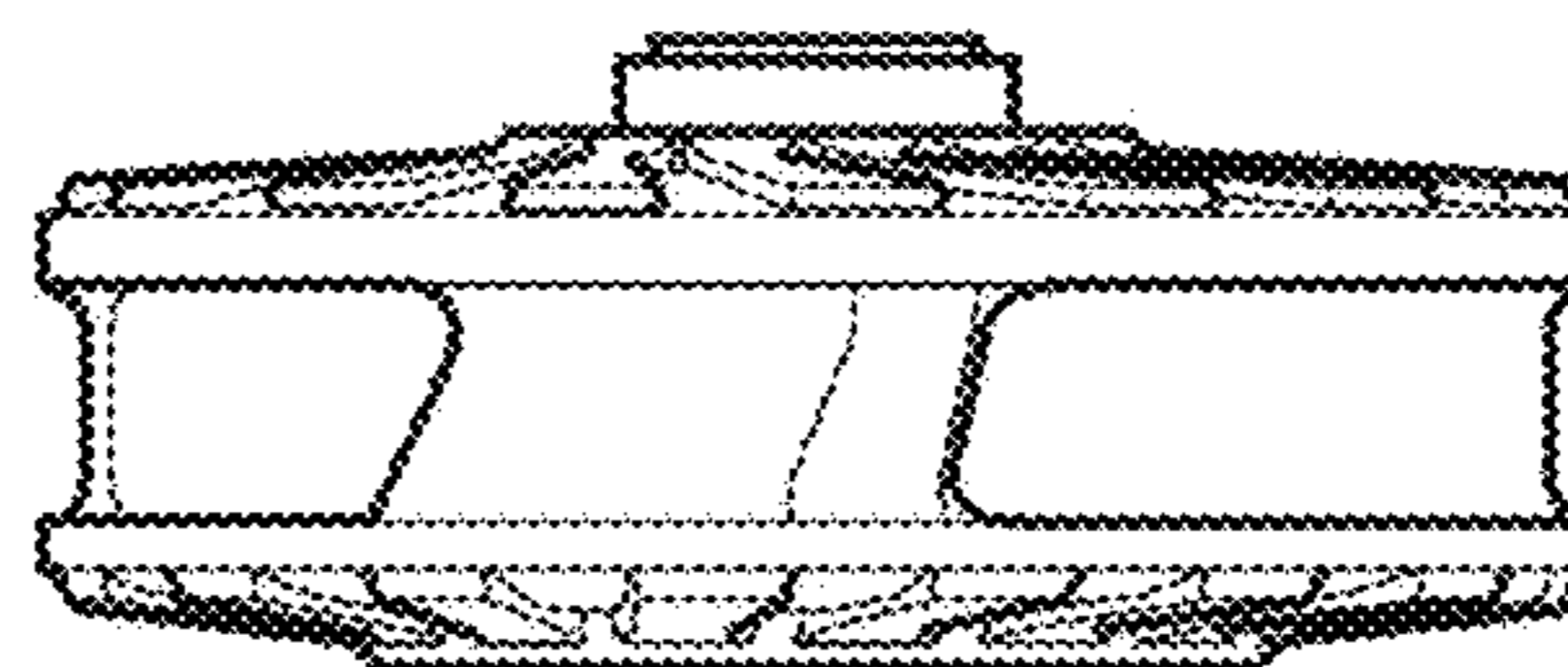


FIG 7