



US00D824959S

(12) **United States Design Patent**
Scarleski

(10) **Patent No.:** **US D824,959 S**

(45) **Date of Patent:** **** Aug. 7, 2018**

(54) **PUMP**

(71) Applicant: **LEVITATION SCIENCES LLC,**
Chicago, IL (US)

(72) Inventor: **William John Scarleski,** Chicago, IL
(US)

(73) Assignee: **LEVITATION SCIENCES LLC,**
Chicago, IL (US)

(**) Term: **15 Years**

(21) Appl. No.: **29/591,156**

(22) Filed: **Jan. 17, 2017**

(51) **LOC (11) Cl.** **15-02**

(52) **U.S. Cl.**
USPC **D15/7**

(58) **Field of Classification Search**
USPC D15/7-9; D23/231, 232, 225; 417/60,
417/235, 265, 321, 355, 358, 363, 359,
417/410.1, 415-416, 405, 900, 269, 539;
60/408, 412; 184/26-37; 415/140-147;
123/495, 509; 137/565.34
CPC F02M 37/04; F02M 37/14; F04B 53/92;
F04B 1/005; F04D 13/06; F04D 29/22;
F04D 29/046; F04D 29/2266
See application file for complete search history.

(56) **References Cited**

U.S. PATENT DOCUMENTS

D220,134 S * 3/1971 Stut D15/7
D223,250 S * 4/1972 Clinton D15/7

D487,752 S * 3/2004 Tsai D15/7
D498,480 S * 11/2004 Tsai D15/7
D534,187 S * 12/2006 Sato D15/9
D553,646 S * 10/2007 Wu D15/7
D558,233 S * 12/2007 Itani D15/7
D559,269 S * 1/2008 Wu D15/7
D623,301 S * 9/2010 Wung D24/167
D668,676 S * 10/2012 Ohm D15/7
D769,944 S * 10/2016 Sheedy D15/9
D804,536 S * 12/2017 Bao D15/7

* cited by examiner

Primary Examiner — Ralf Seifert

(74) *Attorney, Agent, or Firm* — Clark Hill PLC

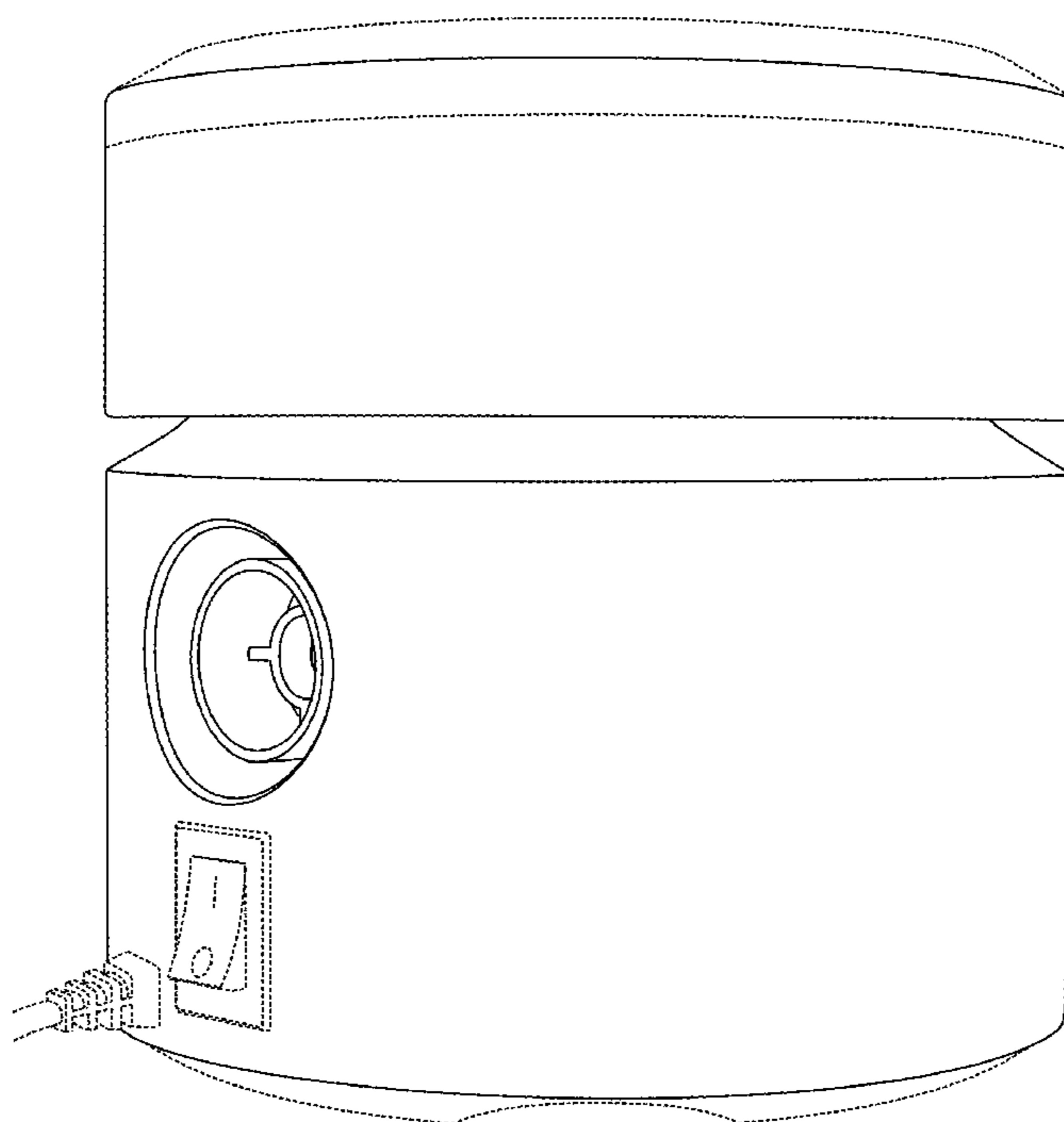
(57) **CLAIM**

The ornamental design for pump, as shown and described.

DESCRIPTION

FIG. 1 is an isometric view of the pump in accordance with the invention.
FIG. 2 is a front view of the pump illustrated in FIG. 1.
FIG. 3 is a view that represents the back and the sides of the pump illustrated in FIG. 1.
FIG. 4 is a bottom view of the pump illustrated in FIG. 1; and,
FIG. 5 is a top view of the pump illustrated in FIG. 1.
The broken lines shown in the figures are for illustrative purposes only and form no part of the claimed design.
My design is characterized by its two piece housing.

1 Claim, 5 Drawing Sheets



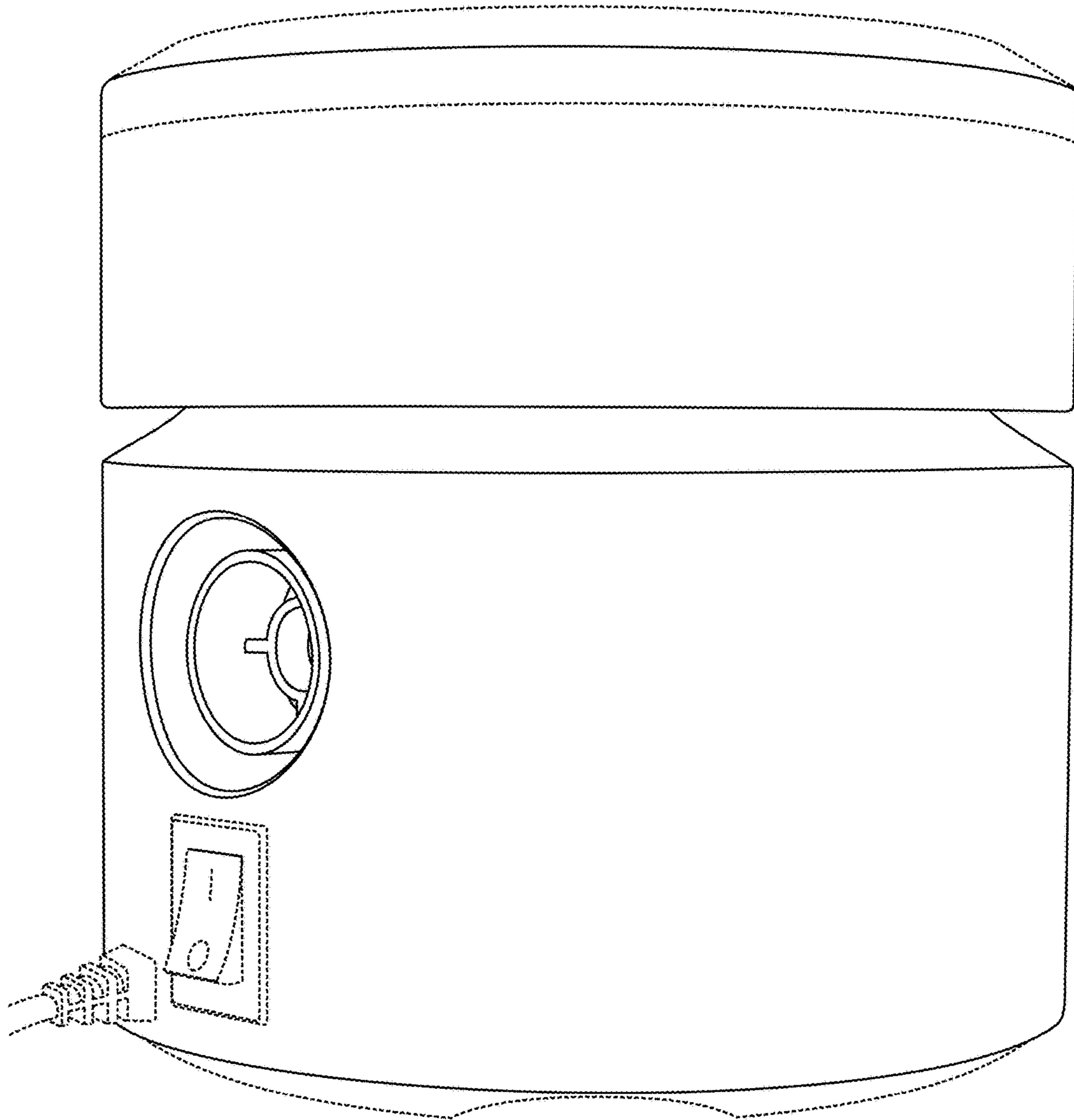


Fig. 1

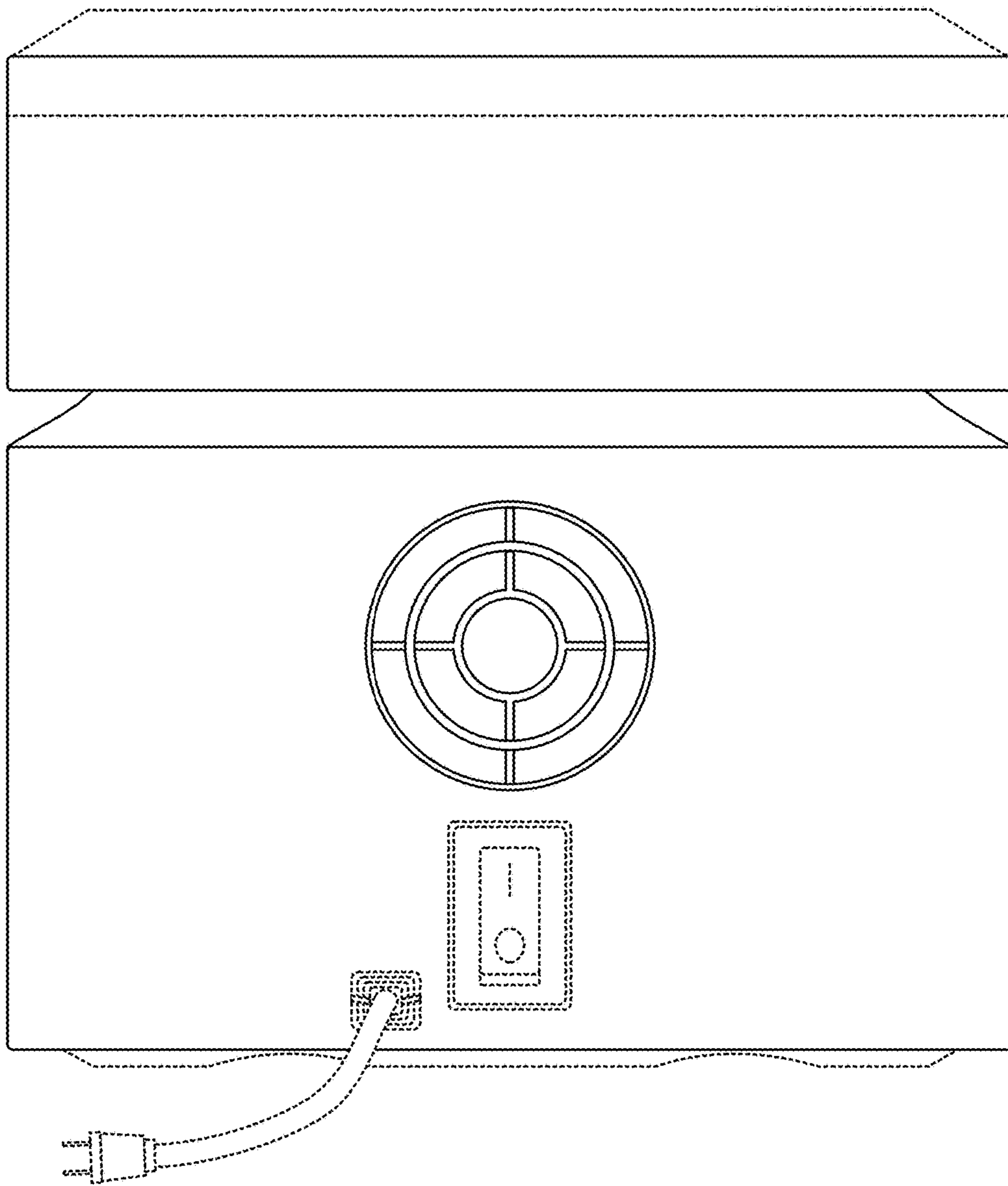


Fig. 2

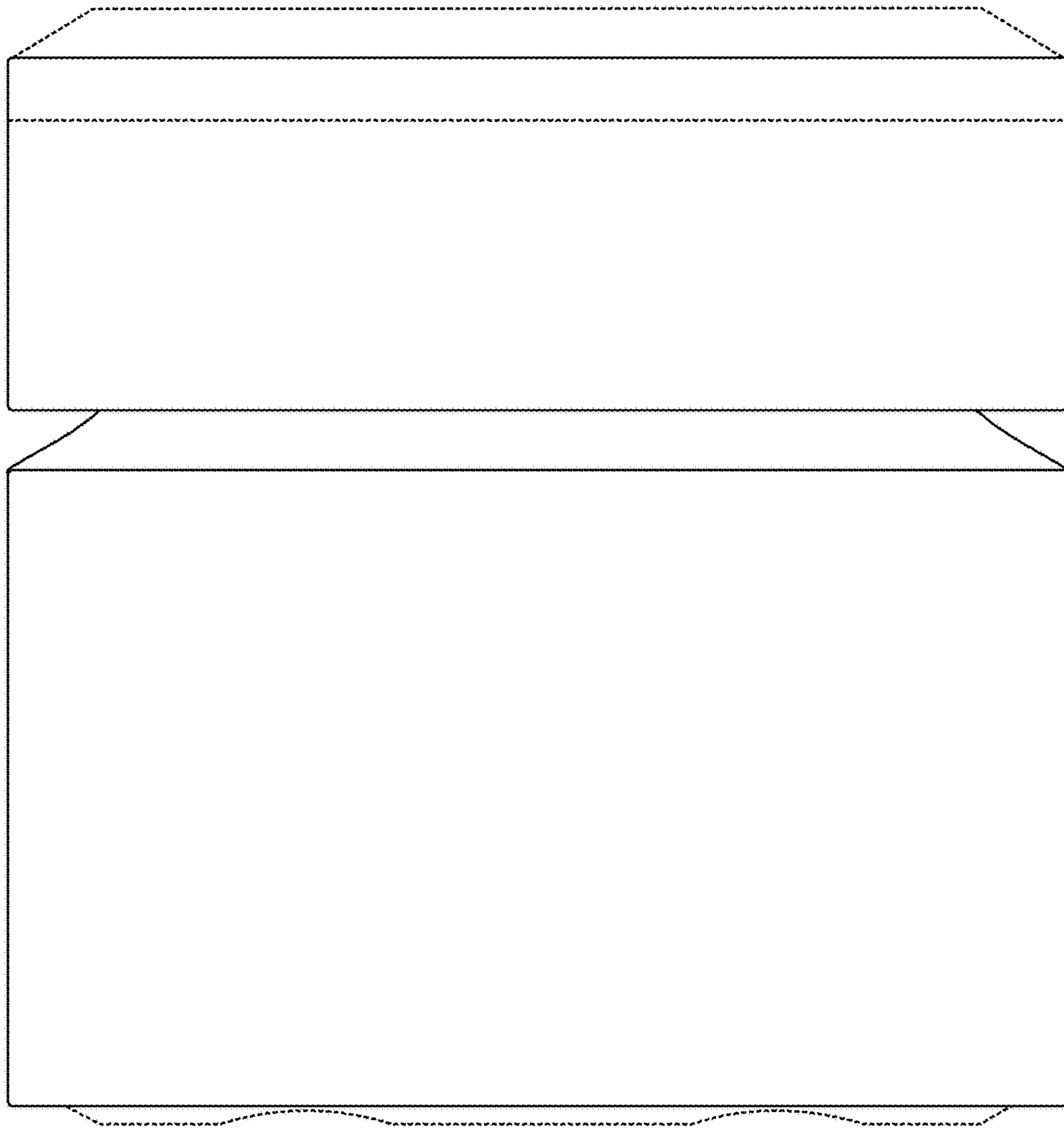


Fig. 3

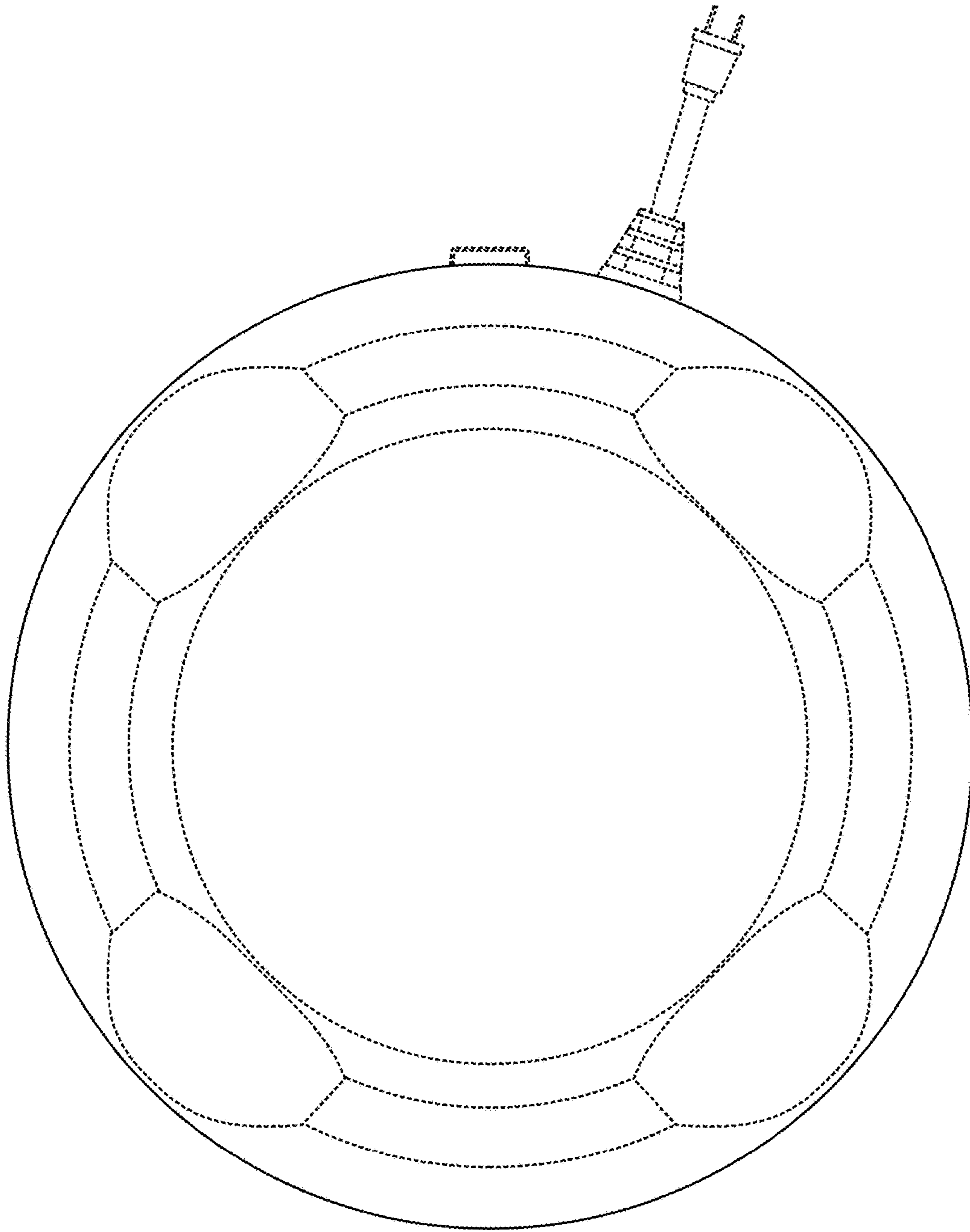


Fig. 4

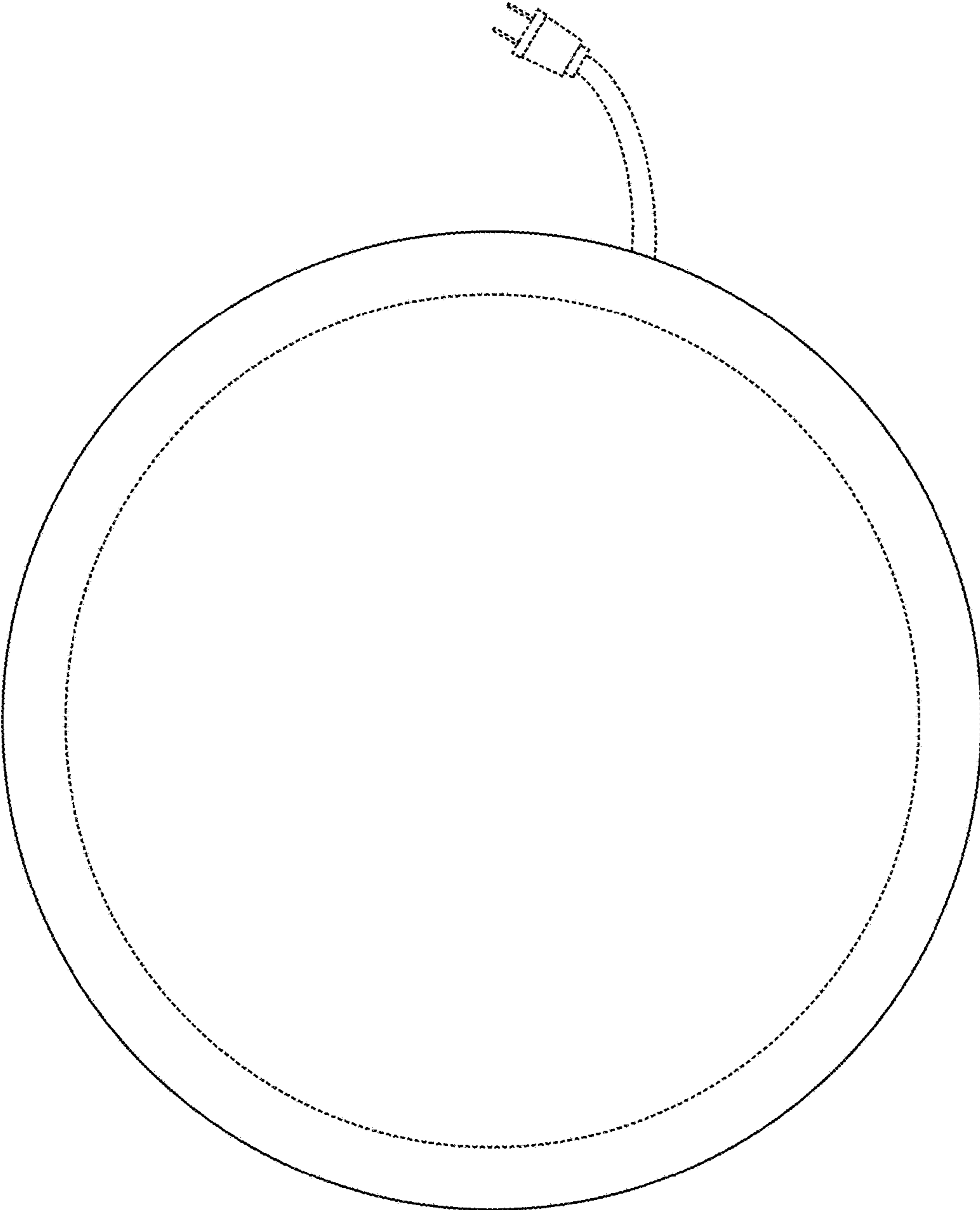


Fig. 5