



US00D824958S

(12) **United States Design Patent**  
**Akamine**

(10) **Patent No.:** **US D824,958 S**

(45) **Date of Patent:** **\*\* Aug. 7, 2018**

(54) **INTERNAL-COMBUSTION ENGINE**

(71) Applicant: **Honda Motor Co., Ltd.**, Tokyo (JP)

(72) Inventor: **Yuko Akamine**, Wako (JP)

(73) Assignee: **HONDA MOTOR CO., LTD.**, Tokyo (JP)

(\*\*) Term: **15 Years**

(21) Appl. No.: **29/571,097**

(22) Filed: **Jul. 14, 2016**

(30) **Foreign Application Priority Data**

Jan. 15, 2016 (JP) ..... 2016-000670

(51) **LOC (11) Cl.** ..... **15-01**

(52) **U.S. Cl.**  
USPC ..... **D15/5**

(58) **Field of Classification Search**

USPC ..... D15/1-6

CPC ..... F01P 5/02; F01P 1/02; F02M 35/1017;

F02M 35/024; F02B 75/007

See application file for complete search history.

(56) **References Cited**

**U.S. PATENT DOCUMENTS**

|           |   |   |         |            |       |              |
|-----------|---|---|---------|------------|-------|--------------|
| D282,071  | S | * | 1/1986  | Nakamura   | ..... | D15/1        |
| 4,813,385 | A | * | 3/1989  | Yamaguchi  | ..... | B01D 46/0024 |
|           |   |   |         |            |       | 123/2        |
| D515,589  | S | * | 2/2006  | Lin        | ..... | D15/1        |
| D516,580  | S | * | 3/2006  | Li         | ..... | D15/1        |
| D529,046  | S | * | 9/2006  | Maeda      | ..... | D15/1        |
| D529,514  | S | * | 10/2006 | Maeda      | ..... | D15/5        |
| D552,128  | S | * | 10/2007 | Li         | ..... | D15/1        |
| D576,638  | S | * | 9/2008  | Busschaert | ..... | D15/1        |
| D579,026  | S | * | 10/2008 | Busschaert | ..... | D15/1        |
| D595,737  | S | * | 7/2009  | Neeley     | ..... | D15/1        |

(Continued)

*Primary Examiner* — T. Chase Nelson

*Assistant Examiner* — Ania Aman

(74) *Attorney, Agent, or Firm* — Westerman, Hattori, Daniels & Adrian, LLP

(57) **CLAIM**

The ornamental design for an internal-combustion engine, as shown and described.

**DESCRIPTION**

FIG. 1 is a front-right perspective view of an internal-combustion engine with non-claimed environmental structure shown in dashed lines;

FIG. 2 is a back-left perspective view thereof;

FIG. 3 is a front-left perspective view thereof;

FIG. 4 is a back-right perspective view thereof;

FIG. 5 is a front elevation view thereof;

FIG. 6 is a top plan view thereof;

FIG. 7 is a bottom plan thereof;

FIG. 8 is a right side elevation view thereof;

FIG. 9 is a left side elevation view thereof;

FIG. 10 is a back-right auxiliary view, free of non-claimed environmental structure, of the internal-combustion engine;

FIG. 11 is a front elevation auxiliary view of the internal-combustion engine;

FIG. 12 is a rear elevation auxiliary view of the internal-combustion engine;

FIG. 13 is a top plan auxiliary view of the internal-combustion engine;

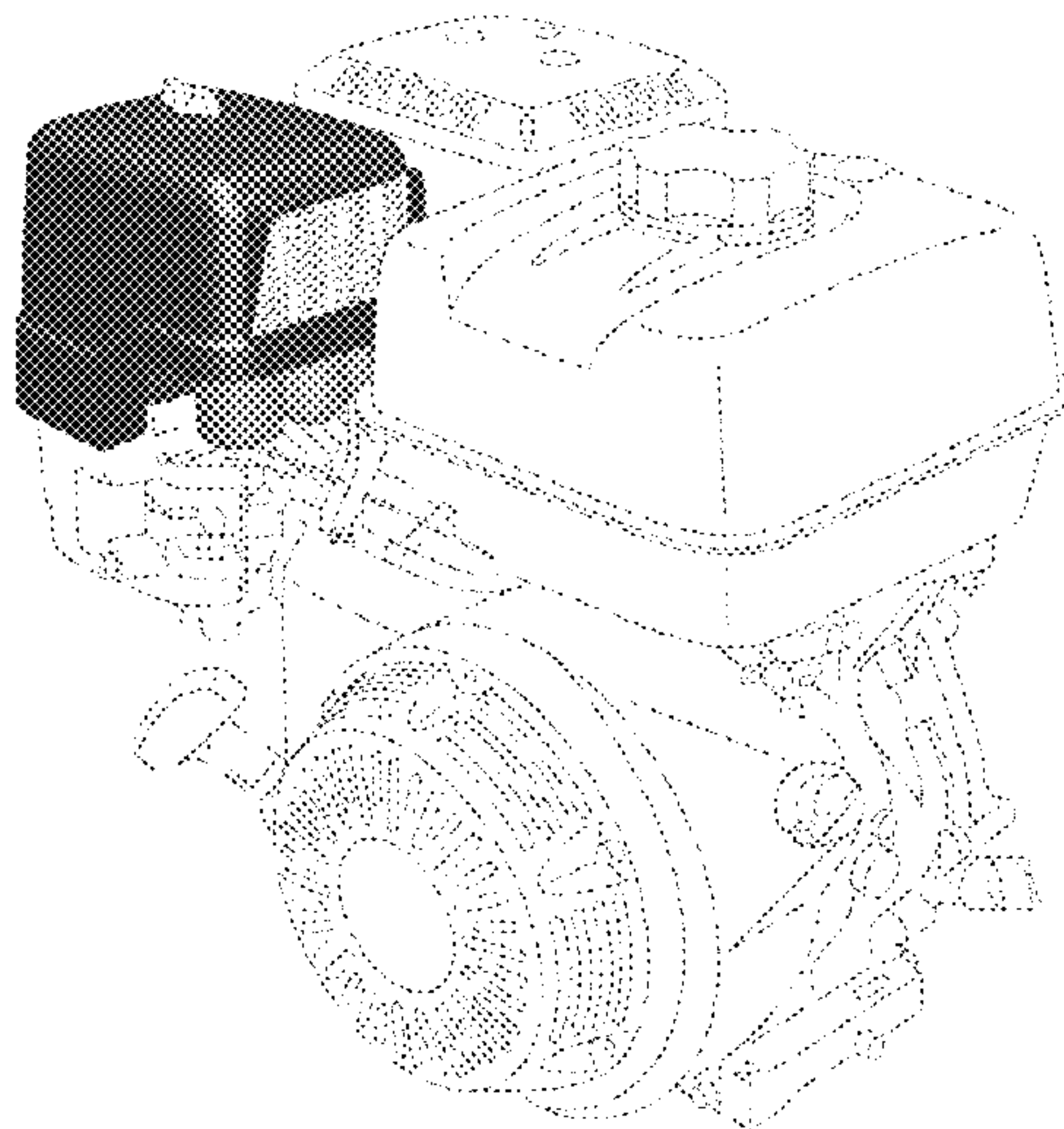
FIG. 14 is a bottom plan auxiliary view of the internal-combustion engine;

FIG. 15 is a right side auxiliary view of the internal-combustion engine; and,

FIG. 16 is a left side auxiliary view of the internal-combustion engine.

The broken lines in the drawings illustrate portions of the internal-combustion engine that forms no part of the claimed design.

**1 Claim, 16 Drawing Sheets**



(56)

**References Cited**

U.S. PATENT DOCUMENTS

7,993,424 B2 \* 8/2011 Takeuchi ..... F02M 35/024  
123/198 E  
8,025,707 B2 \* 9/2011 Furuya ..... B01D 46/06  
123/198 E  
D689,522 S \* 9/2013 Johnson ..... D15/1  
D751,118 S \* 3/2016 Suzuki ..... D15/1  
D771,143 S \* 11/2016 Yu ..... D15/1  
2003/0057016 A1 \* 3/2003 Schlossarczyk ..... F01N 1/089  
181/283  
2009/0126678 A1 \* 5/2009 Takeuchi ..... F02M 35/1017  
123/198 E  
2009/0183709 A1 \* 7/2009 Kubo ..... F02M 35/024  
123/198 E

\* cited by examiner

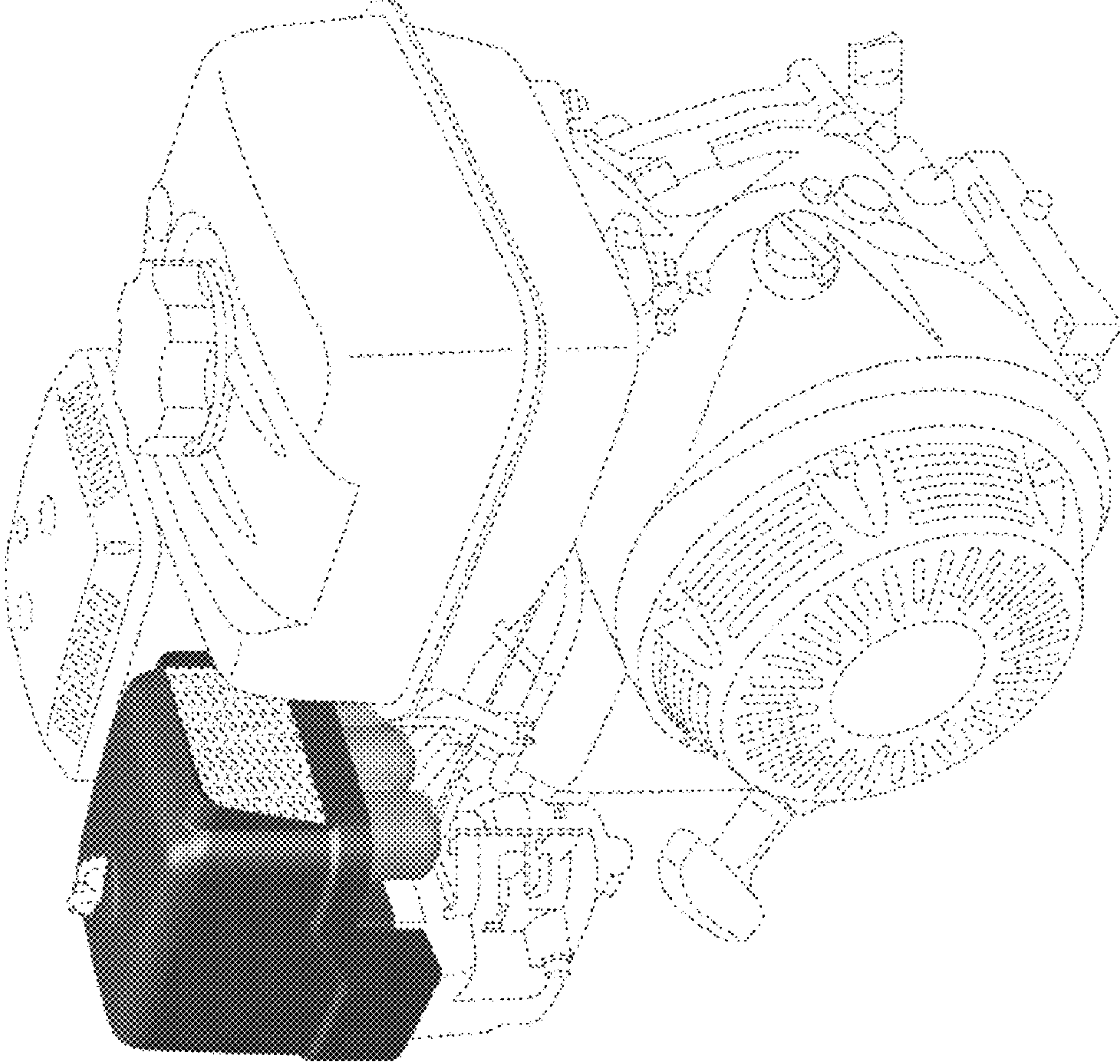


Fig. 1



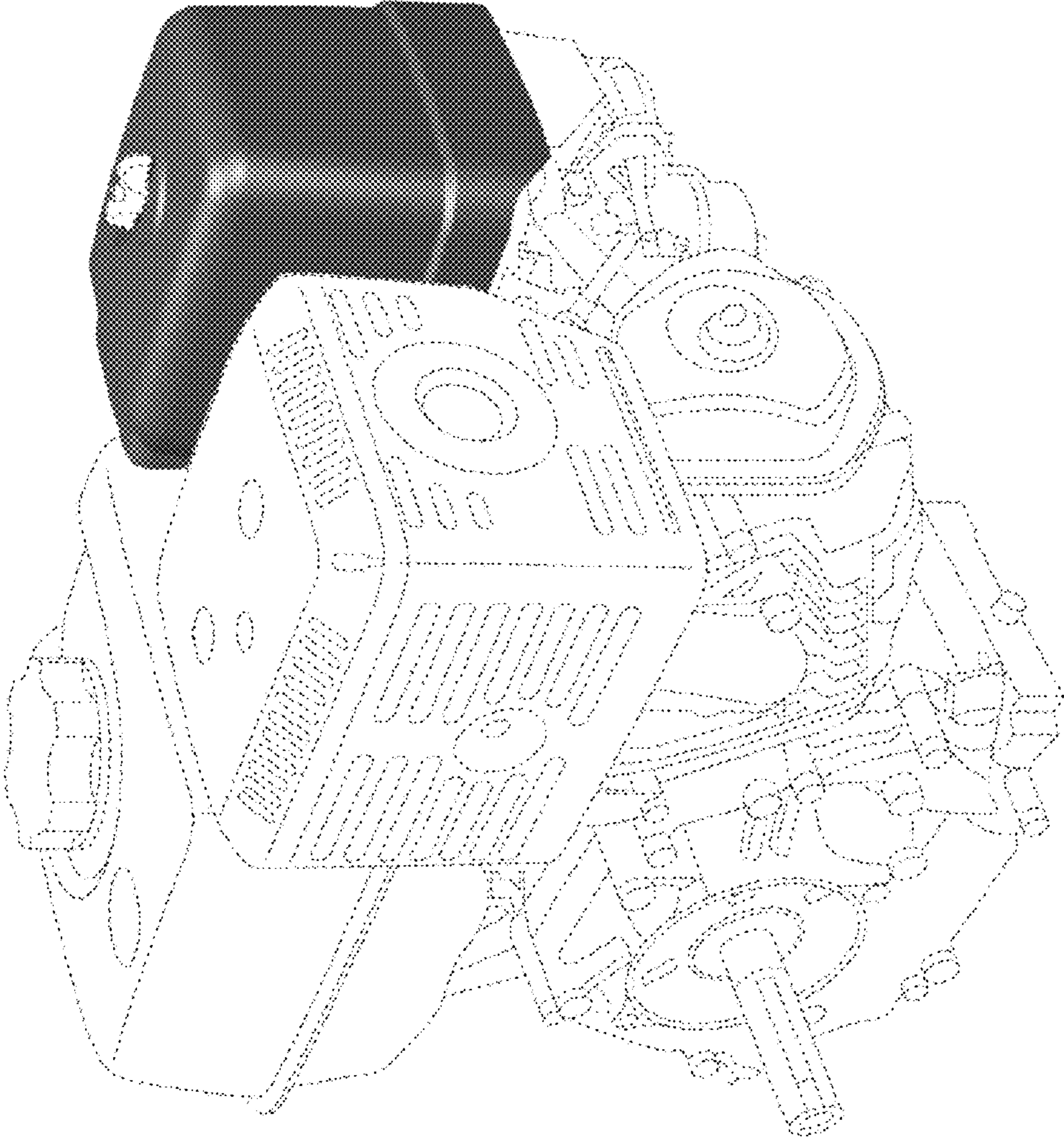


Fig. 2

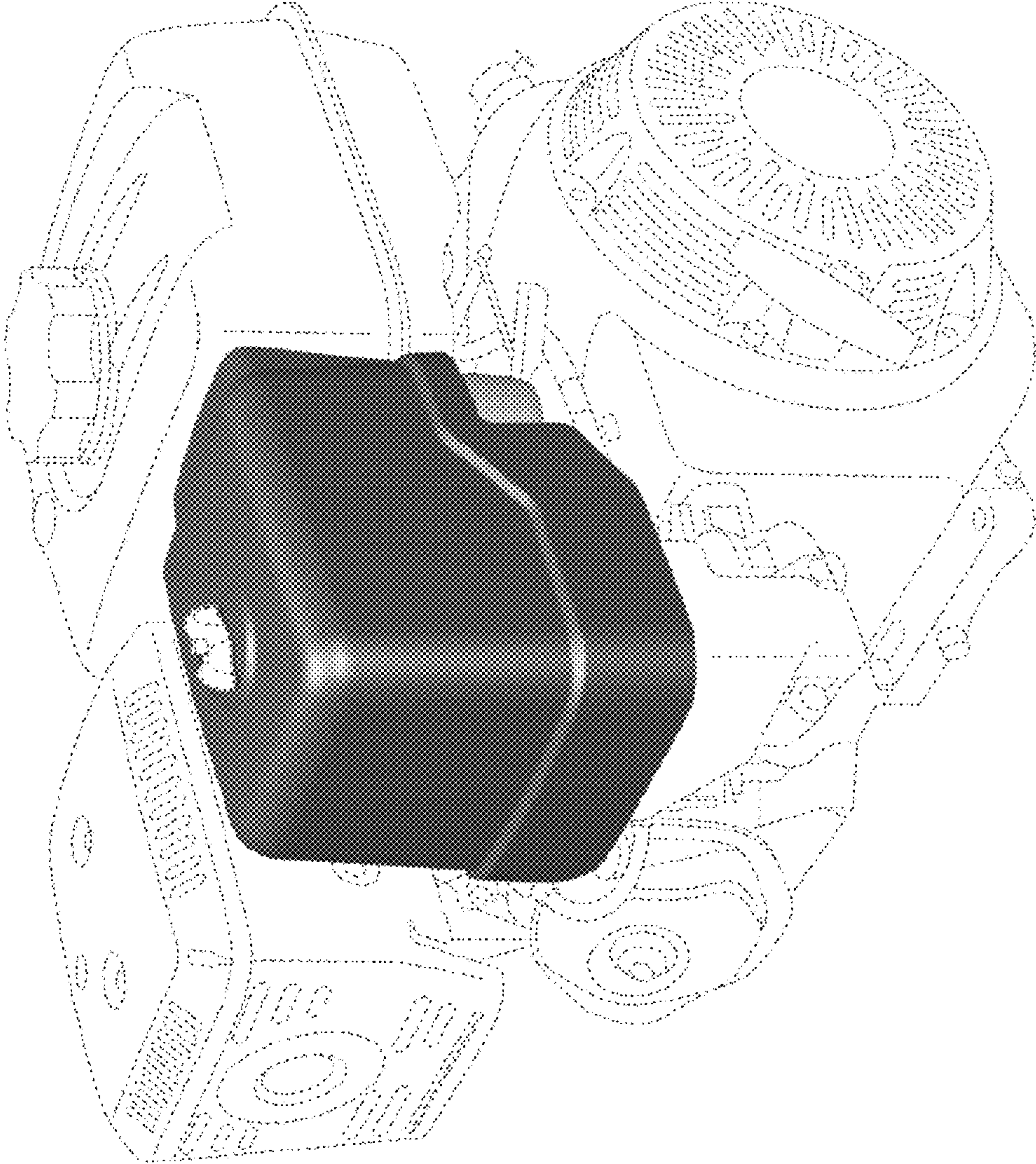


Fig. 3

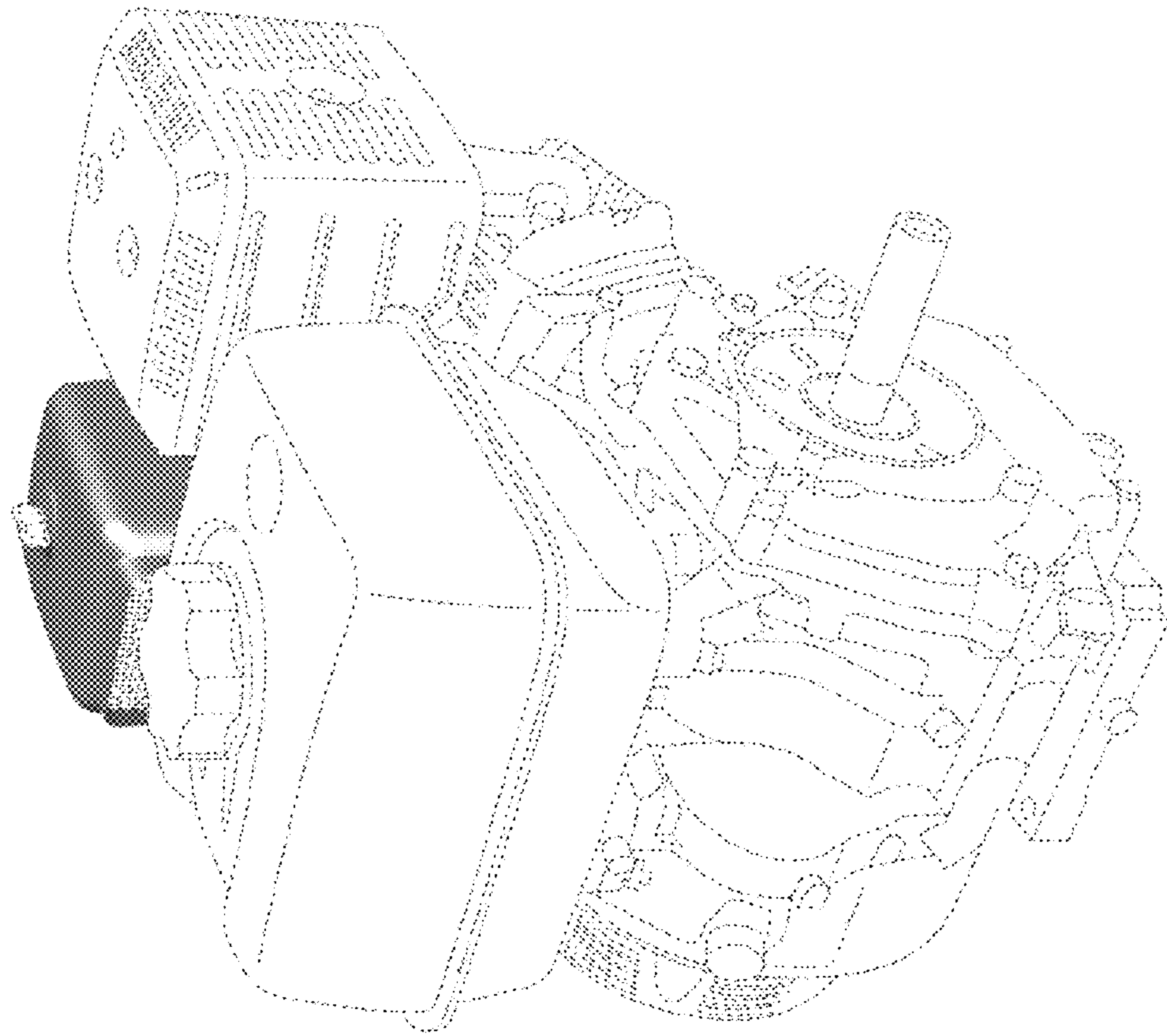


Fig. 4



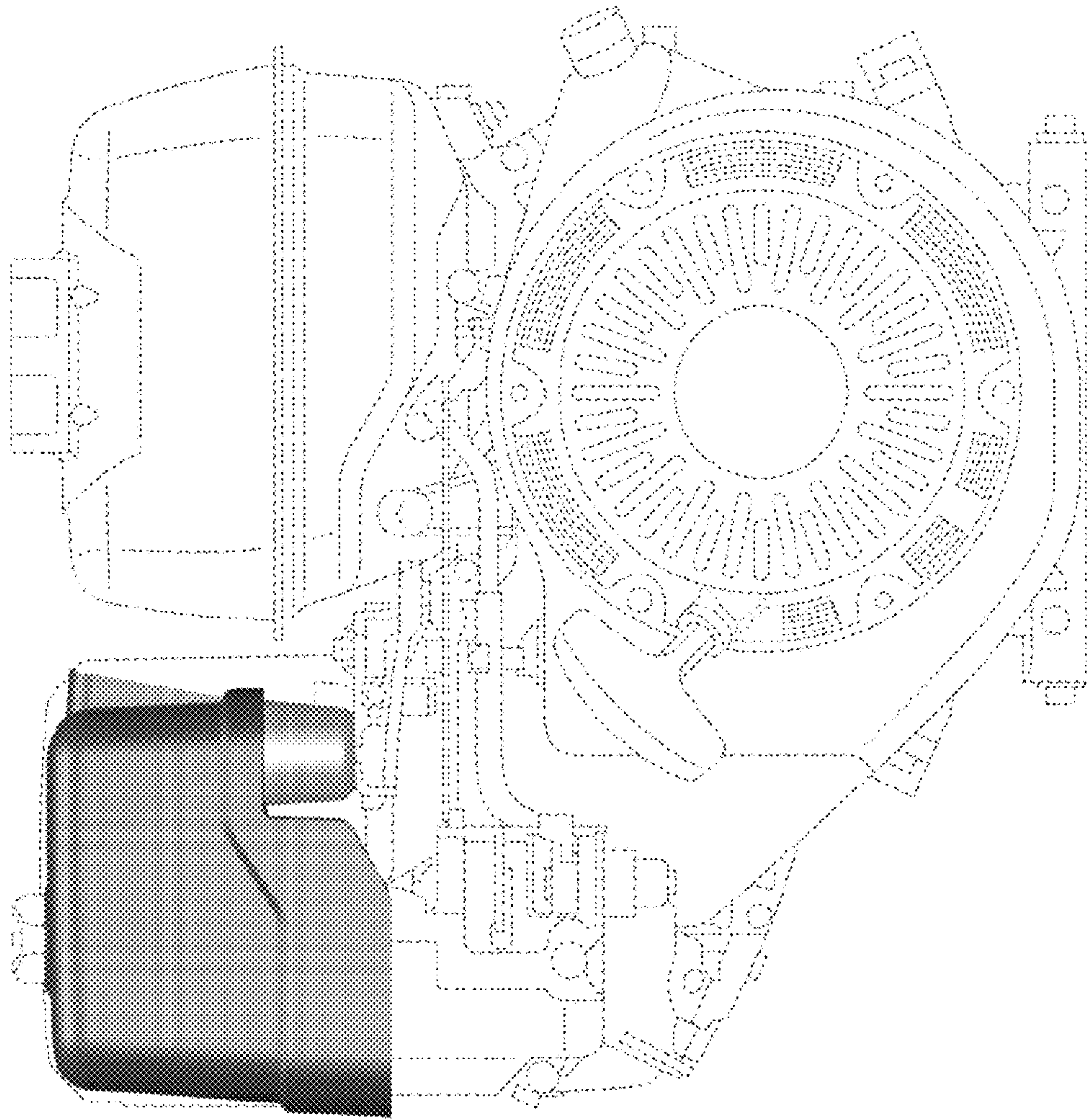


Fig. 5

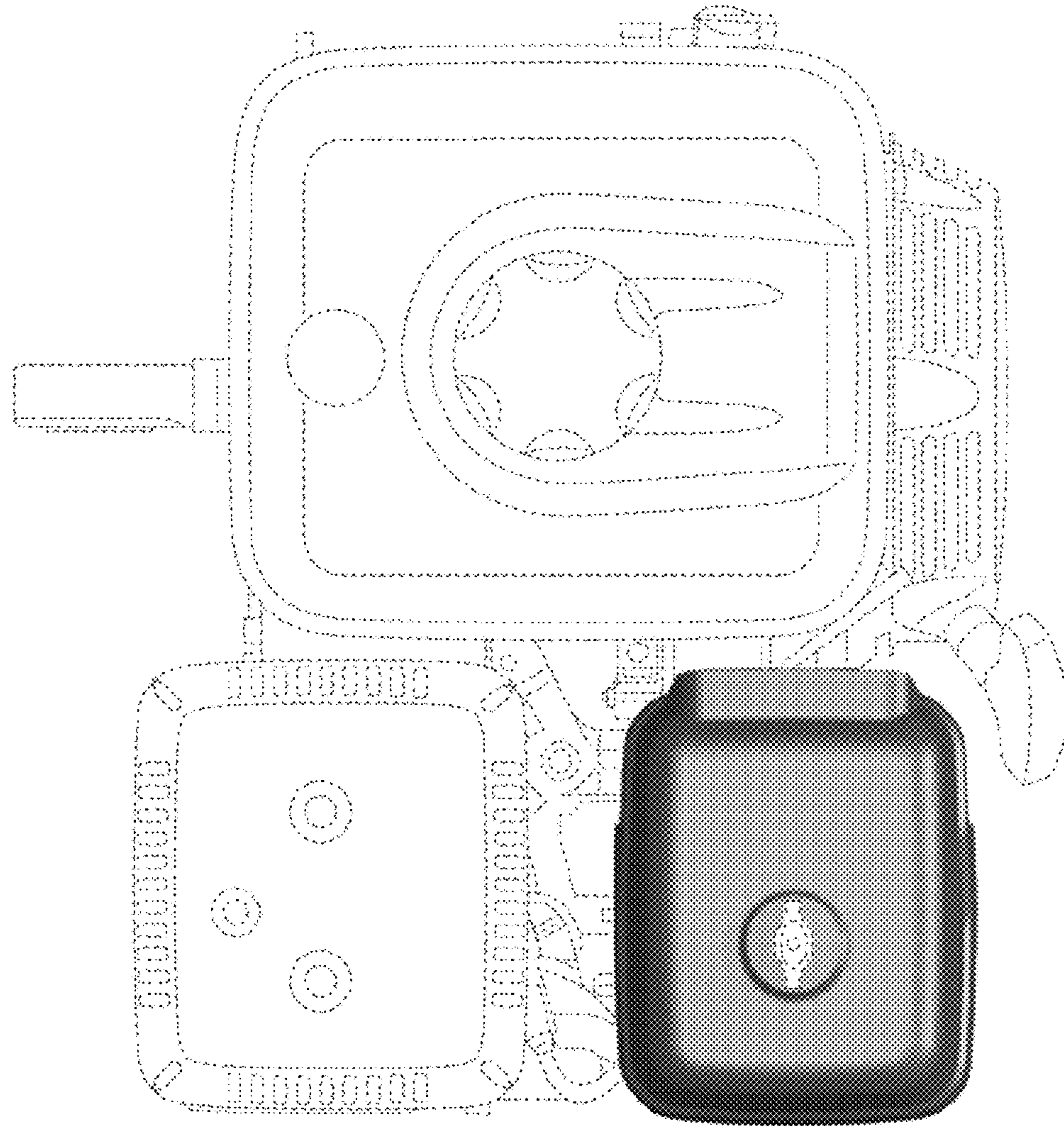


Fig. 6



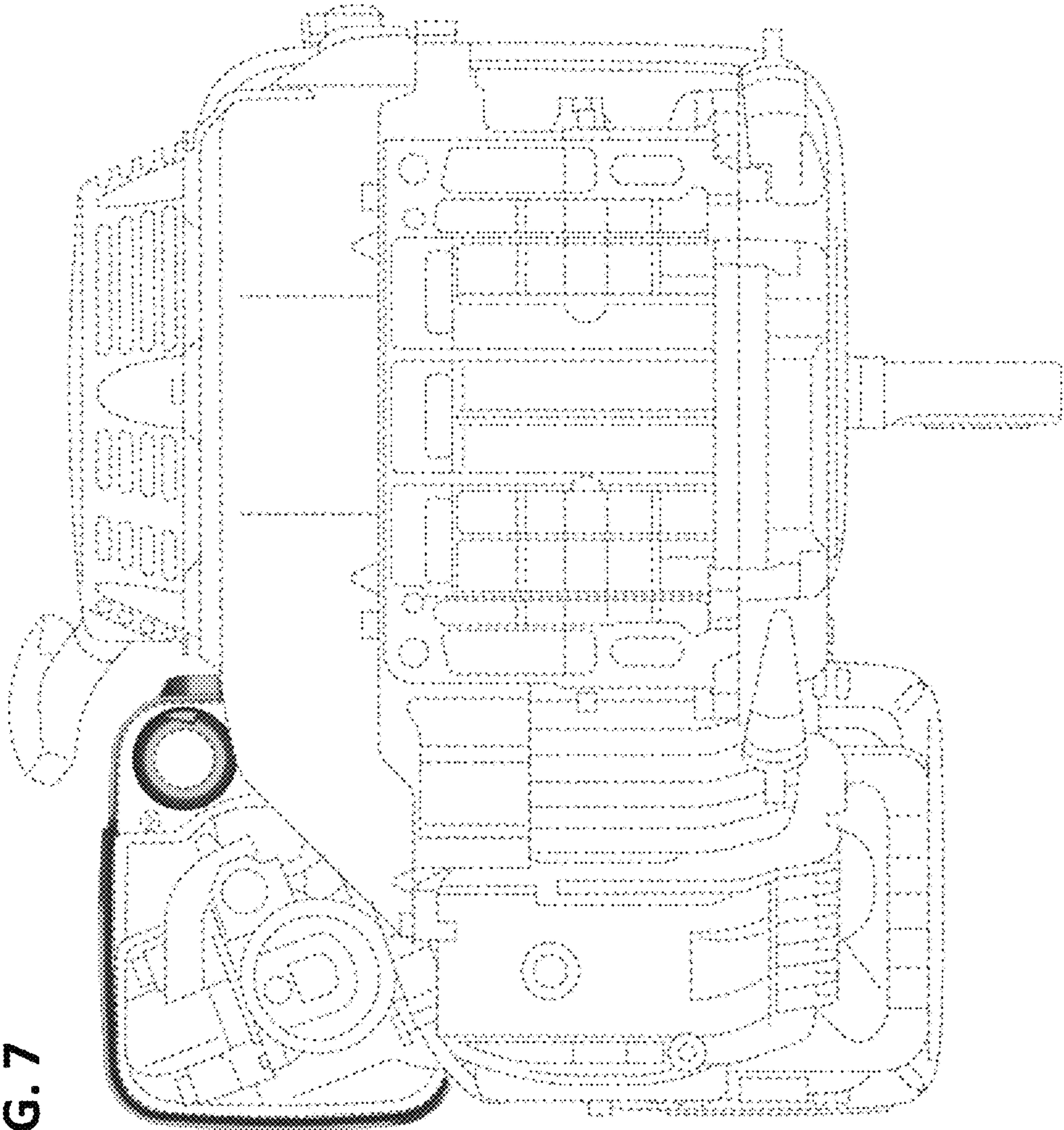


FIG. 7

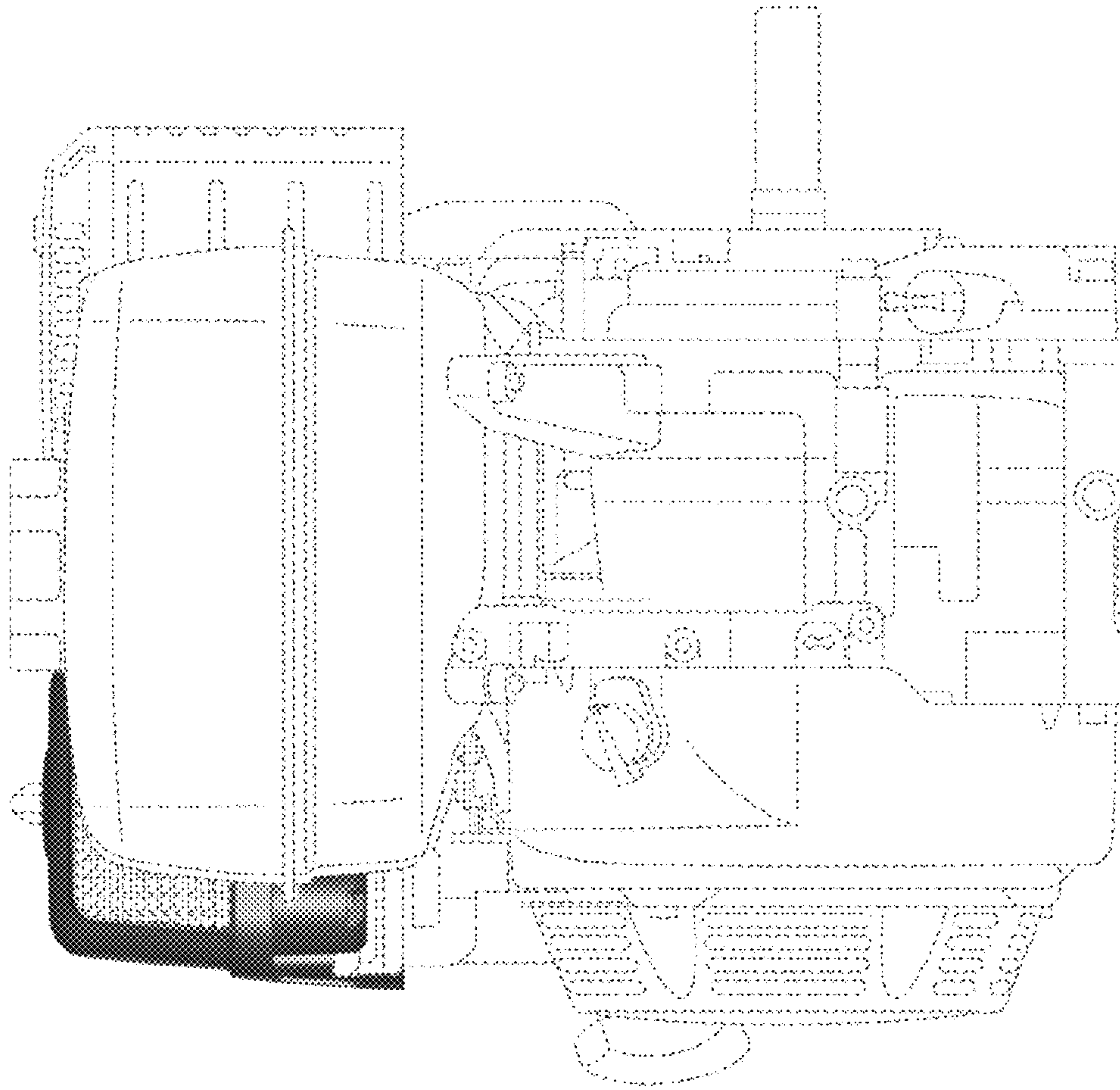


Fig. 8

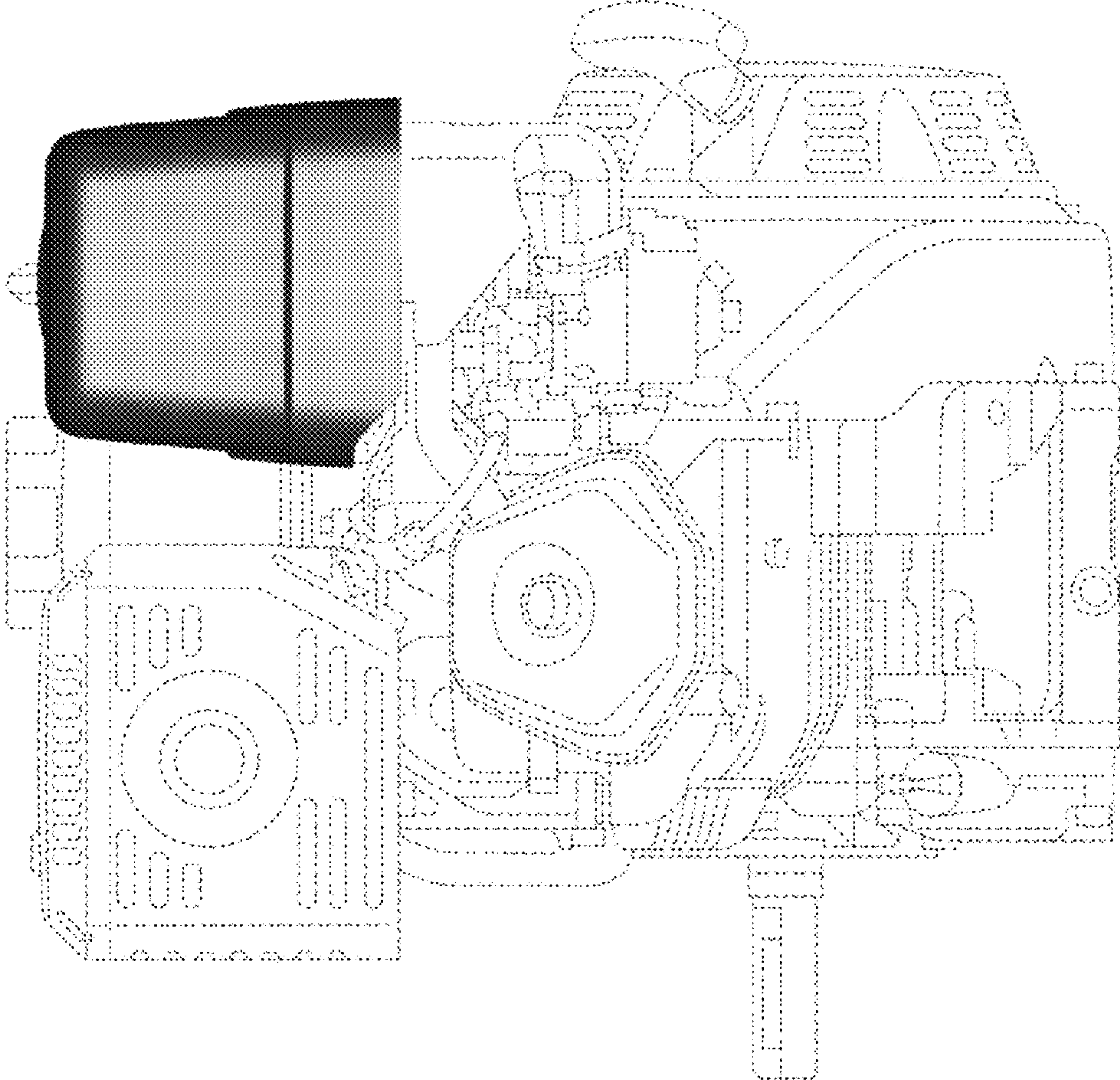


Fig. 9



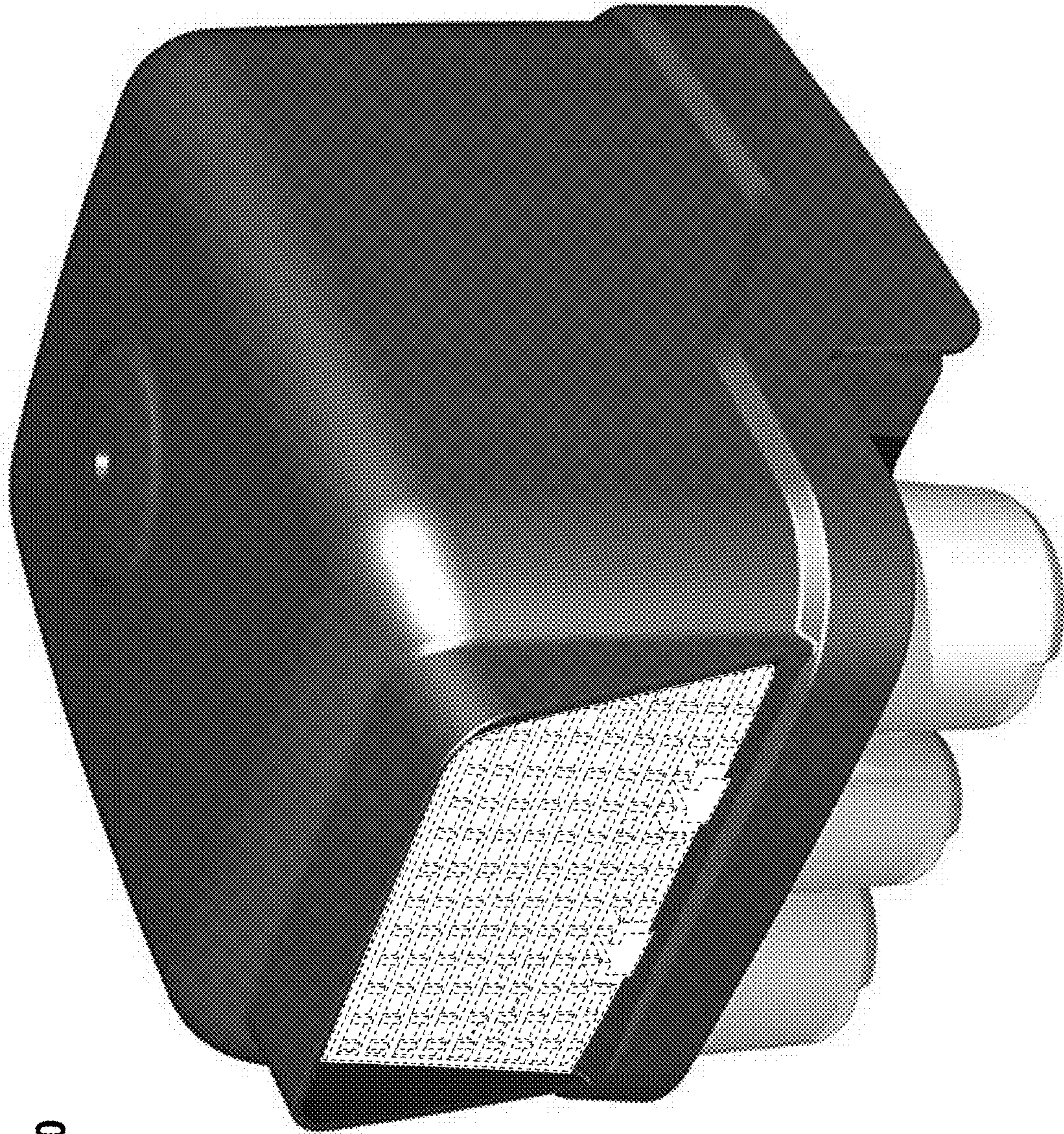


Fig. 10



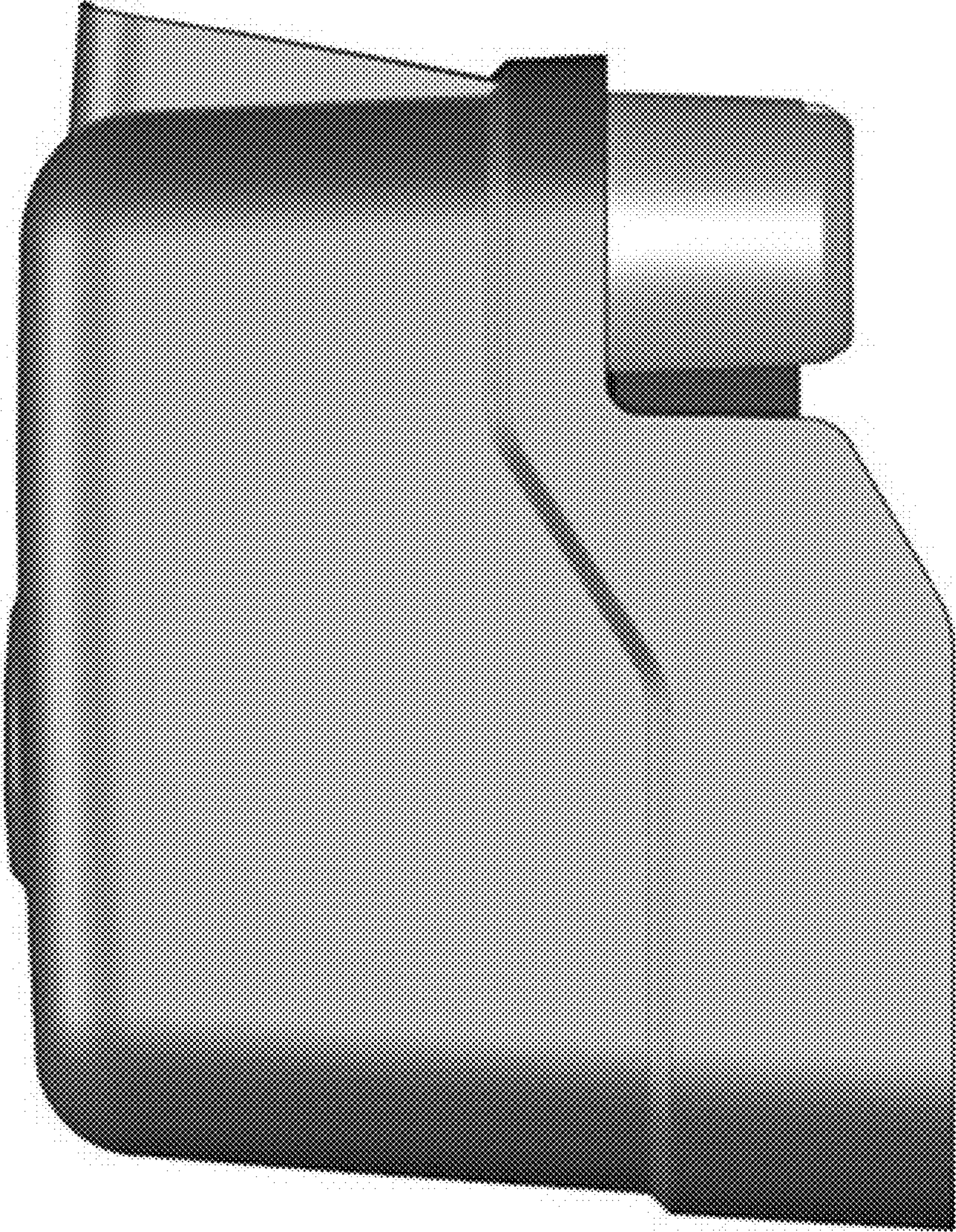


Fig. 11



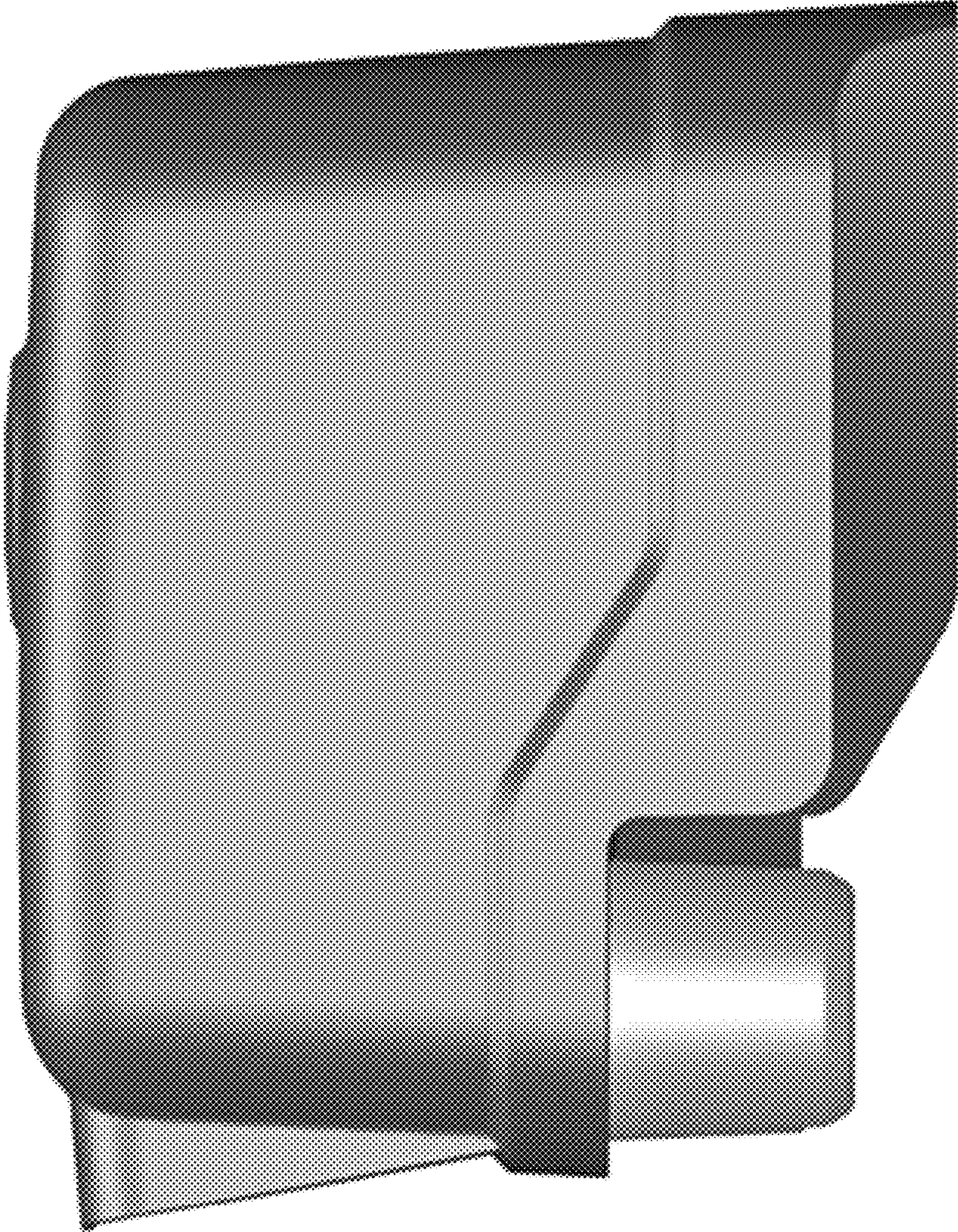


Fig. 12





Fig. 13



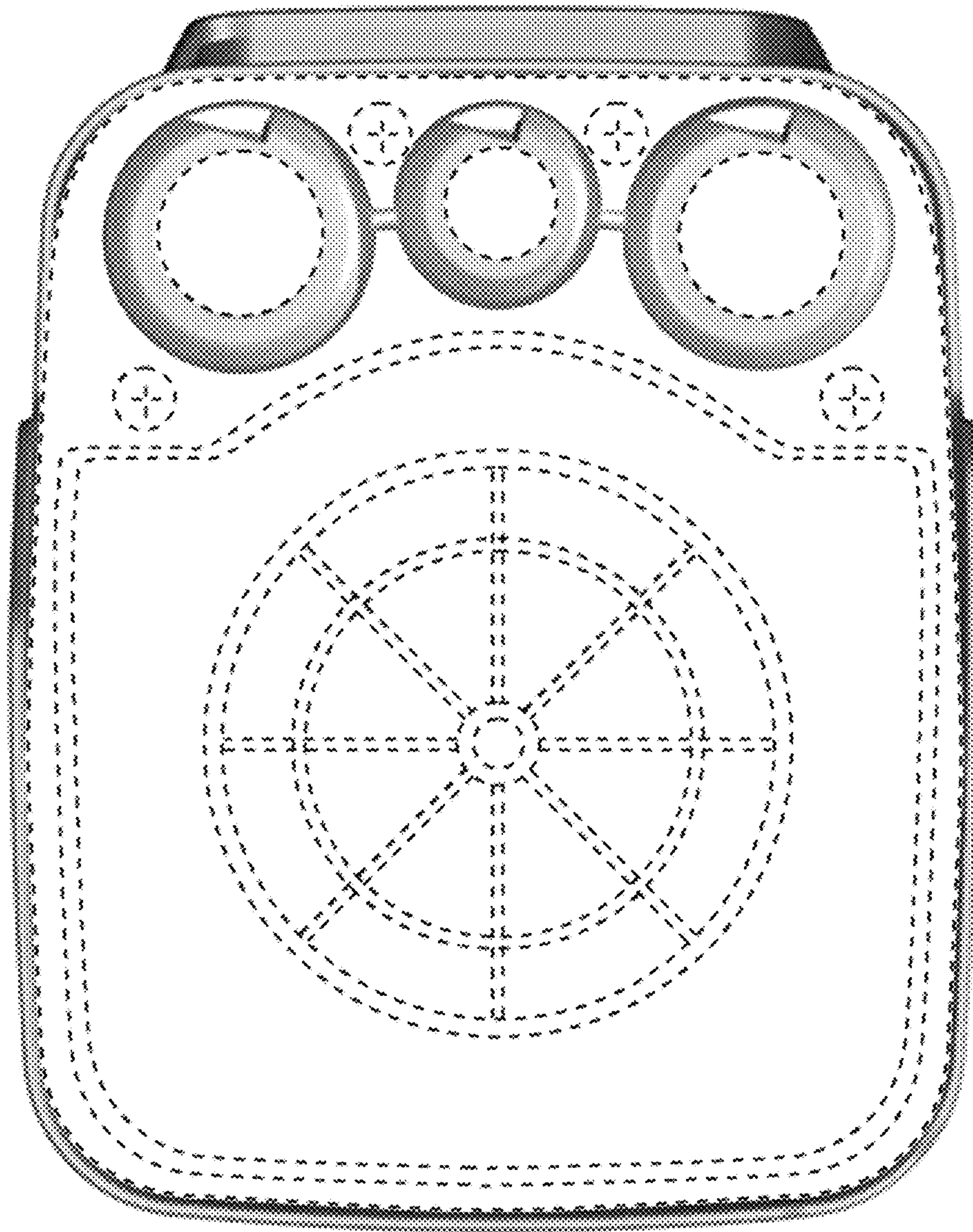


FIG. 14





Fig. 15



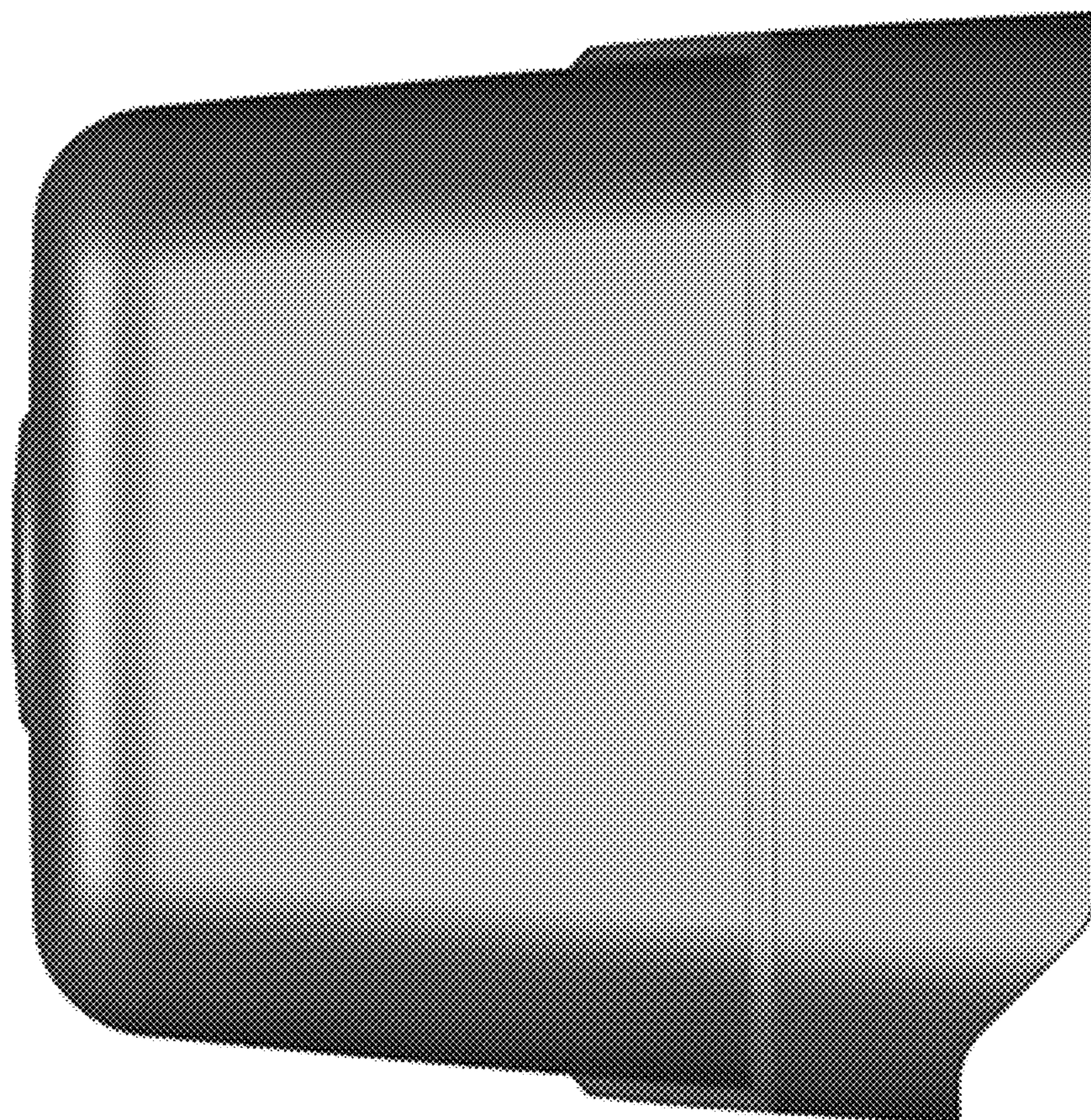


Fig. 16