



US00D824957S

(12) **United States Design Patent** (10) **Patent No.:** **US D824,957 S**  
**Seo et al.** (45) **Date of Patent:** **\*\* Aug. 7, 2018**

(54) **DISPLAY SCREEN OR PORTION THEREOF WITH ICON**

(71) Applicant: **Samsung Electronics Co., Ltd.**, Suwon-si (KR)

(72) Inventors: **Jiu Seo**, Bucheon-si (KR); **Jinseon Jang**, Suwon-si (KR); **Hoik Hwang**, Hwaseong-si (KR)

(73) Assignee: **Samsung Electronics Co., Ltd.**, Suwon-si (KR)

D676,865 S *	2/2013	Phelan	.....	D14/487
D676,868 S *	2/2013	Wagner	.....	D14/489
D677,278 S *	3/2013	Wujcik	.....	D14/491
D680,551 S *	4/2013	Ishii	.....	D14/491
D683,756 S *	6/2013	Phelan	.....	D14/489
D684,182 S *	6/2013	Phelan	.....	D14/489
D695,307 S *	12/2013	Wu	.....	D14/491
D697,531 S *	1/2014	Phelan	.....	D14/489
D726,763 S *	4/2015	Moon	.....	D14/492
D730,938 S *	6/2015	Ma	.....	D14/491
D732,048 S *	6/2015	Nix	.....	D14/485
D749,632 S *	2/2016	Park	.....	D14/489
D768,687 S *	10/2016	Bae	.....	D14/486

(Continued)

(\*\*) Term: **15 Years**

**FOREIGN PATENT DOCUMENTS**

(21) Appl. No.: **29/589,585**

CN 201530275870 1/2016

(22) Filed: **Jan. 3, 2017**

**OTHER PUBLICATIONS**

(30) **Foreign Application Priority Data**

Jul. 22, 2016 (KR) ..... 30-2016-0035947

Latysheva, Oksana, "Switch Camera" Jan. 18, 2017, Noun Project, site visited Mar. 5, 2018: <https://thenounproject.com/term/switch-camera/817311/>.\*

(51) **LOC (11) Cl.** ..... **14-04**

(Continued)

(52) **U.S. Cl.**  
USPC ..... **D14/491**

(58) **Field of Classification Search**  
USPC ..... D14/485-495  
CPC .... G06F 3/048; G06F 3/0481; G06F 3/04817;  
G06F 3/0482; G06F 3/0483; G06F  
3/04842; G06F 3/0485; G06F 3/04855;  
G06F 3/0486; G06F 3/0488; G06F  
3/04886; G06F 9/4443; G06F 17/211;  
G06F 17/212

See application file for complete search history.

*Primary Examiner* — Kevin K Rudzinski  
*Assistant Examiner* — Jack Reickel  
(74) *Attorney, Agent, or Firm* — NSIP Law

(56) **References Cited**

**U.S. PATENT DOCUMENTS**

D650,796 S *	12/2011	Rincover	.....	D14/492
D667,452 S *	9/2012	Wujcik	.....	D14/491
D667,457 S *	9/2012	Wujcik	.....	D14/492

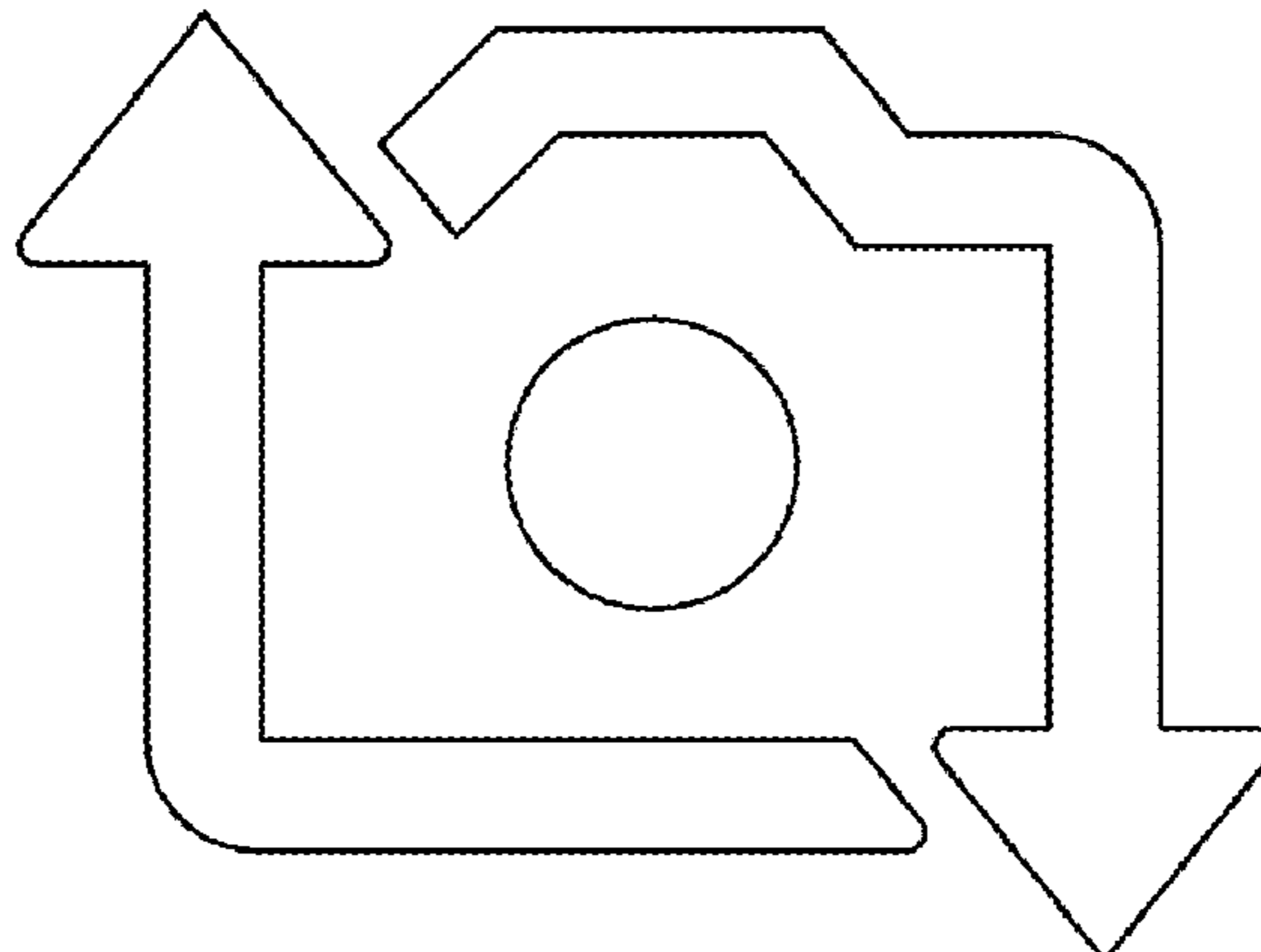
(57) **CLAIM**

We claim the ornamental design for a display screen or portion thereof with icon, as shown and described.

**DESCRIPTION**

FIG. 1 is a front view of a display screen or portion thereof with icon showing our new design; and, FIG. 2 is an enlarged view of the icon as shown in FIG. 1. The broken lines in the figures illustrating the display screen or portion thereof form no part of the claimed design.

**1 Claim, 2 Drawing Sheets**



(56)

**References Cited**

U.S. PATENT DOCUMENTS

D777,777 S \* 1/2017 Park ..... D14/488  
D791,177 S \* 7/2017 Sakuma ..... D14/489  
D792,459 S \* 7/2017 Lee ..... D14/491  
D803,880 S \* 11/2017 Hohne ..... D14/492  
2011/0083103 A1\* 4/2011 Shim ..... G06F 3/0482  
715/810  
2014/0101576 A1\* 4/2014 Kwak ..... G06F 3/0482  
715/761

OTHER PUBLICATIONS

“Reverse Camera Icon” Jul. 29, 2017, Free Icons, site visited Mar. 5, 2018: <http://www.pvhc.net/Reverse-Camera-Icon20ufyrboou/>.  
Sergey Demushkin “Flip Camera” [2016] [www.thenounproject.com](http://www.thenounproject.com) Sep. 22, 2016 <<https://thenounproject.com/term/flip-camera/534701/>>.  
Ashwin Dinesh “Rotate Camera” [2016] [www.thenounproject.com](http://www.thenounproject.com) Sep. 22, 2016 <<https://thenounproject.com/term/flip-camera/282960/>>.  
Kevin White “Flip Camera” [2016] [www.thenounproject.com](http://www.thenounproject.com) Sep. 22, 2016 <<https://thenounproject.com/term/flip-camera/541993/>>.

\* cited by examiner

FIG. 1

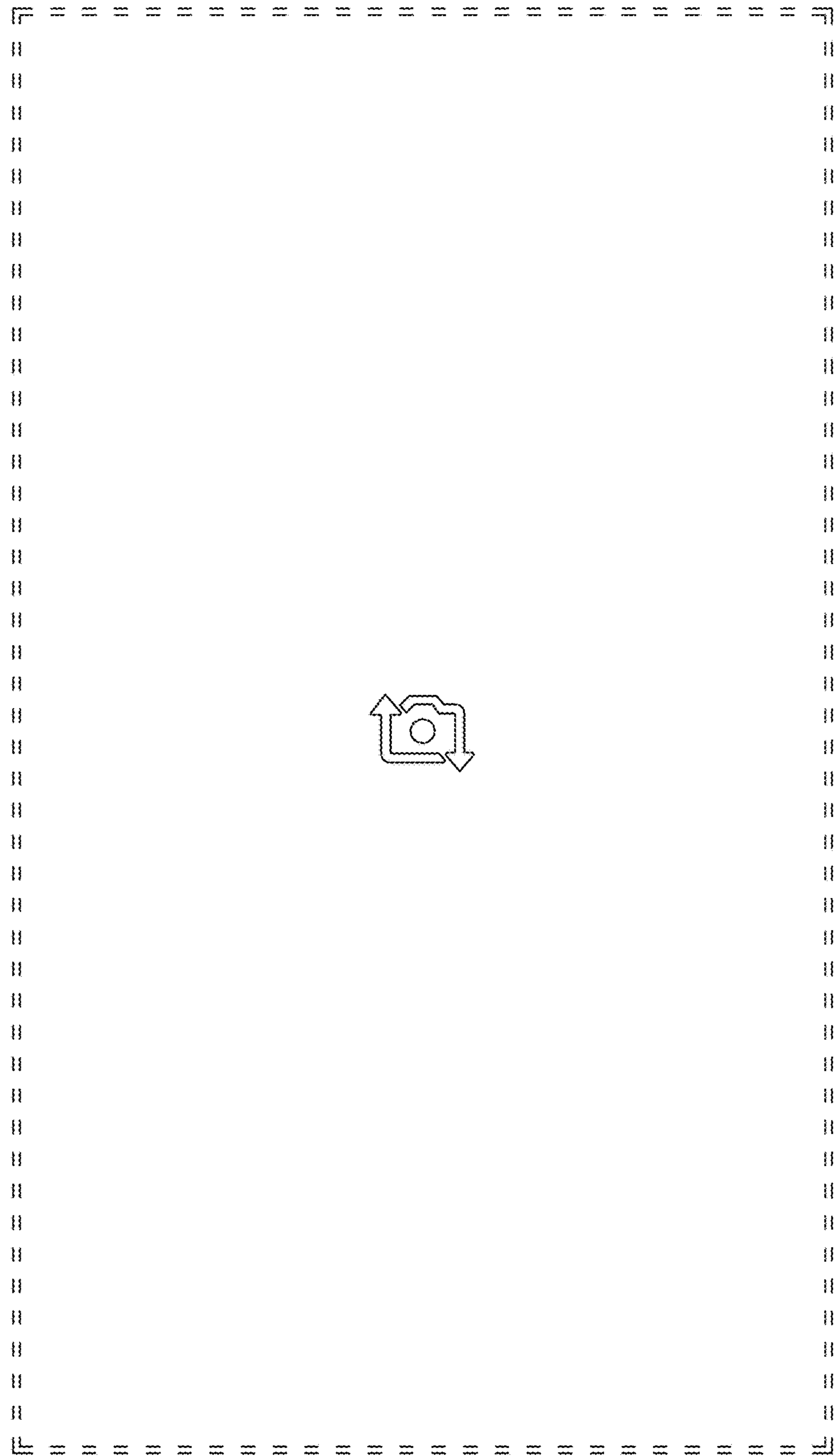


FIG. 2

