



US00D824919S

(12) **United States Design Patent** (10) **Patent No.:** **US D824,919 S**
Jensen et al. (45) **Date of Patent:** **** Aug. 7, 2018**

(54) **HOLDER FOR COMPUTER MOUSE**

(71) Applicant: **XTRFY GAMING AB**, Landskrona (SE)

(72) Inventors: **Erik Jensen**, Dalby (SE); **Emil Christensen**, Häljarp (SE)

(73) Assignee: **XTRFY GAMING AB**, Landskrona (SE)

(**) Term: **15 Years**

(21) Appl. No.: **35/501,833**

(22) Filed: **Mar. 17, 2016**

(80) **Hague Agreement Data**

Int. Filing Date: **Mar. 17, 2016**

Int. Reg. No.: **DM/093048**

Int. Reg. Date: **Mar. 17, 2016**

Int. Reg. Pub. Date: **Nov. 4, 2016**

(51) **LOC (11) Cl.** **14-02**

(52) **U.S. Cl.**
USPC **D14/454**

(58) **Field of Classification Search**
USPC D14/356, 388, 402-419, 432, 454, 457, D14/458; D6/512, 513
CPC G06F 1/1601; G06F 1/1643; H04N 5/64; H04N 5/66; H04N 5/655; H04N 7/00; H04N 9/3141; H04N 13/0459; H04N 17/04; H04N 17/004; H04N 21/43637; G02B 6/0068; H05K 5/02; H05K 5/0004; H05K 5/0017; H05K 5/0217

See application file for complete search history.

(56) **References Cited**

U.S. PATENT DOCUMENTS

D350,947 S *	9/1994	Klinger	D14/454
5,409,107 A *	4/1995	Browne	G06F 3/039 206/305
D372,706 S *	8/1996	Cyr	D14/457
D547,319 S *	7/2007	Chang	D13/108
D639,758 S *	6/2011	Lee	D14/125
2006/0202959 A1 *	9/2006	Chang	G06F 3/03543 345/163

* cited by examiner

Primary Examiner — Keli L Hill

(74) *Attorney, Agent, or Firm* — John Alunit

(57) **CLAIM**

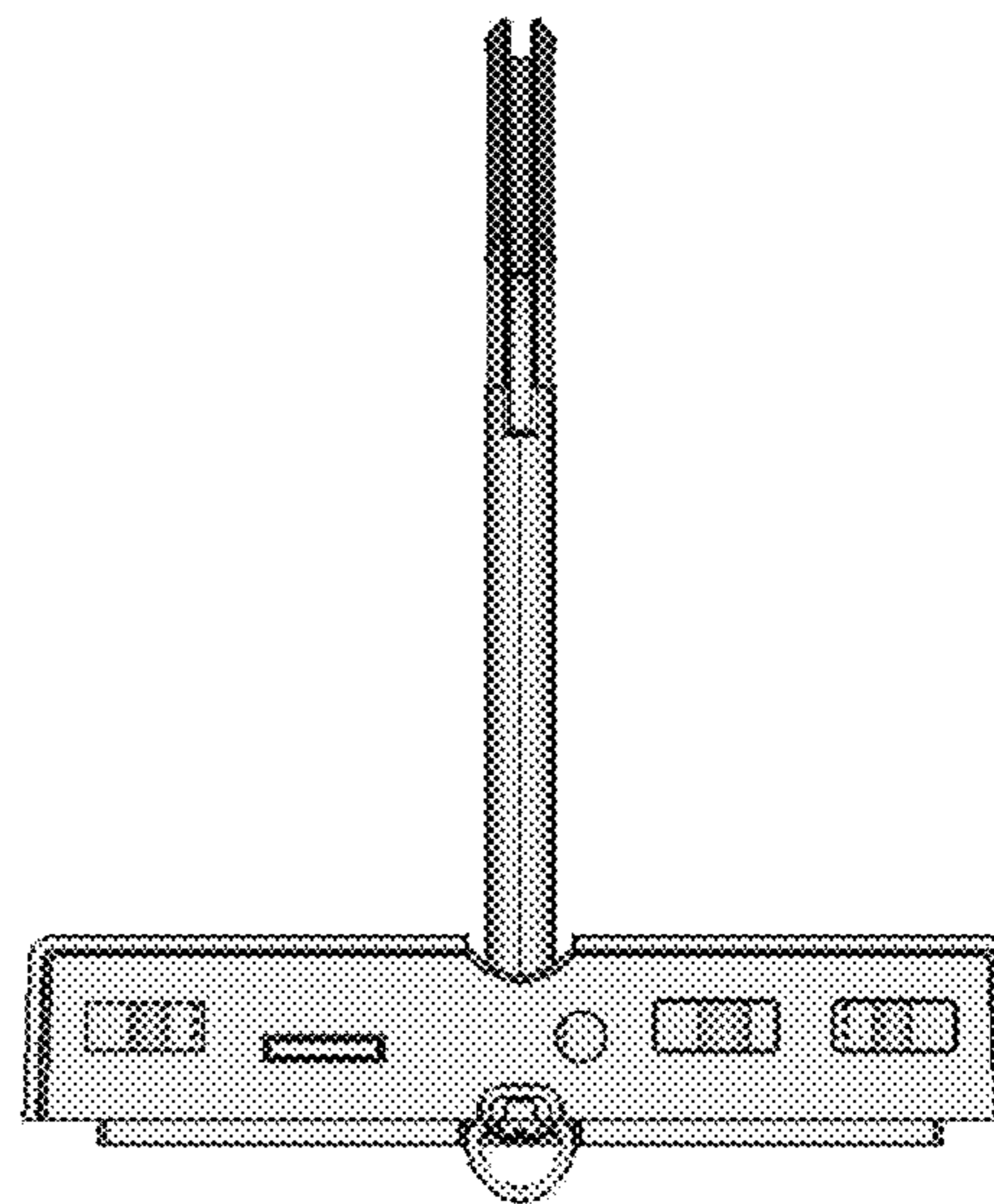
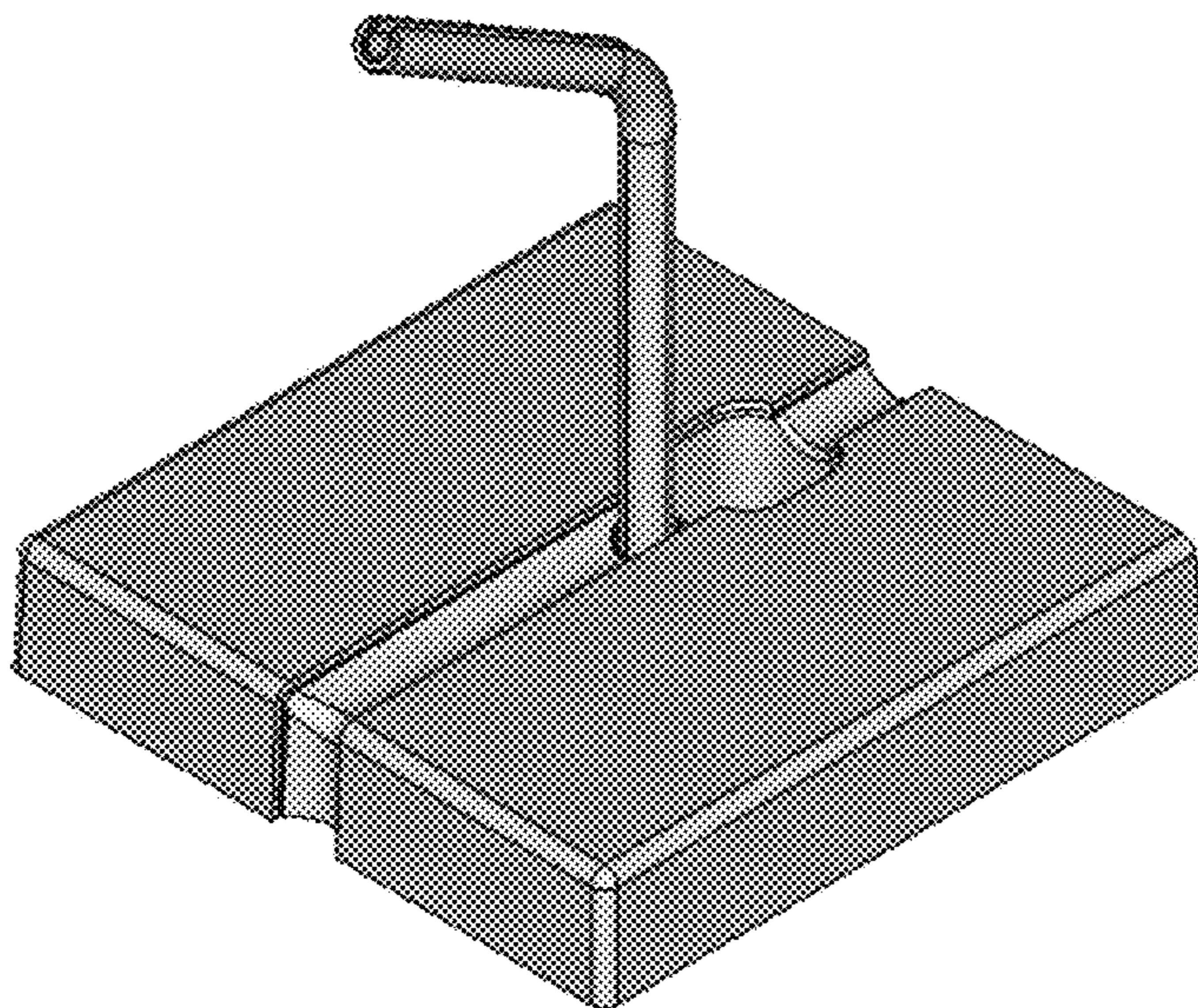
The ornamental design for a holder for computer mouse, as shown and described.

DESCRIPTION

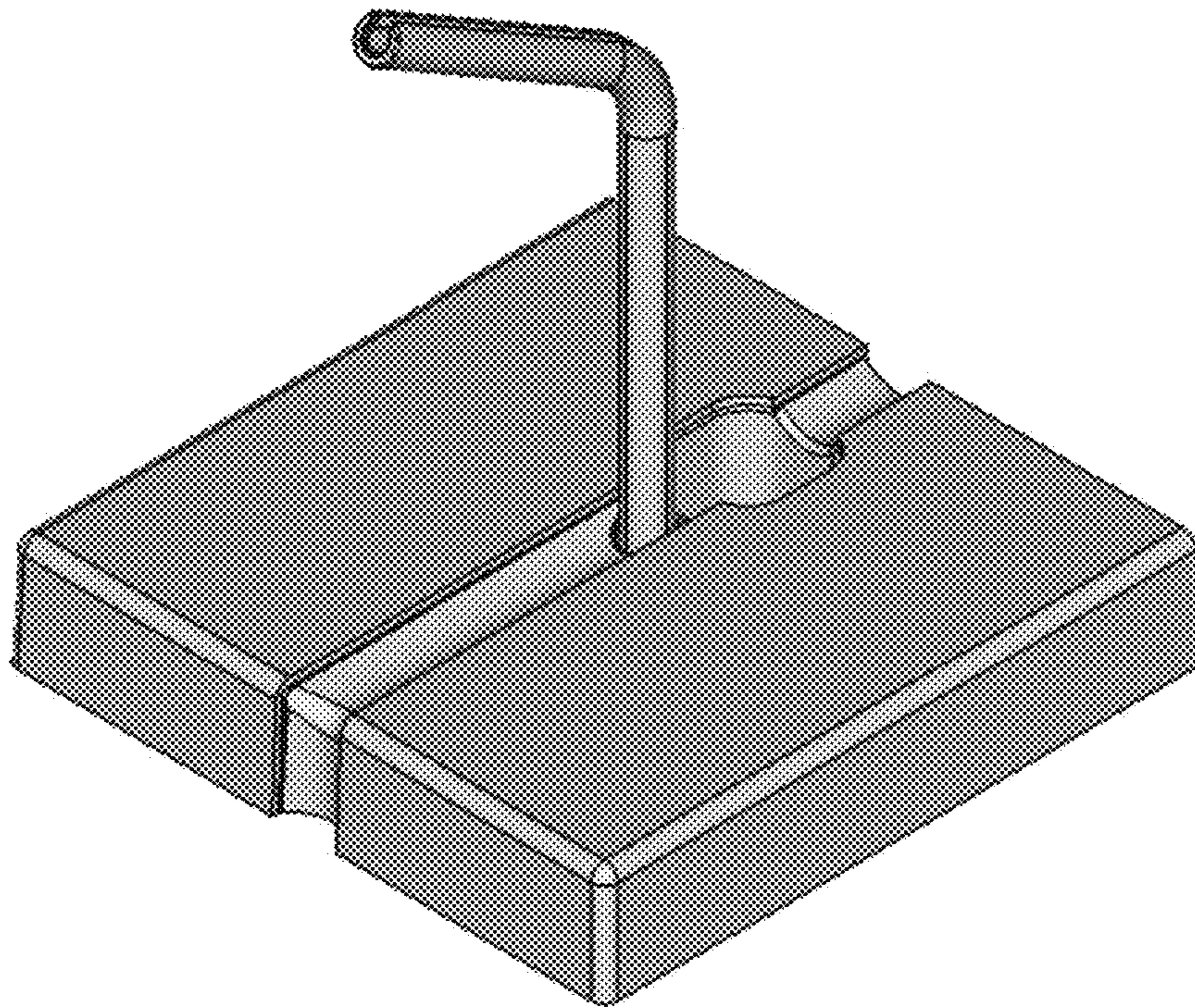
- 1. Holder for computer mouse
- 1.1 : Perspective
- 1.2 : Back
- 1.3 : Front
- 1.4 : Top
- 1.5 : Right
- 1.6 : Bottom
- 1.7 : Left

The broken lines shown in the drawings represent unclaimed portions of the holder for computer mouse and form no part of the claimed design.

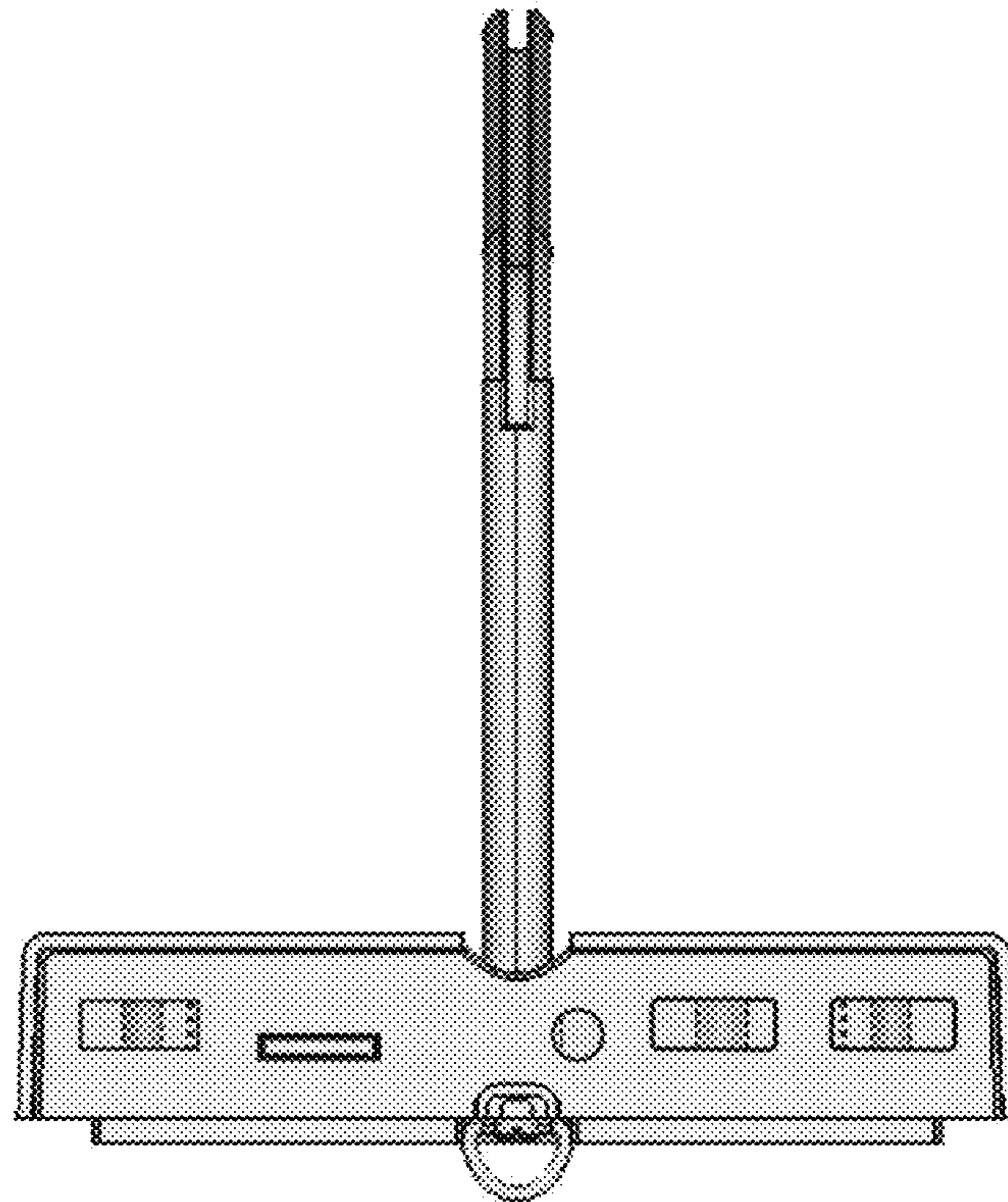
1 Claim, 7 Drawing Sheets



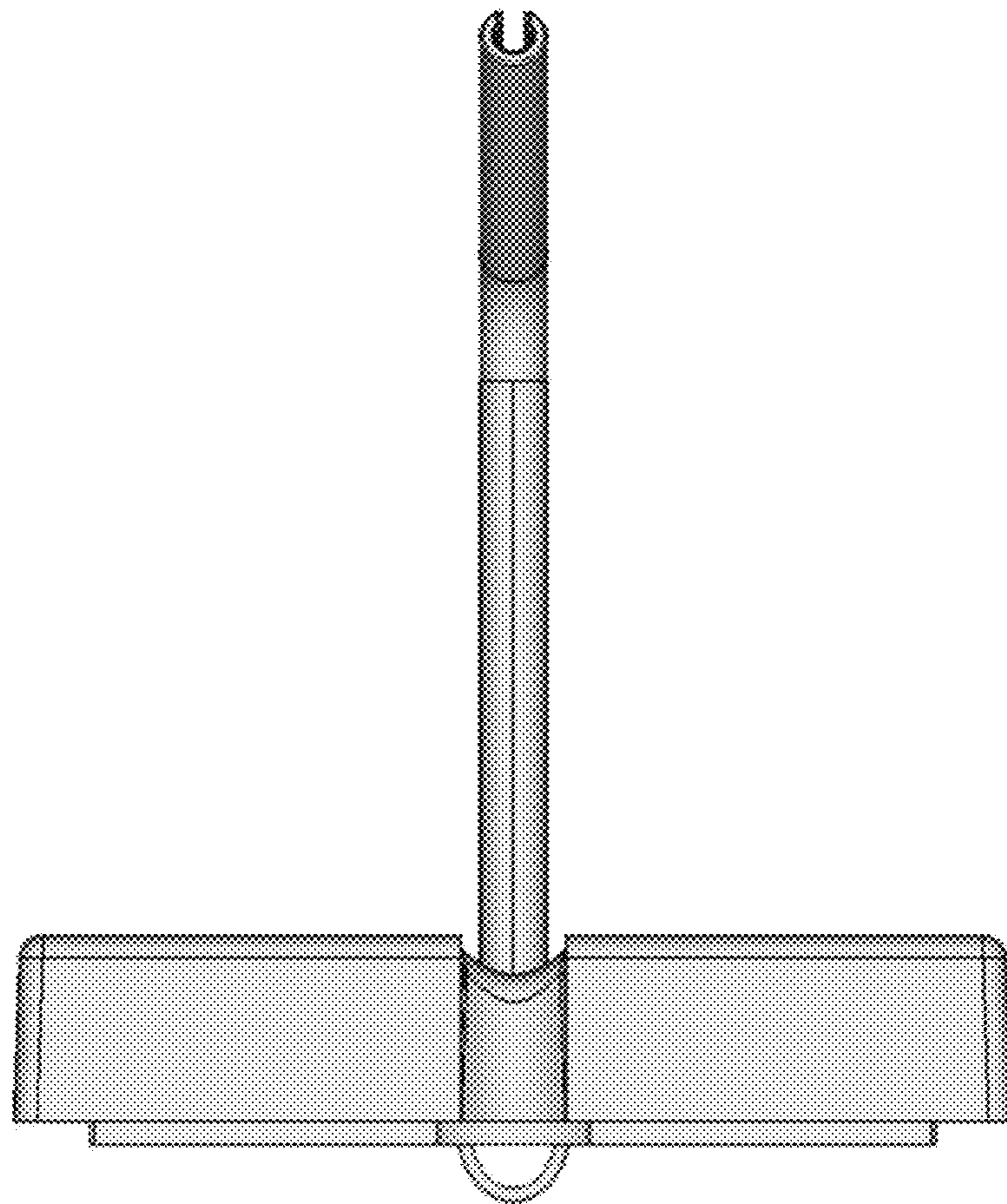
1.1



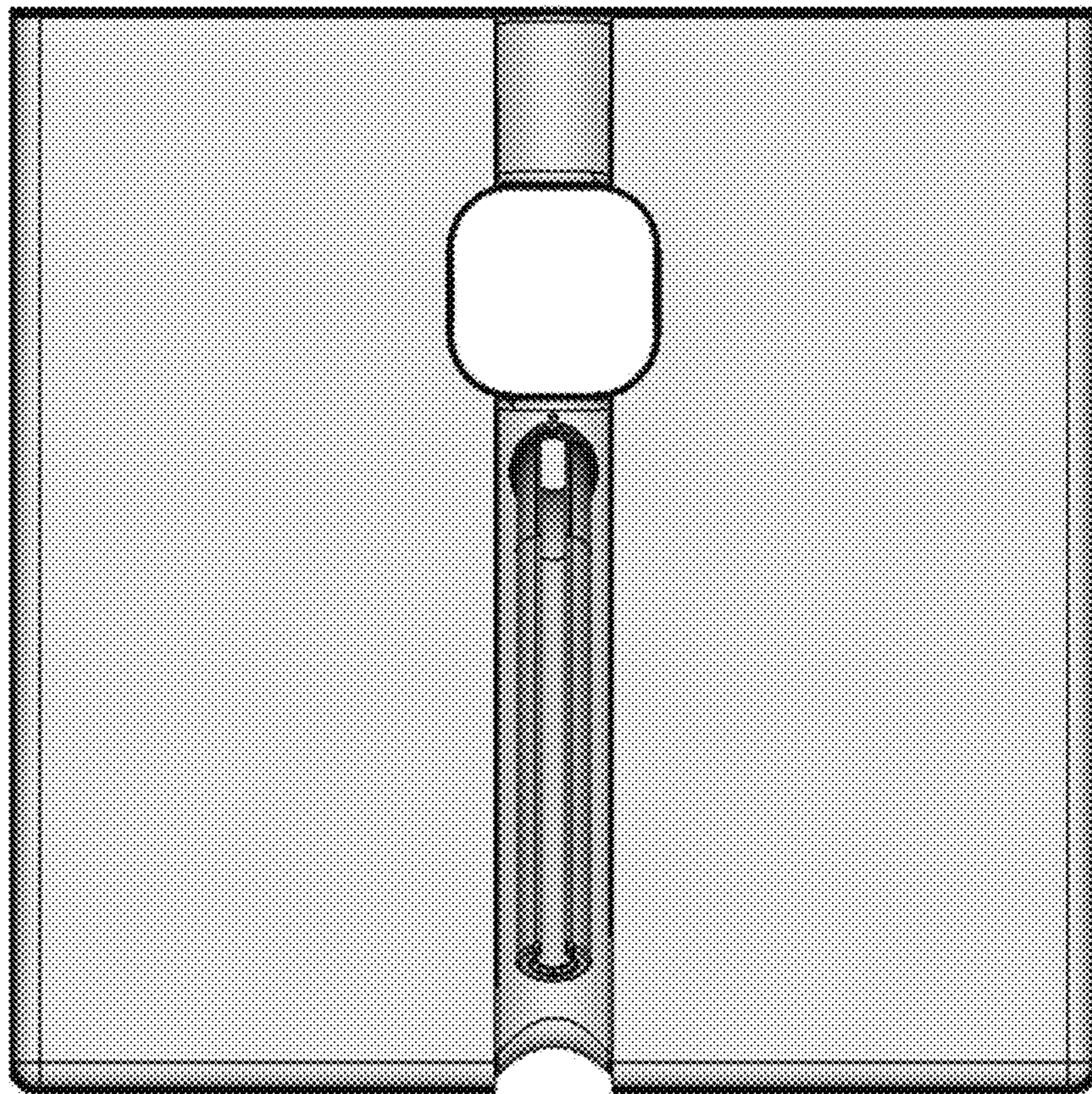
1.2



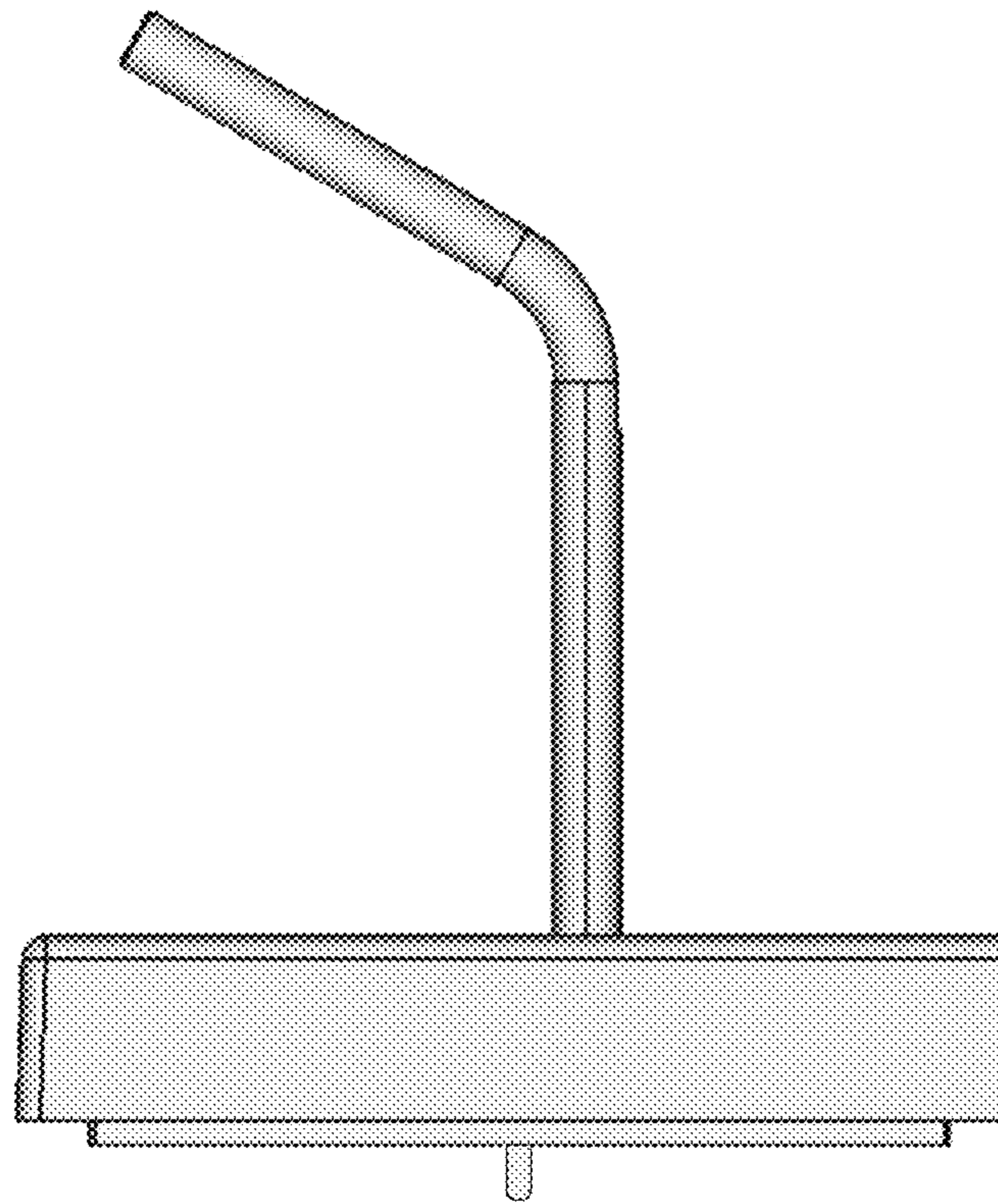
1.3



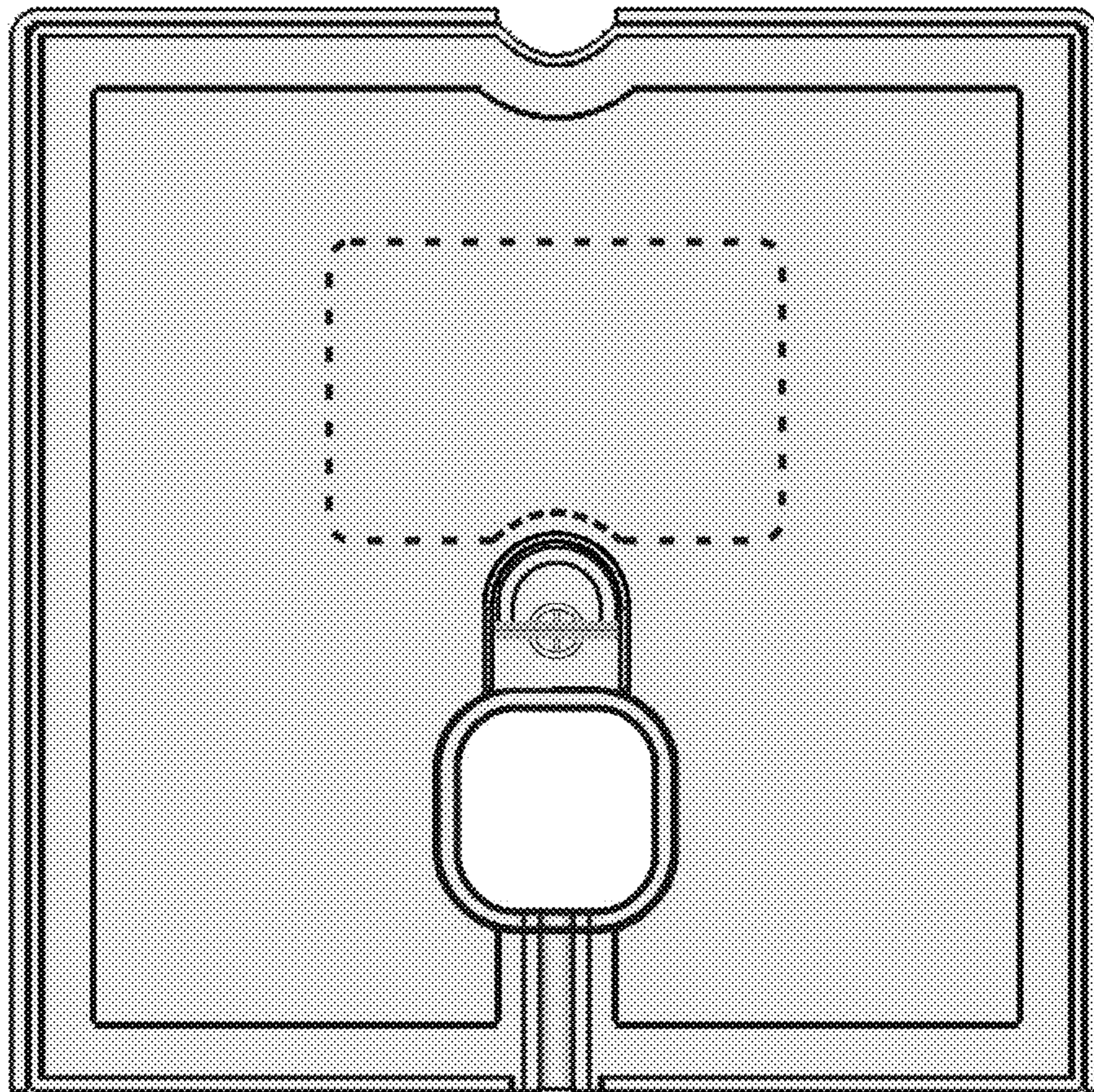
1.4



1.5



1.6



1.7

