



US00D824918S

(12) **United States Design Patent** (10) **Patent No.:** **US D824,918 S**
Roarty et al. (45) **Date of Patent:** **** Aug. 7, 2018**

(54) **FOLDING MONITOR STAND**

(71) Applicant: **Bloomberg Finance L.P.**, New York, NY (US)
(72) Inventors: **Sean Roarty**, Ossining, NY (US); **Chris Brown**, Oakville (CA); **Vito Illuzzi**, Staten Island, NY (US); **John Harmen**, Burlington (CA); **Al Castagna**, Etobicoke (CA)
(73) Assignee: **BLOOMBERG FINANCE L.P.**, New York, NY (US)

(**) Term: **15 Years**

(21) Appl. No.: **29/592,416**

(22) Filed: **Jan. 30, 2017**

(51) **LOC (11) Cl.** **14-02**

(52) **U.S. Cl.**
USPC **D14/452**

(58) **Field of Classification Search**
USPC D14/447-452, 336, 341, 371, 373, 374, D14/375, 376, 377, 126, 127, 128, 129
CPC F16M 11/105; F16M 11/10; F16M 11/048; F16M 11/12; F16M 13/022
See application file for complete search history.

(56) **References Cited**

U.S. PATENT DOCUMENTS

| | | | | | |
|-----------|-----|---------|----------------|-------|--------------|
| 4,410,158 | A * | 10/1983 | Maffei | | F16M 11/2014 |
| | | | | | 248/214 |
| 5,288,043 | A * | 2/1994 | Tigliev | | A61B 90/25 |
| | | | | | 248/123.11 |
| D377,897 | S * | 2/1997 | Vogels | | D6/513 |
| 5,609,316 | A * | 3/1997 | Tigliev | | A61B 90/25 |
| | | | | | 248/123.11 |
| D388,646 | S * | 1/1998 | Canton Gongora | | D6/513 |
| D396,862 | S * | 8/1998 | Morgan | | D14/225 |

(Continued)

OTHER PUBLICATIONS

Business Insider. <URL: <http://www.businessinsider.com/12-awesome-things-you-can-do-with-a-bloomberg-terminal-2010-2>> Feb. 25, 2010. Bloomberg terminal review.*

(Continued)

Primary Examiner — Thomas Johannes
Assistant Examiner — Lauren McVey
(74) *Attorney, Agent, or Firm* — Chiesa Shahinian & Giantomasi PC

(57) **CLAIM**

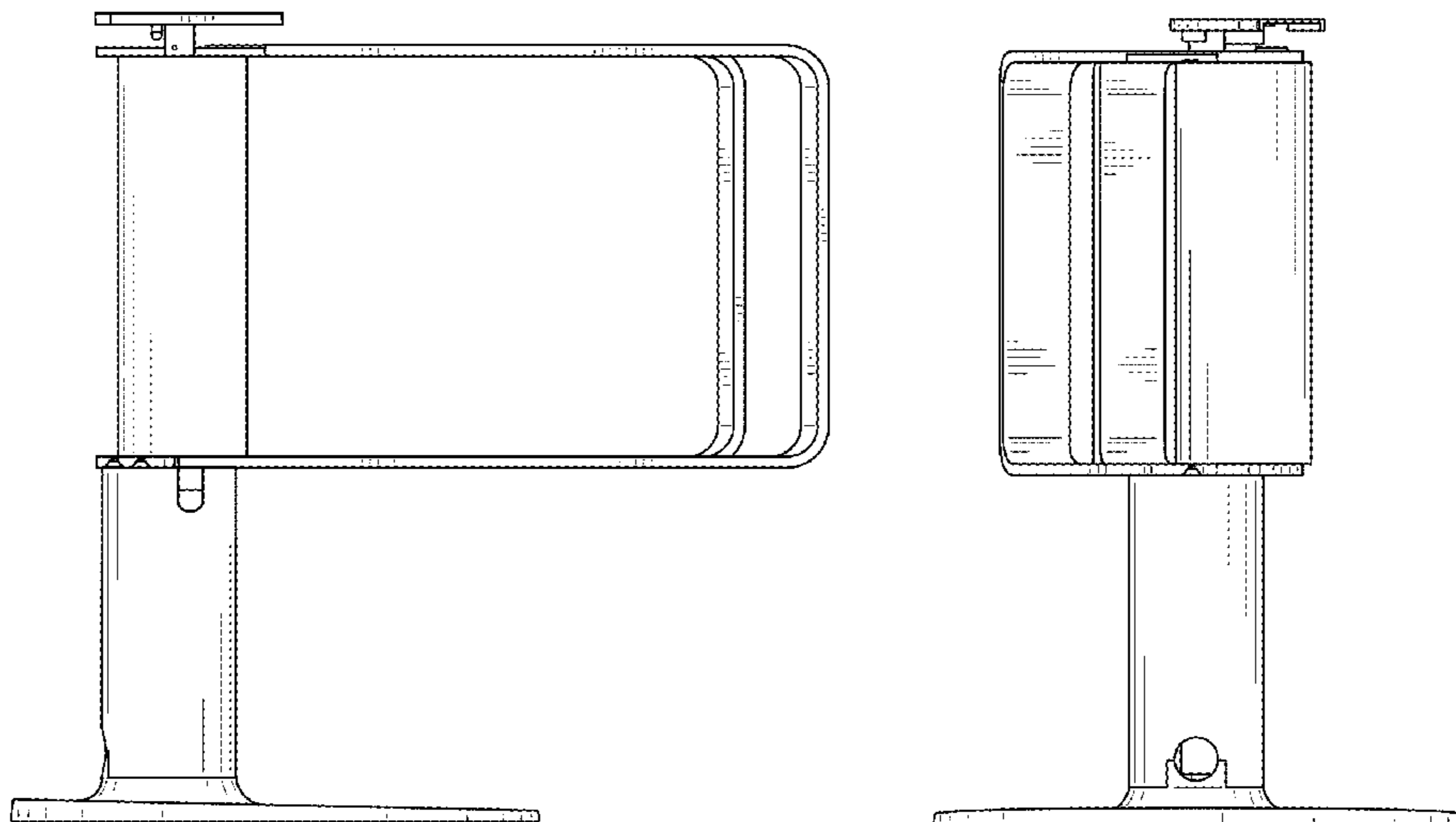
The ornamental design for a folding monitor stand, as shown and described.

DESCRIPTION

FIG. 1 is a perspective view of a folding monitor stand showing our new design with additional environment; FIG. 2 is a left side elevational view thereof; FIG. 3 is a right side elevational view thereof; FIG. 4 is a front elevational view thereof; FIG. 5 is a rear elevational view thereof; FIG. 6 is a top plan view thereof; FIG. 7 is a bottom plan view thereof; FIG. 8 is a perspective view of the folding monitor stand of FIG. 1, shown with additional environment removed in order to show aspects of the design not otherwise apparent; FIG. 9 is a left side elevational view thereof; FIG. 10 is a right side elevational view thereof; FIG. 11 is a front elevational view thereof; FIG. 12 is a rear elevational view thereof; FIG. 13 is a top plan view thereof; and, FIG. 14 is a bottom plan view thereof.

The broken lines immediately adjacent to the claim represent the bounds of the claimed design while all other broken lines are directed to environment and are for illustrative purposes only; the broken lines form no part of the claimed design.

1 Claim, 9 Drawing Sheets



(56)

References Cited

U.S. PATENT DOCUMENTS

| | | | | |
|-----------|-----|---------|-------------------|---------|
| D428,863 | S | 8/2000 | Rahemtulla et al. | |
| D430,165 | S * | 8/2000 | Lee | D14/451 |
| D430,570 | S * | 9/2000 | Lee | D14/451 |
| 6,343,006 | B1 | 1/2002 | Moscovitch et al. | |
| D507,270 | S | 7/2005 | Ozolins et al. | |
| D527,759 | S | 9/2006 | Ono | |
| D528,585 | S | 9/2006 | Ono | |
| D589,511 | S | 3/2009 | Han | |
| D589,958 | S | 4/2009 | Han | |
| D598,458 | S | 8/2009 | Li | |
| D598,459 | S * | 8/2009 | Gillespie | D14/451 |
| 7,607,620 | B2 | 10/2009 | Ozolins et al. | |
| D627,359 | S * | 11/2010 | Gillespie | D14/451 |
| D712,906 | S * | 9/2014 | Wengreen | D14/451 |
| 9,089,216 | B2 | 7/2015 | Liu | |
| D754,669 | S * | 4/2016 | Jacobs | D14/452 |
| 9,529,464 | B2 | 12/2016 | Sitbon | |
| D779,499 | S * | 2/2017 | Qian | D14/451 |

OTHER PUBLICATIONS

Office Action from U.S. Appl. No. 29/592,413 dated Dec. 11, 2017;
6 pages.

* cited by examiner

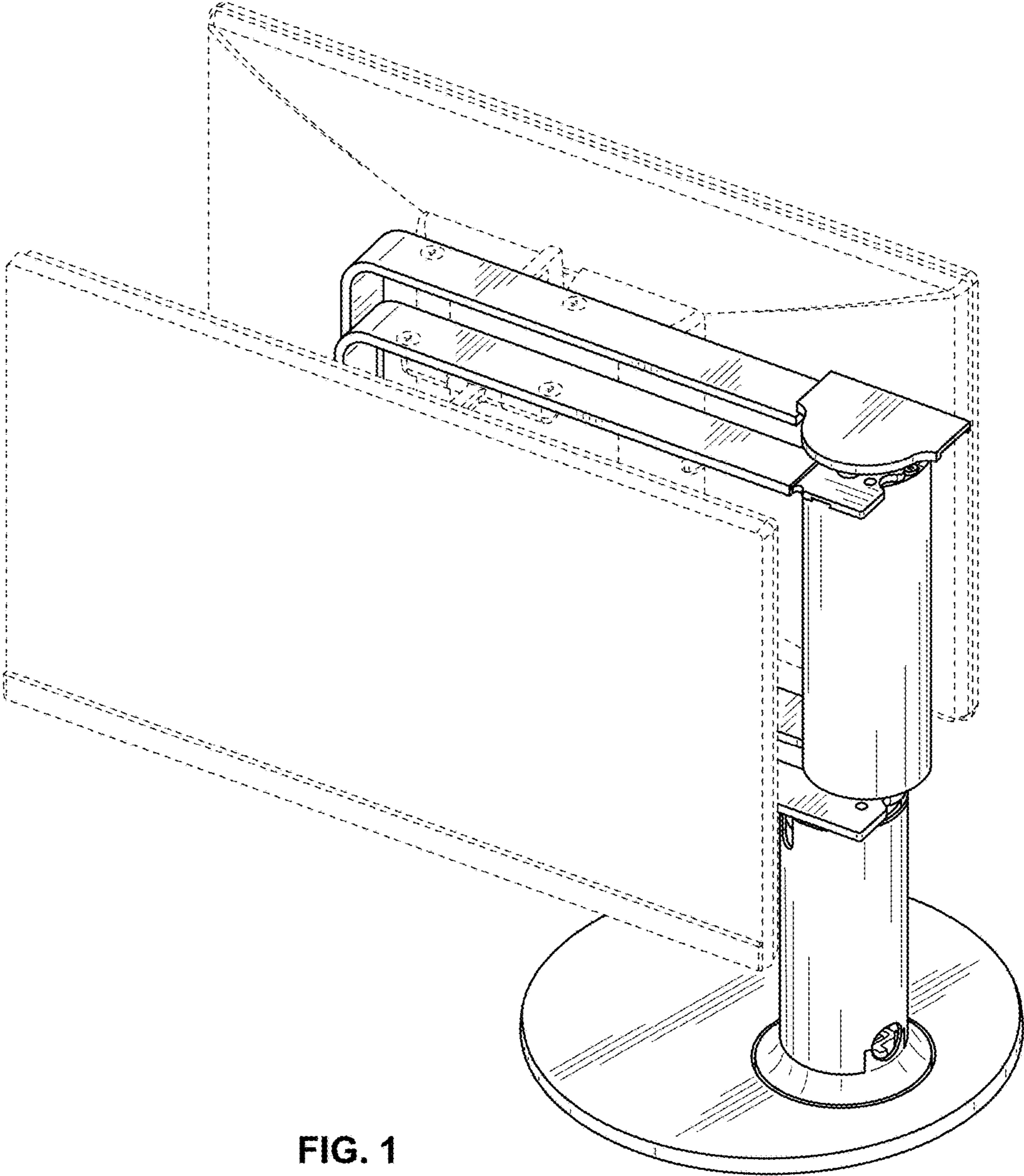


FIG. 1

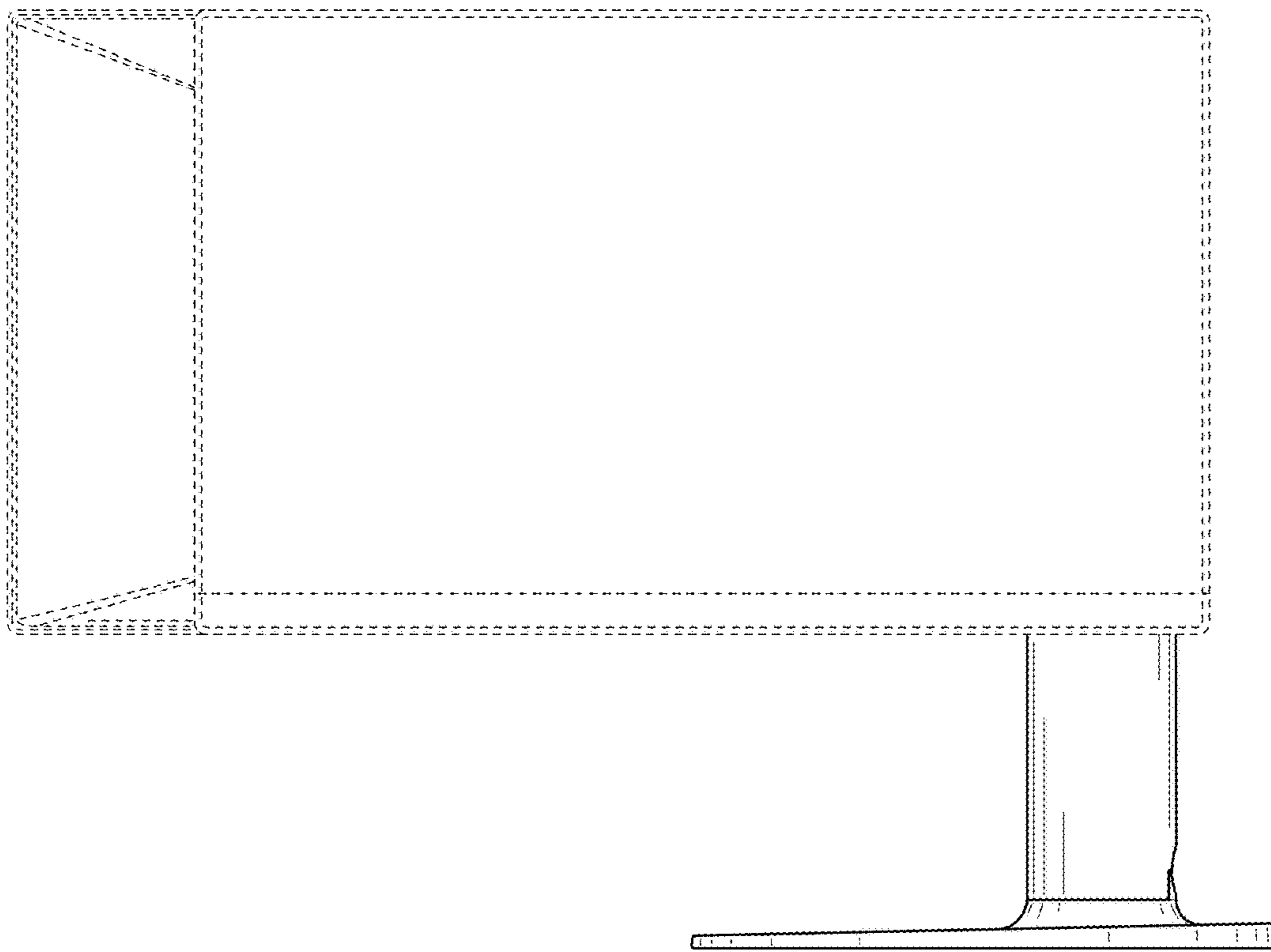


FIG. 2

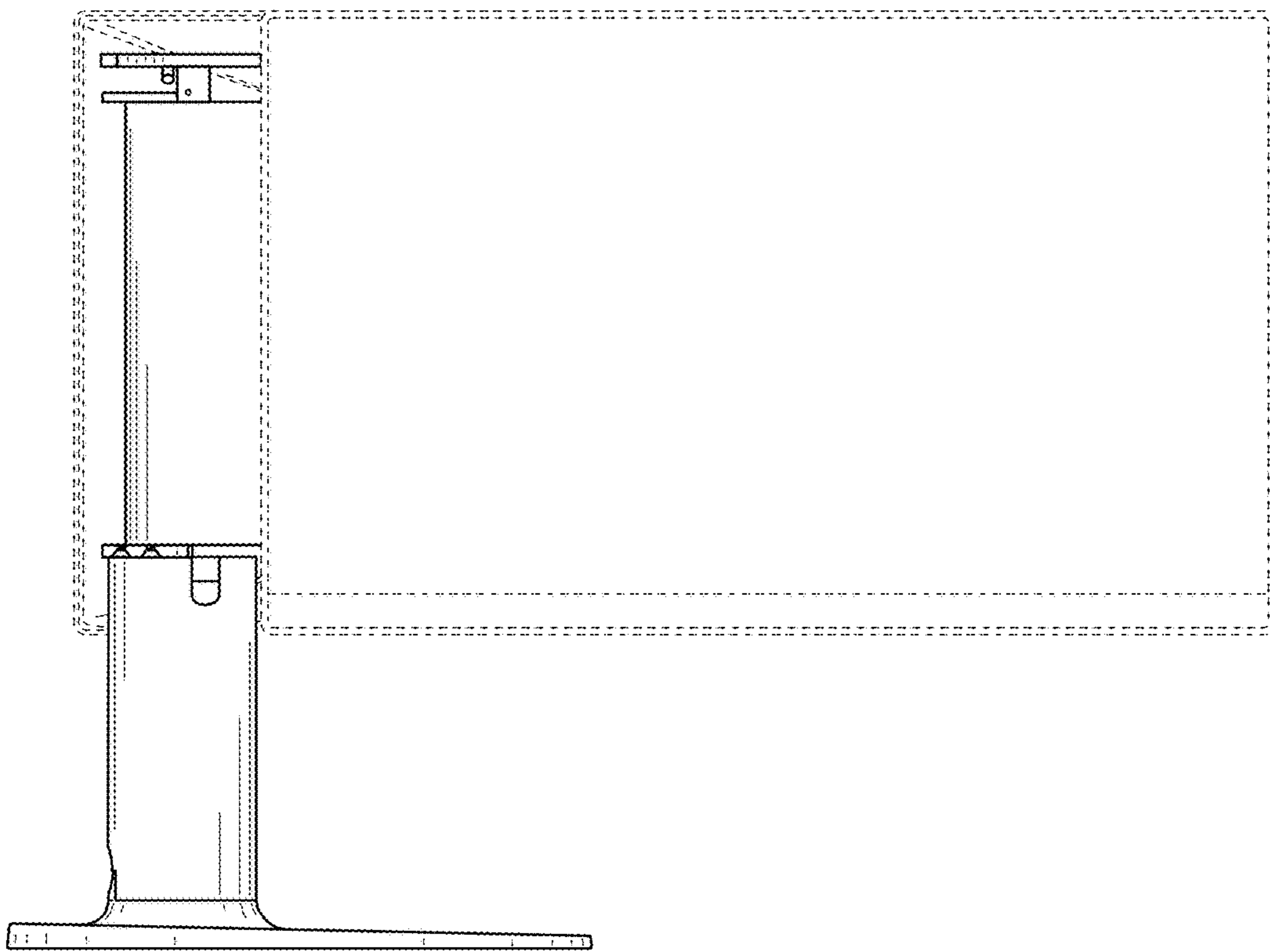


FIG. 3

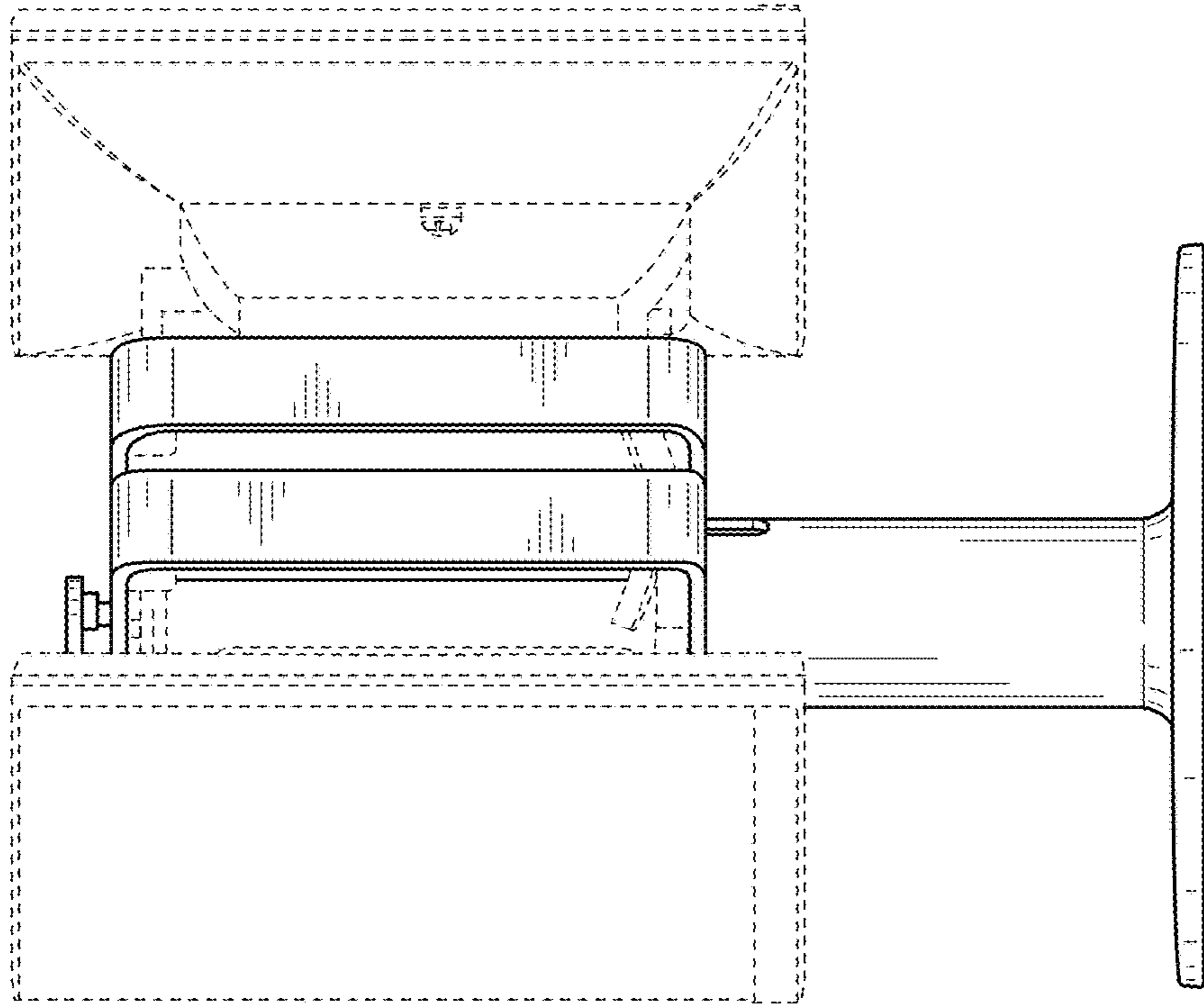


FIG. 5

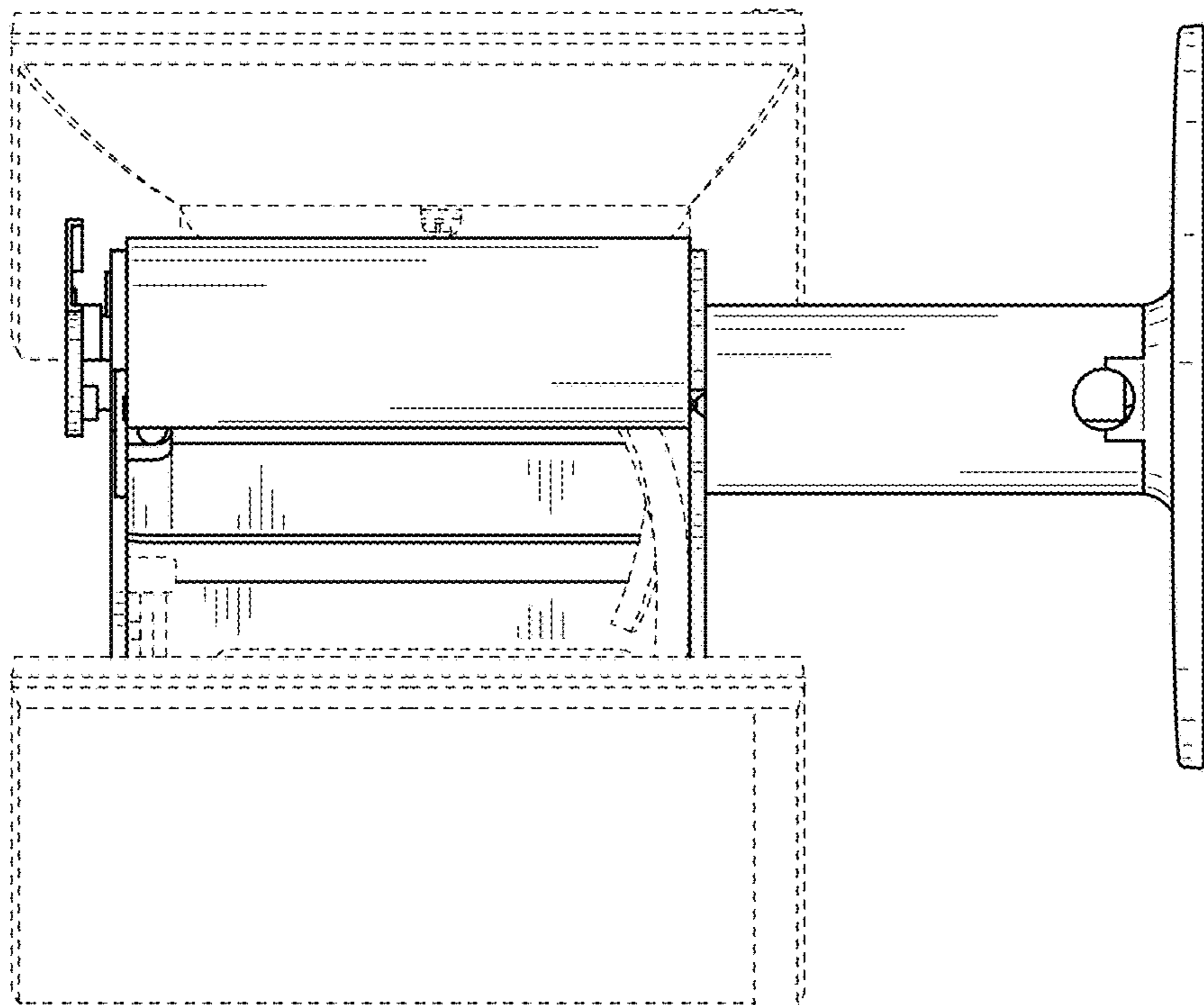


FIG. 4

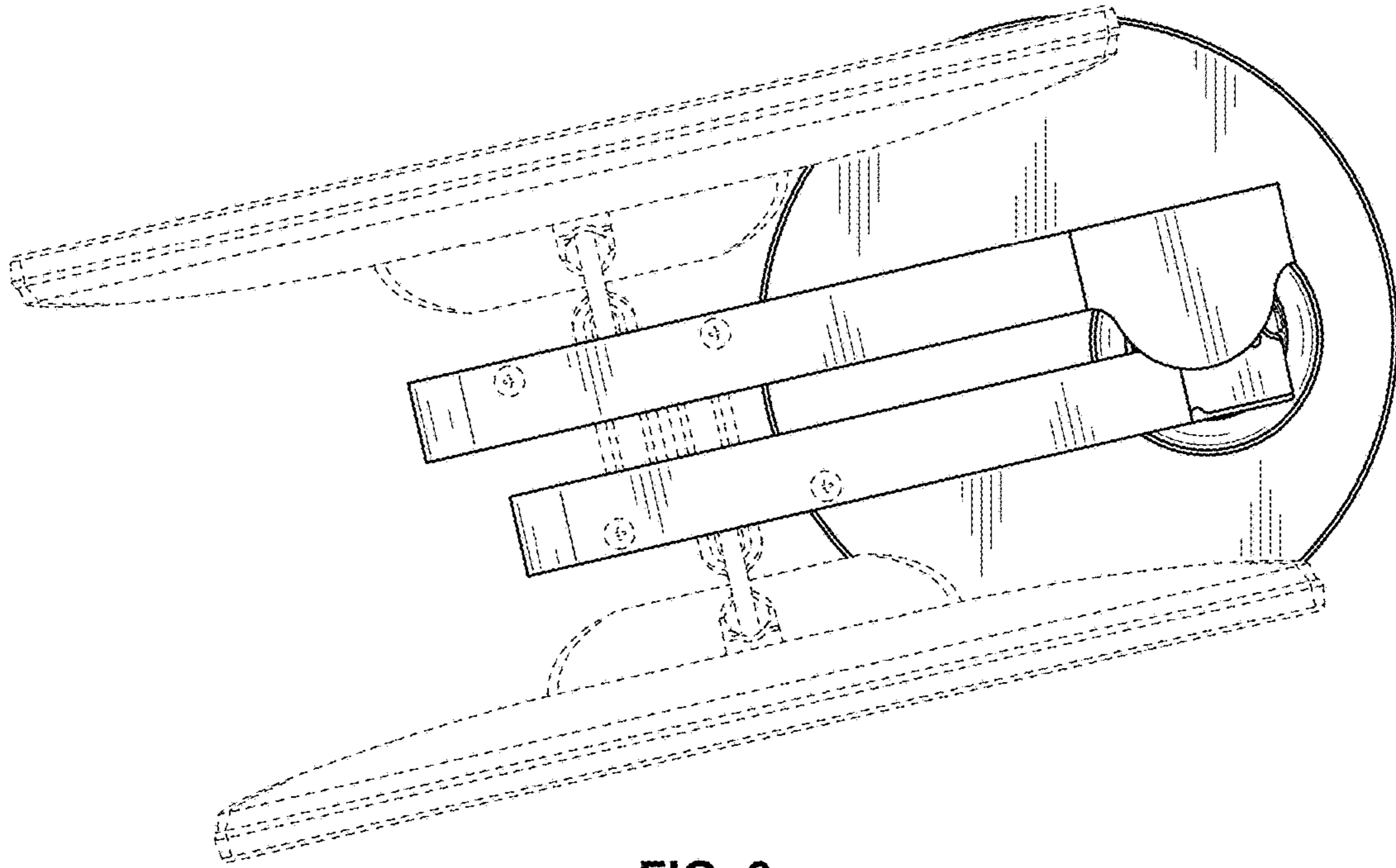


FIG. 6

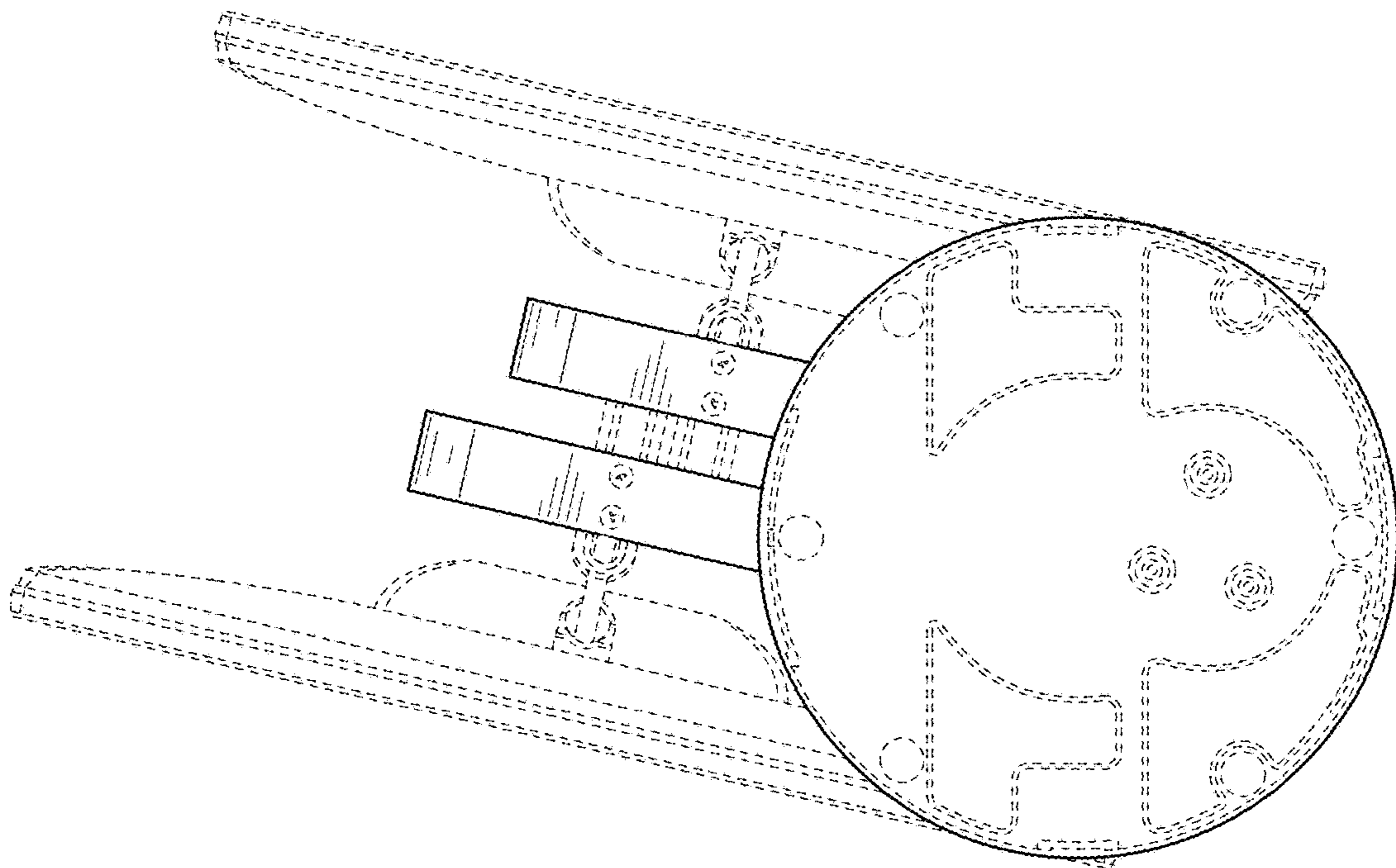


FIG. 7

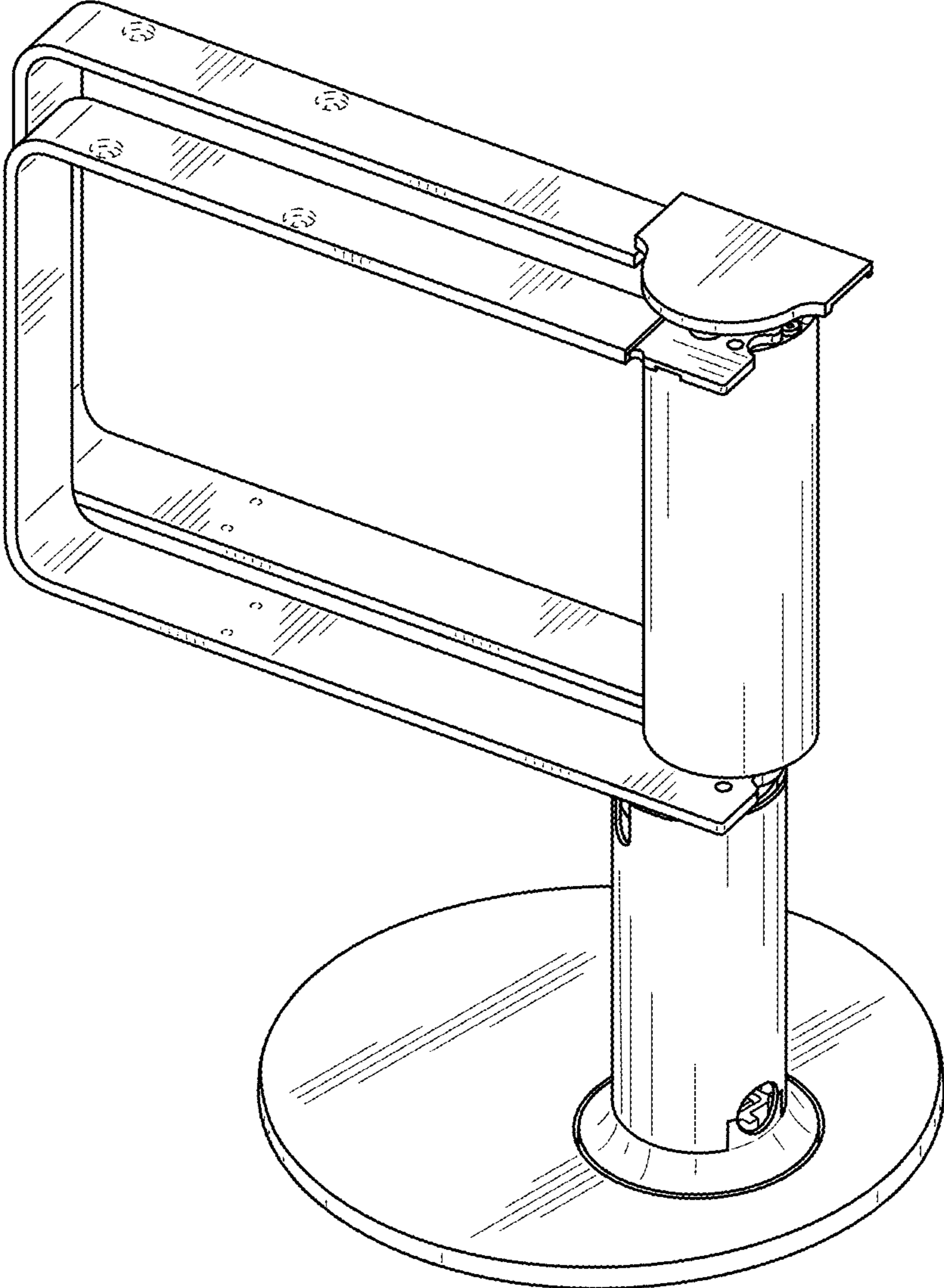


FIG. 8

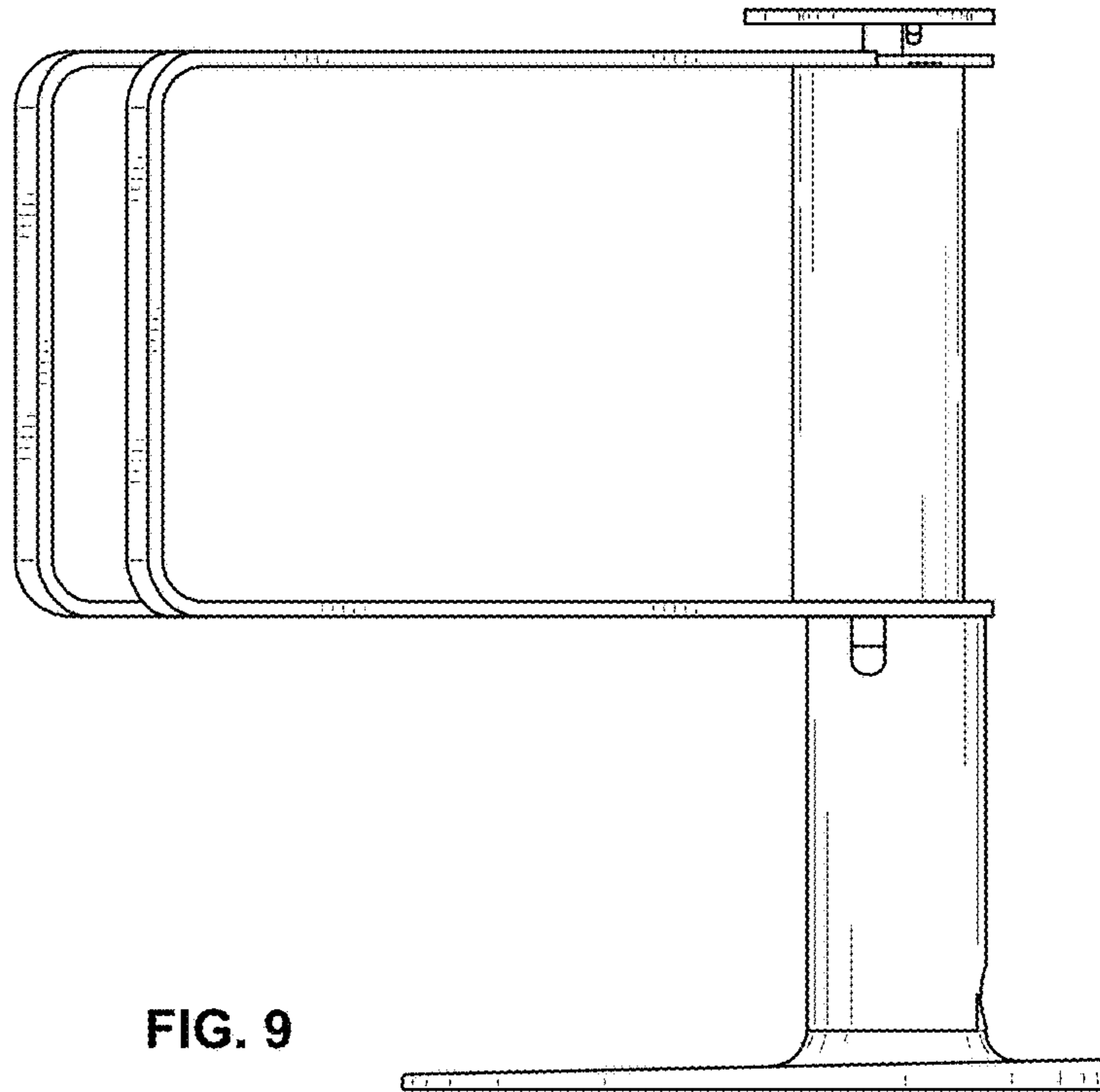


FIG. 9

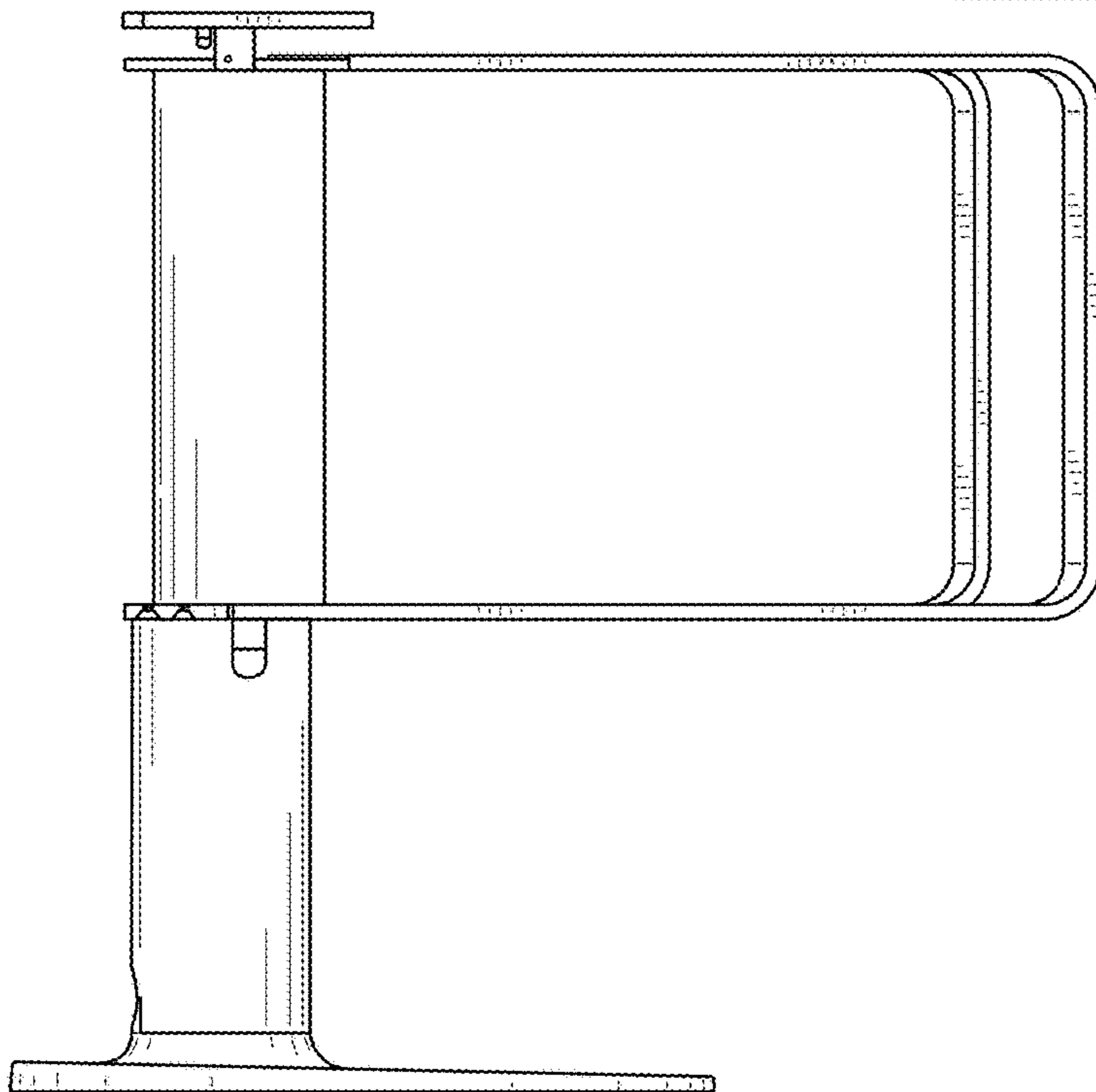


FIG. 10

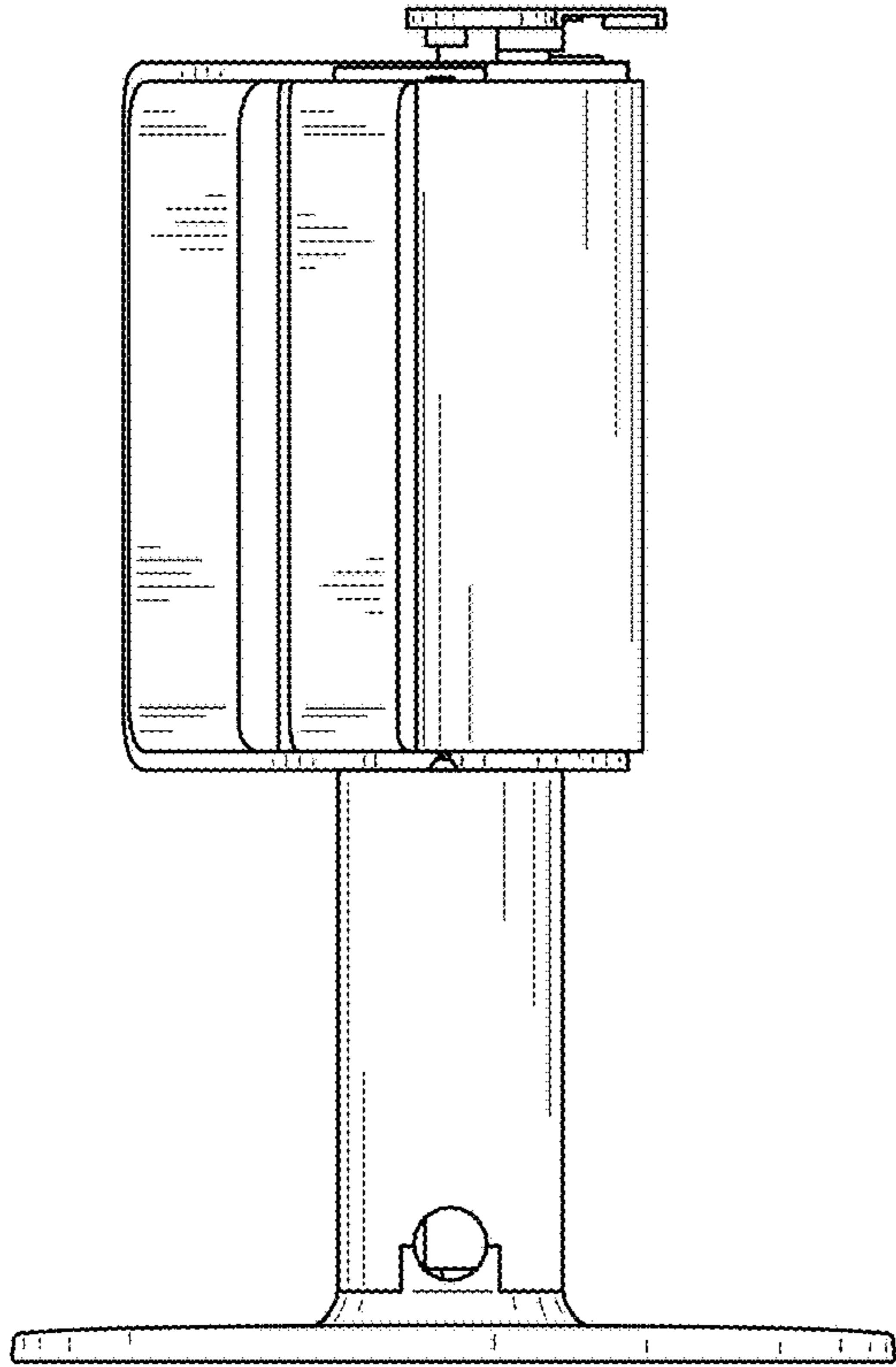


FIG. 11

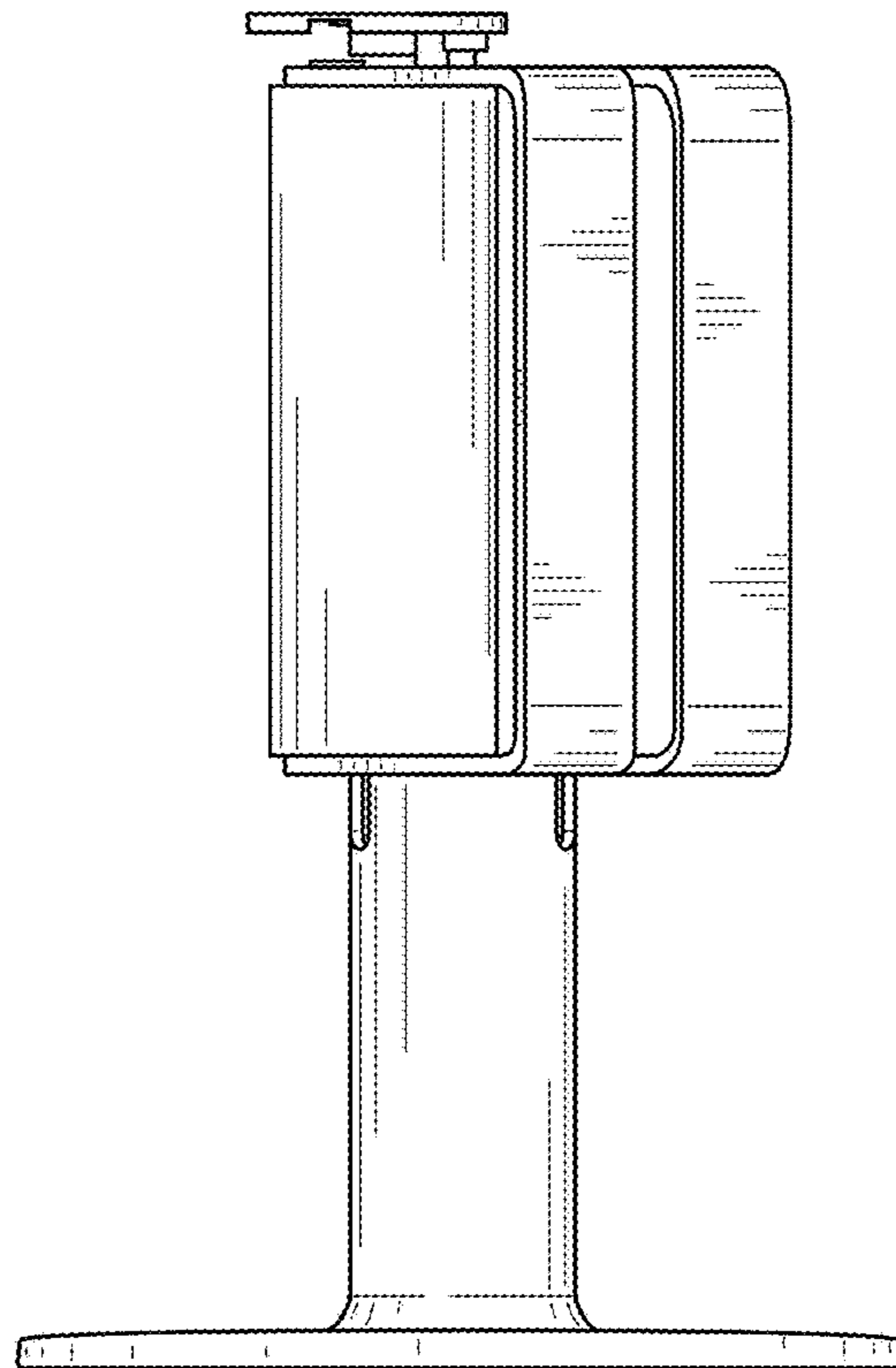


FIG. 12

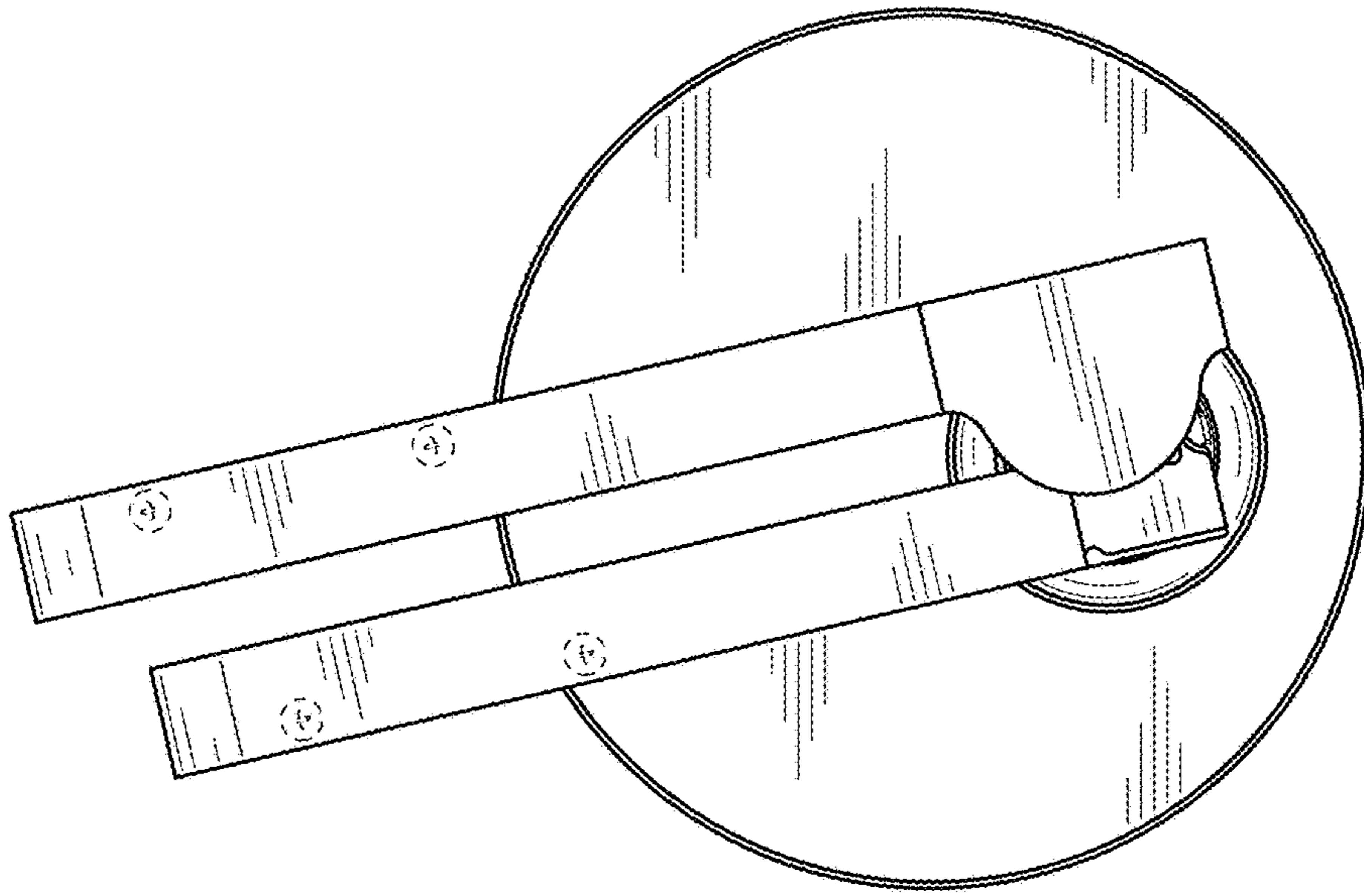


FIG. 13

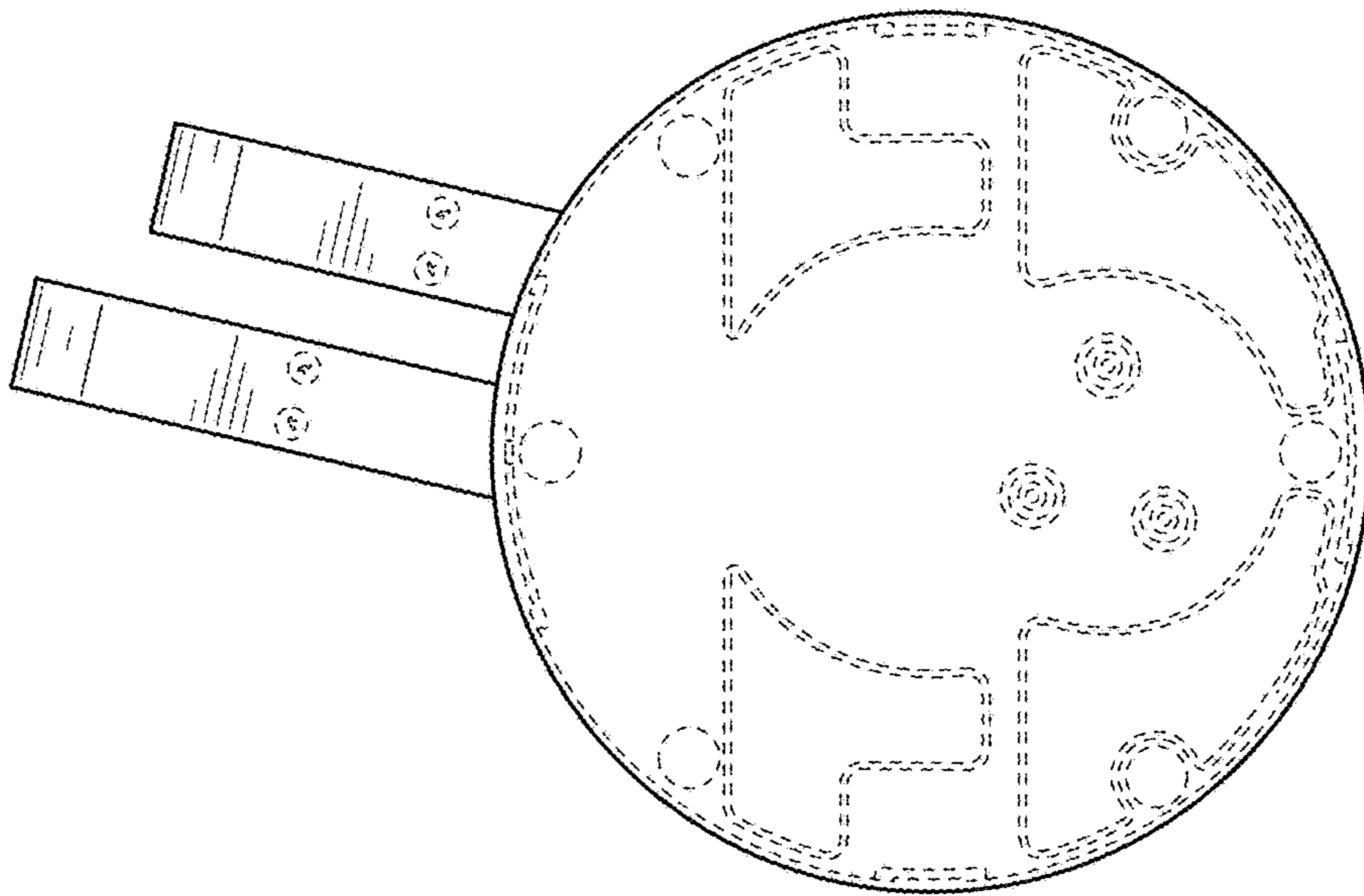


FIG. 14