



US00D824917S

(12) **United States Design Patent** (10) **Patent No.:** **US D824,917 S**
Nelson et al. (45) **Date of Patent:** **** *Aug. 7, 2018**

(54) **STAND FOR HANDHELD ELECTRONIC DEVICE**

D567,810 S 4/2008 Yeh
D576,615 S 9/2008 Richter
D587,188 S * 2/2009 Mo D12/415
D589,964 S 4/2009 Heggland et al.

(71) Applicant: **Mobile Tech, Inc.**, Lake Oswego, OR (US)

(Continued)

(72) Inventors: **Ed Nelson**, Hillsboro, OR (US); **Mitch Hose**, Hillsboro, OR (US); **Lincoln Wilde**, Hillsboro, OR (US)

FOREIGN PATENT DOCUMENTS

GB 4031459 8/2013
GB 4042068 7/2015

(73) Assignee: **MOBILE TECH, INC.**, Lake Oswego, OR (US)

Primary Examiner — Angela J Lee

(74) *Attorney, Agent, or Firm* — Thompson Coburn LLP

(*) Notice: This patent is subject to a terminal disclaimer.

(57) **CLAIM**

The ornamental design for a stand for handheld electronic device, as shown and described.

(**) Term: **15 Years**

(21) Appl. No.: **29/605,580**

DESCRIPTION

(22) Filed: **May 26, 2017**

(51) **LOC (11) Cl.** **08-07**

(52) **U.S. Cl.**
USPC **D14/447**

(58) **Field of Classification Search**
USPC D14/447, 432, 434, 439, 440, 451, 452, D14/457, 239; D8/363, 373, 380, 406.3, D8/406.4, 406.5, 406.6; D12/415
CPC A47B 21/04; A47B 2097/006; A47B 2097/005; A47B 2023/049; A45C 2011/002; A45C 2011/003; F16M 2200/00; F16M 13/00

See application file for complete search history.

FIG. 1 is a perspective view of a stand for handheld electronic device showing my new design;
FIG. 2 is a front view thereof;
FIG. 3 is a rear view thereof;
FIG. 4 is a left side view thereof;
FIG. 5 is a right side view thereof;
FIG. 6 is a top view thereof;
FIG. 7 is a bottom view thereof;
FIG. 8 is the stand for handheld electronic device in a second configuration;
FIG. 9 is the stand for handheld electronic device in a third configuration; and,
FIG. 10 is the stand for handheld electronic device in a fourth configuration.

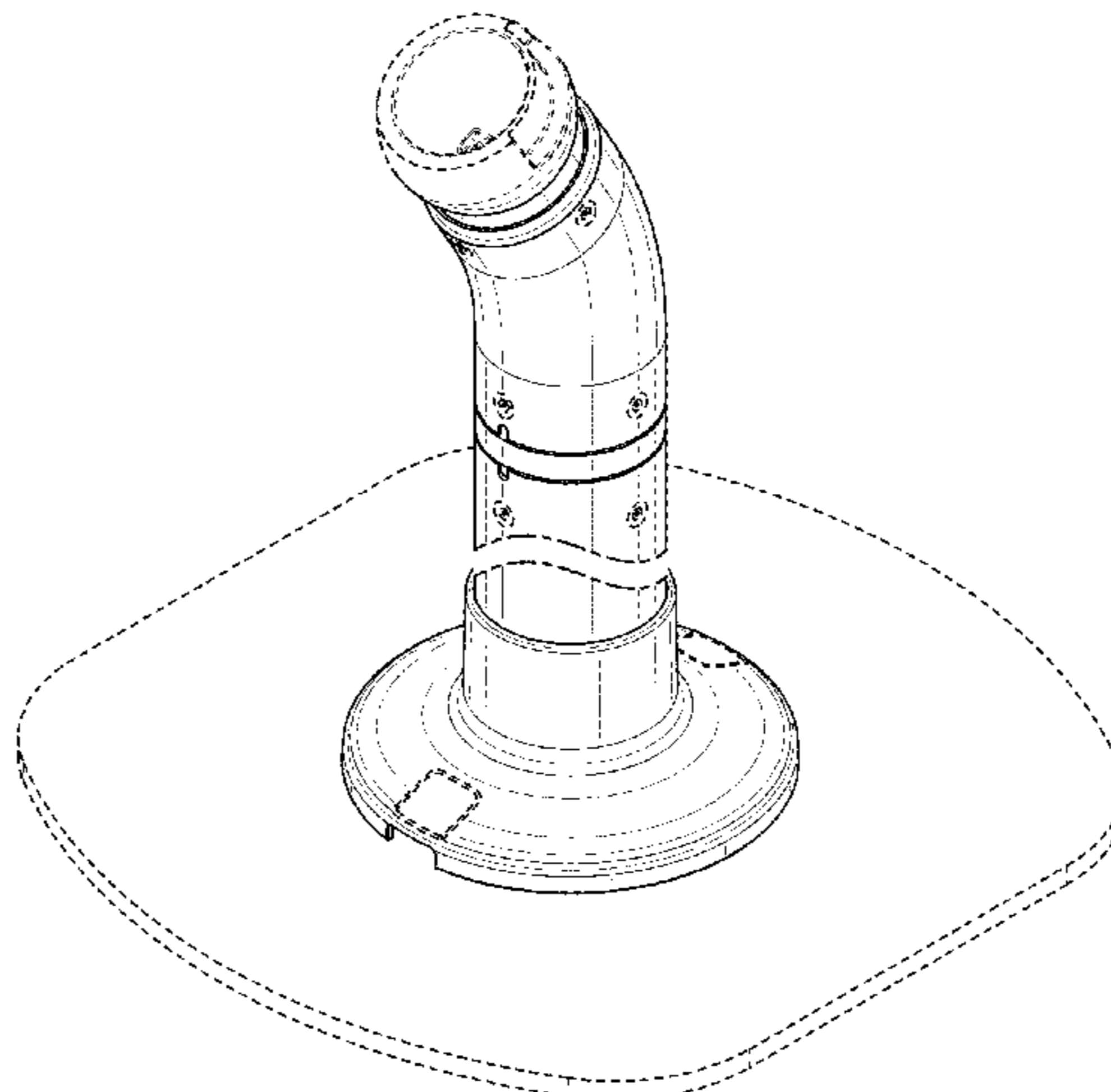
The lower portion of the stand is shown with symbolic breaks in its length. The appearance of any portion of the article between the two break lines forms no part of the claimed design. The broken lines immediately adjacent the shaded areas represent the bounds of the claimed design while all other broken lines are directed to environment and are for illustrative purposes only; the broken lines form no part of the claimed design.

(56) **References Cited**

U.S. PATENT DOCUMENTS

D309,307 S 7/1990 Sigurdson
D337,333 S 7/1993 Turk
D495,536 S 9/2004 Lucht
D522,010 S 5/2006 Piazza et al.
D545,825 S * 7/2007 Richter D14/251
D545,826 S * 7/2007 Richter D14/251
D562,331 S * 2/2008 Li D14/451

1 Claim, 10 Drawing Sheets



(56)

References Cited

U.S. PATENT DOCUMENTS

D594,251 S 6/2009 Leyden
 D602,024 S 10/2009 Richter
 D602,025 S * 10/2009 Richter D14/253
 D607,844 S 1/2010 Feldstein et al.
 D614,613 S 4/2010 Kim et al.
 D619,586 S * 7/2010 Richter D14/253
 D620,038 S 7/2010 Rix
 D629,405 S * 12/2010 Crysell D14/447
 D641,773 S 7/2011 Rix
 D644,681 S 9/2011 Rix
 D663,306 S 7/2012 Barbieri
 D663,972 S 7/2012 Alexander et al.
 D671,545 S 11/2012 Guran
 D678,297 S 3/2013 Willkomm
 D682,281 S 5/2013 Barnard et al.
 D686,216 S 7/2013 Hachadorian et al.
 D687,441 S 8/2013 Janzen
 D690,306 S 9/2013 Malisse et al.
 D691,150 S 10/2013 Stener
 D691,839 S 10/2013 Dallenbach
 D693,352 S 11/2013 Gelsomini et al.
 D696,674 S 12/2013 Vogel
 D704,156 S 5/2014 Lee et al.
 D704,713 S * 5/2014 Liniger D14/447
 D709,066 S 7/2014 Byun

D709,074 S * 7/2014 Tsui D14/447
 D724,072 S 3/2015 Jiang et al.
 D724,598 S 3/2015 Gelsomini et al.
 D727,333 S * 4/2015 Shih D14/447
 D729,222 S 5/2015 Grziwok et al.
 D733,156 S 6/2015 Choi et al.
 D733,157 S 6/2015 Kim et al.
 D733,526 S 7/2015 Delrue et al.
 D736,217 S 8/2015 Wang
 D744,621 S 12/2015 Shavatt et al.
 D748,098 S 1/2016 Khodapanah et al.
 D749,080 S * 2/2016 Su D14/447
 D751,565 S 3/2016 Gross
 D756,152 S 5/2016 Schwalbach et al.
 D771,614 S * 11/2016 Chang D14/253
 D771,734 S 11/2016 Samuels et al.
 D772,739 S * 11/2016 Browning D10/74
 D773,325 S 12/2016 Browning et al.
 D774,037 S 12/2016 Kang et al.
 D784,978 S 4/2017 Hobbs et al.
 D792,413 S 7/2017 Floersch et al.
 D792,414 S 7/2017 Floersch et al.
 D794,607 S 8/2017 Srouf
 D795,882 S 8/2017 Maldonado
 D797,748 S 9/2017 Robinson
 D798,874 S 10/2017 Klabukov et al.
 2011/0255219 A1 10/2011 Ou
 2014/0059828 A1 3/2014 Reynolds et al.

* cited by examiner

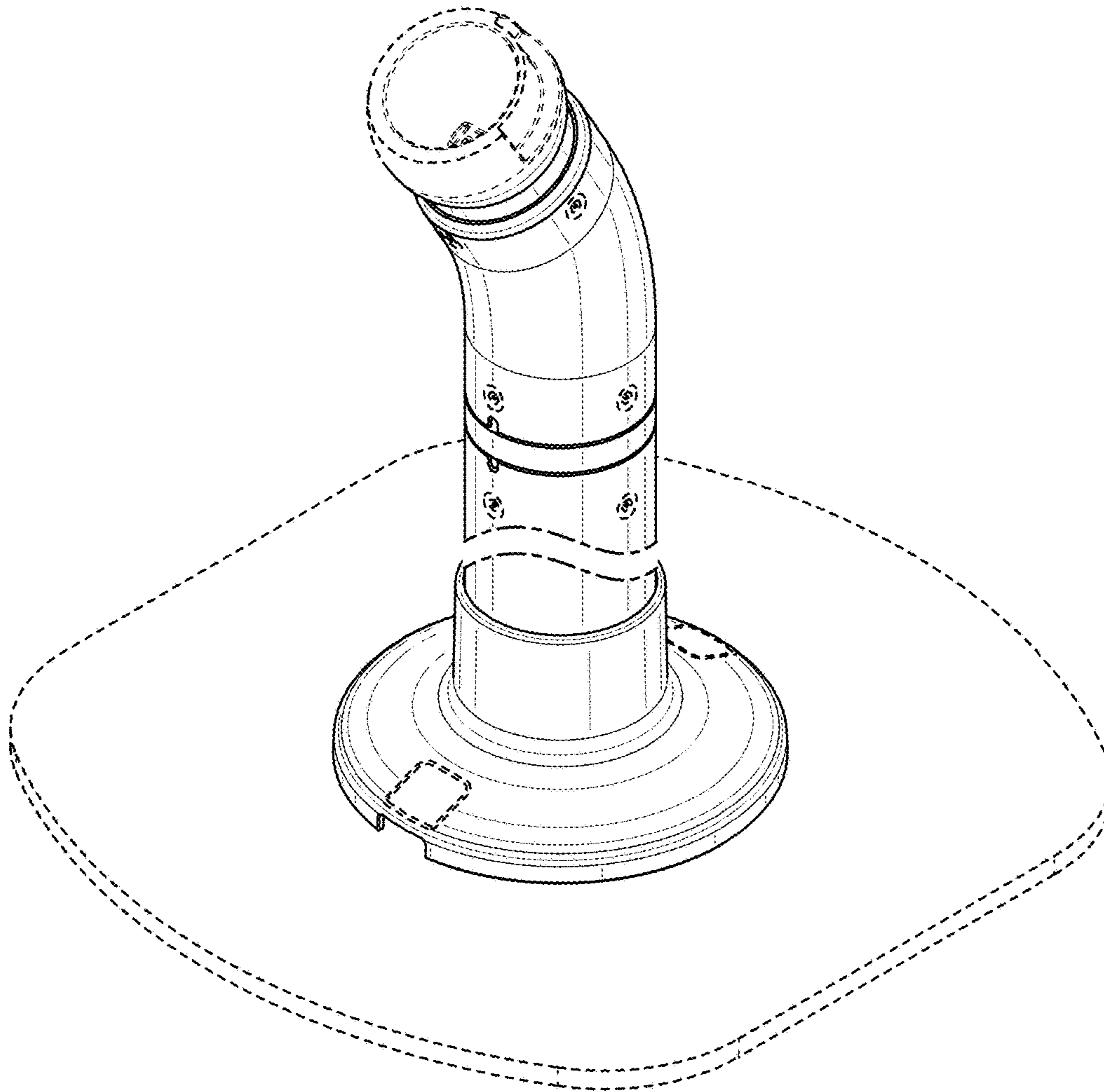


FIG. 1

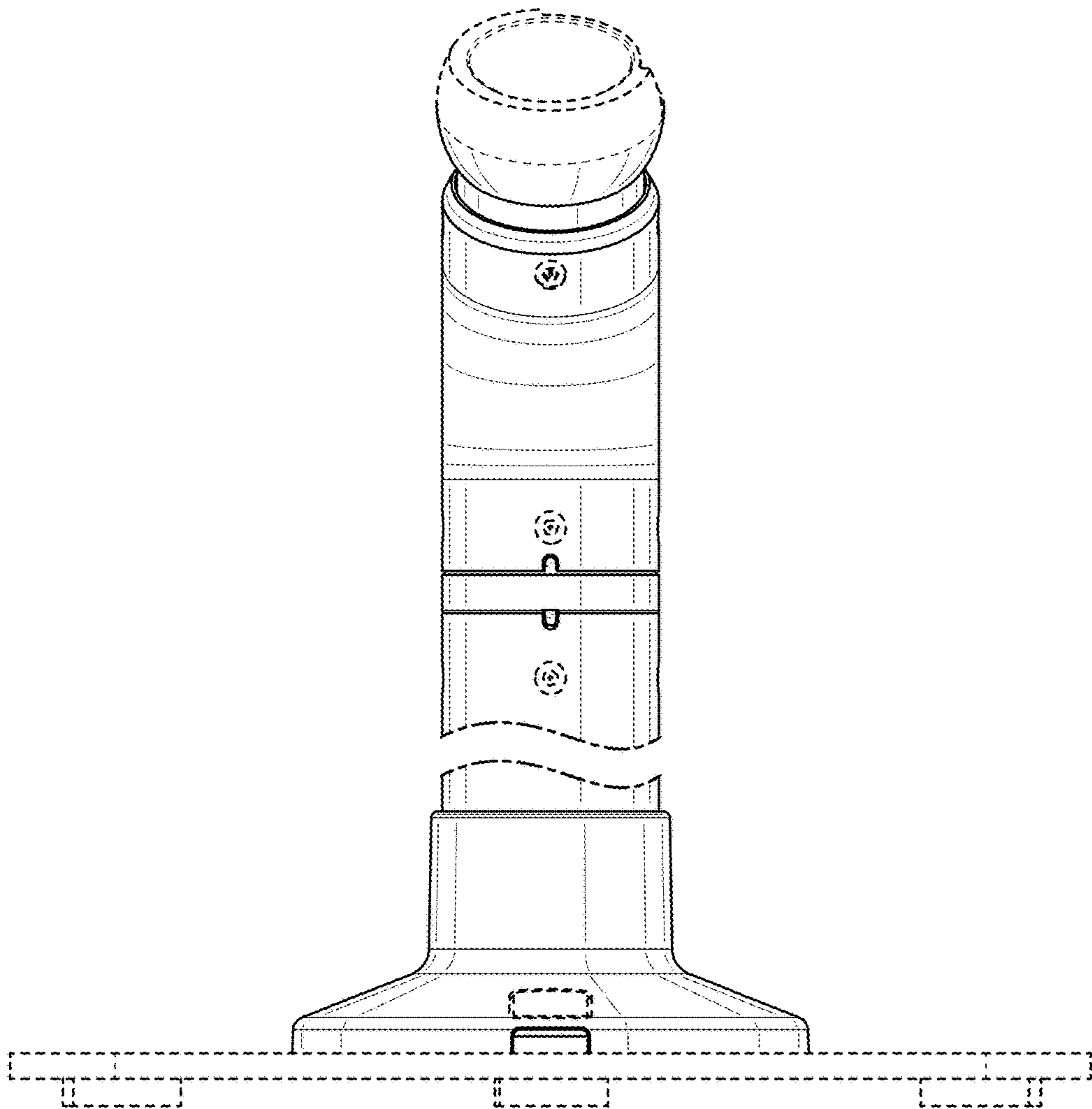


FIG. 2

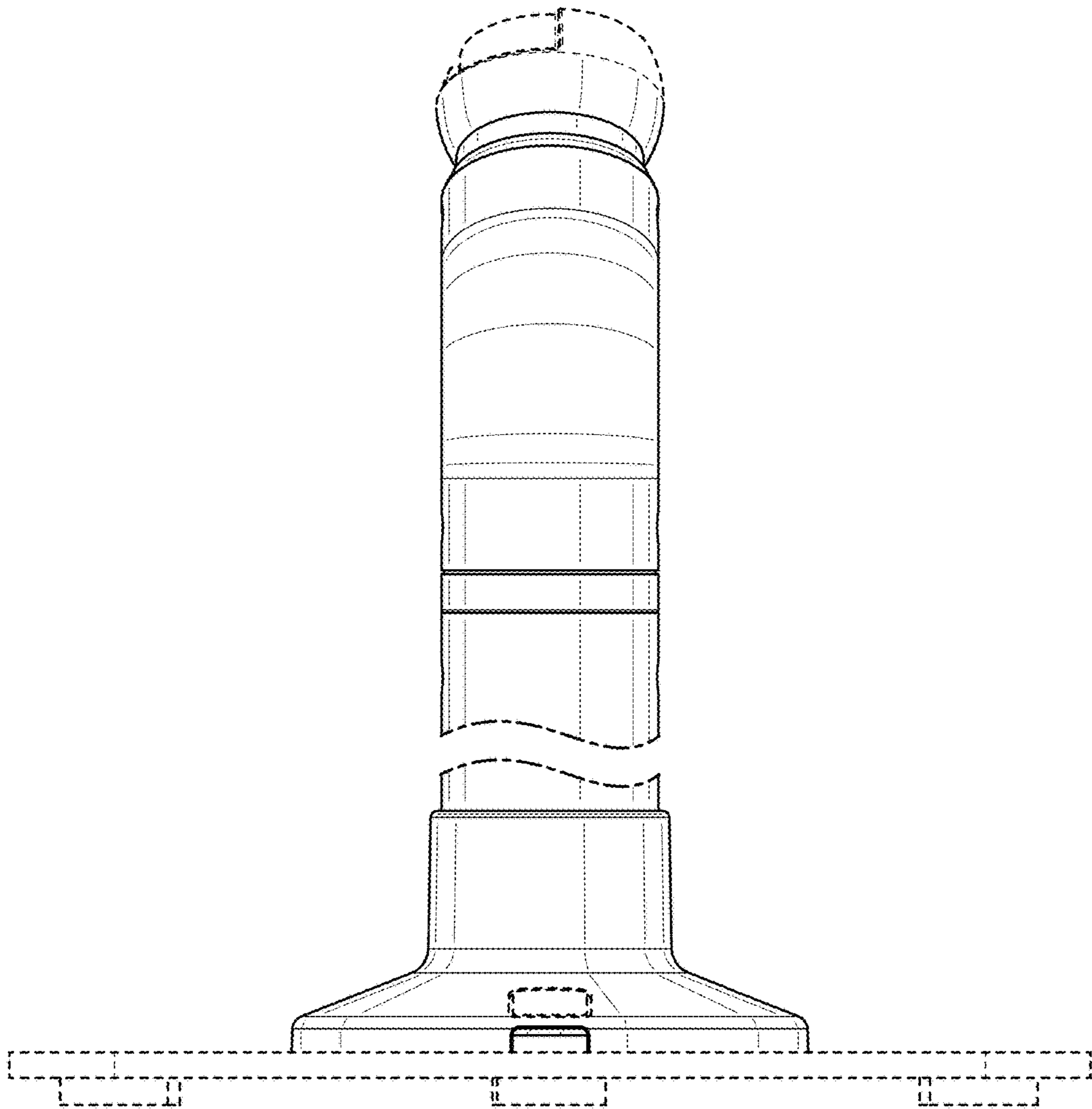


FIG. 3

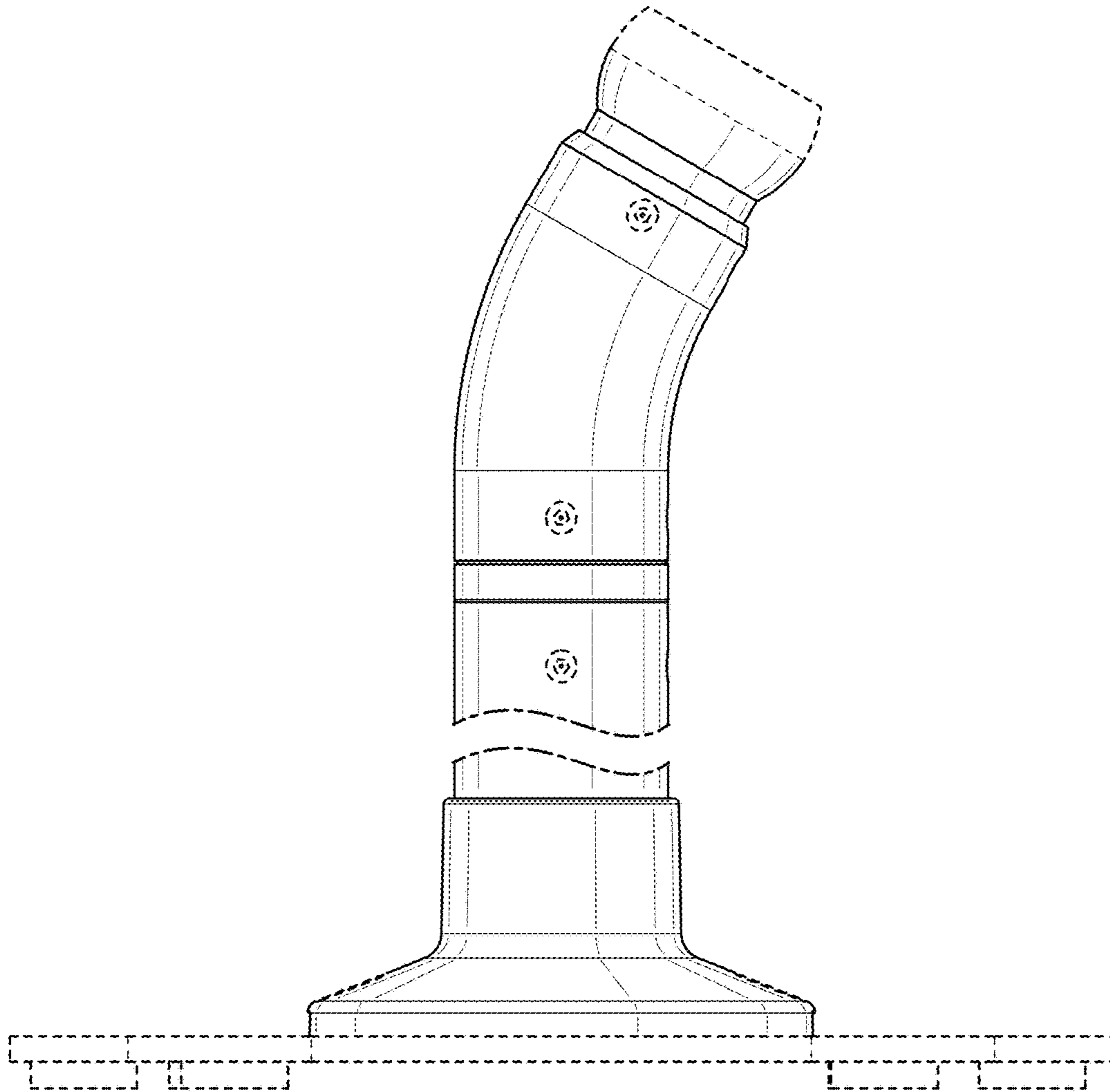


FIG. 4

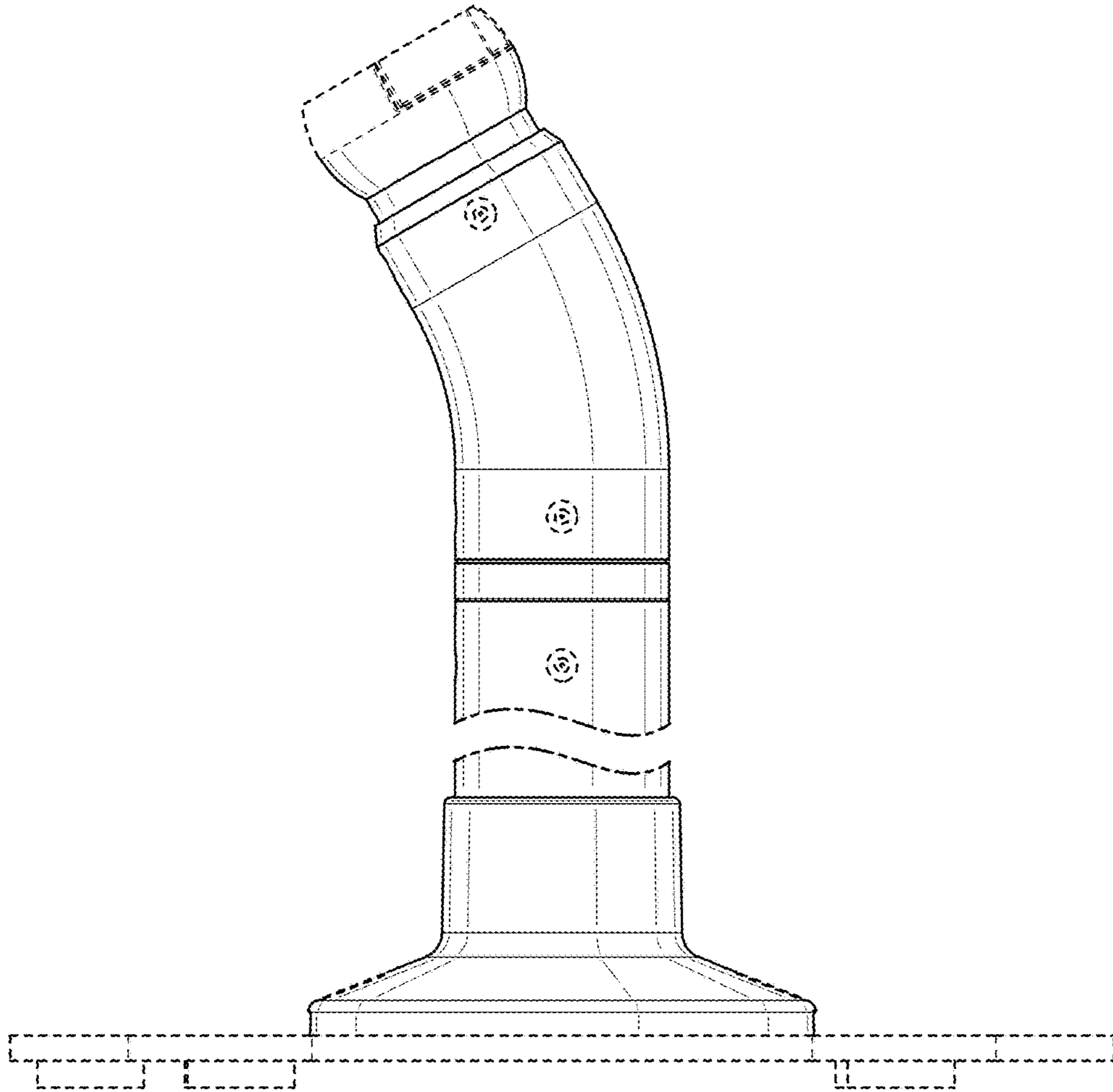


FIG. 5

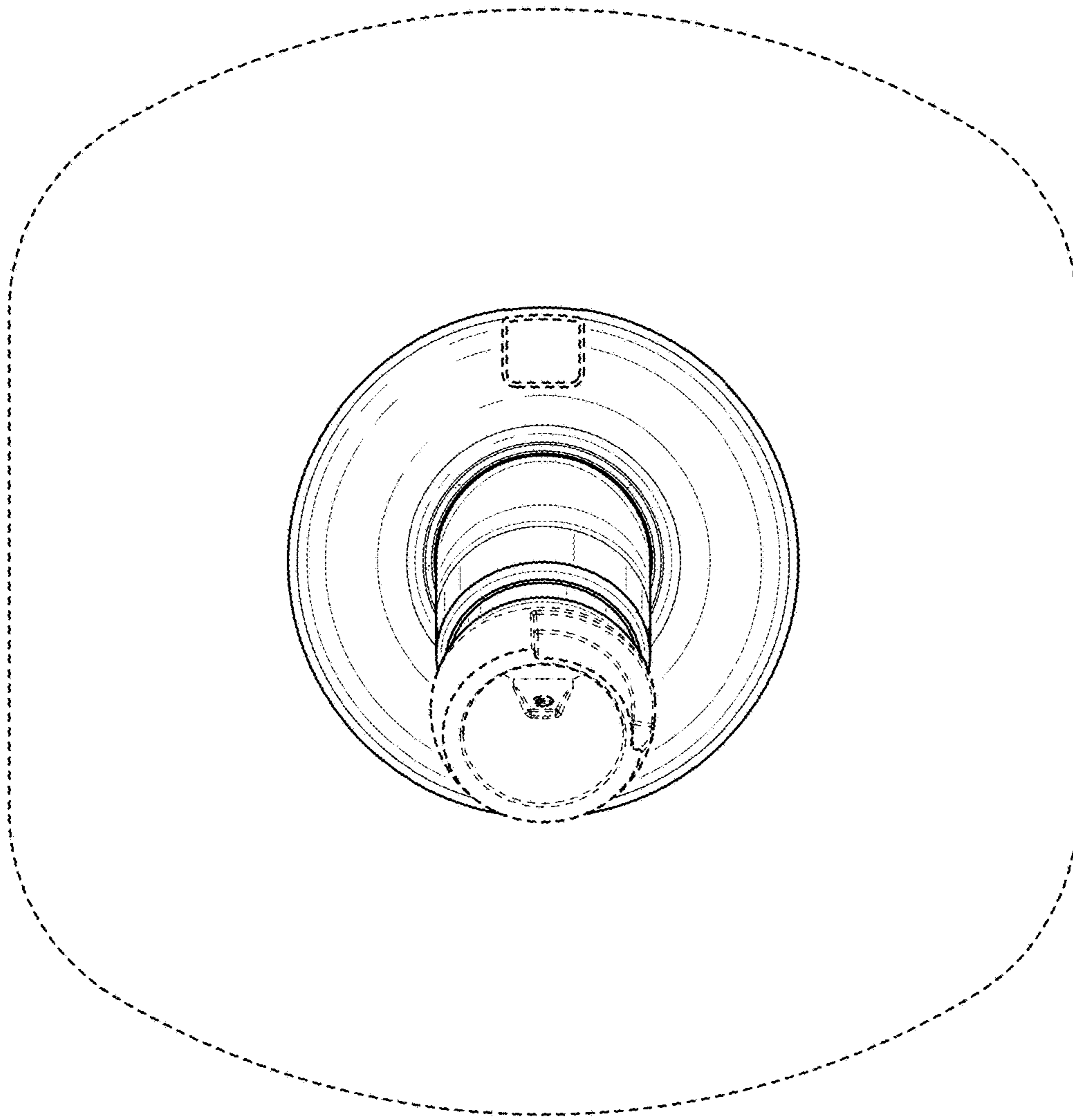


FIG. 6

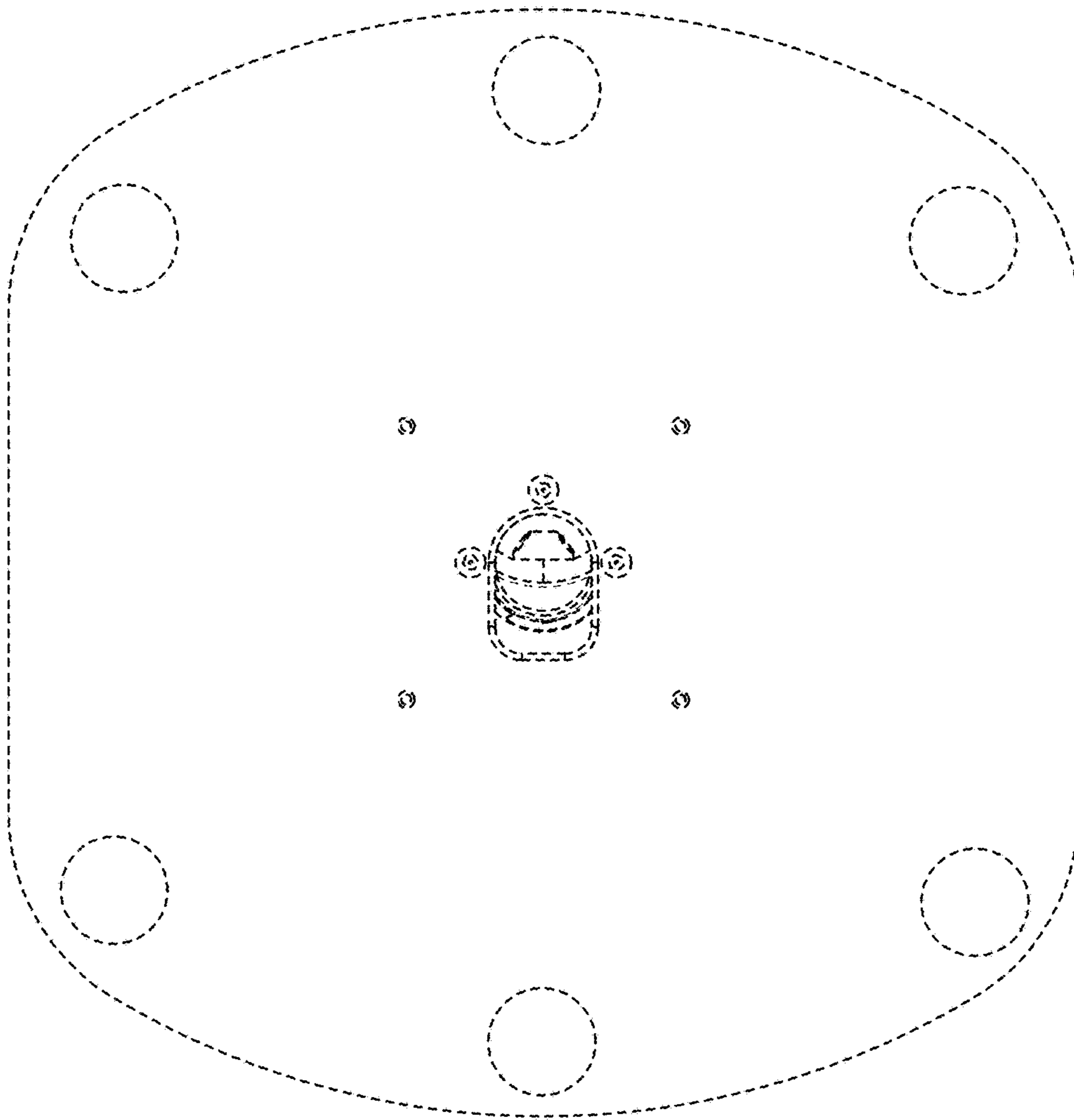


FIG. 7

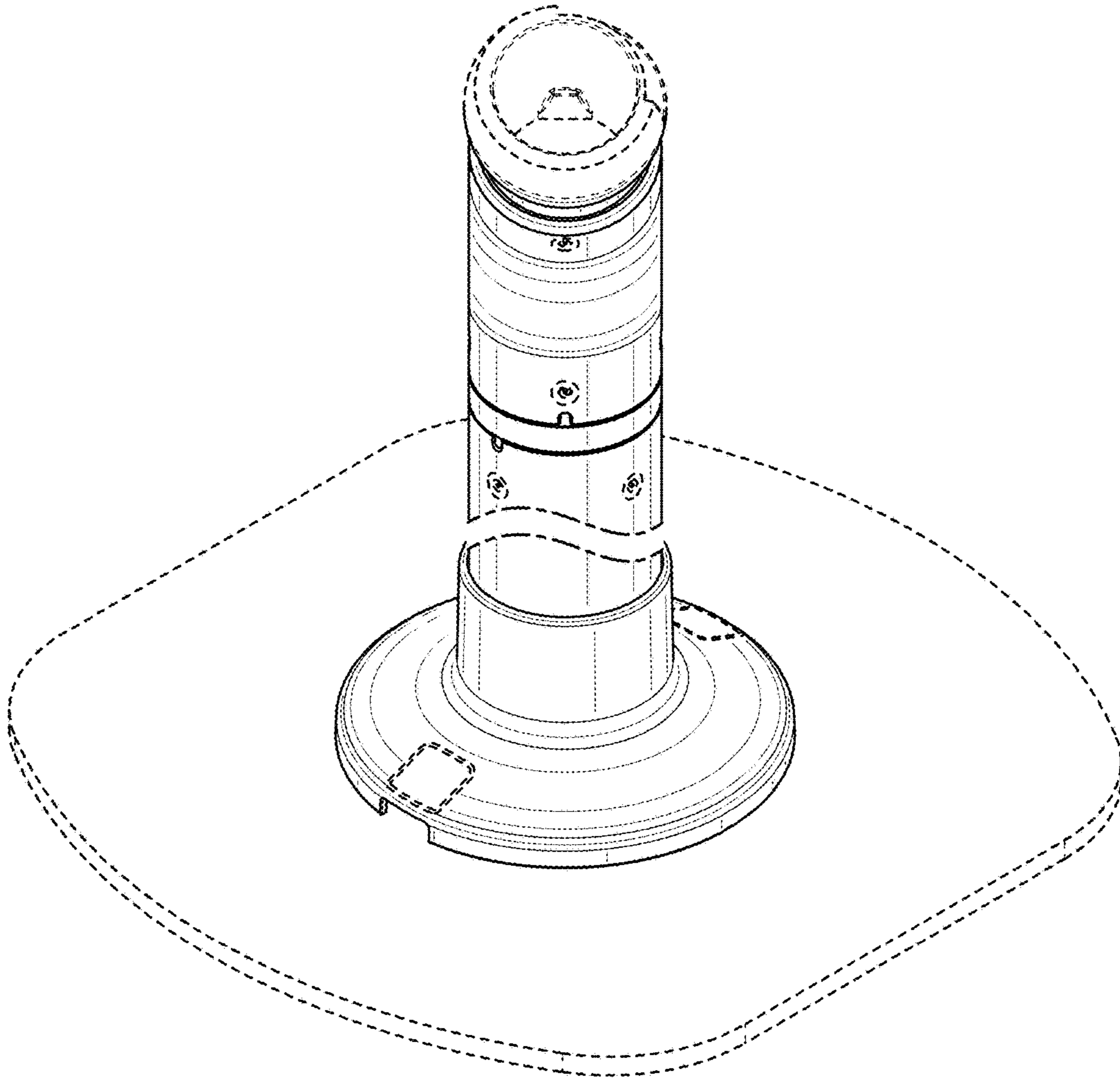


FIG. 8

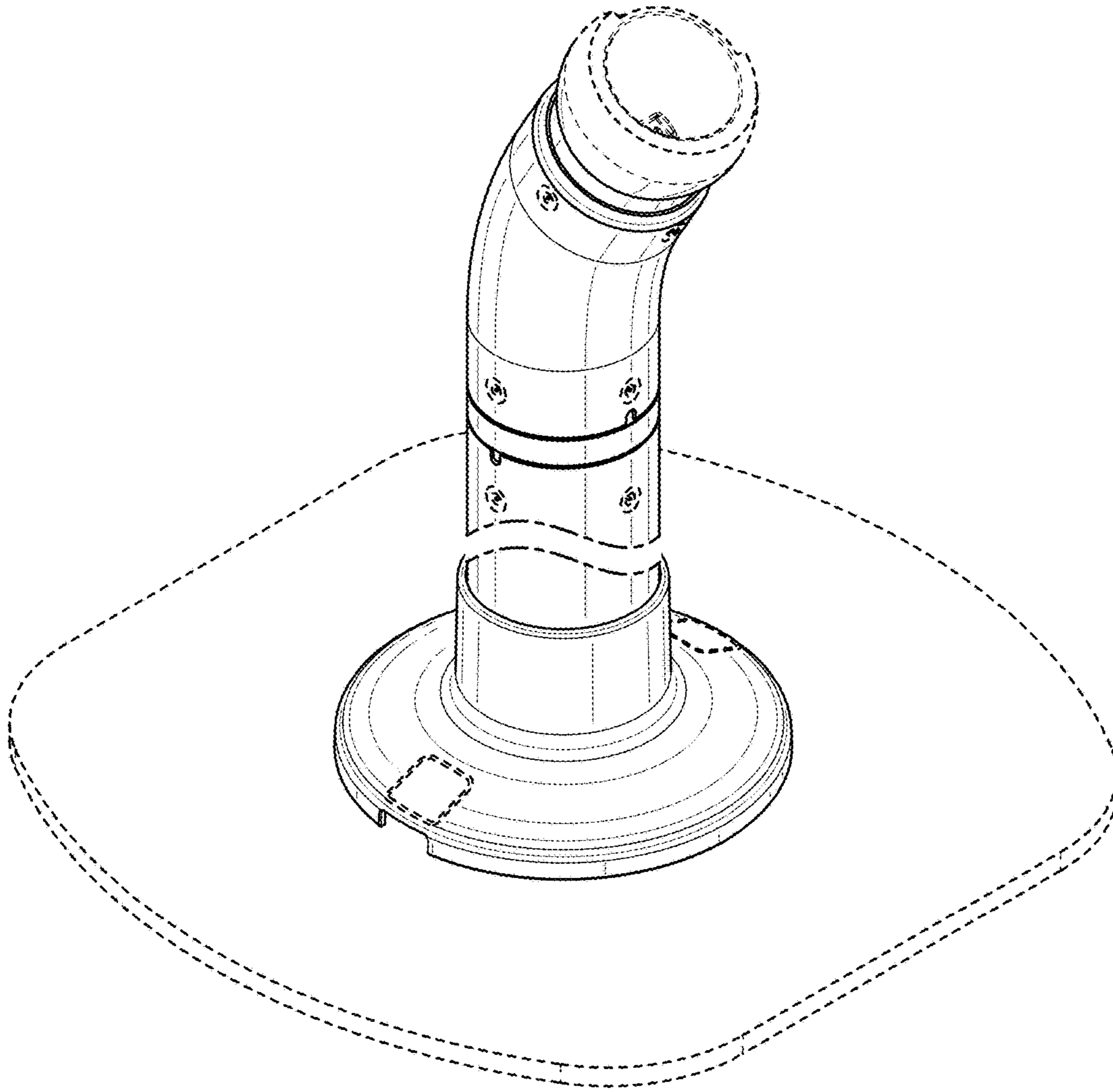


FIG. 9

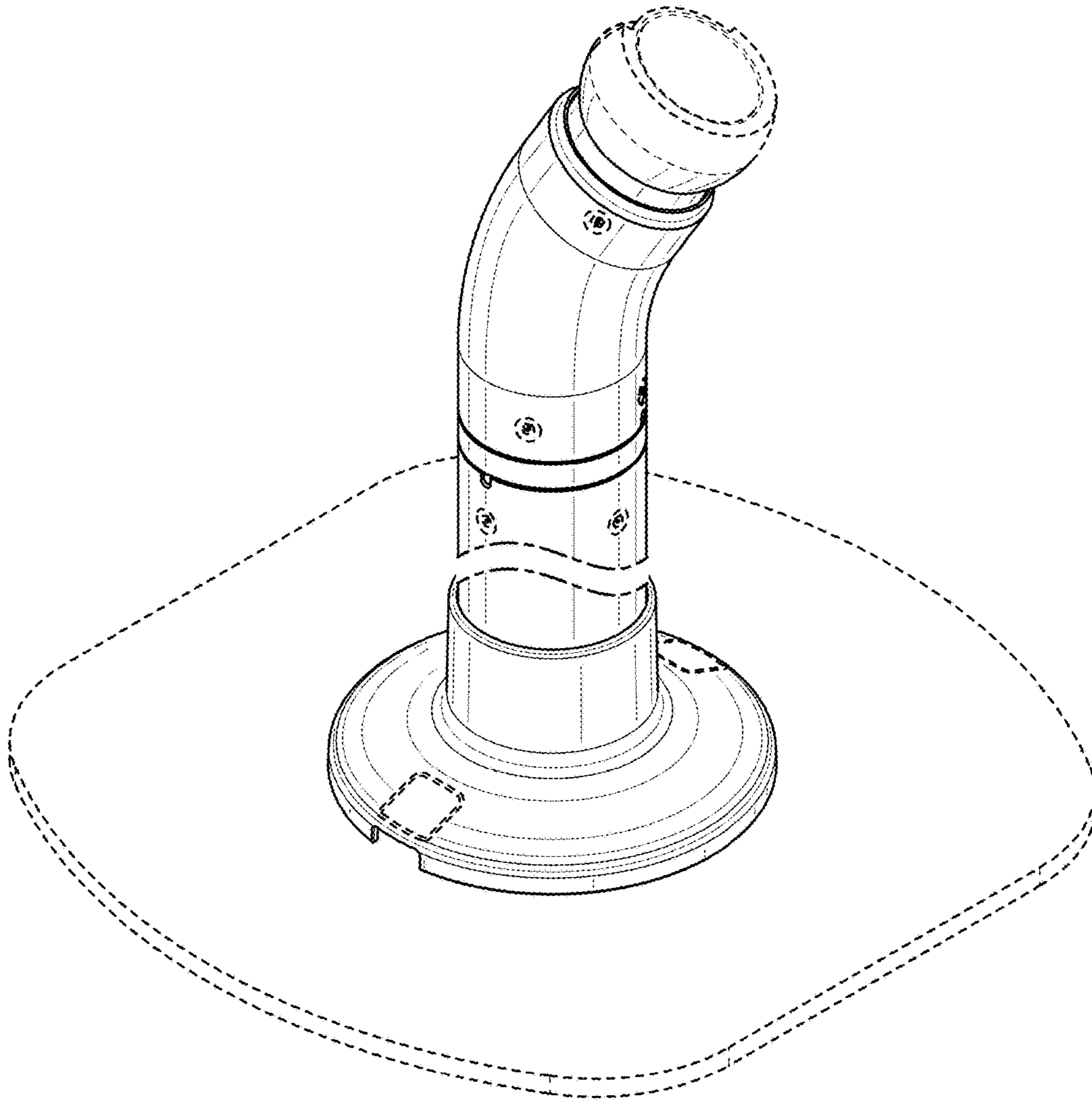


FIG. 10