



US00D824916S

(12) **United States Design Patent**
Chen

(10) **Patent No.:** **US D824,916 S**

(45) **Date of Patent:** **** Aug. 7, 2018**

(54) **HOLDER**

(71) Applicant: **Shenzhen Shenghaina Technology Co., Ltd.**, Shenzhen, Guangdong (CN)

(72) Inventor: **Xiaowei Chen**, Guangdong (CN)

(73) Assignee: **Shenzhen Shenghaina Technology Co., Ltd.**, Shenzhen (CN)

(**) Term: **15 Years**

(21) Appl. No.: **29/594,660**

(22) Filed: **Feb. 21, 2017**

(30) **Foreign Application Priority Data**

Feb. 9, 2017 (CN) 2017 3 0035383

(51) **LOC (11) Cl.** **08-07**

(52) **U.S. Cl.**
USPC **D14/447**

(58) **Field of Classification Search**

USPC D14/447, 432, 434, 439, 440, 451, 452,
D14/457, 239; D8/363, 373, 380;
D6/406.3, 406.4, 406.5, 406.6; D12/415
CPC A47B 21/04; A47B 2097/006; A47B
2097/005; A47B 2023/049; A45C
2011/002; A45C 2011/003; F16M
2200/00; F16M 13/00

See application file for complete search history.

(56) **References Cited**

U.S. PATENT DOCUMENTS

D344,076 S * 2/1994 Zahabi D14/447
5,358,208 A * 10/1994 Moseley, III A47B 21/0314
248/174

D559,850 S * 1/2008 Lye D14/447
D573,150 S * 7/2008 Sween D14/447
D591,303 S * 4/2009 Heggland D14/434
D645,865 S * 9/2011 Diehl D14/299
D697,514 S * 1/2014 Davis D14/447
D733,155 S * 6/2015 van Hooft D14/447
D786,883 S * 5/2017 Chen D14/447
D788,780 S * 6/2017 Chen D14/447
D788,781 S * 6/2017 Chen D14/447
D798,871 S * 10/2017 Avganim D14/447
D804,490 S * 12/2017 Wei D14/447

* cited by examiner

Primary Examiner — Angela J Lee

(74) *Attorney, Agent, or Firm* — Loza & Loza, LLP;
Michael Fedrick

(57) **CLAIM**

The ornamental design for a holder, as shown and described.

DESCRIPTION

FIG. 1 is a perspective view of the holder of the present invention;

FIG. 2 is a front view thereof;

FIG. 3 is a rear view thereof;

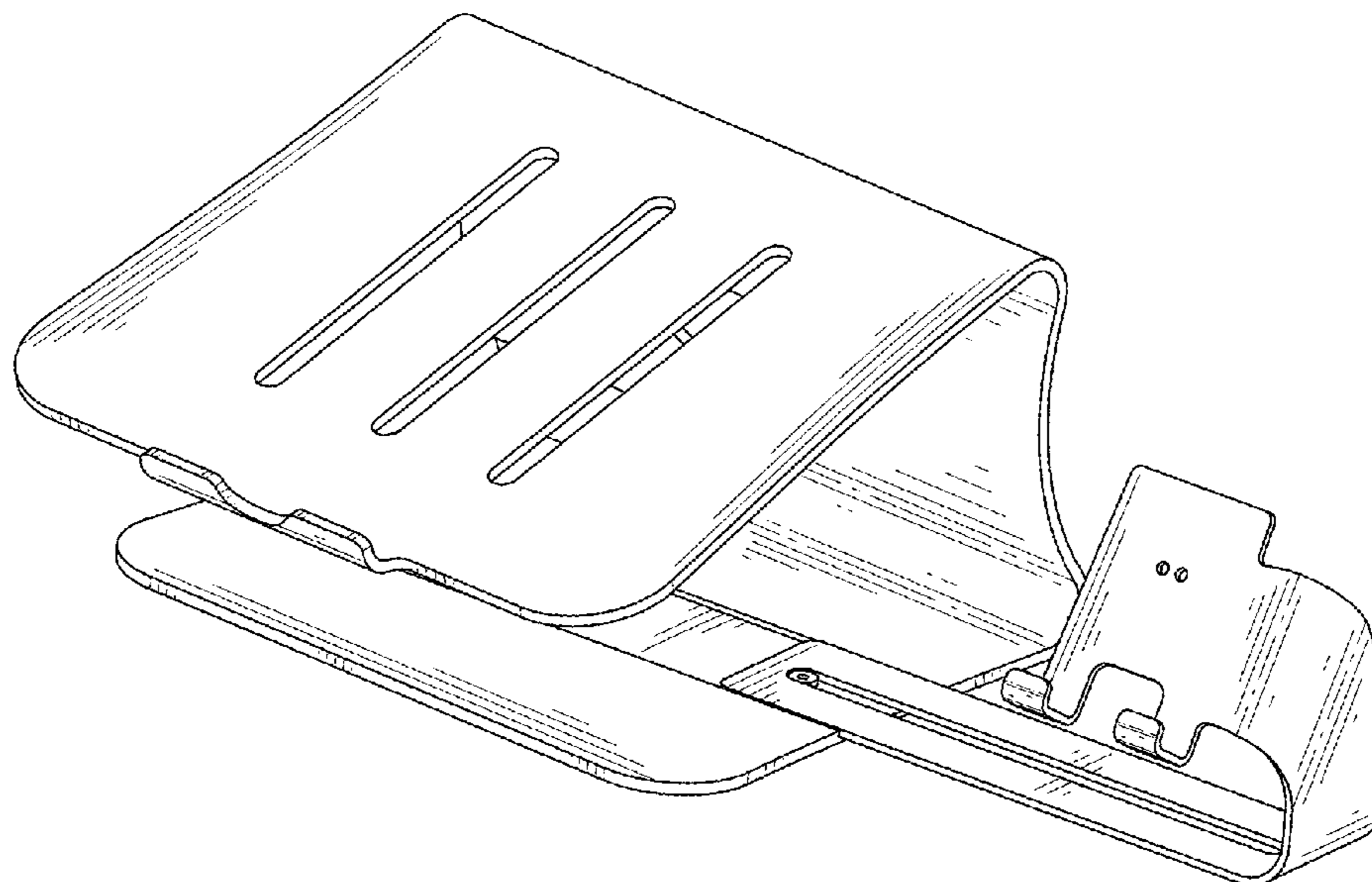
FIG. 4 is a left side view thereof;

FIG. 5 is a right side view thereof;

FIG. 6 is a top view thereof; and,

FIG. 7 is a bottom view thereof.

1 Claim, 7 Drawing Sheets



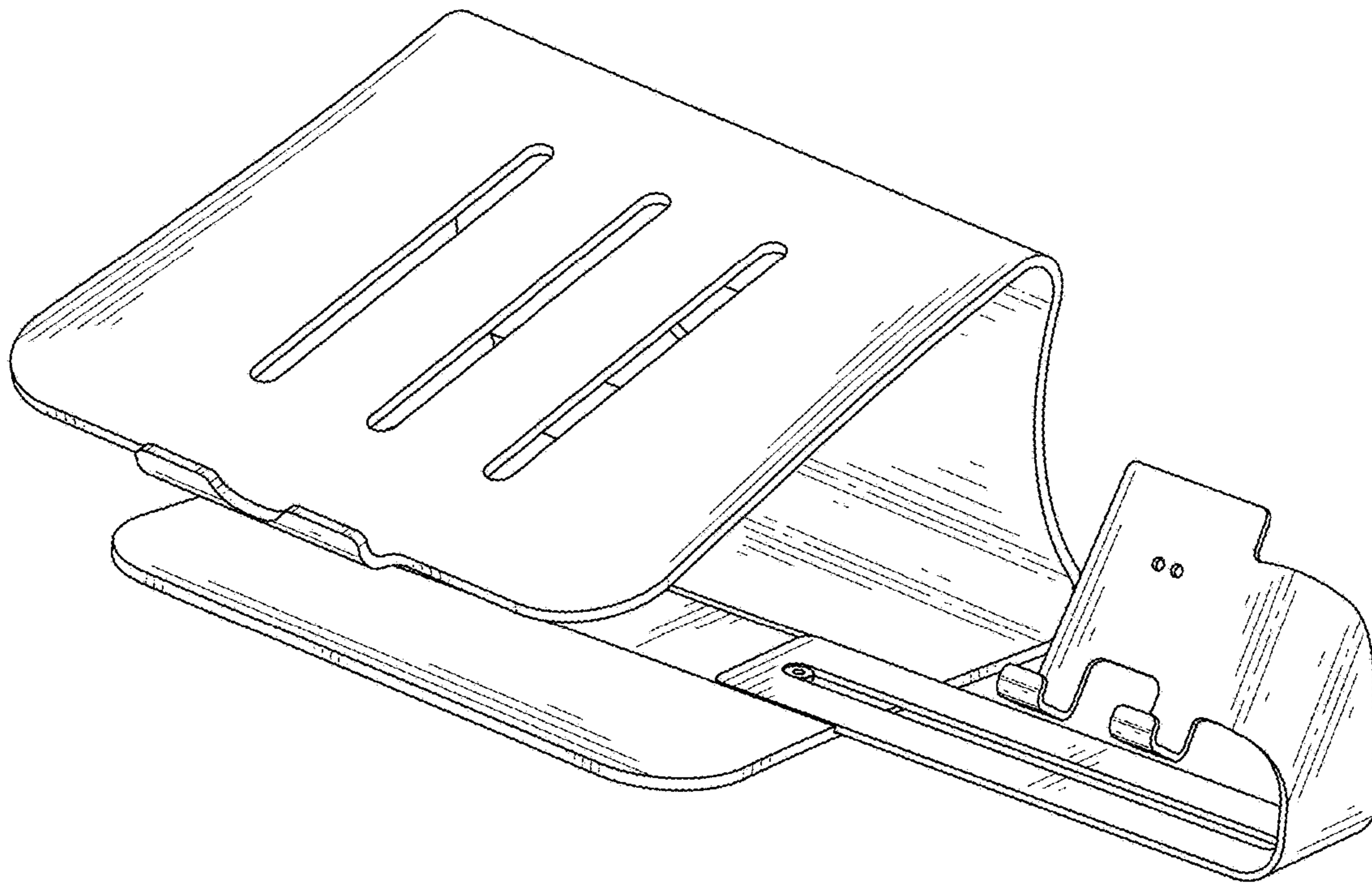


FIG. 1

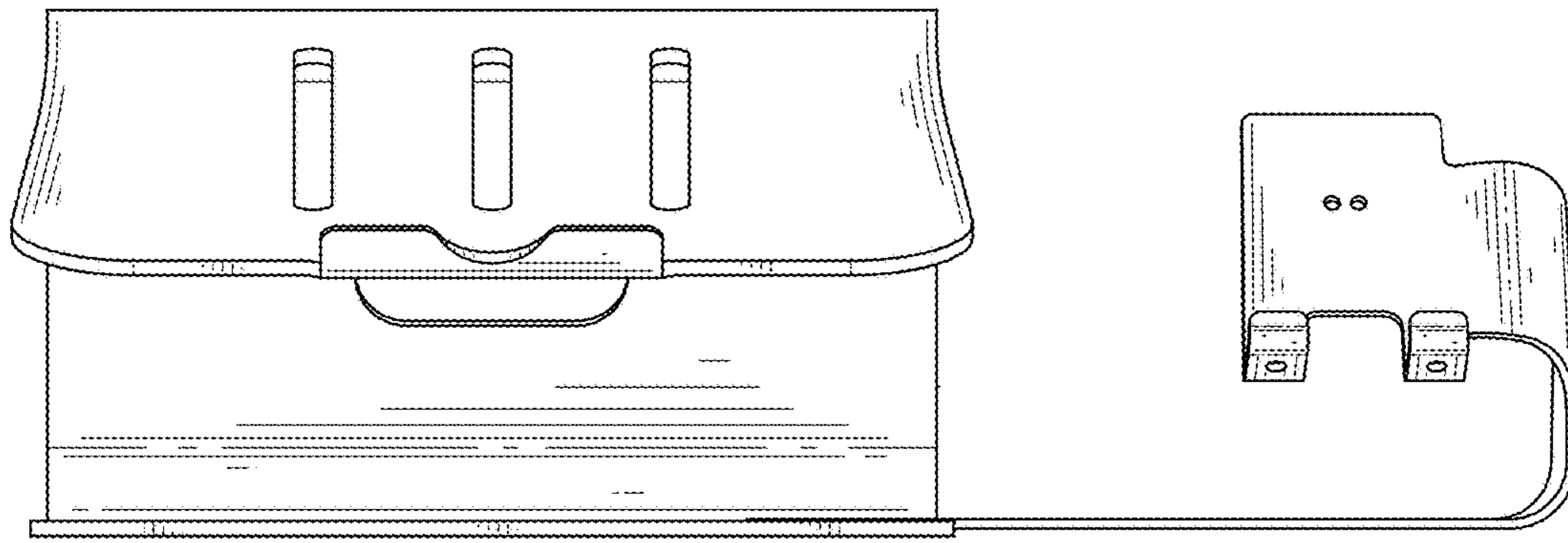


FIG. 2

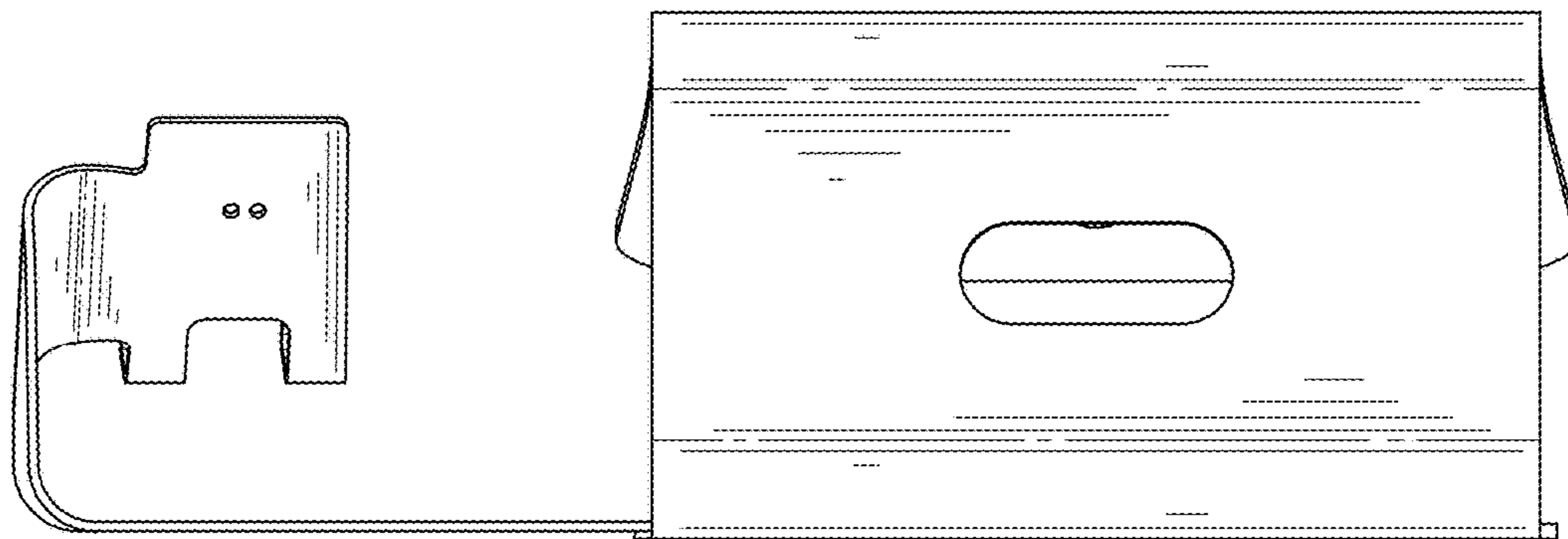


FIG. 3

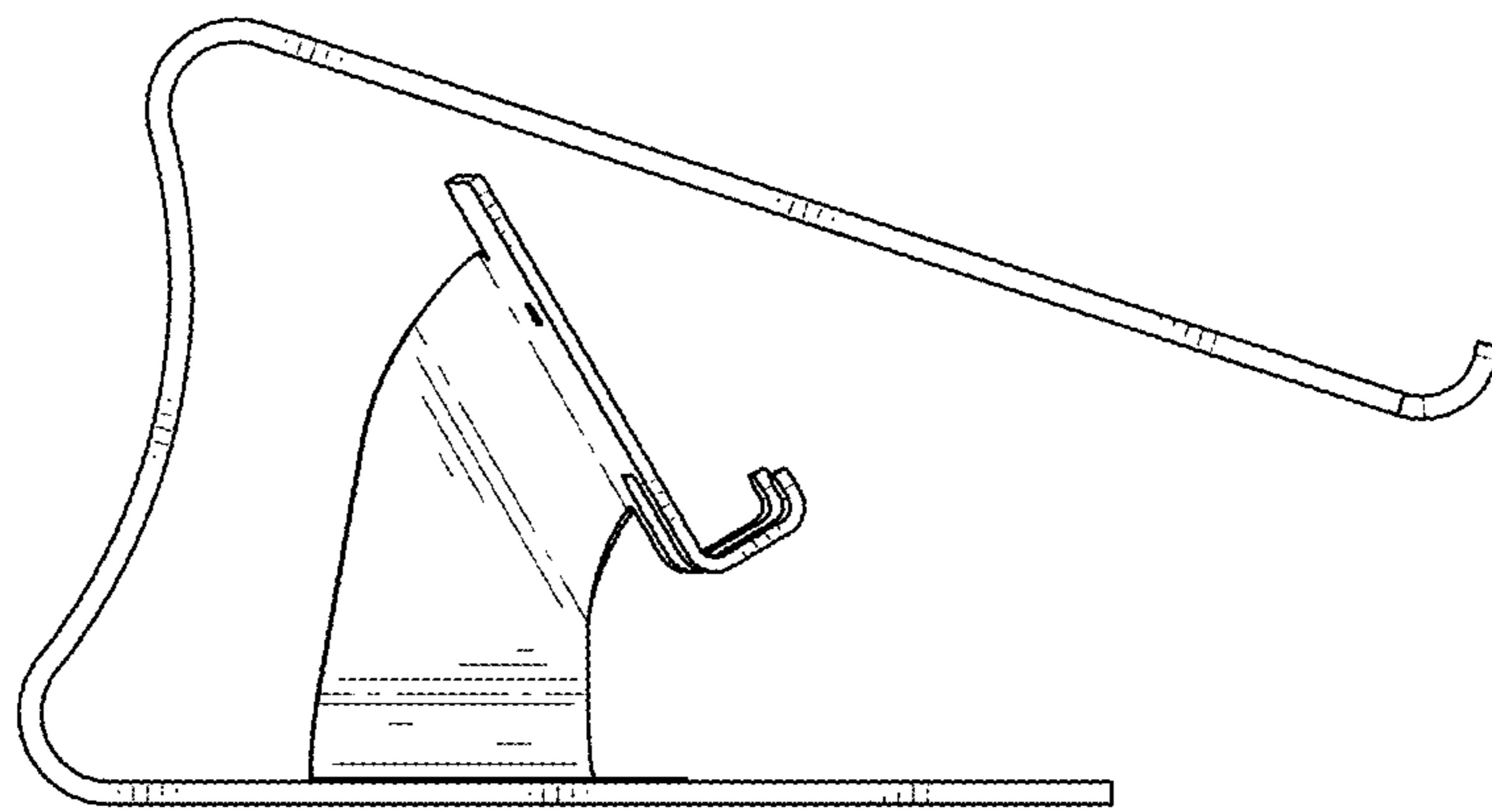


FIG. 4

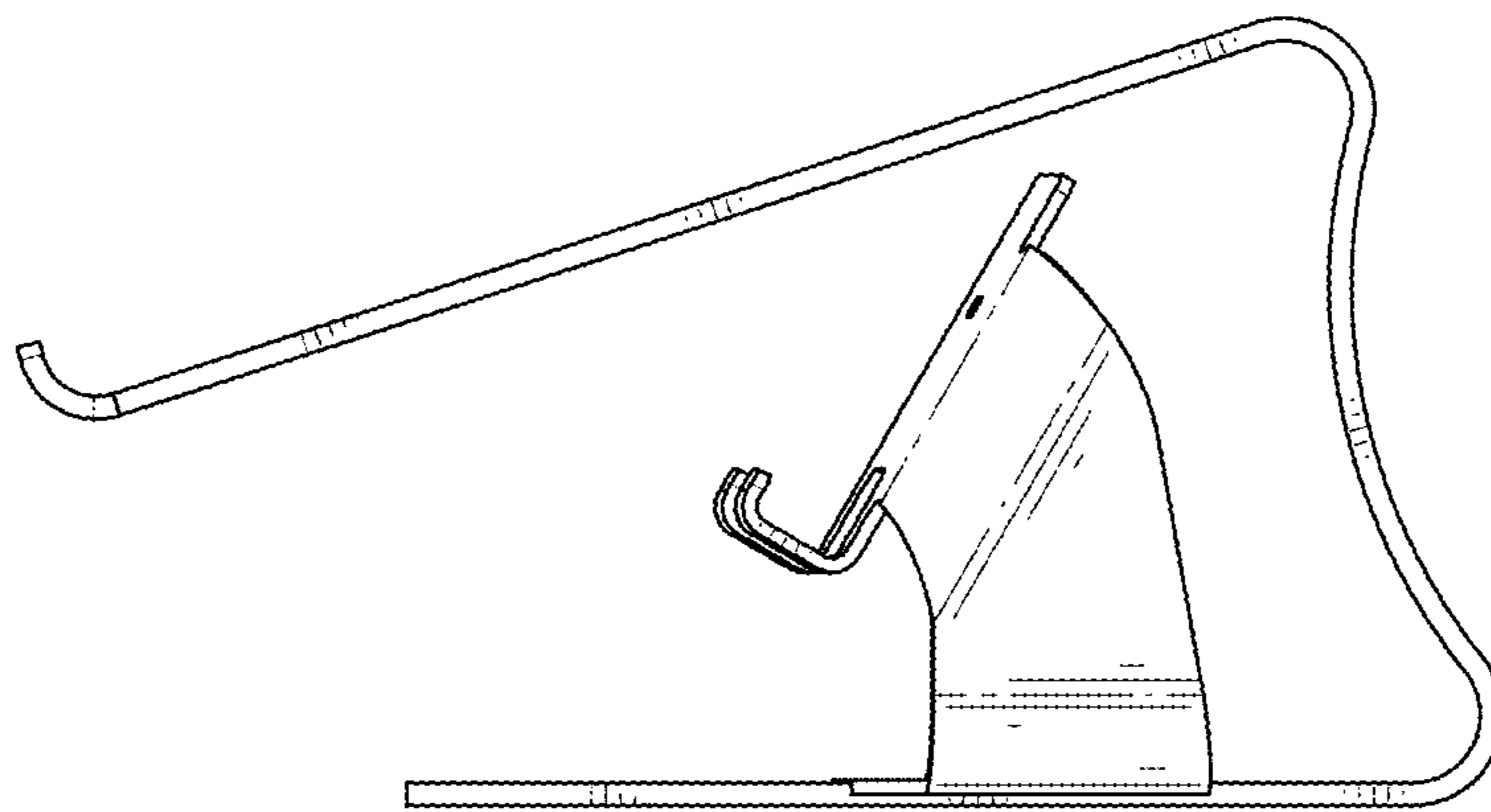


FIG. 5

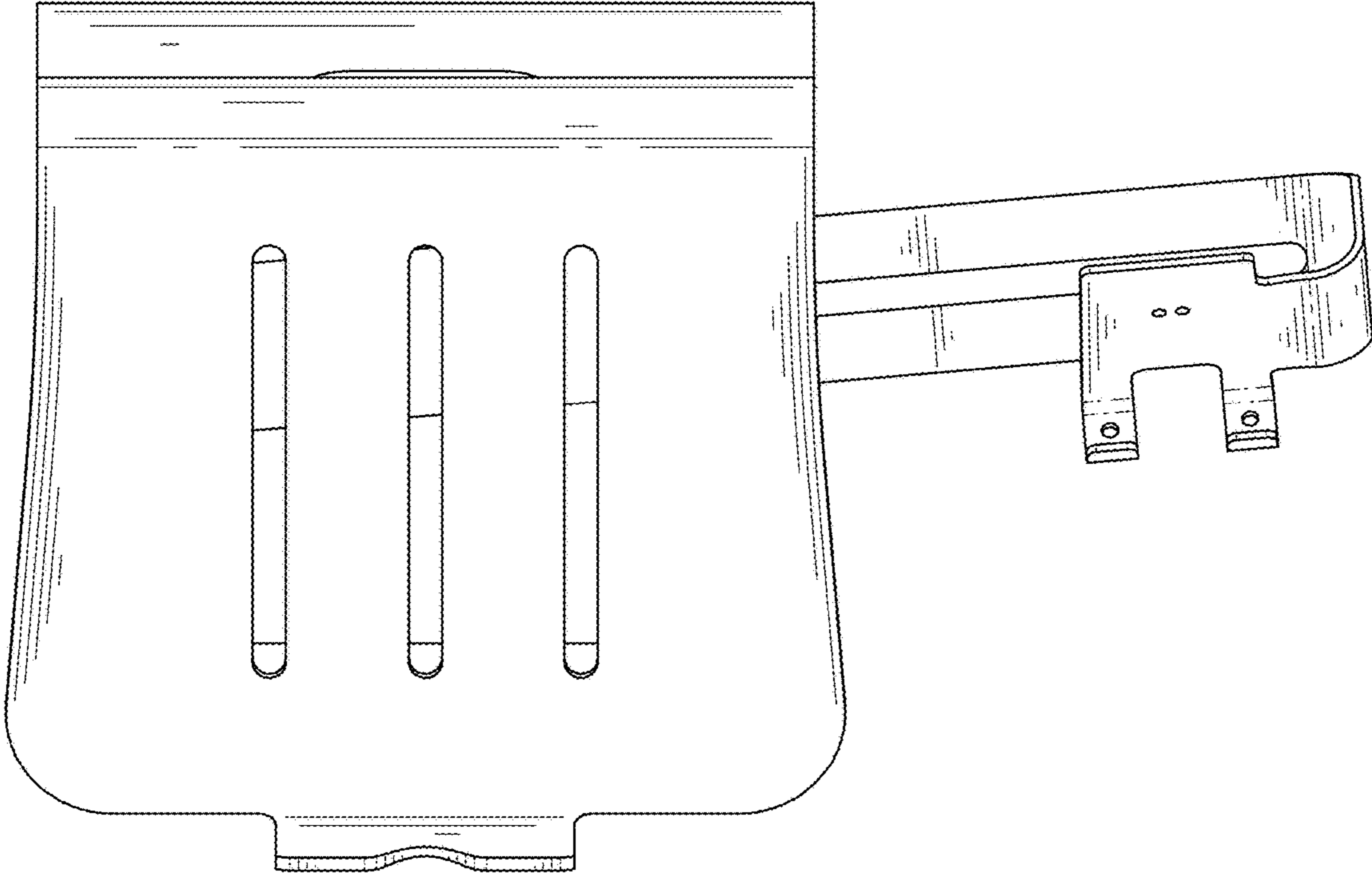


FIG. 6

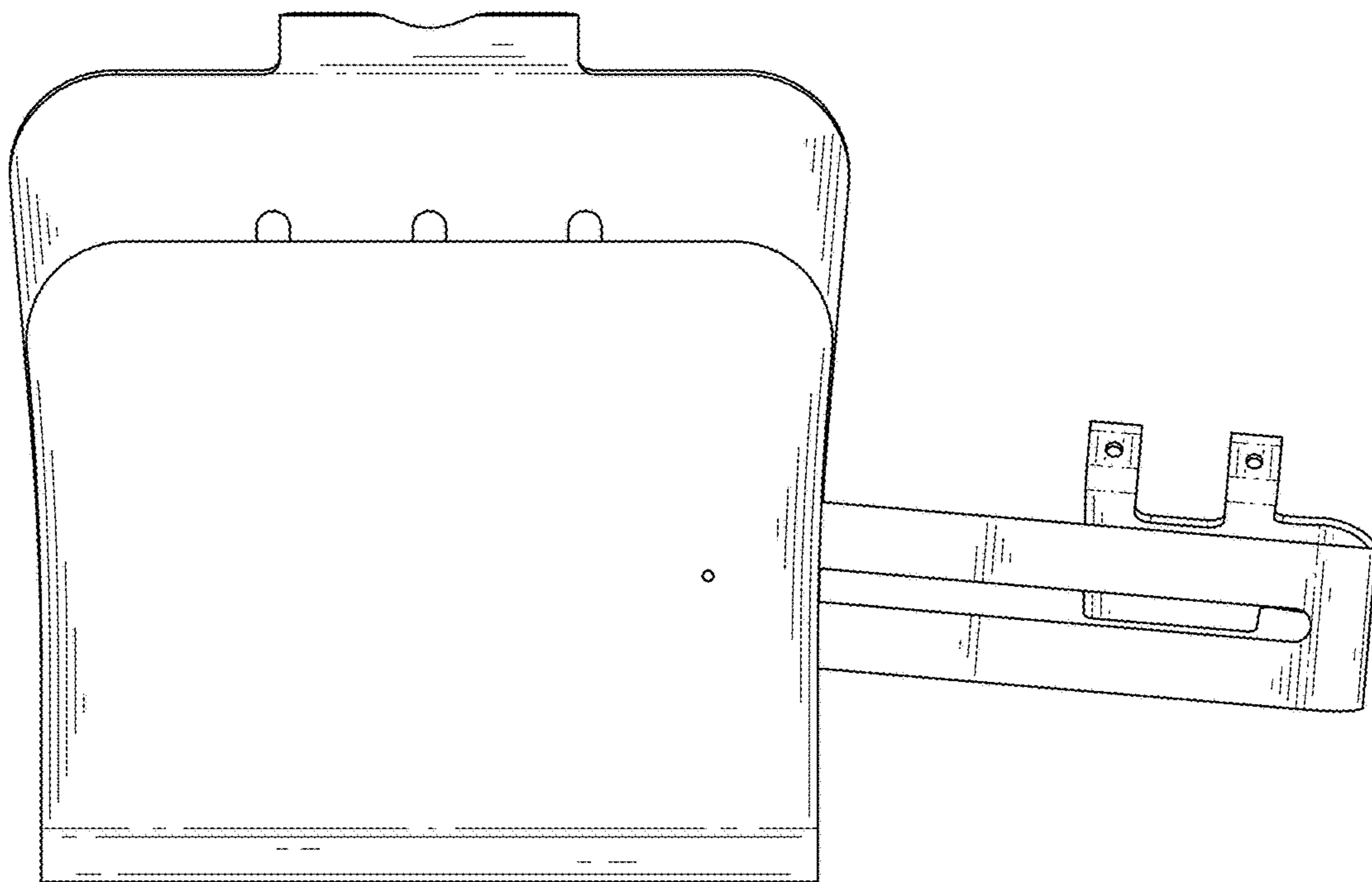


FIG. 7