



US00D824915S

(12) **United States Design Patent**
Hsu et al.

(10) **Patent No.:** **US D824,915 S**

(45) **Date of Patent:** **** Aug. 7, 2018**

- (54) **MULTIPURPOSE SUPPORT DEVICE**
- (71) Applicants: **Shih-Hsiang Hsu**, Hualien (TW); **Eric C. Luo**, Plano, TX (US)
- (72) Inventors: **Shih-Hsiang Hsu**, Hualien (TW); **Eric C. Luo**, Plano, TX (US)
- (**) Term: **15 Years**

D667,012 S *	9/2012	Chen	D14/447
D697,514 S *	1/2014	Davis	D14/447
D703,214 S *	4/2014	Lye	D14/447
D703,677 S *	4/2014	Bigazzi	D14/447
D715,804 S *	10/2014	Frenzel	D14/447
D754,135 S *	4/2016	Cromack	D14/447
D779,478 S *	2/2017	Justiss	D14/253
D781,865 S *	3/2017	Hsu	D14/447
D783,627 S *	4/2017	Hsu	D14/447
D784,355 S *	4/2017	Hsu	D14/447

- (21) Appl. No.: **29/594,268**
- (22) Filed: **Feb. 16, 2017**
- (51) **LOC (11) Cl.** **08-07**
- (52) **U.S. Cl.**
USPC **D14/447**
- (58) **Field of Classification Search**
USPC D14/447, 432, 434, 439, 440, 451, 452,
D14/457, 239; D8/363, 373, 380;
D6/406.3, 406.4, 406.5, 406.6; D12/415
CPC A47B 21/04; A47B 2097/006; A47B
2097/005; A47B 2023/049; A45C
2011/002; A45C 2011/003; F16M
2200/00; F16M 13/00
See application file for complete search history.

* cited by examiner

Primary Examiner — Angela J Lee
(74) *Attorney, Agent, or Firm* — Winstead PC

(57) **CLAIM**

The ornamental design for a multipurpose support device, as shown and described.

DESCRIPTION

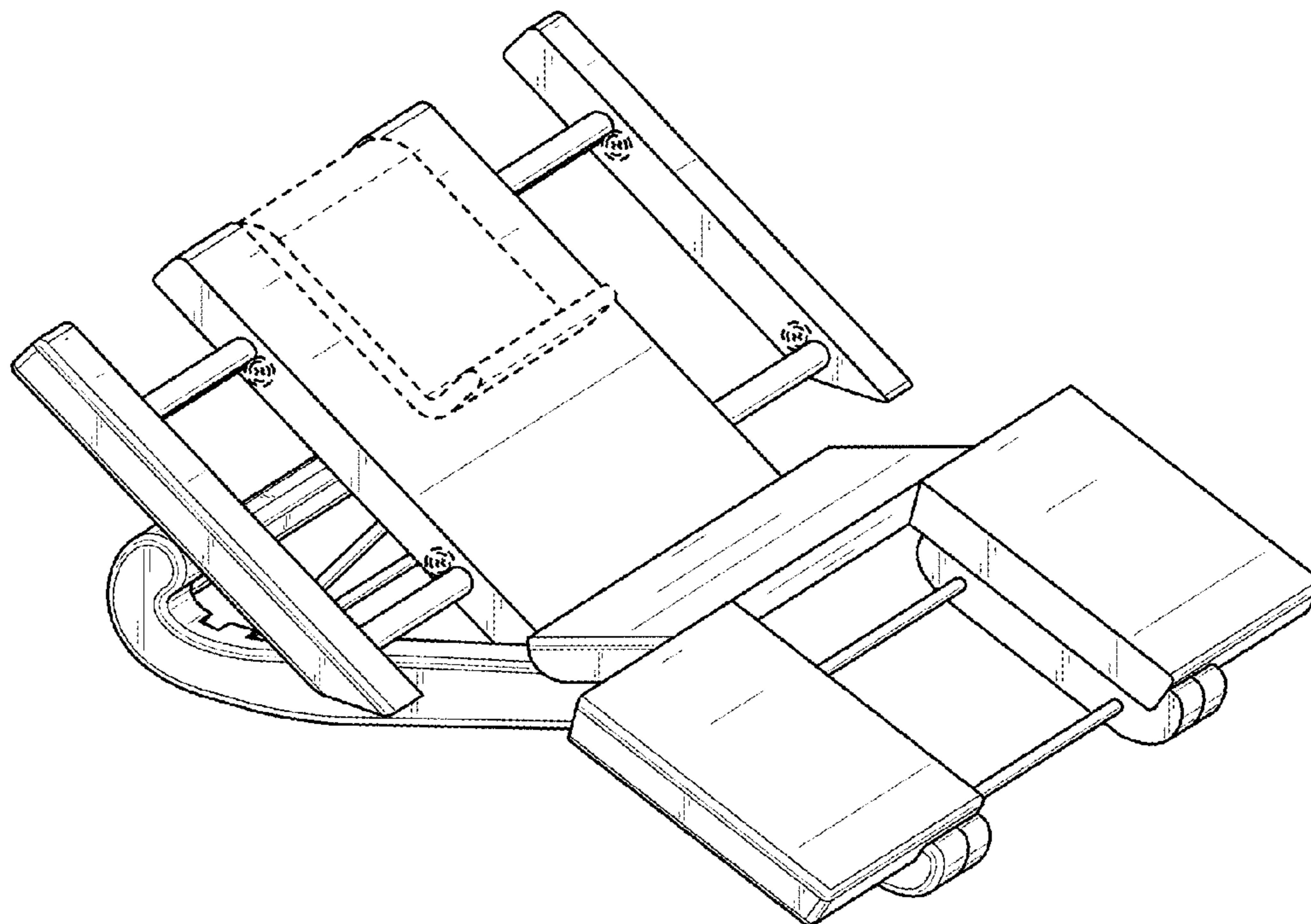
FIG. 1 is a perspective view of a multipurpose support device in accordance with the design; FIG. 2 is a front view thereof; FIG. 3 is a back view thereof; FIG. 4 is a left side view thereof; FIG. 5 is a right side view thereof; FIG. 6 is a top plan view thereof; and, FIG. 7 is a bottom plan view thereof. The broken lines shown in the drawings represent portions of the multipurpose support device that form no part of the claimed design.

(56) **References Cited**

U.S. PATENT DOCUMENTS

D575,546 S *	8/2008	Tsay	D14/457
D644,230 S *	8/2011	Lin	D14/447
D665,812 S *	8/2012	Huang	D14/447

1 Claim, 7 Drawing Sheets



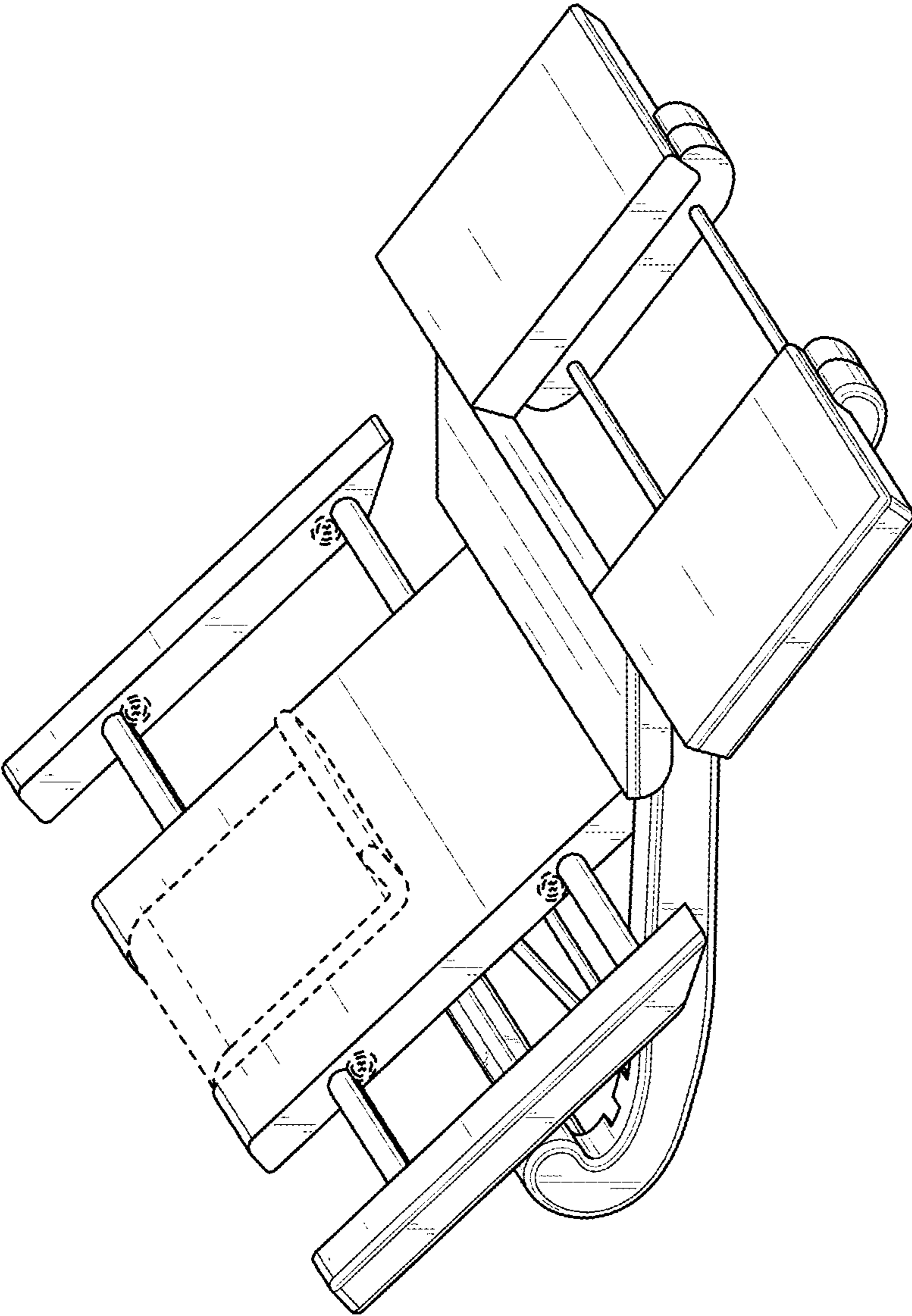


FIG. 1

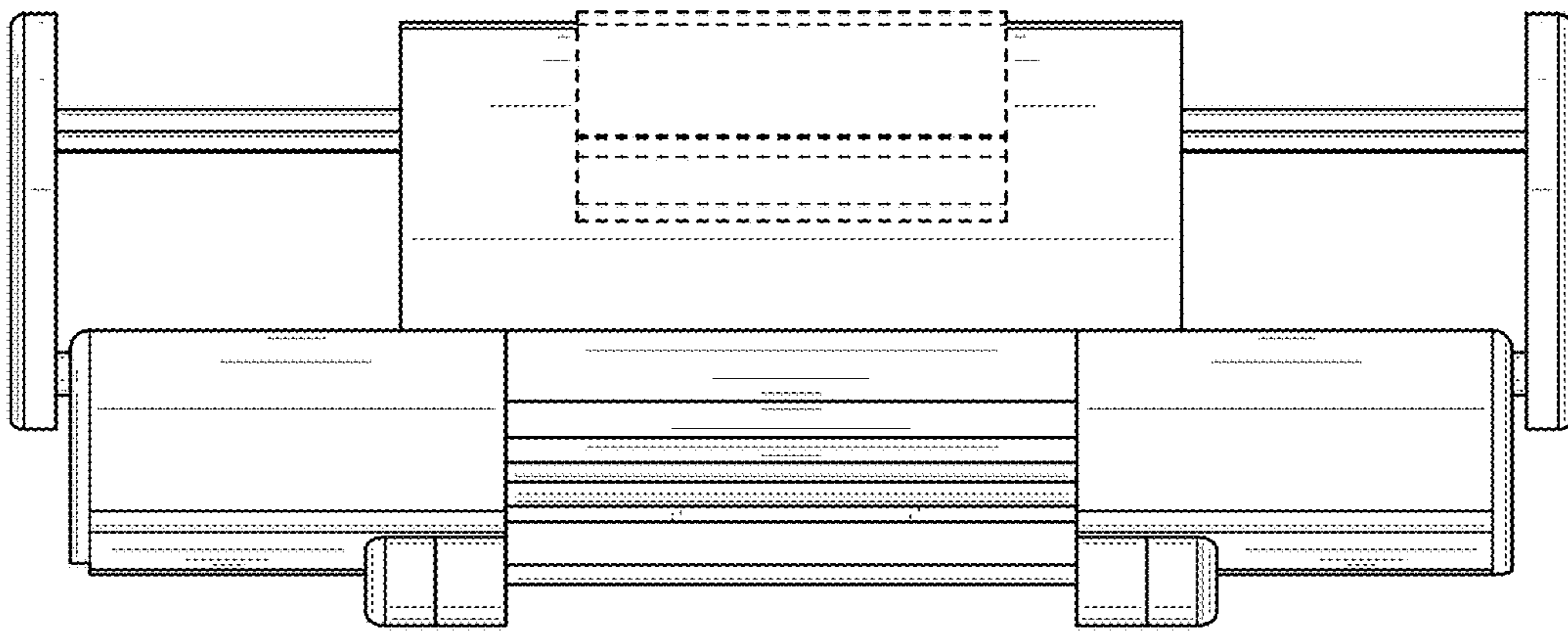


FIG. 2

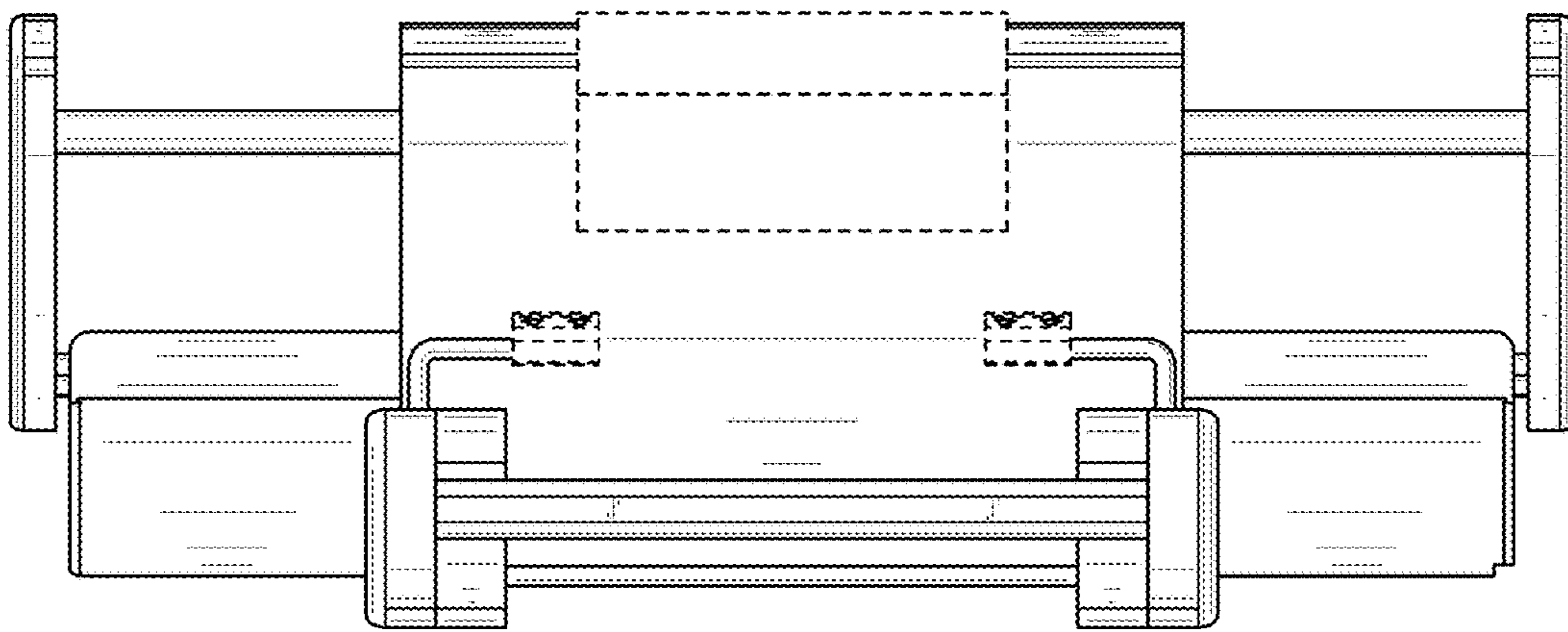


FIG. 3

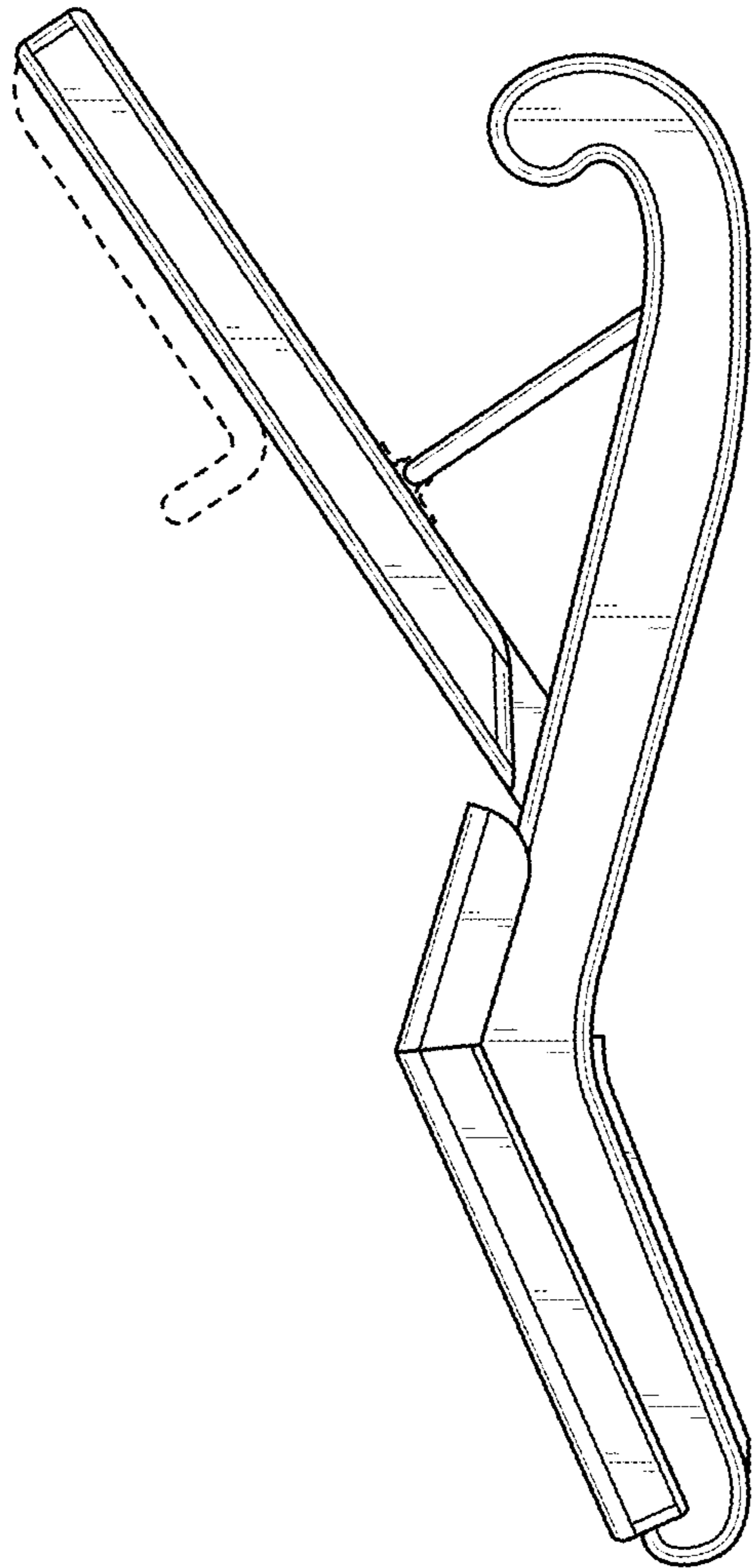


FIG. 4

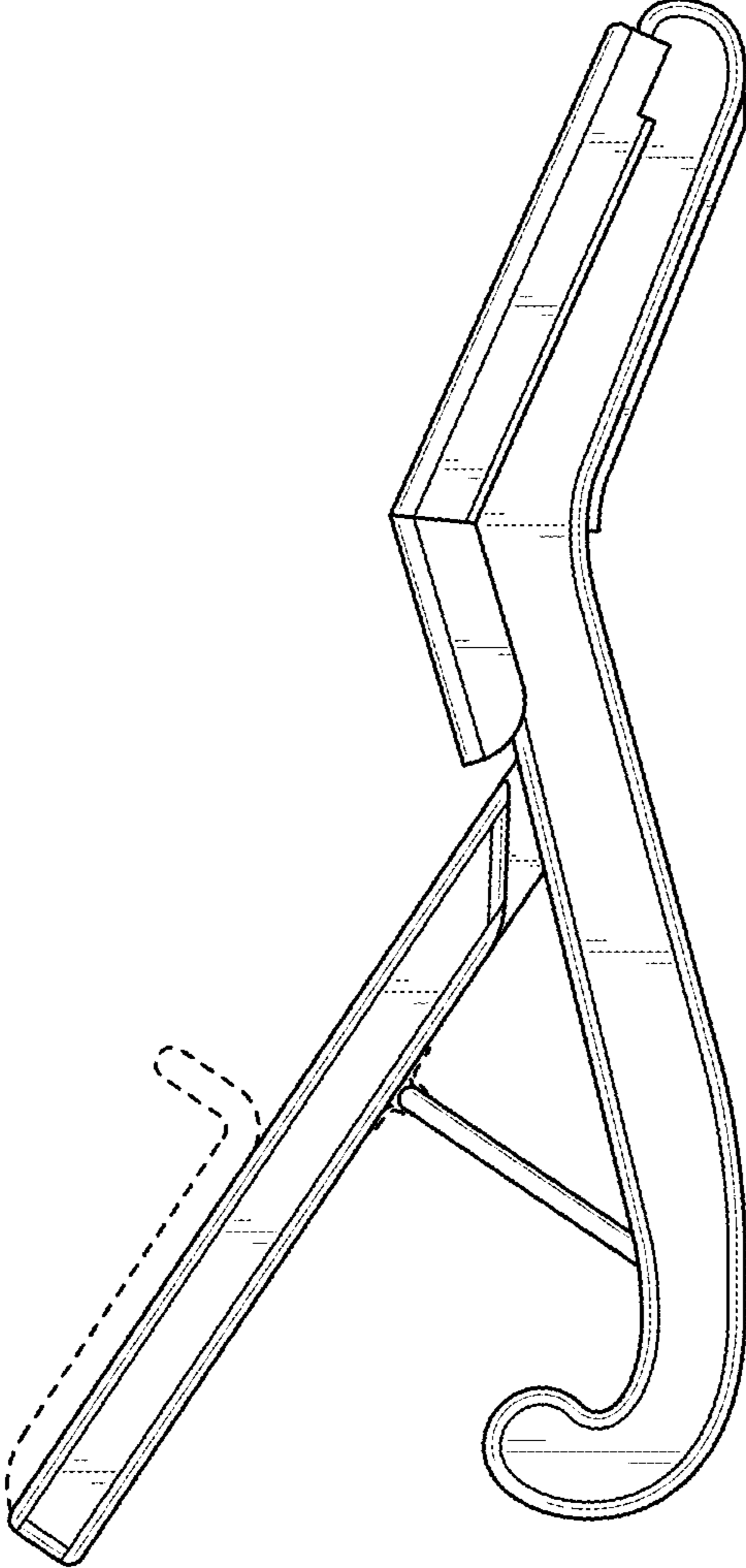


FIG. 5

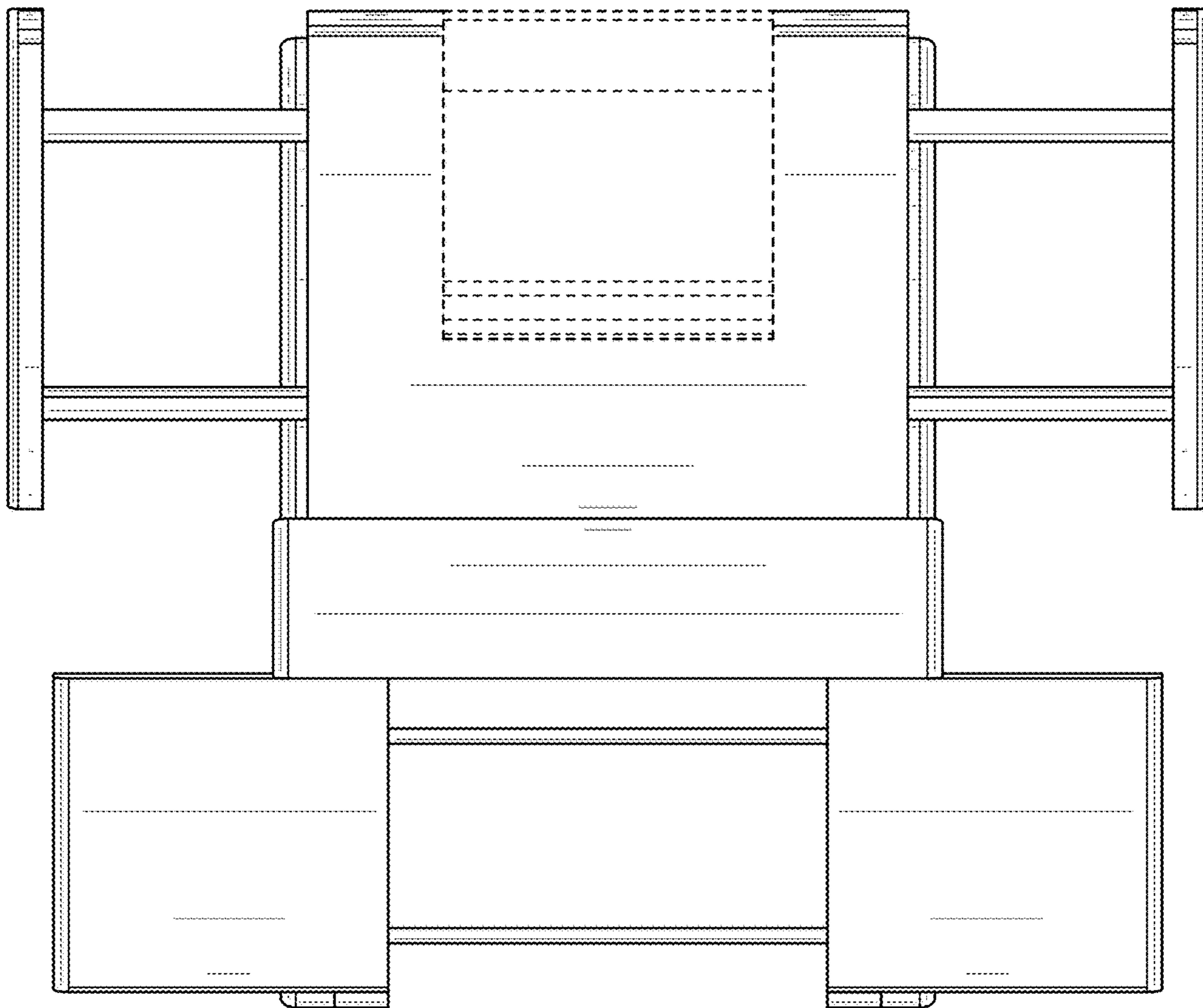


FIG. 6

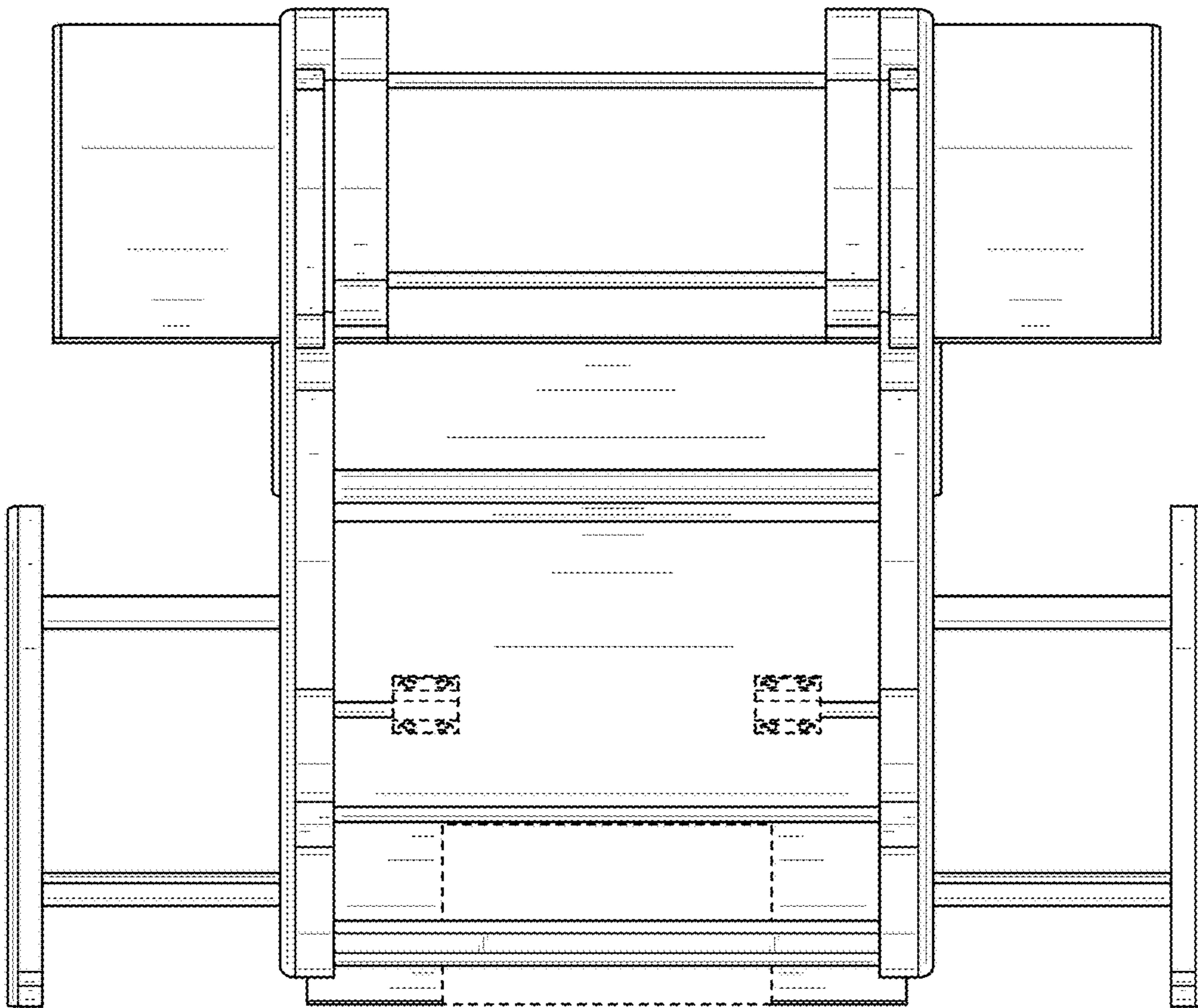


FIG. 7