



US00D824914S

(12) **United States Design Patent** (10) **Patent No.:** **US D824,914 S**
Okuley (45) **Date of Patent:** **** Aug. 7, 2018**

(54) **ELECTRONIC DEVICE WITH A MODULAR TABLET STAND**

FOREIGN PATENT DOCUMENTS

WO 2016048565 3/2016

(71) Applicant: **Intel Corporation**, Santa Clara, CA (US)

OTHER PUBLICATIONS

(72) Inventor: **James M. Okuley**, Portland, OR (US)

United States Patent and Trademark Office, Restriction Requirement issued in connection with U.S. Appl. No. 29/513,136, dated Feb. 22, 2016, 5 pages.

(73) Assignee: **Intel Corporation**, Santa Clara, CA (US)

(Continued)

(**) Term: **15 Years**

Primary Examiner — Angela J Lee

(21) Appl. No.: **29/592,421**

(74) *Attorney, Agent, or Firm* — Hanley, Flight and Zimmerman, LLC

(22) Filed: **Jan. 30, 2017**

(57) **CLAIM**

Related U.S. Application Data

The ornamental design for an electronic device and modular tablet stand, as shown and described.

(63) Continuation of application No. 29/513,136, filed on Dec. 27, 2014, now Pat. No. Des. 783,625.

DESCRIPTION

(51) **LOC (11) Cl.** **08-07**

(52) **U.S. Cl.**
USPC **D14/447**

(58) **Field of Classification Search**
USPC D14/447, 432, 434, 439, 440, 451, 452, D14/457, 239; D8/363, 373, 380; D6/406.3, 406.4, 406.5, 406.6; D12/415
CPC A47B 21/04; A47B 2097/006; A47B 2097/005; A47B 2023/049; A45C 2011/002; A45C 2011/003; F16M 2200/00; F16M 13/00

See application file for complete search history.

FIG. 1 is a perspective view of an electronic device with a modular tablet stand according to one embodiment; FIG. 2 is a front view of the electronic device and modular tablet stand of FIG. 1; FIG. 3 is a back view of the electronic device and modular tablet stand of FIG. 1; FIG. 4 is a side view of the electronic device and modular tablet stand of FIG. 1; FIG. 5 is another side view of the electronic device and modular tablet stand of FIG. 1; FIG. 6 is a top view of the electronic device and modular tablet stand of FIG. 1; and, FIG. 7 is a bottom view of the electronic device and modular tablet stand of FIG. 1.

The broken lines of the FIGURES are for illustration only. The broken lines and the unshaded regions bounded by broken lines of the preceding FIGURES illustrate boundaries and, therefore, form no part of the claimed design. Line shading is not surface ornamentation.

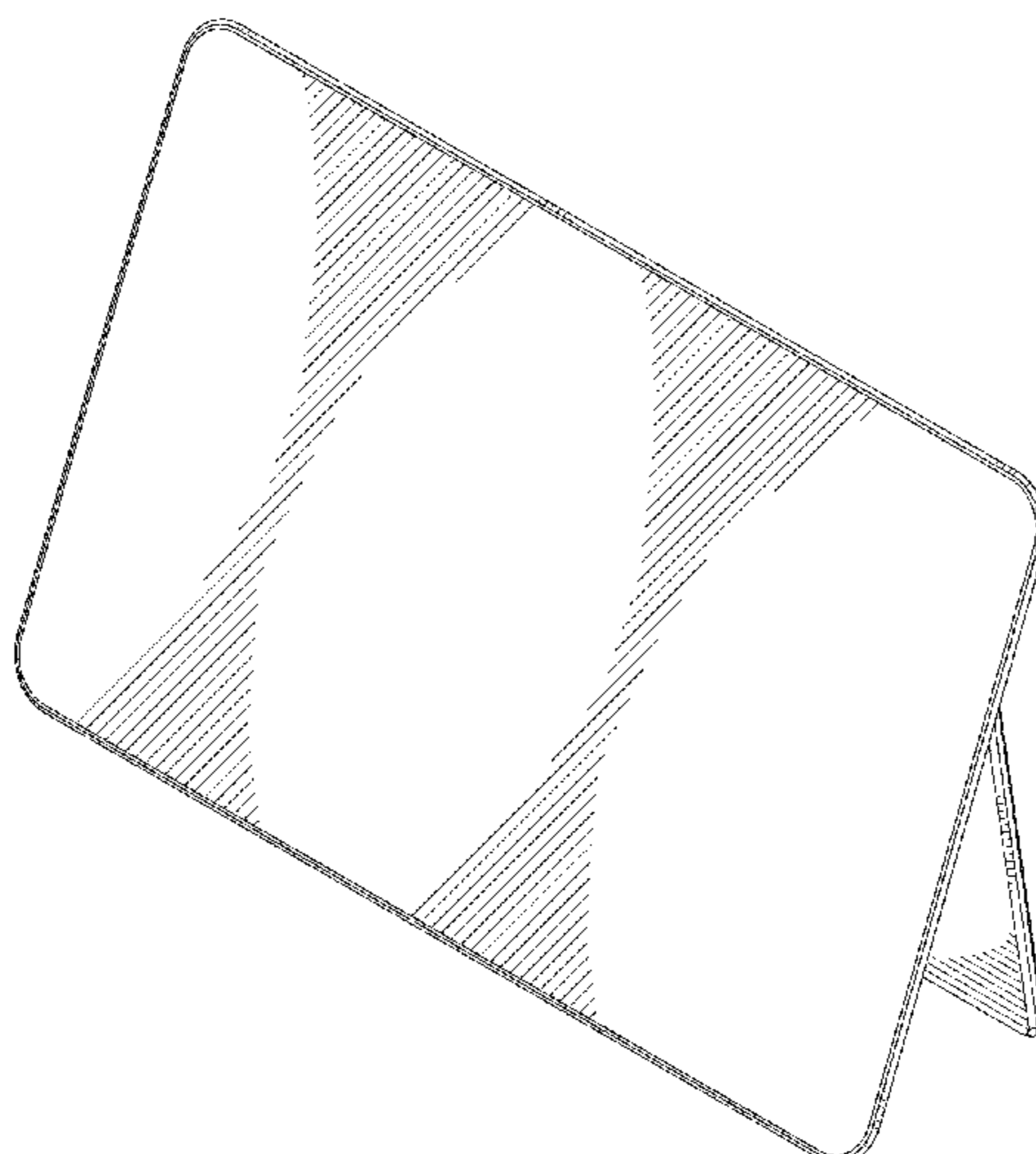
(56) **References Cited**

U.S. PATENT DOCUMENTS

D413,872 S 9/1999 Jessen
6,980,420 B2 12/2005 Maskatia et al.
D557,698 S 12/2007 Lye
D590,404 S 4/2009 Kim et al.
D666,174 S * 8/2012 Du D14/217

(Continued)

1 Claim, 5 Drawing Sheets



(56)

References Cited

U.S. PATENT DOCUMENTS

D667,831 S 9/2012 Stravitz
 D672,352 S 12/2012 Gengler
 D676,050 S * 2/2013 Sanz D14/440
 D676,853 S 2/2013 Gengler
 D678,886 S 3/2013 Heckler
 D692,010 S 10/2013 Verghese
 D694,245 S 11/2013 Sanz
 D697,069 S 1/2014 Tak et al.
 D704,200 S * 5/2014 Rayner D14/447
 D714,793 S * 10/2014 Kim D14/447
 D716,817 S 11/2014 Yang
 D719,142 S * 12/2014 Lee D14/239
 D732,543 S 6/2015 Westrup et al.
 D733,155 S * 6/2015 van Hoof D14/447
 D746,292 S * 12/2015 Heckler D14/447
 D750,089 S * 2/2016 Langhein D14/447
 D755,796 S * 5/2016 Gibson D14/447
 D770,459 S * 11/2016 Yoo D14/447
 D771,052 S * 11/2016 Zheng D14/434
 D783,625 S 4/2017 Okuley
 D784,996 S * 4/2017 Fafard D14/447
 D786,259 S * 5/2017 Klabukov D14/447
 2002/0113751 A1 8/2002 Knopf
 2007/0076861 A1 4/2007 Ju
 2007/0164923 A1 7/2007 Kanai et al.
 2009/0052296 A1 2/2009 Tracy et al.
 2010/0177047 A1 7/2010 Brennenman et al.
 2011/0299235 A1 12/2011 Liu et al.

2014/0009877 A1 1/2014 Okamoto et al.
 2014/0165366 A1 6/2014 Hochman
 2016/0094691 A1 3/2016 Okuley

OTHER PUBLICATIONS

United States Patent and Trademark Office, Non-final Office Action issued in connection with U.S. Appl. No. 29/513,136, dated May 11, 2016, 4 pages.
 United States Patent and Trademark Office, Notice of Allowance issued in connection with U.S. Appl. No. 29/513,136, dated Oct. 21, 2016, 7 pages.
 U.S. Appl. No. 29/592,438, "Electronic Device with a Modular Tablet Stand," filed Jan. 30, 2017, 10 pages.
 International Searching Authority, International Search Report and Written Opinion issued in connection with International Application No. PCT/US2015/047051, dated Nov. 27, 2015, 12 pages.
 United States Patent and Trademark Office, Non-Final Office Action issued in connection with U.S. Appl. No. 14/498,812, dated Jan. 6, 2016, 21 pages.
 United States Patent and Trademark Office, Final Office Action issued in connection with U.S. Appl. No. 14/498,812 dated Jul. 7, 2016, 24 pages.
 United States Patent and Trademark Office, Non-final Office Action issued in connection with U.S. Appl. No. 29/592,438, dated Jun. 15, 2017, 19 pages.
 United States Patent and Trademark Office, "Advisory Action," issued in connection with U.S. Appl. No. 29/592,438, dated Mar. 16, 2018, 8 pages.

* cited by examiner

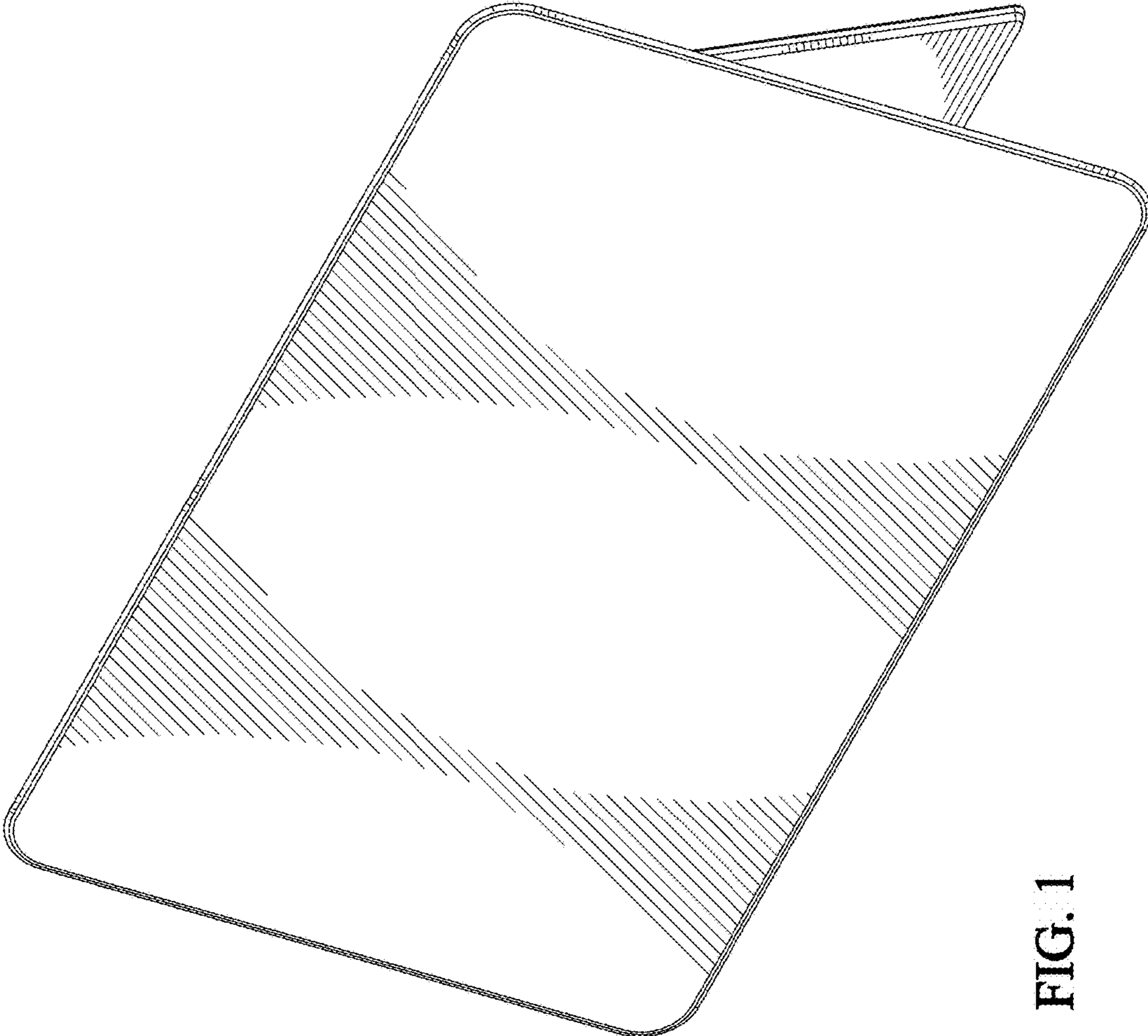


FIG. 1

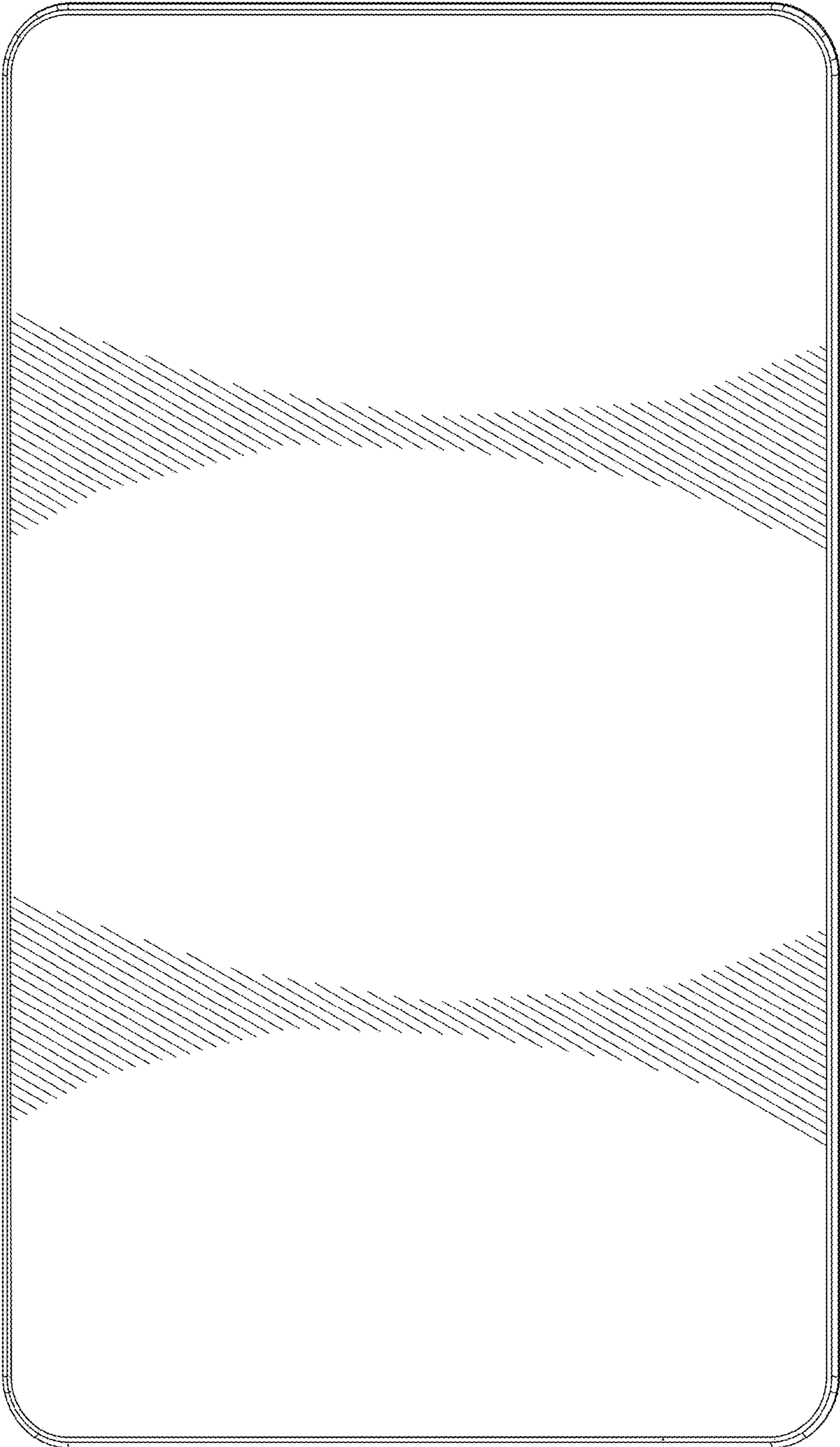


FIG. 2

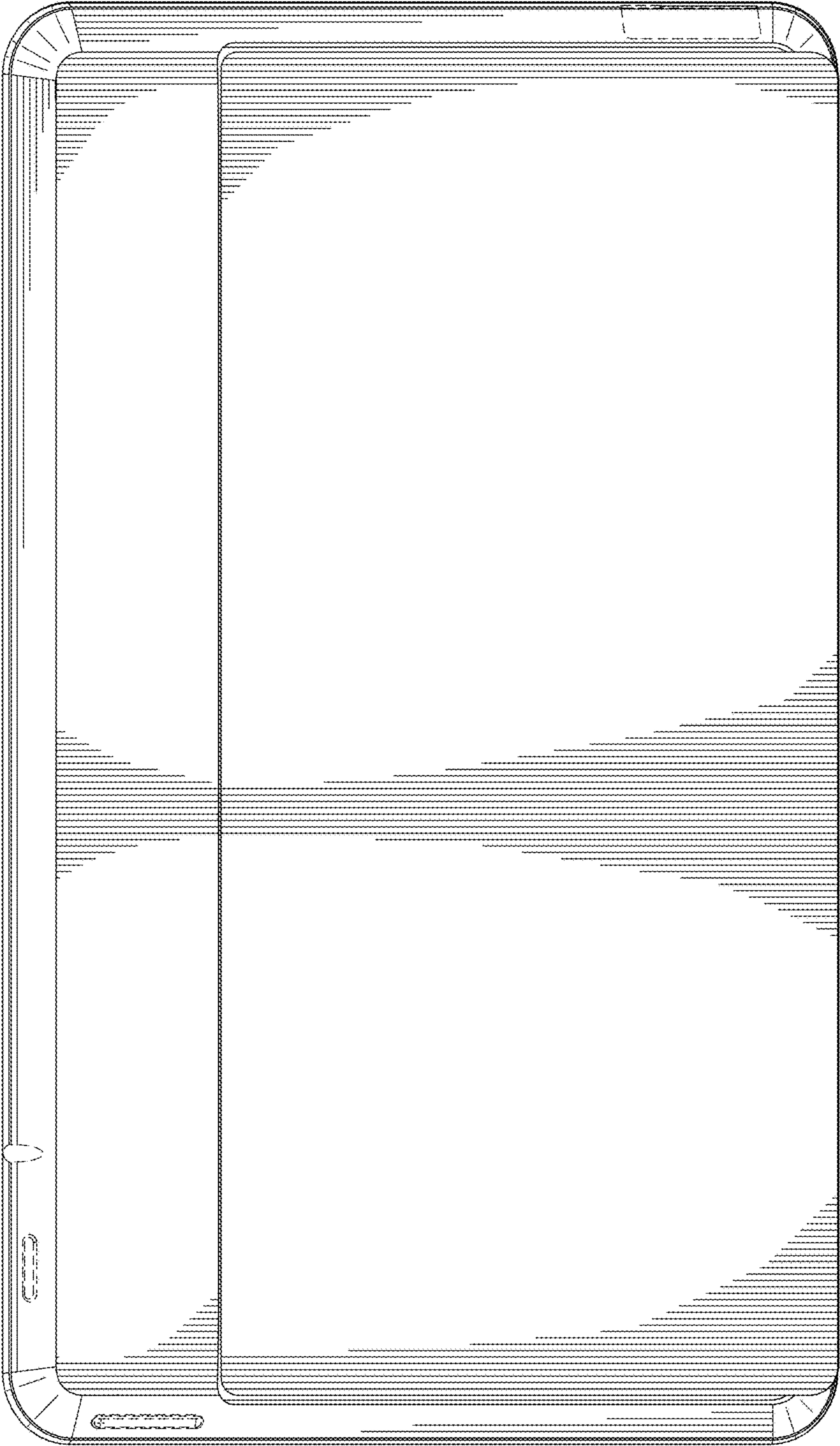


FIG. 3

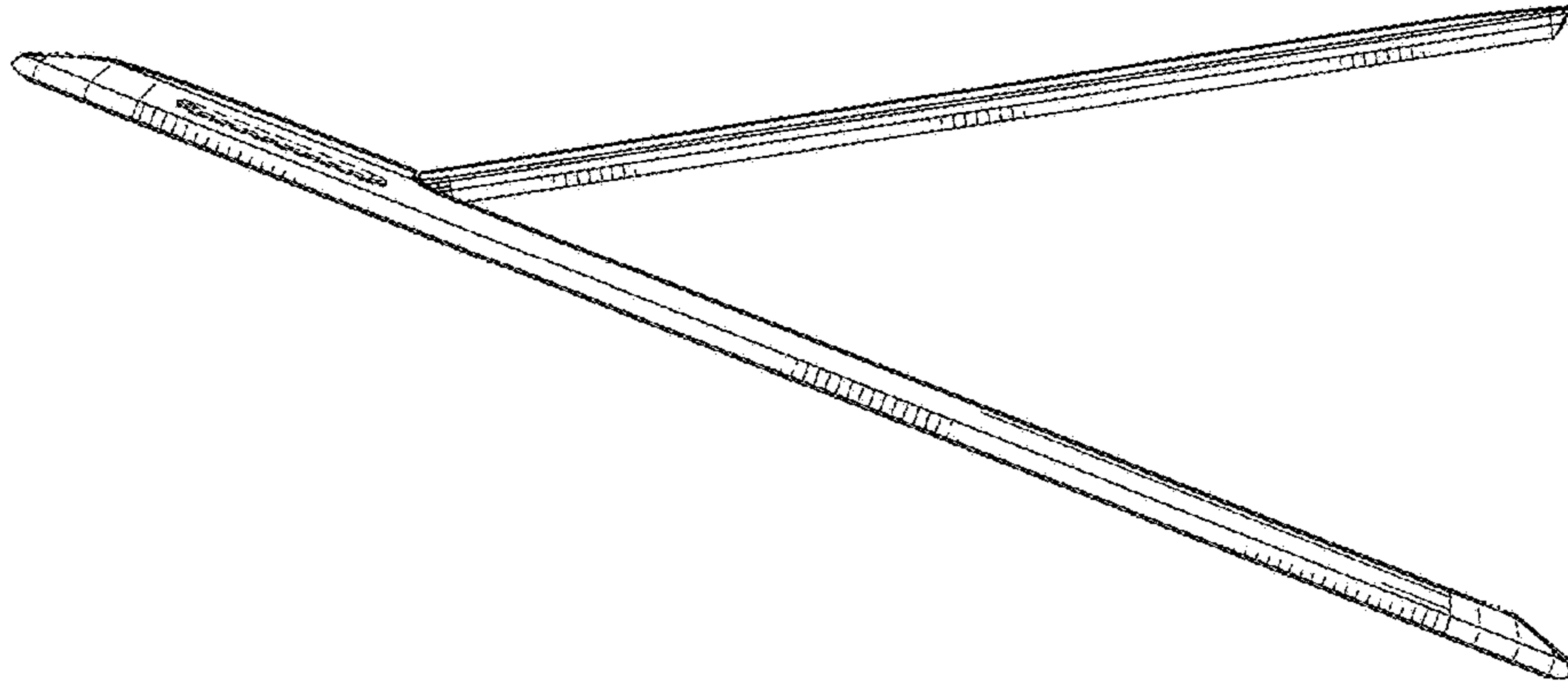


FIG. 5

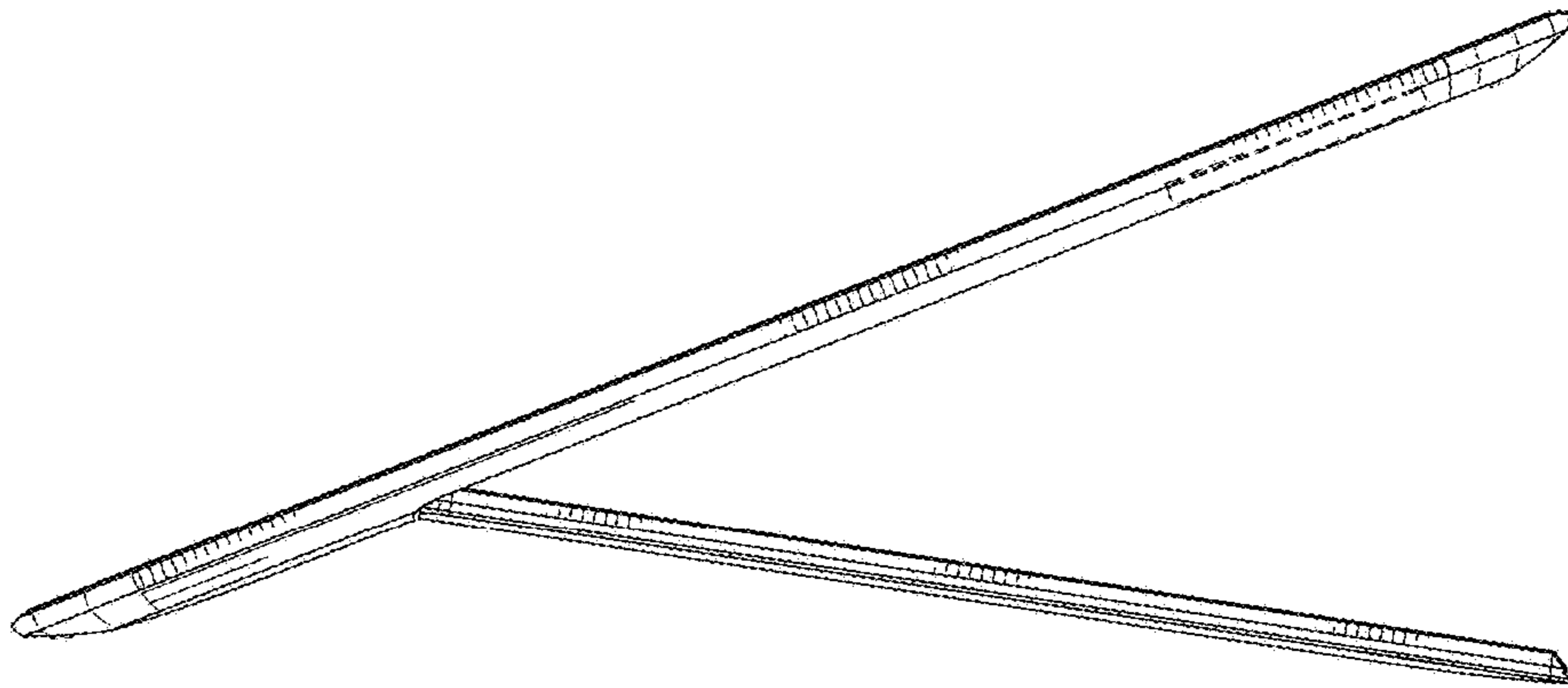


FIG. 4

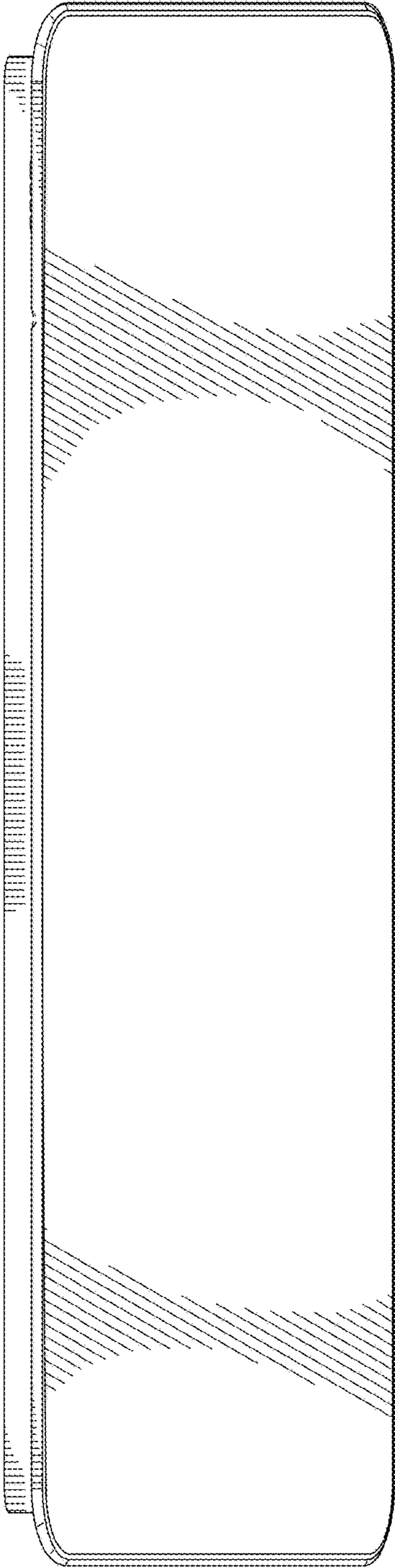


FIG. 6

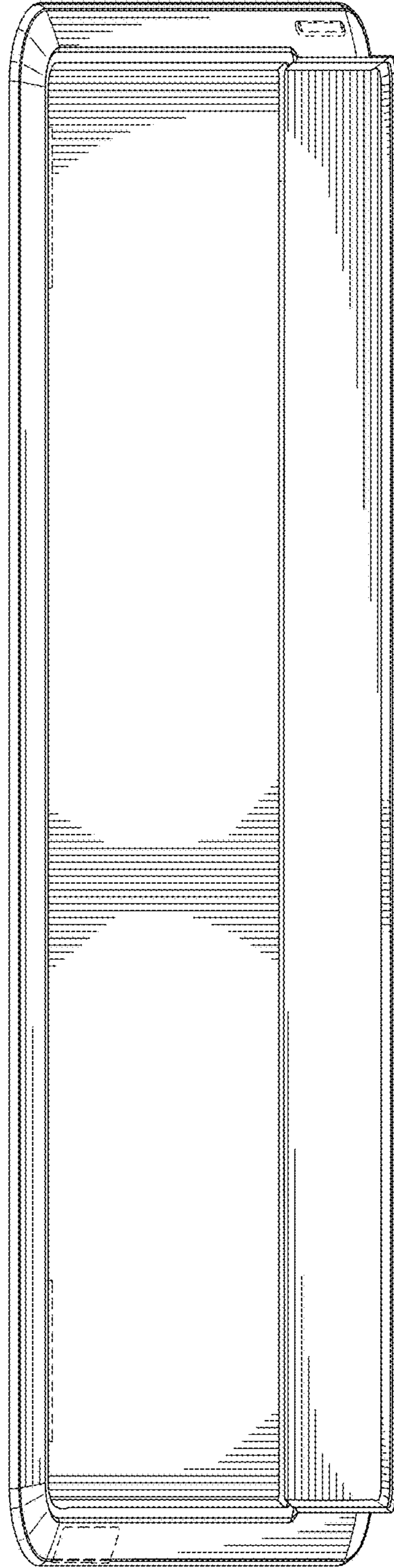


FIG. 7