



US00D824912S

(12) **United States Design Patent** (10) **Patent No.:** **US D824,912 S**
van Bergen (45) **Date of Patent:** **** Aug. 7, 2018**

- (54) **TABLET STAND**
- (71) Applicant: **InVue Security Products Inc.**,
Charlotte, NC (US)
- (72) Inventor: **Erik L. van Bergen**, Waxhaw, NC
(US)
- (73) Assignee: **InVue Security Products Inc.**,
Charlotte, NC (US)
- (**) Term: **15 Years**
- (21) Appl. No.: **29/579,568**
- (22) Filed: **Sep. 30, 2016**

- D643,430 S 8/2011 Nuovo et al.
- D655,293 S 3/2012 Gioscia et al.
- D685,376 S * 7/2013 Kim D14/439
- D695,747 S 12/2013 Hobbs
- D703,676 S * 4/2014 Smith D14/447
- D708,603 S * 7/2014 Kim D14/253
- D709,066 S 7/2014 Byun
- D711,886 S * 8/2014 Kerawala D14/440
- D719,169 S * 12/2014 McBroom D14/440
- D722,317 S 2/2015 Parameshwara et al.
- D723,036 S * 2/2015 Longo D14/411
- D733,116 S 6/2015 Aspinall et al.
- D739,857 S * 9/2015 Lay D10/80
- D746,288 S 12/2015 Mathis et al.
- D747,322 S * 1/2016 Li D14/447
- D748,099 S * 1/2016 Heid D14/447
- D750,515 S 3/2016 Ditges et al.
- D752,595 S 3/2016 Heckler
- D771,056 S 11/2016 Van Bergen

(Continued)

Related U.S. Application Data

- (63) Continuation of application No. 29/536,903, filed on
Aug. 20, 2015, now Pat. No. Des. 771,056.
- (51) **LOC (11) Cl.** **08-07**
- (52) **U.S. Cl.**
USPC **D14/447**
- (58) **Field of Classification Search**
USPC D14/447, 432, 434, 439, 440, 451, 452,
D14/457, 239; D8/363, 373, 380, 406.3,
D8/406.4, 406.5, 406.6; D12/415
CPC A47B 21/04; A47B 2097/006; A47B
2097/005; A47B 2023/049; A45C
2011/002; A45C 2011/003; F16M
2200/00; F16M 13/00
See application file for complete search history.

Primary Examiner — Angela J Lee

(74) *Attorney, Agent, or Firm* — InVue Security Products
Inc.

(57) **CLAIM**

The ornamental design for a tablet stand, as shown and
described.

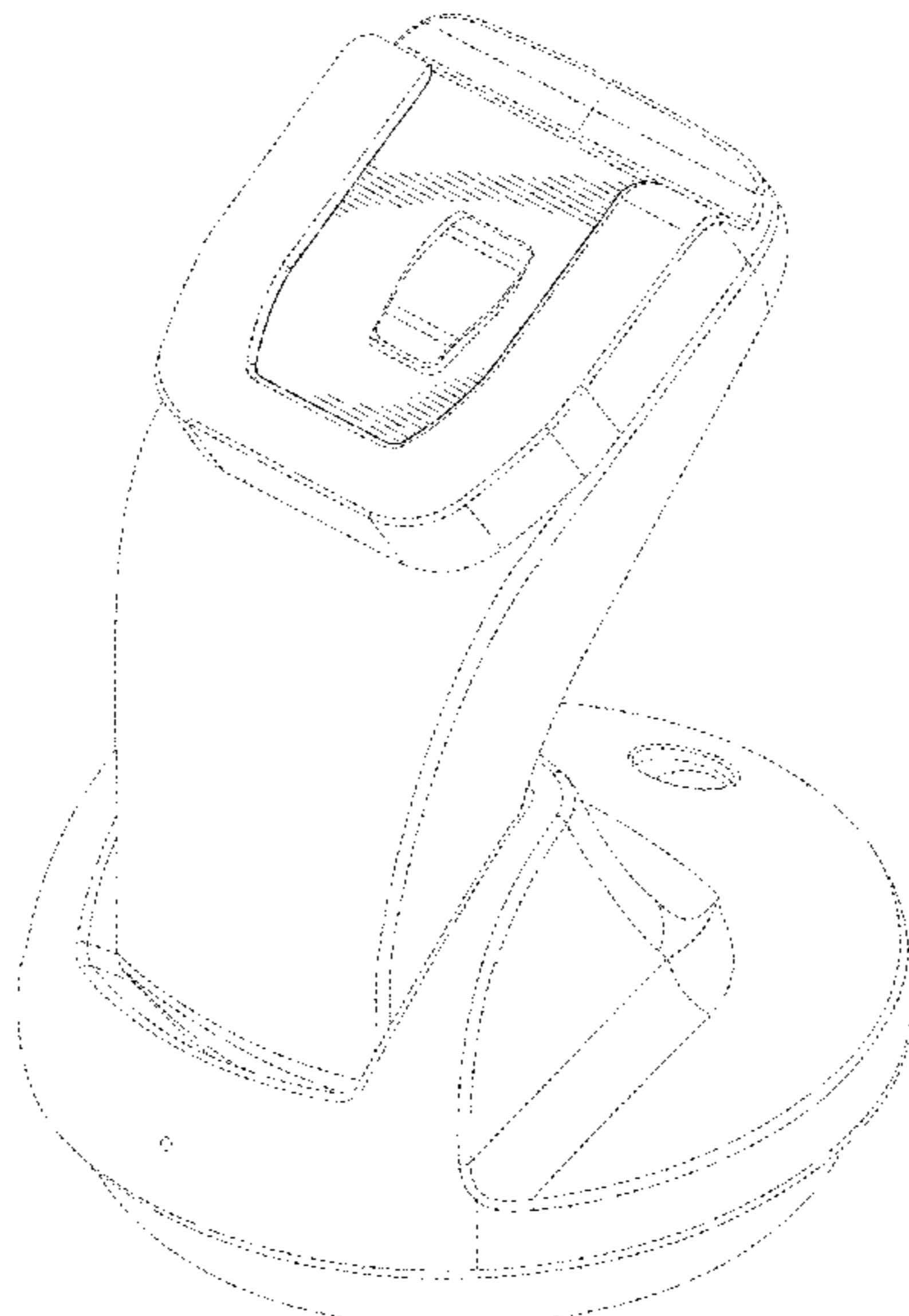
DESCRIPTION

FIG. 1 is a perspective view of a tablet stand showing my
design;
FIG. 2 is a front view thereof;
FIG. 3 is a right side thereof;
FIG. 4 is left side view thereof;
FIG. 5 is rear view thereof;
FIG. 6 is a bottom view thereof; and,
FIG. 7 is a top view thereof.
The broken lines are directed to environment and are for
illustrative purposes only. The broken lines form no part of
the claimed design.

(56) **References Cited**
U.S. PATENT DOCUMENTS

- D471,906 S 3/2003 Salazar et al.
- D494,182 S 8/2004 Singer et al.
- D554,116 S 10/2007 Liu et al.
- D624,919 S 10/2010 Bull
- D630,222 S * 1/2011 Lin D14/447

1 Claim, 7 Drawing Sheets



(56)

References Cited

U.S. PATENT DOCUMENTS

9,592,871 B2 * 3/2017 Whitten G06F 1/1656
D789,774 S * 6/2017 Turk B60R 11/02
D8/354
2005/0236536 A1* 10/2005 Fan B60R 11/02
248/176.3

* cited by examiner

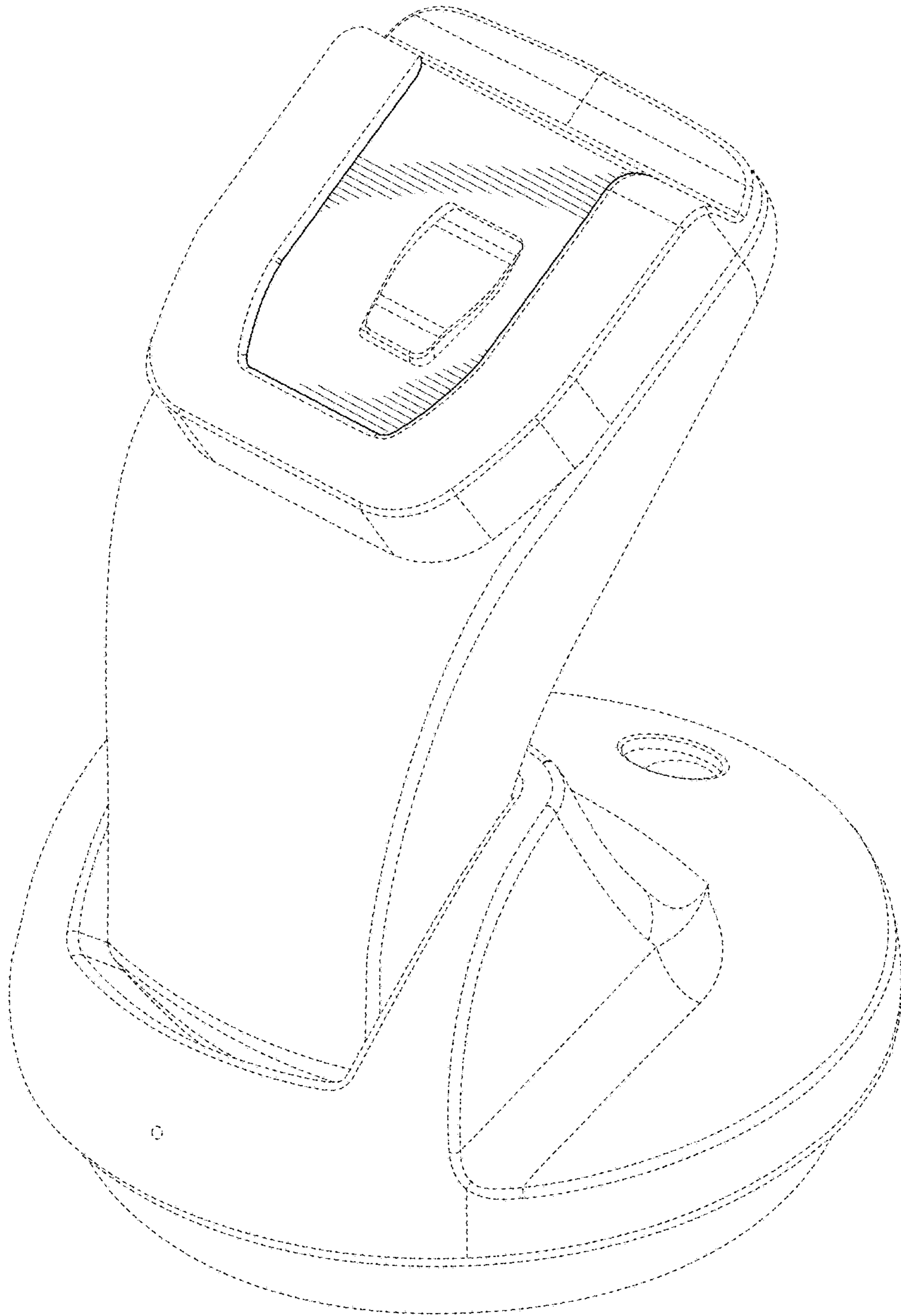


FIG. 1

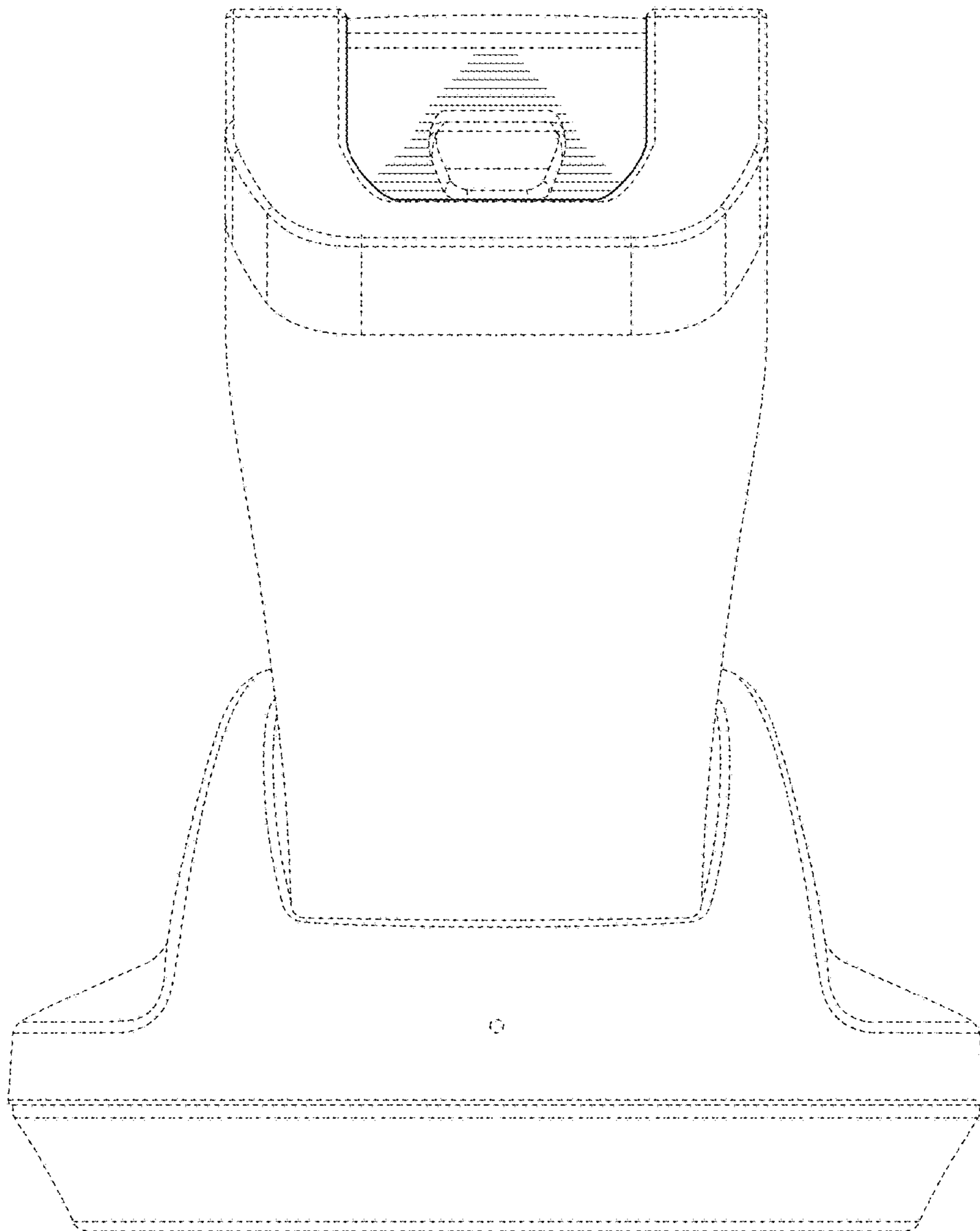


FIG. 2

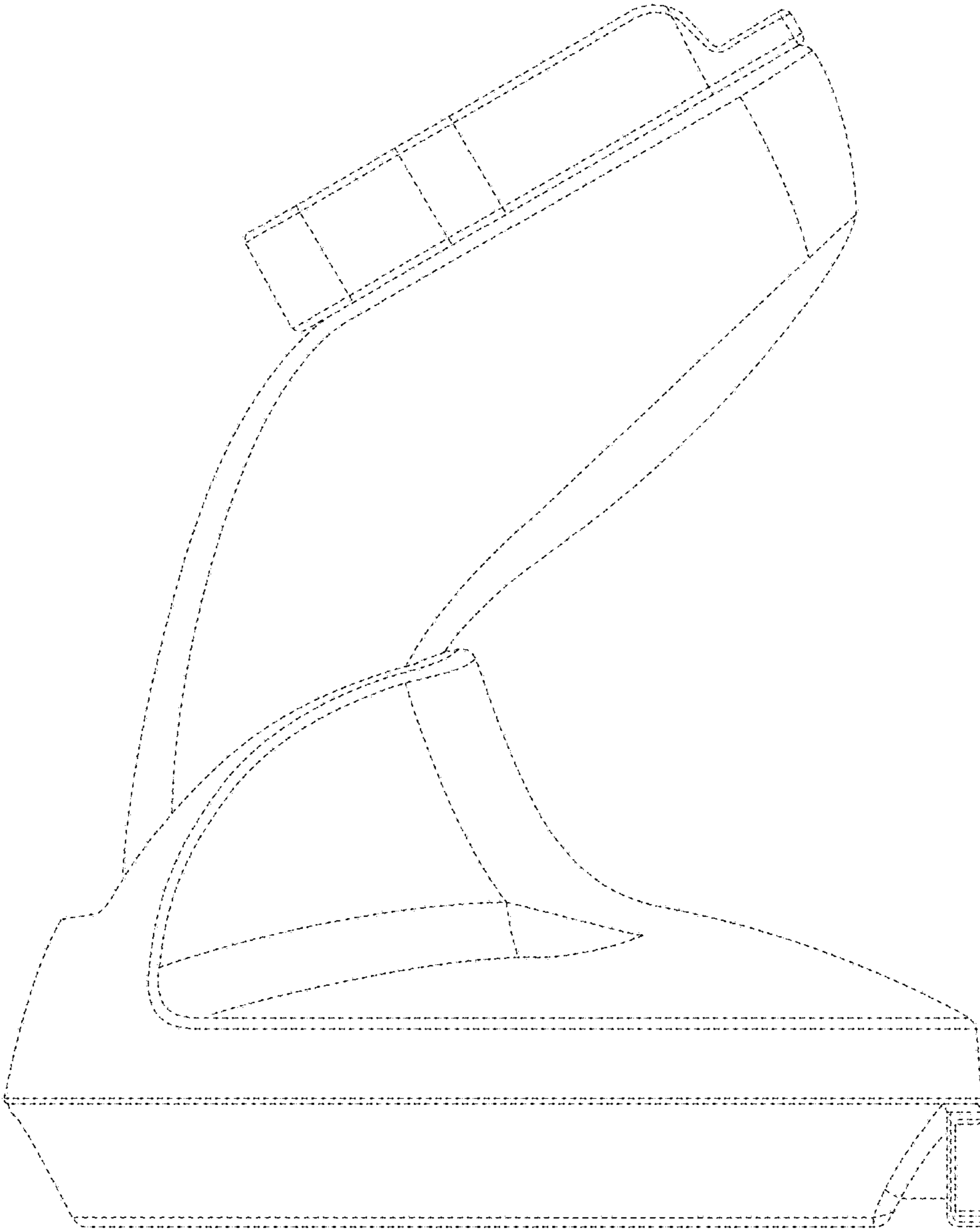


FIG. 3

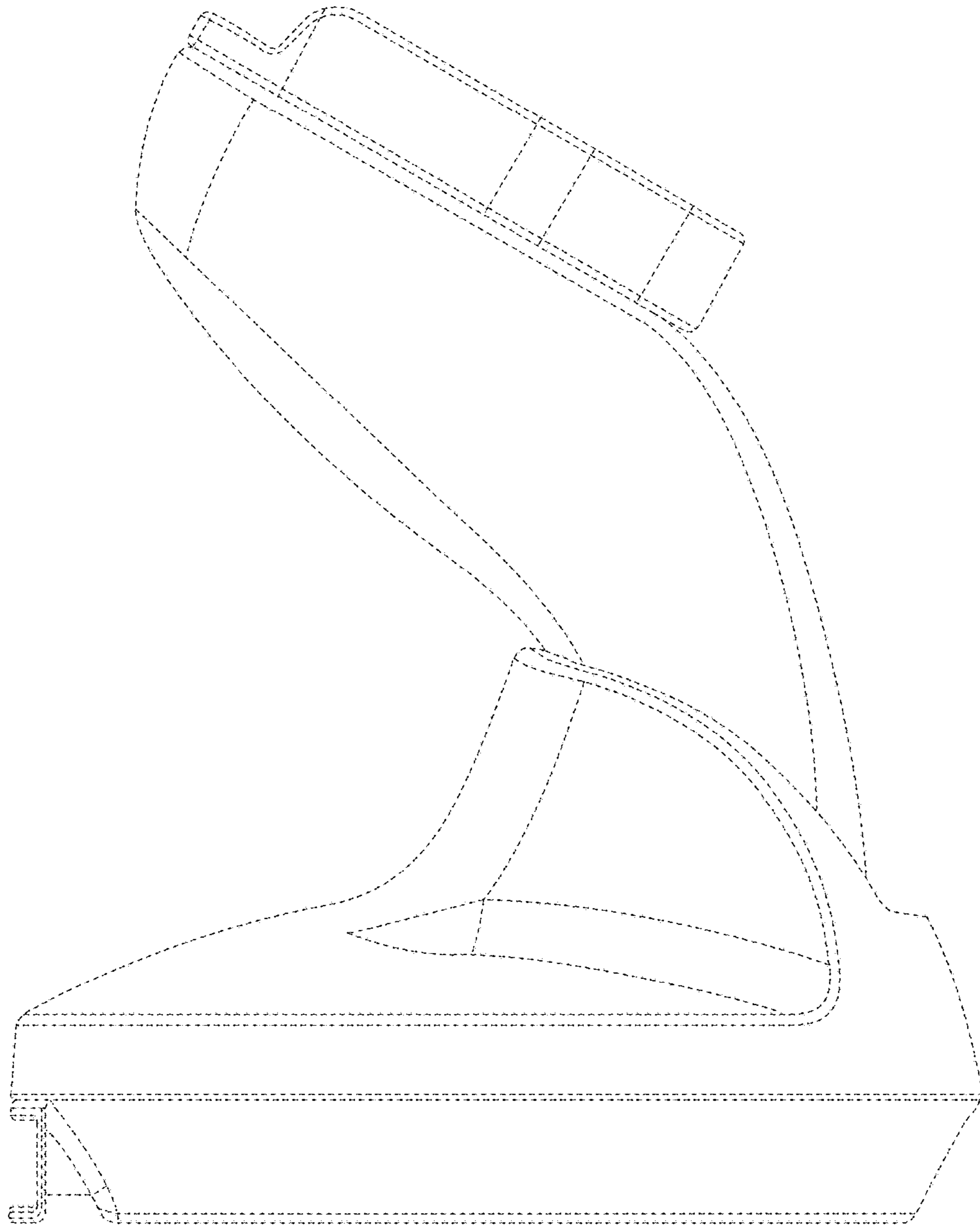


FIG. 4

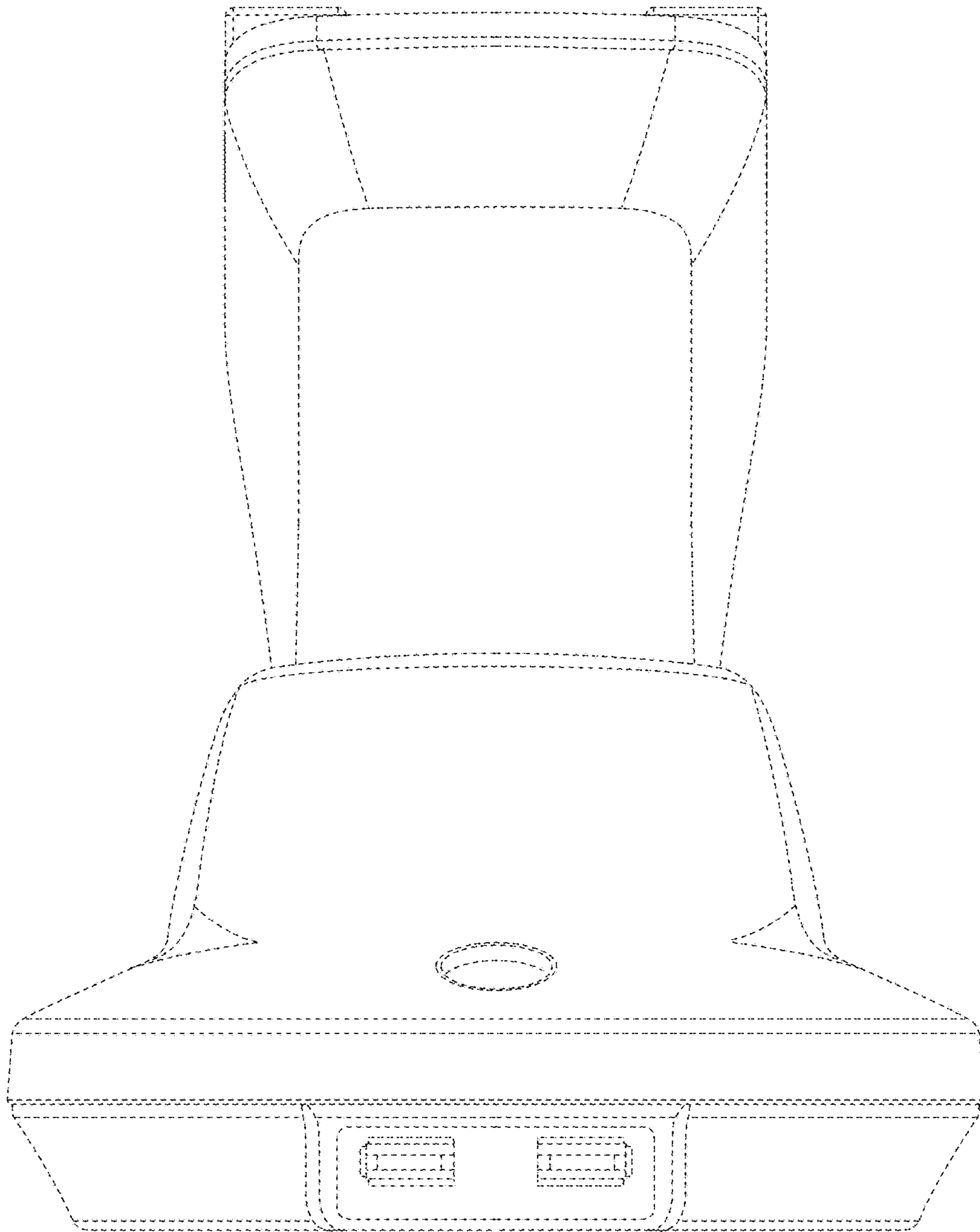


FIG. 5

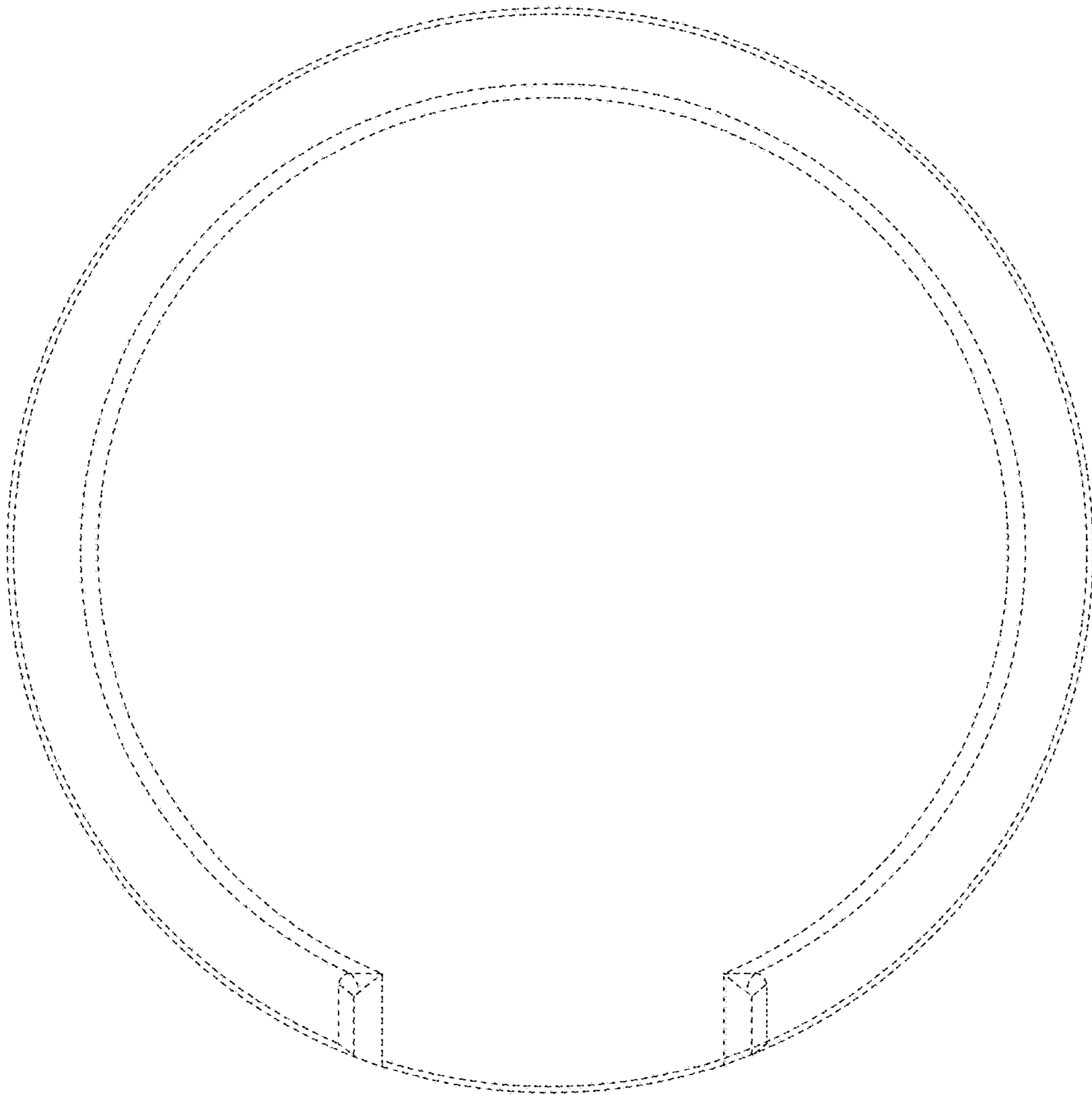


FIG. 6

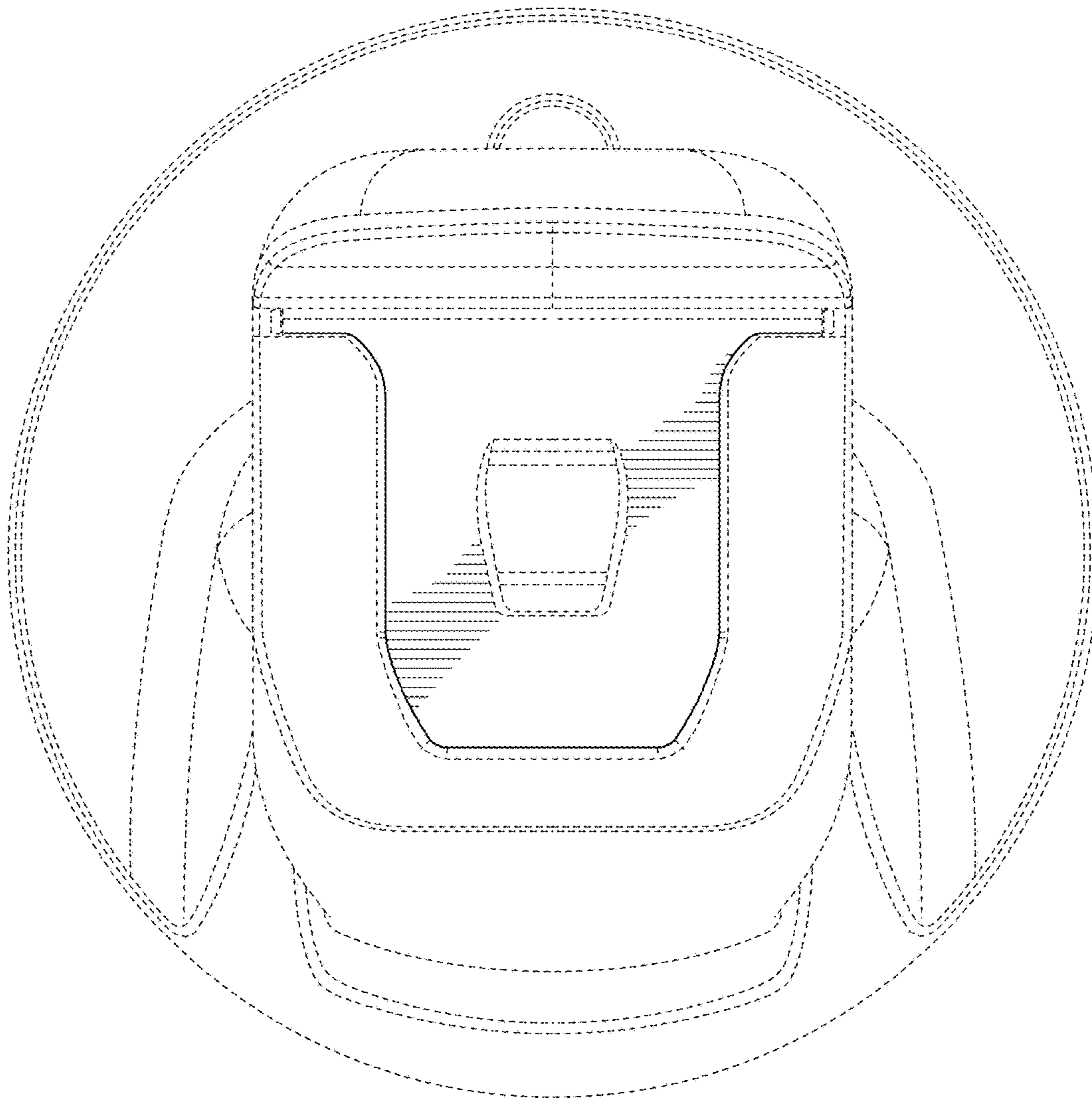


FIG. 7