



US00D824911S

(12) **United States Design Patent** (10) **Patent No.:** **US D824,911 S**  
**London et al.** (45) **Date of Patent:** **\*\* Aug. 7, 2018**

- (54) **ELECTRONIC DEVICE ENCLOSURE** D644,428 S \* 9/2011 Feng ..... D3/218
- (71) Applicant: **Hand Held Products, Inc.**, Fort Mill, SC (US) 8,016,107 B2 9/2011 Emsky
- (72) Inventors: **Lisa London**, Syracuse, NY (US); D660,305 S 5/2012 Ho et al.
- Timothy R. Fitch**, Syracuse, NY (US); 8,243,428 B2 \* 8/2012 Fu ..... F16M 11/10
- Taylor Smith**, Charlotte, NC (US); 248/917
- Mark Schmidt**, Waxhaw, NC (US); D674,803 S 1/2013 Westrup
- Mark Oberpriller**, Atlanta, GA (US) D692,432 S 10/2013 Liu et al.
- (73) Assignee: **Hand Held Products, Inc.**, Fort Mill, SC (US) 8,550,317 B2 10/2013 Hyseni
- (\*\*) Term: **15 Years** 8,690,210 B1 4/2014 May
- (21) Appl. No.: **29/550,984** D704,200 S 5/2014 Rayner
- (22) Filed: **Jan. 8, 2016** 8,746,448 B1 6/2014 Bellace
- D707,958 S 7/2014 Rubin

*Primary Examiner* — Cynthia R Underwood  
(74) *Attorney, Agent, or Firm* — Additon, Higgins & Pendleton, P.A.

(57) **CLAIM**

The ornamental design for an electronic device enclosure, as shown and described.

**DESCRIPTION**

FIG. 1 is a perspective view of an electronic device enclosure in accordance with the present invention;  
FIG. 2 is a rear view of the electronic device enclosure of FIG. 1;  
FIG. 3 is a front view of the electronic device enclosure of FIG. 1;  
FIG. 4 is a right side view of the electronic device enclosure of FIG. 1;  
FIG. 5 is a left side view of the electronic device enclosure of FIG. 1;  
FIG. 6 is a top plan view of the electronic device enclosure of FIG. 1; and,  
FIG. 7 is a bottom plan view of the electronic device enclosure of FIG. 1.  
The broken lines represent portions of the structure that forms no part of the claim. The dot-dash-dot lines represent a boundary of the claim and form no part of the claim.

**1 Claim, 5 Drawing Sheets**

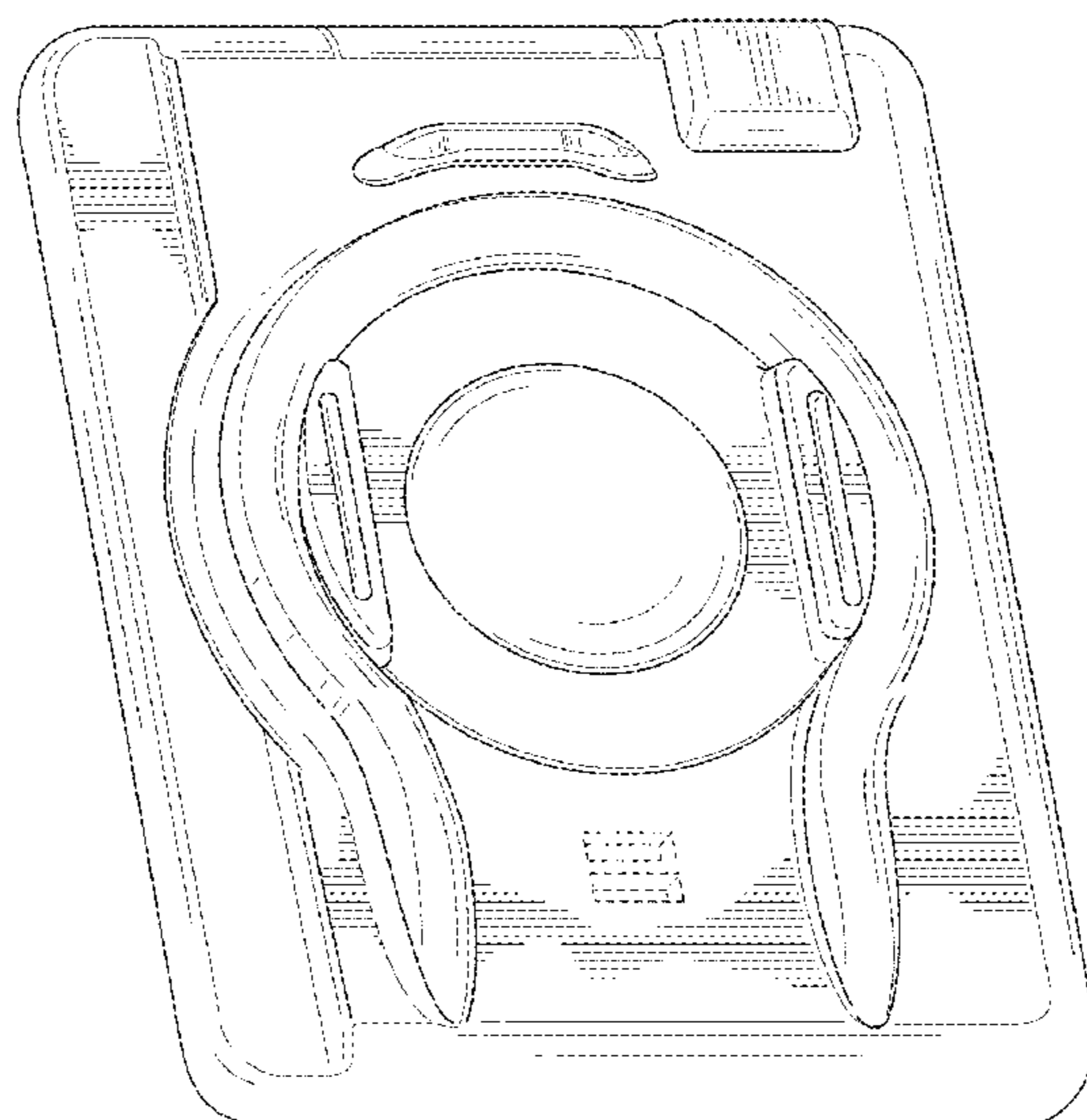
**Related U.S. Application Data**

- (63) Continuation of application No. 29/459,620, filed on Jul. 2, 2013, now Pat. No. Des. 747,321.
- (51) **LOC (11) Cl.** ..... **14-02**
- (52) **U.S. Cl.**  
USPC ..... **D14/440**
- (58) **Field of Classification Search**  
USPC ..... D14/440, 250, 447; 206/45.23, 320, 206/45.2; 361/679.55; 294/25; 224/218  
CPC ... G06F 1/1628; G06F 1/1626; A47B 23/044; H04B 1/3888  
See application file for complete search history.

**References Cited**

**U.S. PATENT DOCUMENTS**

- 2,444,369 A \* 6/1948 Rentos ..... A24F 15/18
- D583,572 S \* 12/2008 Zhai ..... D14/371
- 7,764,488 B2 7/2010 Calvarese
- D641,154 S 7/2011 Smith



(56)

References Cited

U.S. PATENT DOCUMENTS

D711,866 S 8/2014 Kawata  
 D711,886 S 8/2014 Kerawala et al.  
 D712,412 S 9/2014 Bleau et al.  
 8,820,525 B1 \* 9/2014 Zanxiang ..... F16M 11/10  
 206/320  
 8,833,819 B2 \* 9/2014 Chen ..... A45C 11/00  
 224/217  
 8,863,953 B1 10/2014 Fager et al.  
 8,887,970 B2 11/2014 Tsai et al.  
 D718,771 S \* 12/2014 Huang ..... D14/447  
 9,074,725 B2 \* 7/2015 Trotsky ..... F16M 11/043  
 D747,321 S 1/2016 London  
 D749,083 S \* 2/2016 Senoff ..... D14/451  
 9,250,652 B2 2/2016 London  
 9,300,346 B2 \* 3/2016 Hirsch ..... H04B 1/385  
 9,301,584 B2 \* 4/2016 Butts ..... A45C 11/00  
 D763,853 S \* 8/2016 Pearce ..... D14/440  
 D763,857 S \* 8/2016 Dang ..... D14/440  
 D769,865 S \* 10/2016 Oakley ..... D14/336  
 D772,880 S \* 11/2016 Corcoran ..... D14/440  
 D781,863 S \* 3/2017 Lai ..... D14/440  
 D782,488 S \* 3/2017 Kim ..... D14/447  
 D786,235 S \* 5/2017 Huotari ..... D14/253  
 D789,936 S \* 6/2017 Nyholm ..... D14/440  
 9,721,132 B2 \* 8/2017 Lu ..... G06K 7/10722  
 2003/0213822 A1 11/2003 Lautner et al.  
 2004/0226973 A1 11/2004 Kao  
 2008/0054039 A1 3/2008 Wulff et al.  
 2009/0219677 A1 9/2009 Mori et al.

2010/0294909 A1 \* 11/2010 Hauser ..... B42D 9/00  
 248/456  
 2010/0296235 A1 11/2010 Takemasa et al.  
 2011/0031287 A1 2/2011 Le Gette et al.  
 2011/0038119 A1 \* 2/2011 Yeh ..... G06F 1/1637  
 361/679.27  
 2011/0240830 A1 10/2011 Alemozafar et al.  
 2011/0267748 A1 11/2011 Lane et al.  
 2011/0279959 A1 11/2011 Lopez  
 2011/0303709 A1 12/2011 Wizikowski  
 2011/0309117 A1 \* 12/2011 Roberts ..... A45F 5/00  
 224/217  
 2012/0006950 A1 \* 1/2012 Vandiver ..... F16M 11/10  
 248/176.3  
 2012/0075799 A1 3/2012 Pollex  
 2012/0106054 A1 \* 5/2012 Royz ..... F16M 11/10  
 361/679.3  
 2012/0228346 A1 9/2012 Huang  
 2012/0262897 A1 \* 10/2012 Hsu ..... G06F 1/1616  
 361/807  
 2013/0214661 A1 \* 8/2013 McBroom ..... G06F 1/1667  
 312/325  
 2013/0313142 A1 \* 11/2013 Wen ..... A45C 11/00  
 206/320  
 2014/0029197 A1 \* 1/2014 Hishinuma ..... G06F 1/1613  
 361/679.55  
 2015/0009610 A1 \* 1/2015 London ..... G06F 1/163  
 361/679.03  
 2017/0099922 A1 \* 4/2017 Guerdrum ..... A45F 5/021  
 2017/0196327 A1 \* 7/2017 Ma ..... A45C 11/00

\* cited by examiner

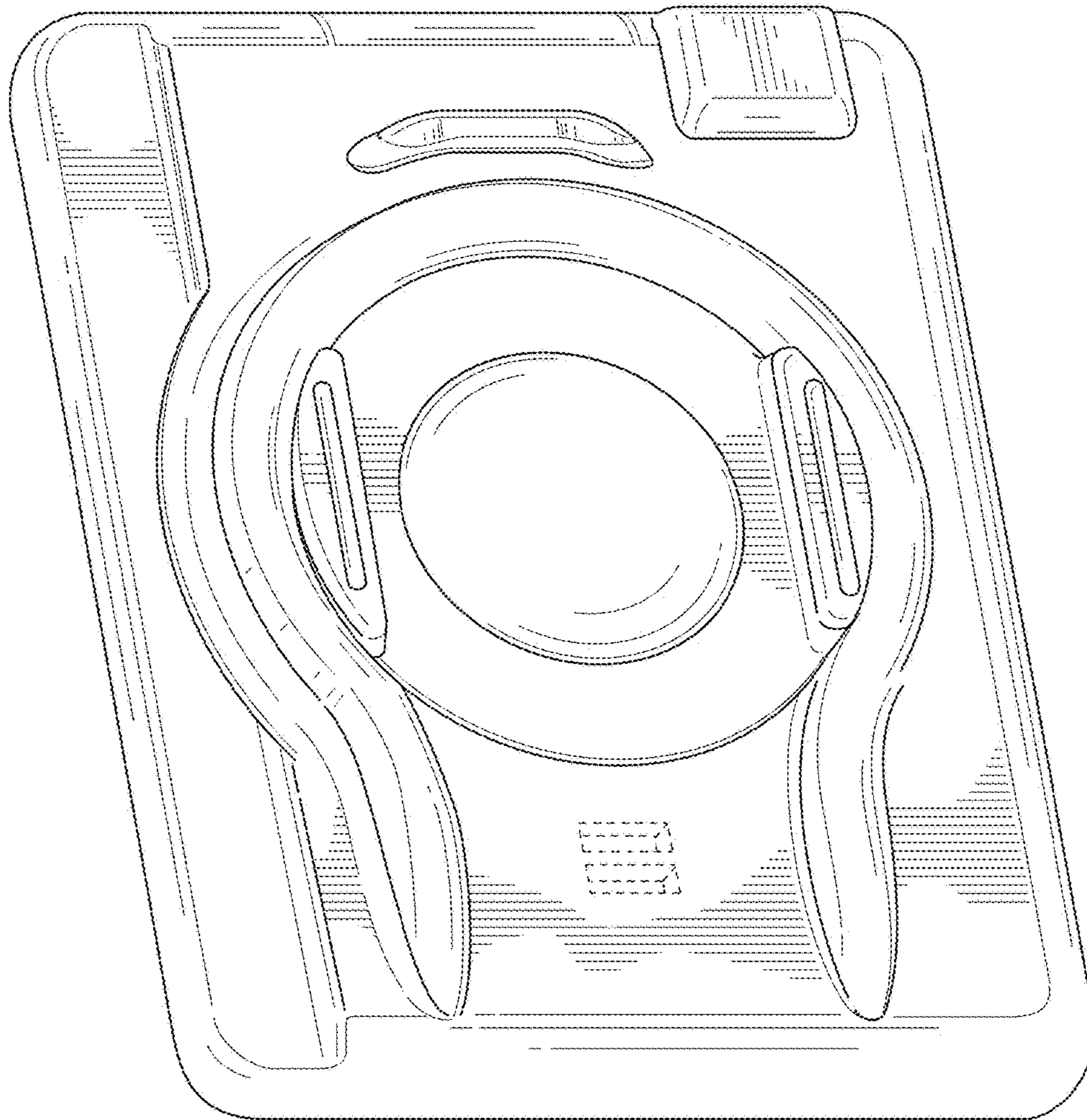


FIG. 1

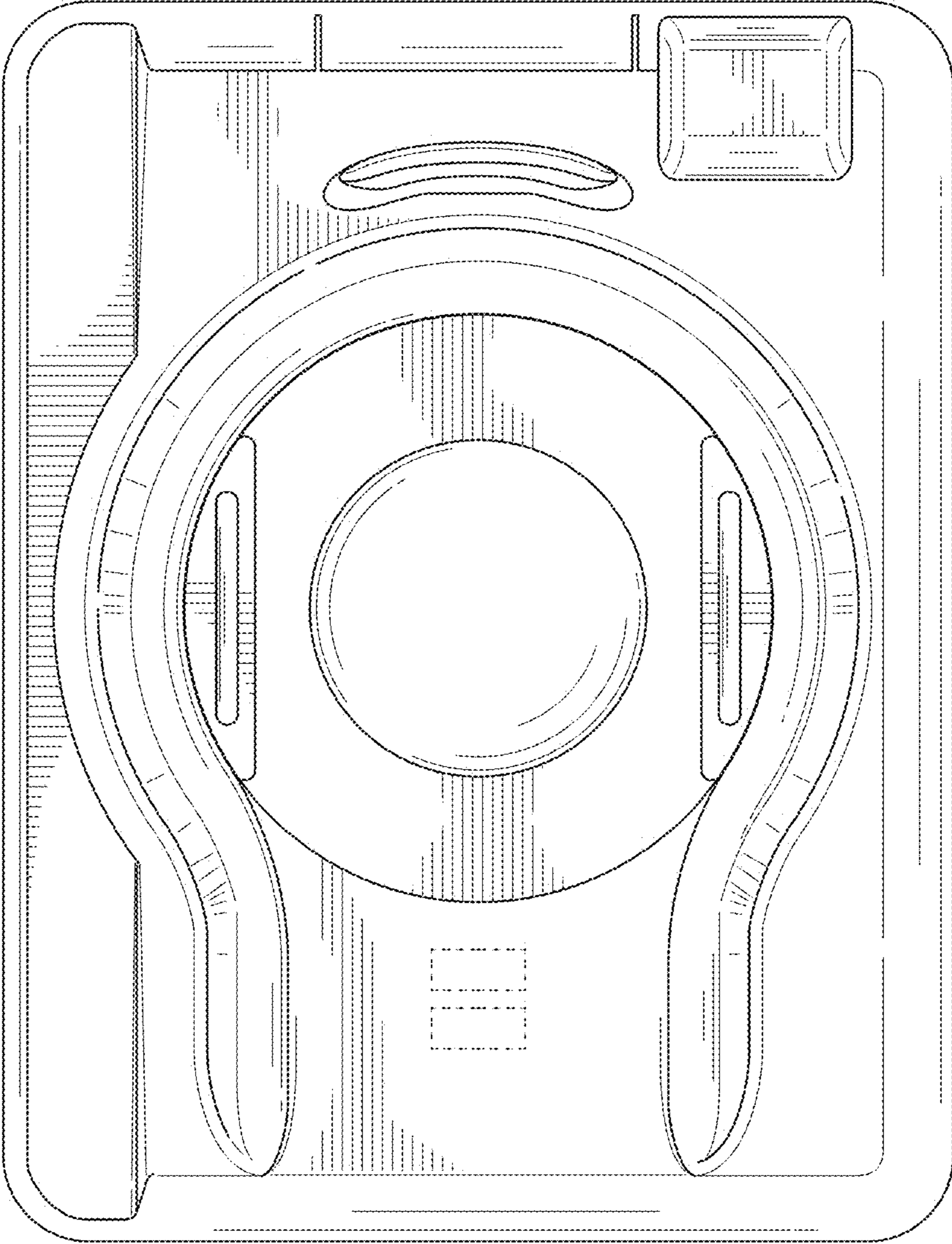


FIG. 2

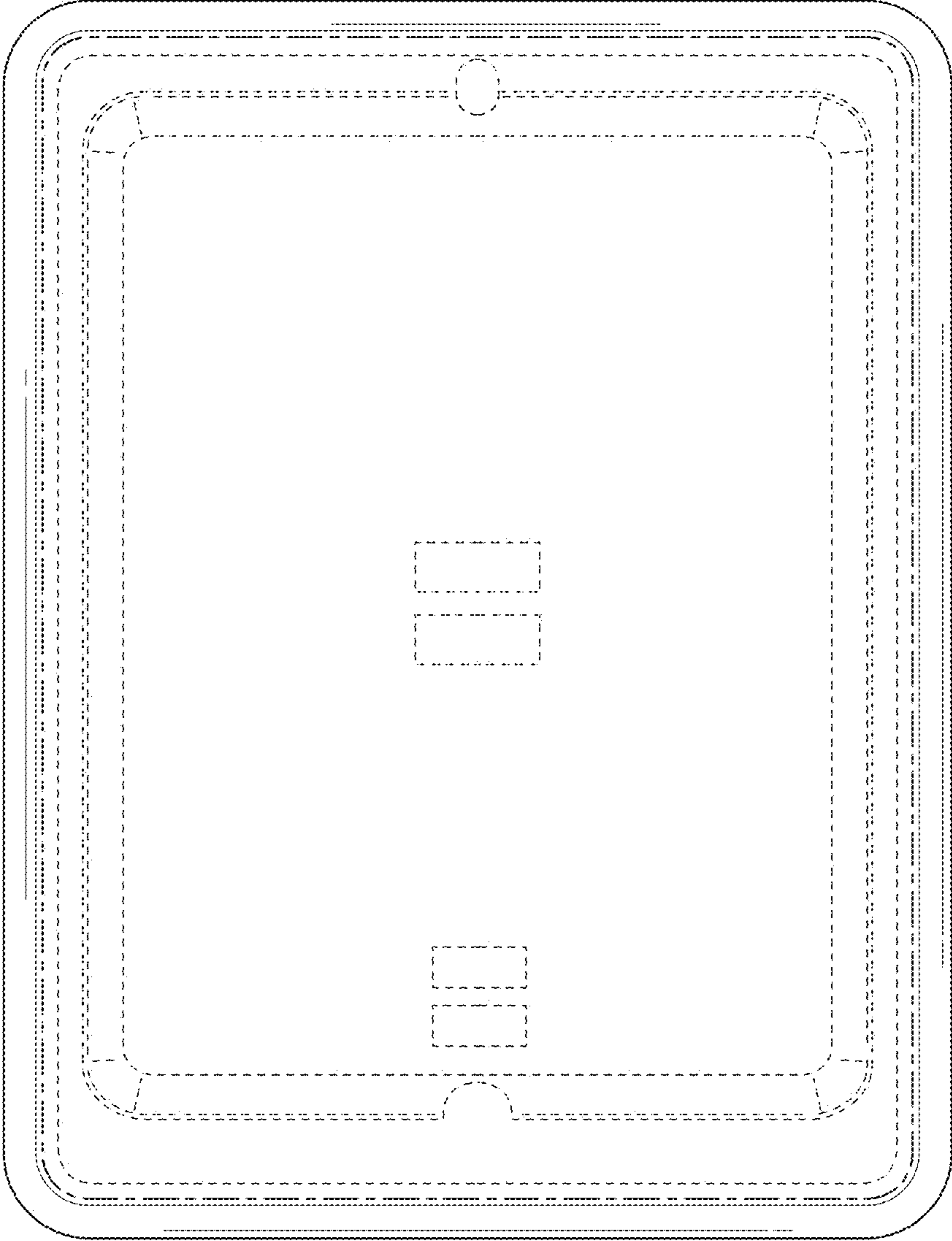


FIG. 3

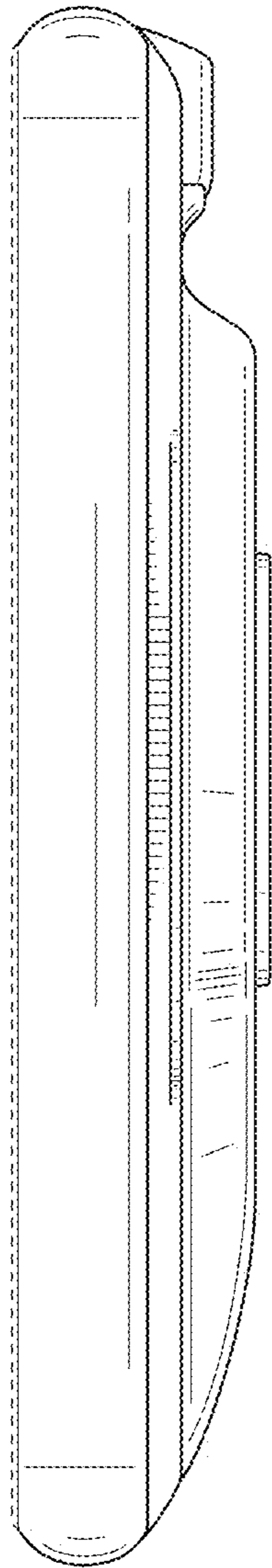


FIG. 4

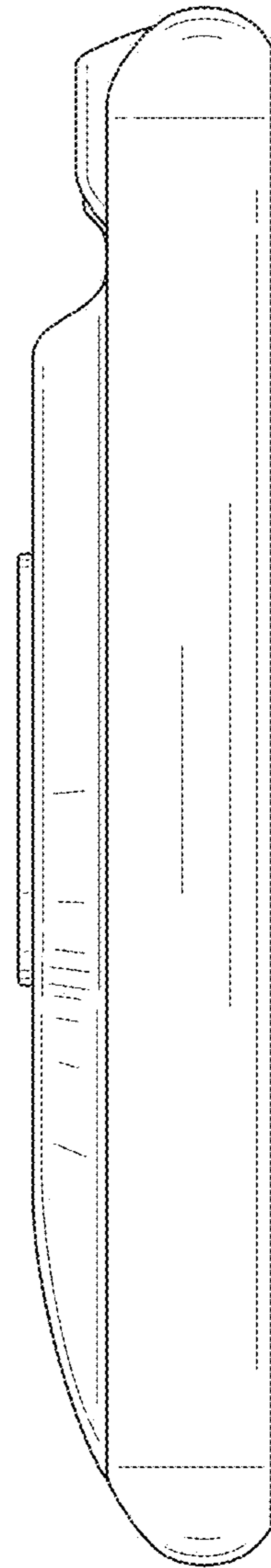


FIG. 5

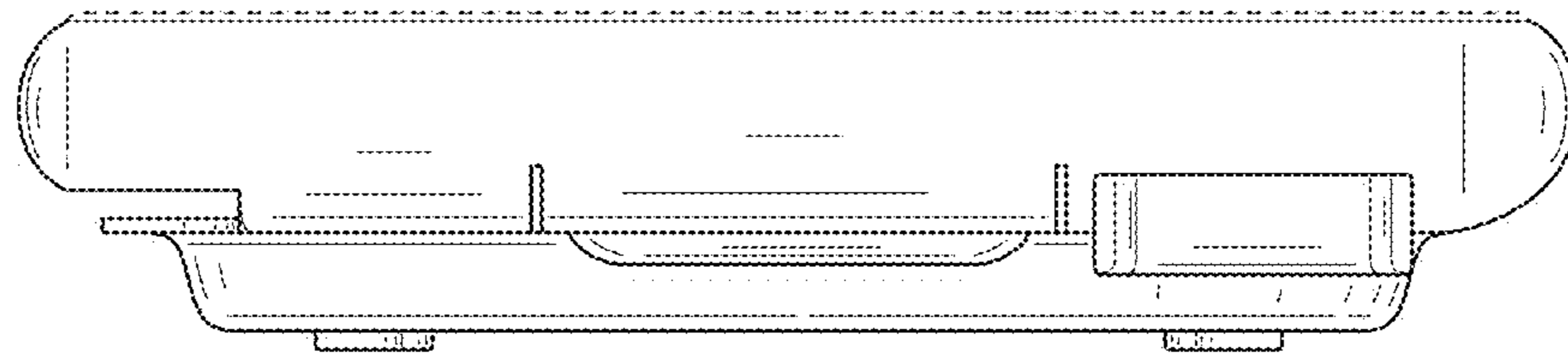


FIG. 6

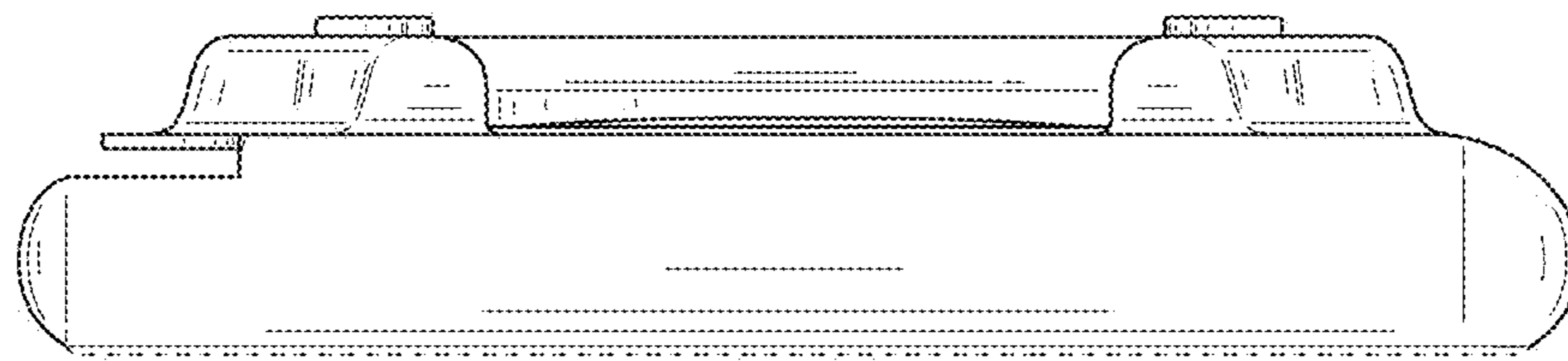


FIG. 7