



US00D824908S

(12) **United States Design Patent** (10) **Patent No.:** **US D824,908 S**  
**Schooneveldt et al.** (45) **Date of Patent:** **\*\* Aug. 7, 2018**

(54) **HAND-HELD INVENTORY DATA COLLECTION DEVICE**

(71) Applicant: **RGIS, LLC**, Auburn Hills, MI (US)

(72) Inventors: **Gregory Paul Schooneveldt**, Melbourne (AU); **David Allen Gehrke**, Shelby Township, MI (US); **Thomas Michael Stelman**, Utica, MI (US); **Michael Paul Lodewyk**, Waterford Township, MI (US); **Eric Shaun Brennan**, Orion Township, MI (US); **Chandran Kizhakkekuttu Parameswaran**, Kerala (IN); **Anumod Kariyath Sreedharan**, Kerala (IN); **Jiju Koratten**, Kerala (IN)

(73) Assignee: **RGIS, LLC**, Auburn Hills, MI (US)

(\*\*) Term: **15 Years**

(21) Appl. No.: **29/543,784**

(22) Filed: **Oct. 28, 2015**

(51) **LOC (11) Cl.** ..... **14-02**

(52) **U.S. Cl.**  
USPC ..... **D14/426**; D14/429

(58) **Field of Classification Search**  
USPC ..... D14/420, 426–430, 453, 346, 341, 347, D14/412, 138; D13/107, 184; 358/473; 235/462.43, 462.45, 462.47, 462.48, 235/462.44, 462.46, 487, 472.01, 472.02, 235/145 A, 145 R; D10/46, 78; 324/426; D3/273; 710/73; D18/7, 14; 361/679, 361/679.56, 728; 382/313, 321; 455/575.1, 561, 572; 345/156, 168, 169, 345/172, 173, 87; 705/17, 18, 22–25  
CPC ..... G06F 1/626; G06F 1/1626; G06F 1/1632; G06F 1/1635; G06F 1/1656; G06F 1/1684; G06F 8/63; G06F 17/30091; G06F 9/4401; G06K 7/10881; G06K 7/1098; G06K 7/10722; G06K 7/1404; G06K 7/0004; G06K 7/10633; G06K 7/10851; G06K 7/1091; G06K 7/1092;

G06K 7/1093; G06K 7/10; G06K 7/109; G06K 7/1417; G06K 9/288; G06K 17/0022; G06K 17/00; G06K 2207/1011; G06K 2207/1013; G06K 2207/1016; G06K 2207/1018; G06K 2017/0051; G06K 2017/0067; G06K

(Continued)

(56) **References Cited**

U.S. PATENT DOCUMENTS

D248,946 S 8/1978 Koenig  
D292,401 S 10/1987 Lee et al.

(Continued)

OTHER PUBLICATIONS

U.S. Appl. No. 29/543,787, filed Oct. 28, 2015, Gregory Paul Schooneveldt, et al.

*Primary Examiner* — Katie Jane Stofko

(74) *Attorney, Agent, or Firm* — Harness, Dickey & Pierce, P.L.C.

(57) **CLAIM**

The ornamental design for a hand-held inventory data collection device, as shown and described.

**DESCRIPTION**

FIG. 1 is a front, right side, bottom perspective view of a hand-held inventory data collection device; FIG. 2 is a front view thereof; FIG. 3 is a top view thereof; FIG. 4 is a bottom view thereof; FIG. 5 is a right side view thereof; FIG. 6 is a left side view thereof; and, FIG. 7 is a back view thereof.

The broken lines in FIGS. 1-7 illustrate portions of the hand-held inventory data collection device that form no part of the claimed design.

**1 Claim, 6 Drawing Sheets**



(58) **Field of Classification Search**

CPC ..... 2007/10524; G07G 1/0081; G07G 1/009;  
 G06Q 20/20; G06Q 20/201; G06Q  
 20/202; G06Q 20/203; G06Q 20/30;  
 G06Q 20/32; G06Q 20/322; G06Q  
 20/4014; G06Q 10/087; H04N 1/00127;  
 H04N 1/00135; H04N 1/00326; H04N  
 1/00334; H04N 1/00307; H04N 1/107;  
 H04N 2201/084; H04N 2101/00; H04M  
 1/0249; H04M 1/0262; H04M 1/0266;  
 H04M 1/18; H04M 1/23; H04M 1/236;  
 H04B 1/3827; H04B 1/3833; H04B  
 1/3877; H04B 1/3883; H04B 1/3888;  
 H04B 2001/3894; H01M 2/1066

See application file for complete search history.

(56) **References Cited**

U.S. PATENT DOCUMENTS

D340,034 S 10/1993 Hofstetter et al.  
 D355,904 S 2/1995 Swartz et al.  
 D357,240 S 4/1995 Kitazumi et al.  
 D381,975 S 8/1997 Trausch et al.  
 D383,124 S 9/1997 Lanzaro et al.  
 5,679,943 A 10/1997 Schultz et al.  
 D386,152 S 11/1997 Warneke  
 D391,234 S 2/1998 Chacon et al.  
 5,736,726 A 4/1998 VanHorn et al.  
 D398,903 S \* 9/1998 Chacon ..... D14/343  
 5,831,819 A 11/1998 Chacon et al.

D414,470 S 9/1999 Chacon et al.  
 D417,445 S 12/1999 Chacon et al.  
 6,039,256 A 3/2000 Konosu et al.  
 6,097,606 A 8/2000 Groves et al.  
 D434,762 S 12/2000 Ikenaga  
 6,181,992 B1 1/2001 Gurne et al.  
 D447,141 S 8/2001 Itoh et al.  
 D462,357 S 9/2002 Jenkins  
 D463,425 S 9/2002 Jenkins  
 D477,598 S 7/2003 Mathiowetz et al.  
 D490,731 S 6/2004 Bradford  
 D574,380 S 8/2008 Freed et al.  
 D613,290 S \* 4/2010 Arnold ..... D14/426  
 D622,726 S \* 8/2010 Alegiani ..... D14/426  
 D633,502 S \* 3/2011 Alegiani ..... D14/426  
 D638,422 S \* 5/2011 Reed ..... D14/347  
 D656,174 S 4/2012 Tasselli et al.  
 D659,564 S 5/2012 Baxter  
 D673,955 S \* 1/2013 Mangaroo ..... D14/426  
 D677,663 S \* 3/2013 Minafo ..... D14/426  
 D709,503 S \* 7/2014 Chen ..... D14/426  
 D716,307 S \* 10/2014 Paufler ..... D14/426  
 D741,927 S 10/2015 Li et al.  
 D747,715 S \* 1/2016 Borgini ..... D14/341  
 D753,119 S \* 4/2016 Paufler ..... D14/426  
 2001/0003071 A1 6/2001 Mansutti et al.  
 2002/0060247 A1 5/2002 Krishnaswamy et al.  
 2006/0054704 A1 3/2006 Fitch et al.  
 2009/0168337 A1 \* 7/2009 Conti ..... G06F 1/1626  
 361/679.56  
 2009/0295567 A1 12/2009 Bellows  
 2010/0020488 A1 \* 1/2010 Mangaroo ..... G06K 7/10881  
 361/679.55

\* cited by examiner





FIG - 1

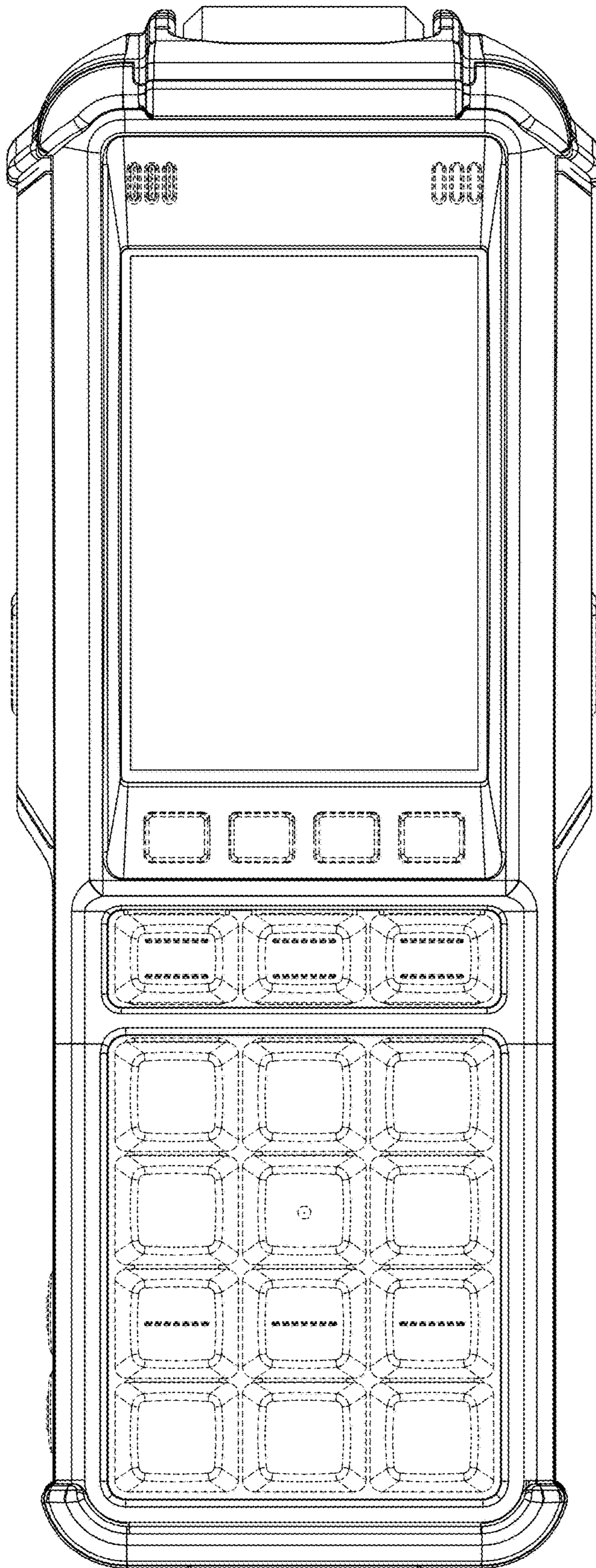


FIG - 2



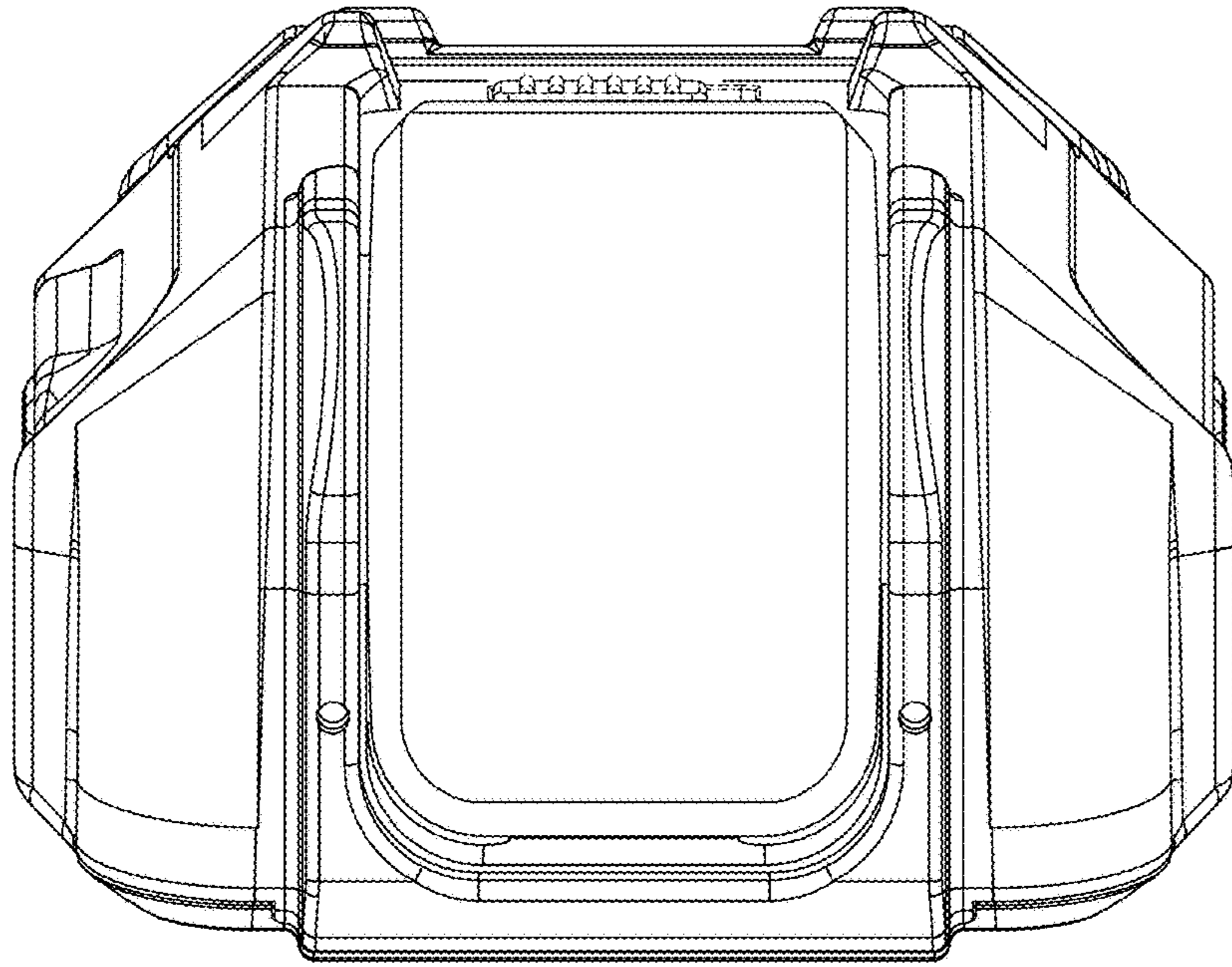


FIG - 3

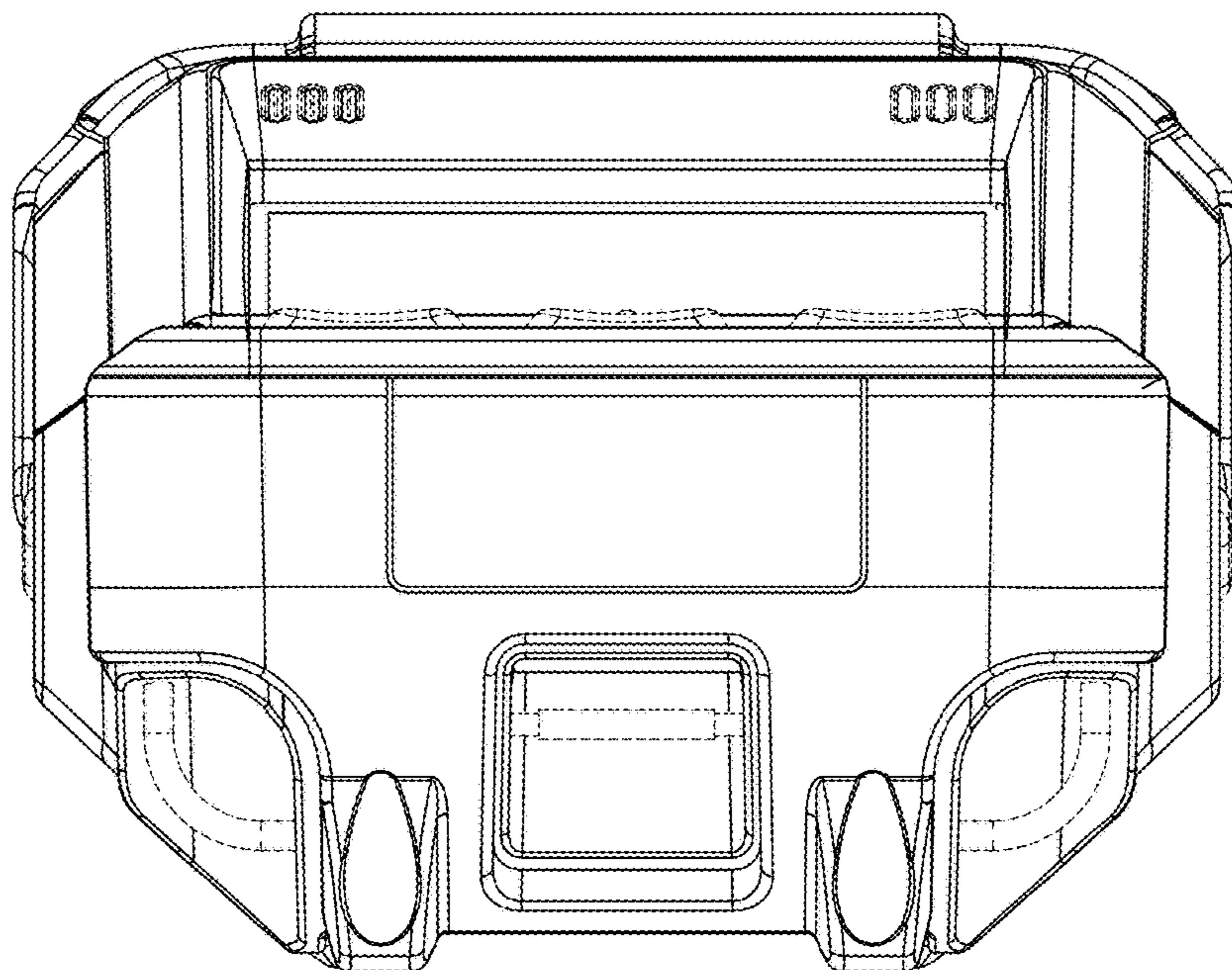
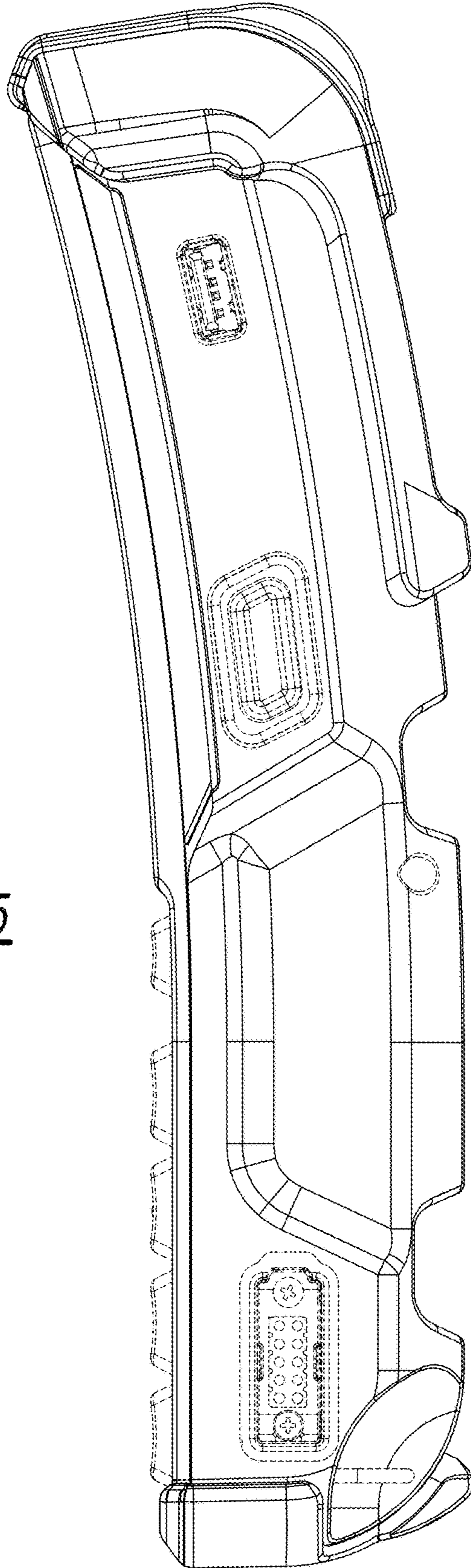


FIG - 4

FIG - 5



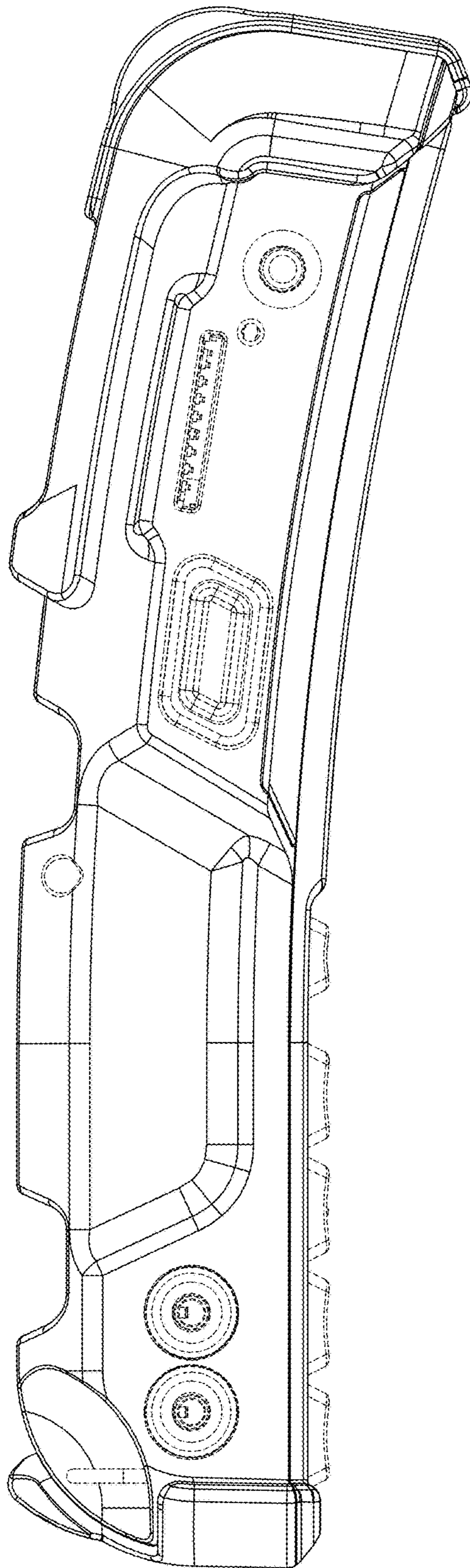


FIG - 6



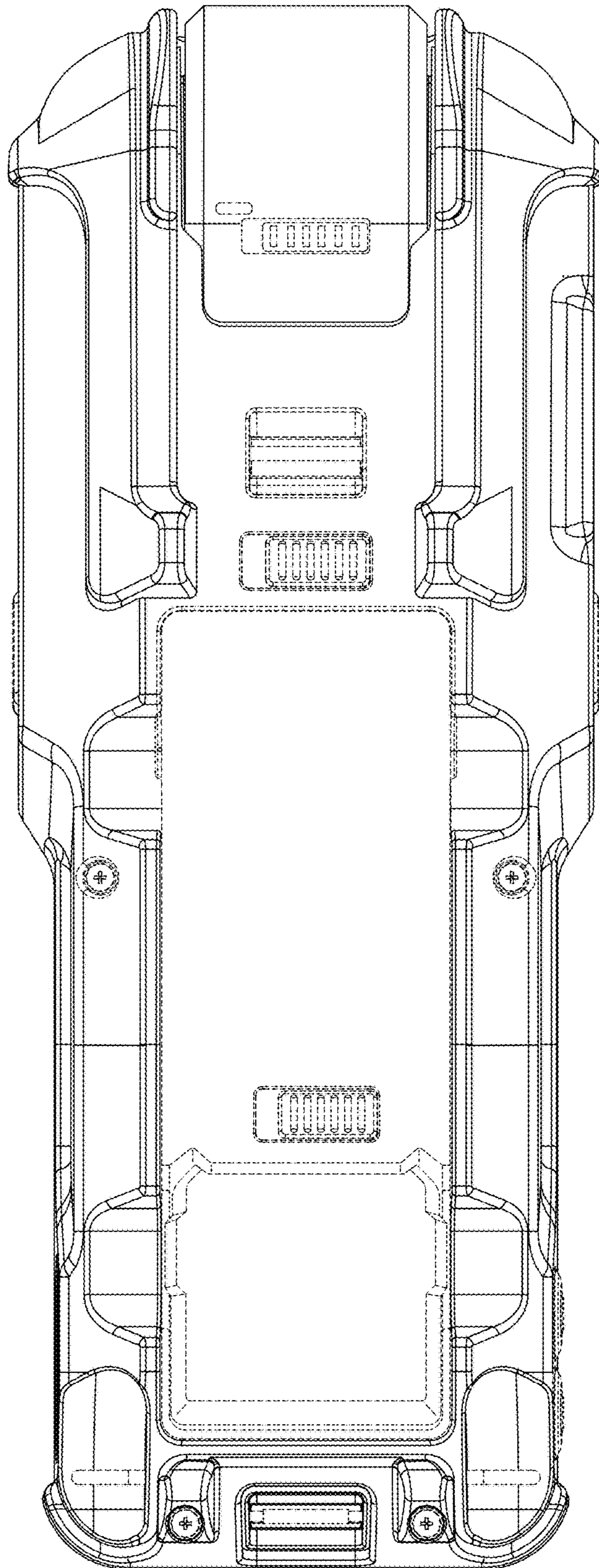


FIG - 7