

US00D824907S

(12) **United States Design Patent** (10) **Patent No.:** **US D824,907 S**  
**Oh et al.** (45) **Date of Patent:** **\*\* Aug. 7, 2018**

(54) **COMPUTER MOUSE**

(71) Applicant: **LG ELECTRONICS INC., Seoul (KR)**

(72) Inventors: **Byungsoo Oh, Seoul (KR); Dongsoon Kim, Seoul (KR); Yezo Yun, Seoul (KR)**

(73) Assignee: **LG ELECTRONICS INC., Seoul (KR)**

(\*\*) Term: **15 Years**

(21) Appl. No.: **35/503,038**

(22) Filed: **Nov. 23, 2016**

(80) **Hague Agreement Data**

Int. Filing Date: **Nov. 23, 2016**

Int. Reg. No.: **DM/094132**

Int. Reg. Date: **Nov. 23, 2016**

Int. Reg. Pub. Date: **May 26, 2017**

(30) **Foreign Application Priority Data**

May 26, 2016 (KR) ..... 30-2016-0025502

(51) **LOC (11) Cl.** ..... **14-02**

(52) **U.S. Cl.**  
USPC ..... **D14/408**  
CPC ..... **G06F 3/03543 (2013.01)**

(58) **Field of Classification Search**

USPC ..... D14/402-411, 356, 383-389, 417, 426;  
345/156-167; 463/36-38; 358/471-473

CPC ..... G06F 3/03543; G06F 2203/0333; G06F  
3/039; G06F 3/038; G06F 2203/0384

See application file for complete search history.

(56) **References Cited**

**U.S. PATENT DOCUMENTS**

D454,568 S \* 3/2002 Andre ..... D14/402

D483,765 S \* 12/2003 Ma ..... D14/408

D513,258 S *	12/2005	Huang	.....	D14/408
D580,938 S *	11/2008	Simonian	.....	D14/402
D591,749 S *	5/2009	Huang	.....	D14/402
D635,572 S *	4/2011	Kujawski	.....	D14/408
D648,724 S *	11/2011	Andre	.....	D14/408
D651,604 S *	1/2012	Fischer	.....	D14/408
D656,499 S *	3/2012	Lee	.....	D14/408
D665,806 S *	8/2012	Lee	.....	D14/408
D667,408 S *	9/2012	Lim	.....	D14/408
D689,494 S *	9/2013	Widiaman	.....	D14/408
D709,885 S *	7/2014	Lee	.....	D14/408
D737,274 S *	8/2015	Kuo	.....	D14/408
D766,242 S *	9/2016	Moon	.....	D14/407
D766,243 S *	9/2016	Andre	.....	D14/408
D782,480 S *	3/2017	Nalbandian	.....	D14/408
D803,838 S *	11/2017	Raken	.....	D14/408

\* cited by examiner

*Primary Examiner* — Richard E Chilcot

(74) *Attorney, Agent, or Firm* — Birch, Stewart, Kolasch & Birch, LLP

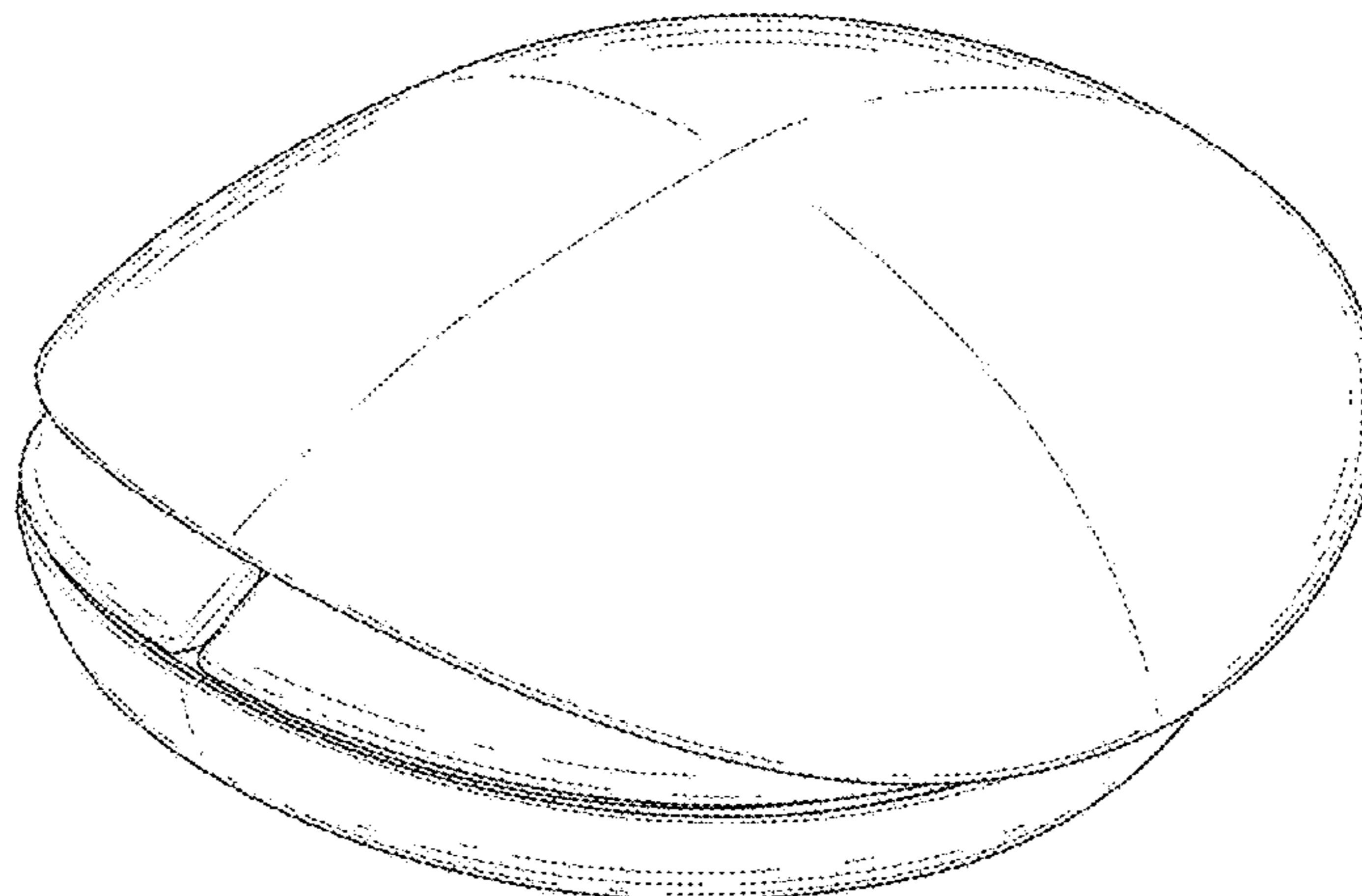
(57) **CLAIM**

The ornamental design for a computer mouse, as shown and described.

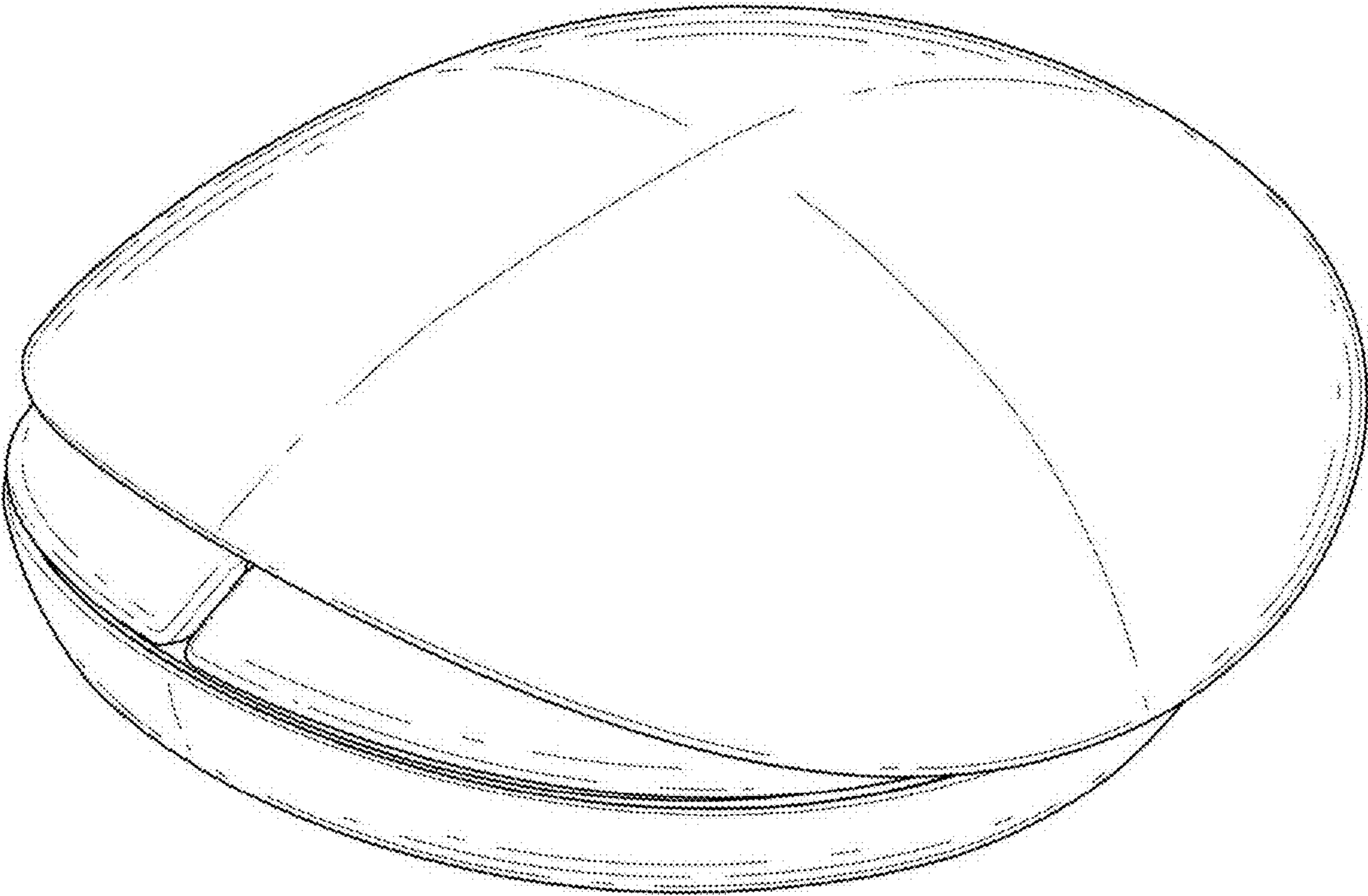
**DESCRIPTION**

- 1. Computer mouse
- 1.1 : Perspective
- 1.2 : Front
- 1.3 : Back
- 1.4 : Left
- 1.5 : Right
- 1.6 : Top
- 1.7 : Bottom
- 1.8 : Perspective
- 1.9 : Front
- 1.10 : Back
- 1.11 : Left
- 1.12 : Right
- 1.13 : Top
- 1.14 : Bottom

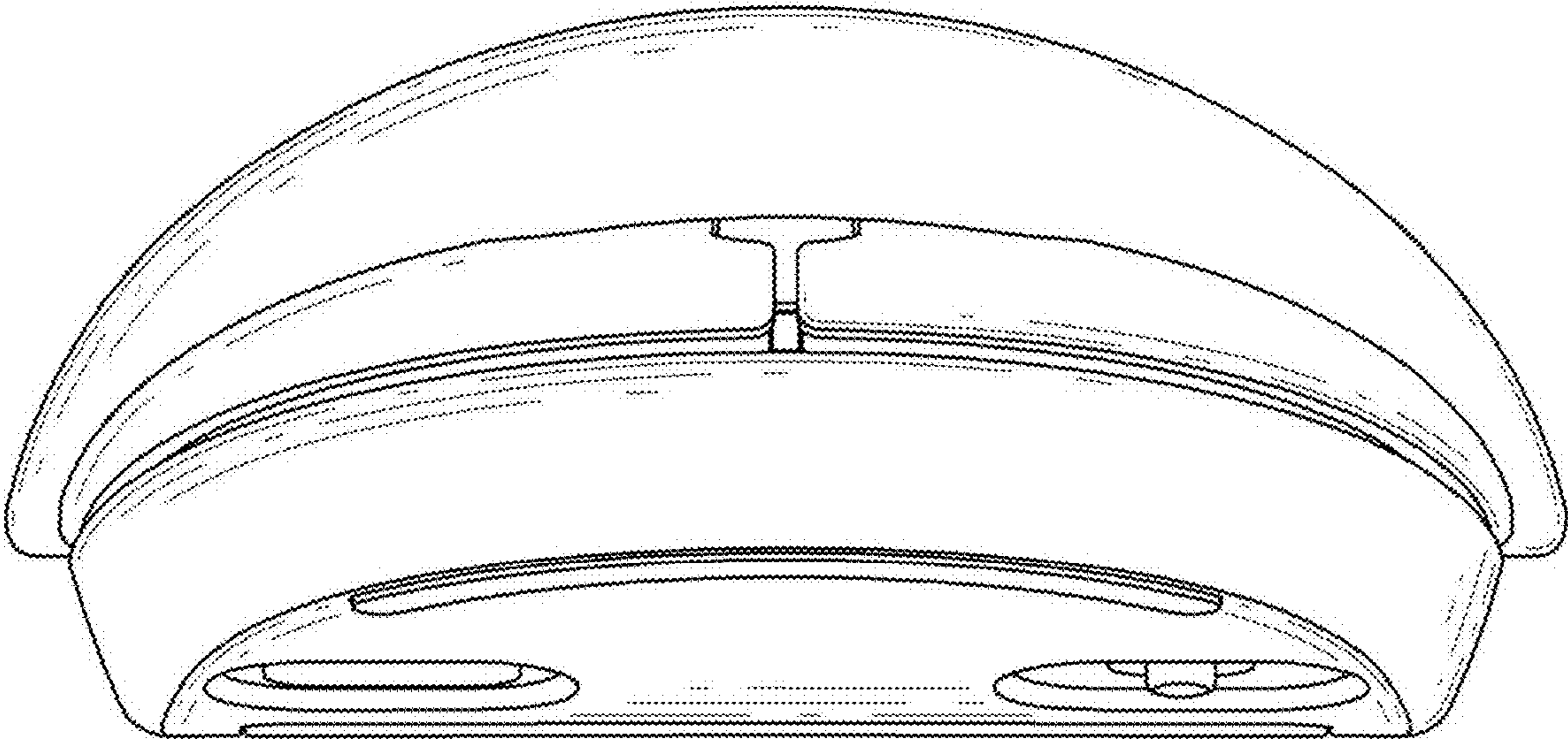
**1 Claim, 14 Drawing Sheets**



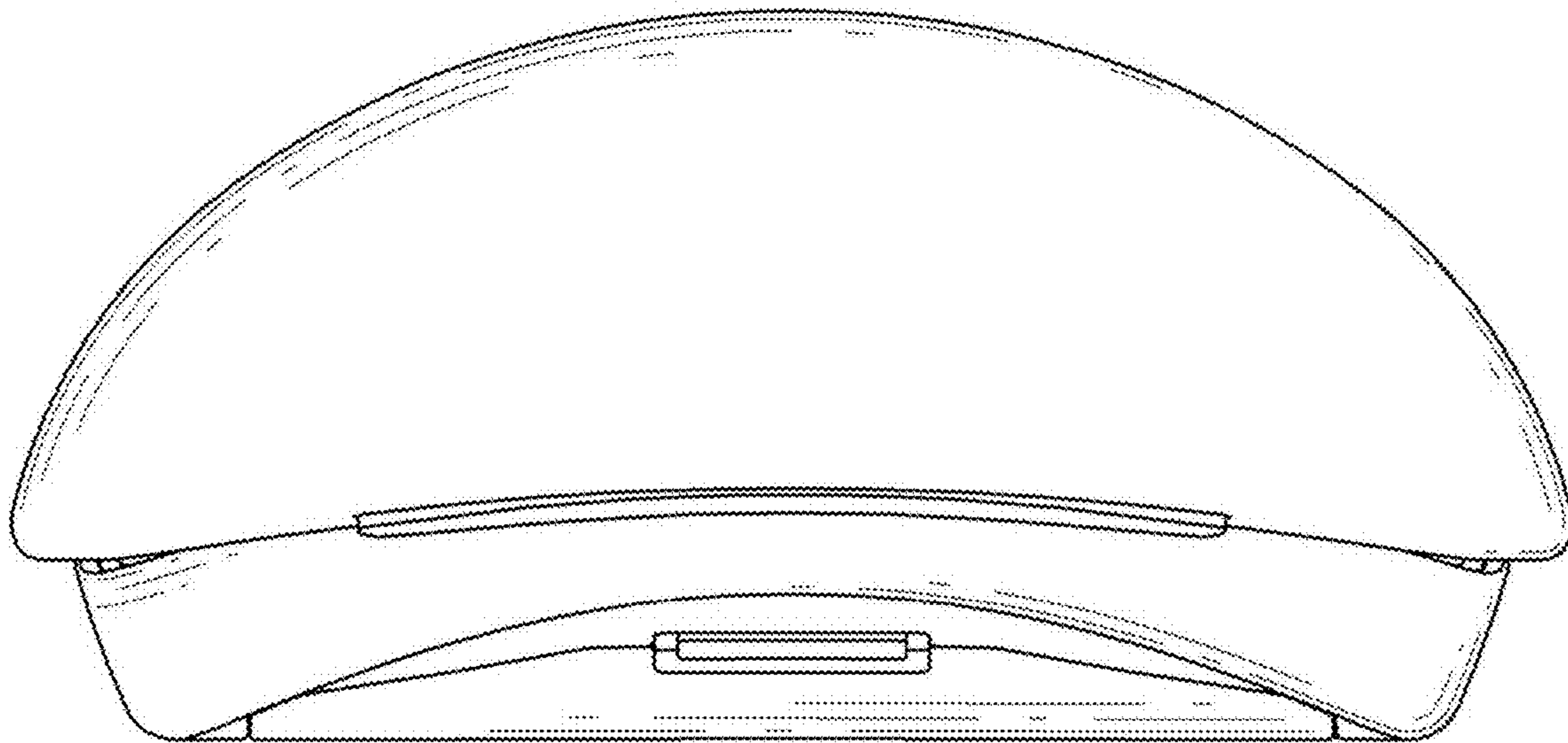
1.1



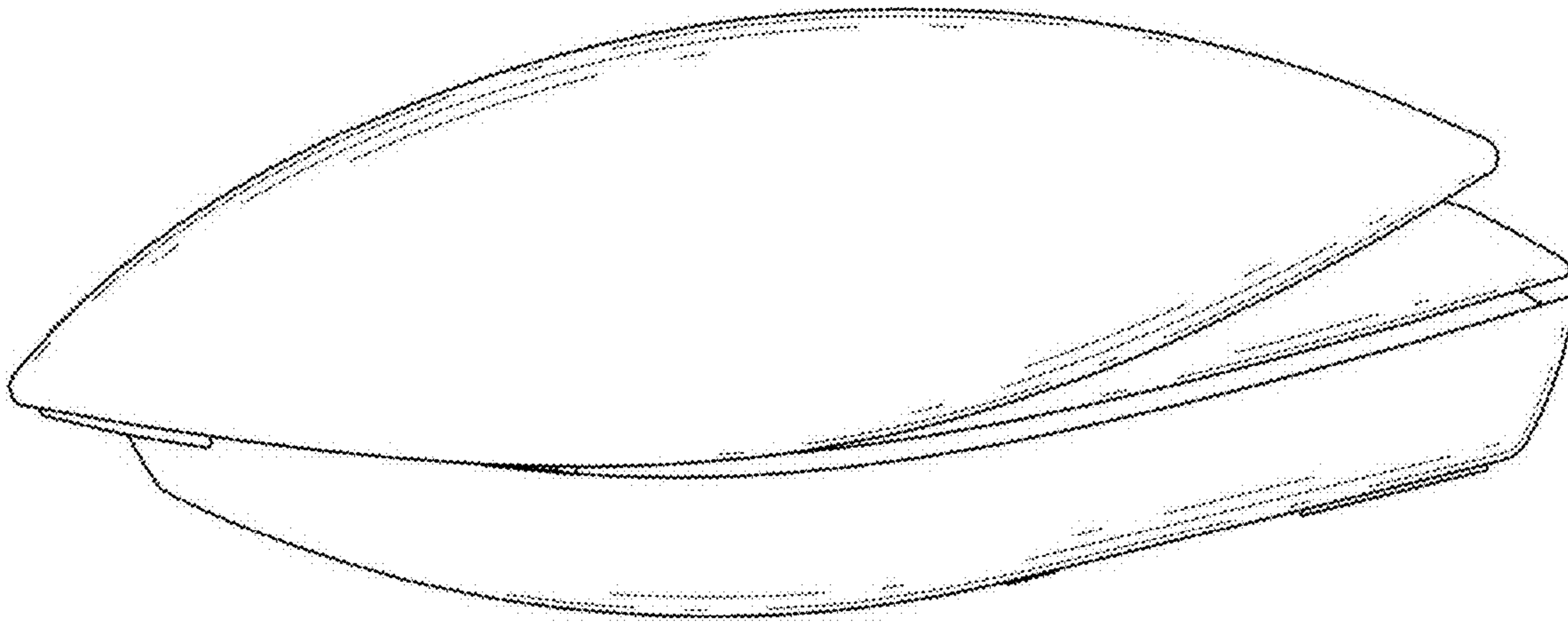
1.2



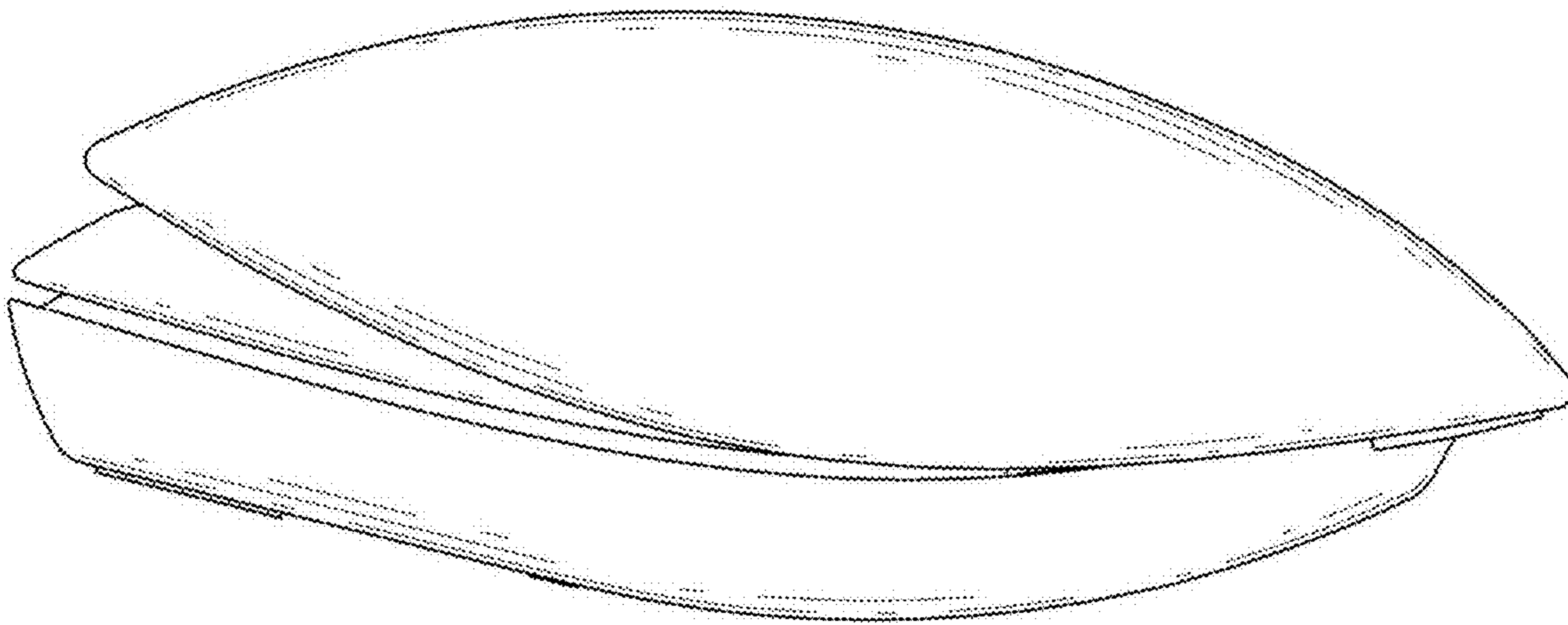
1.3



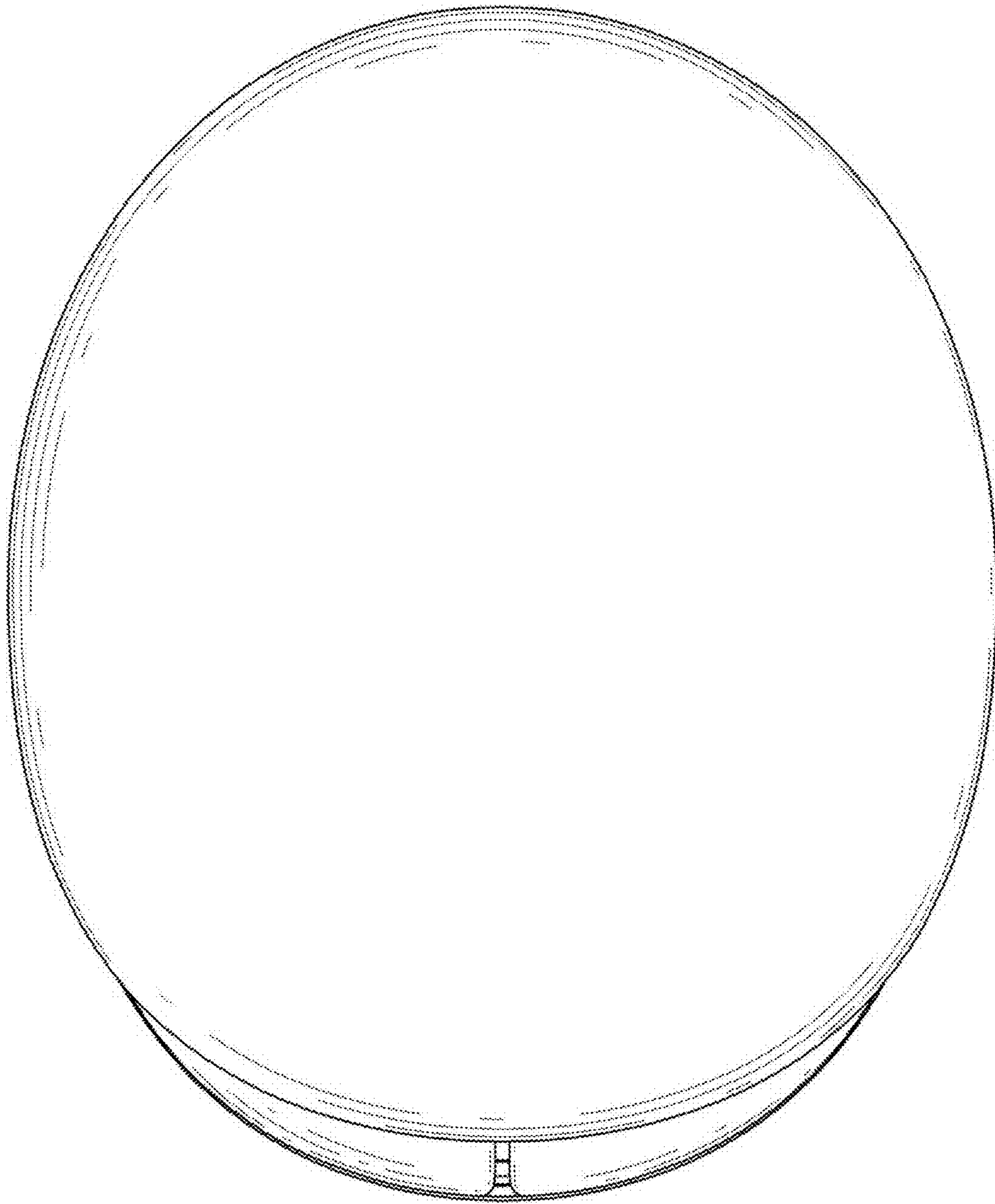
1.4



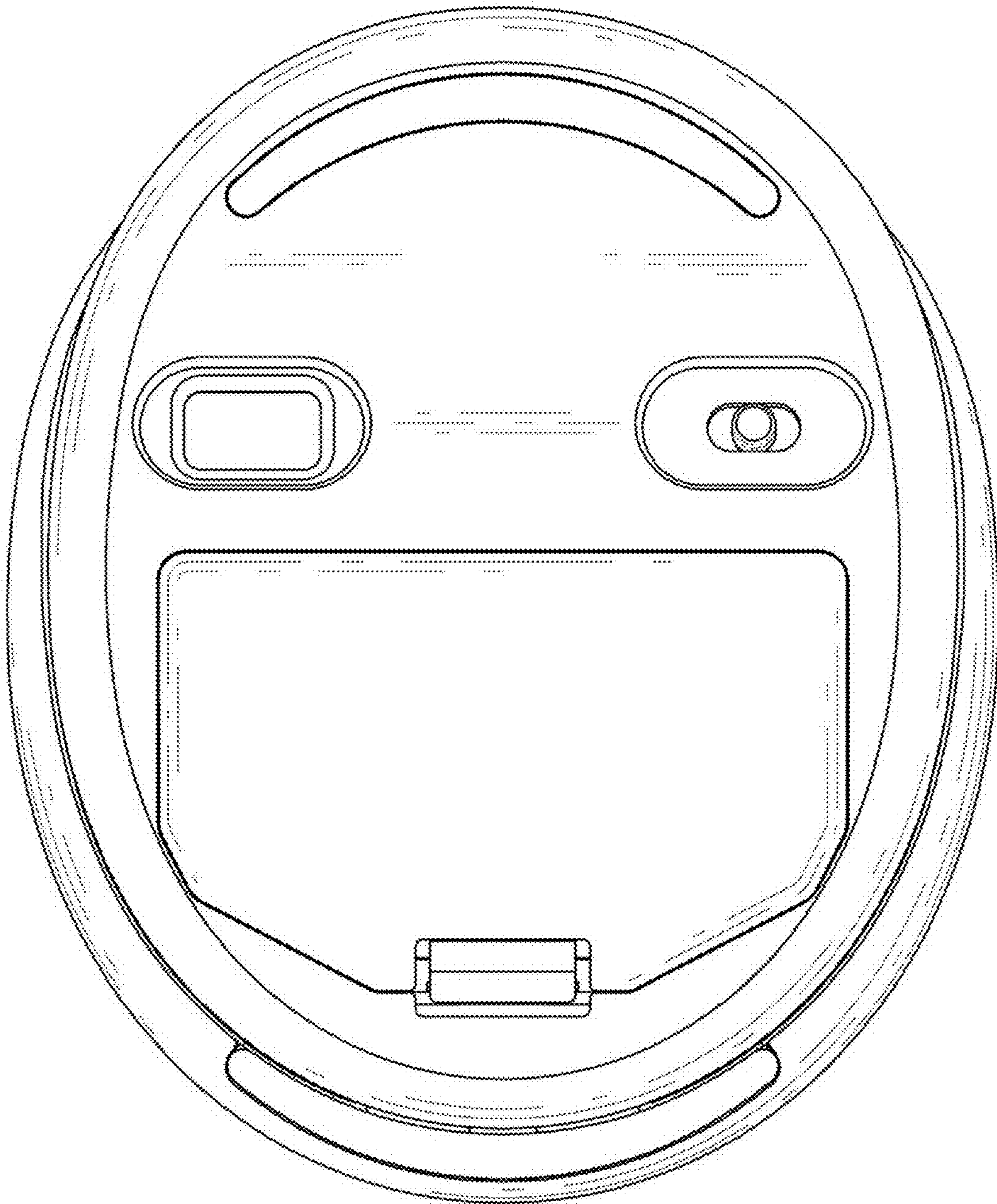
1.5



1.6

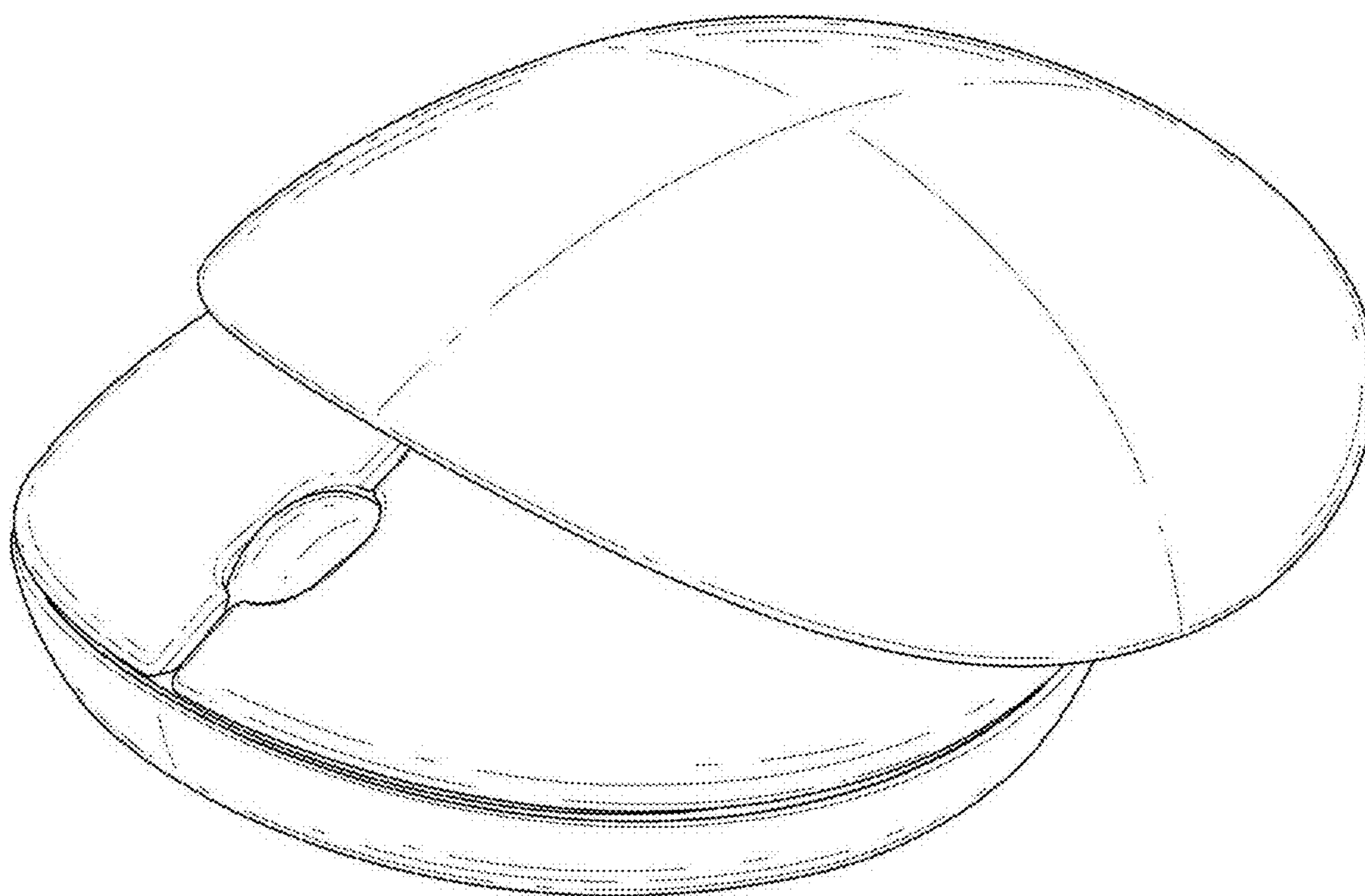


1.7

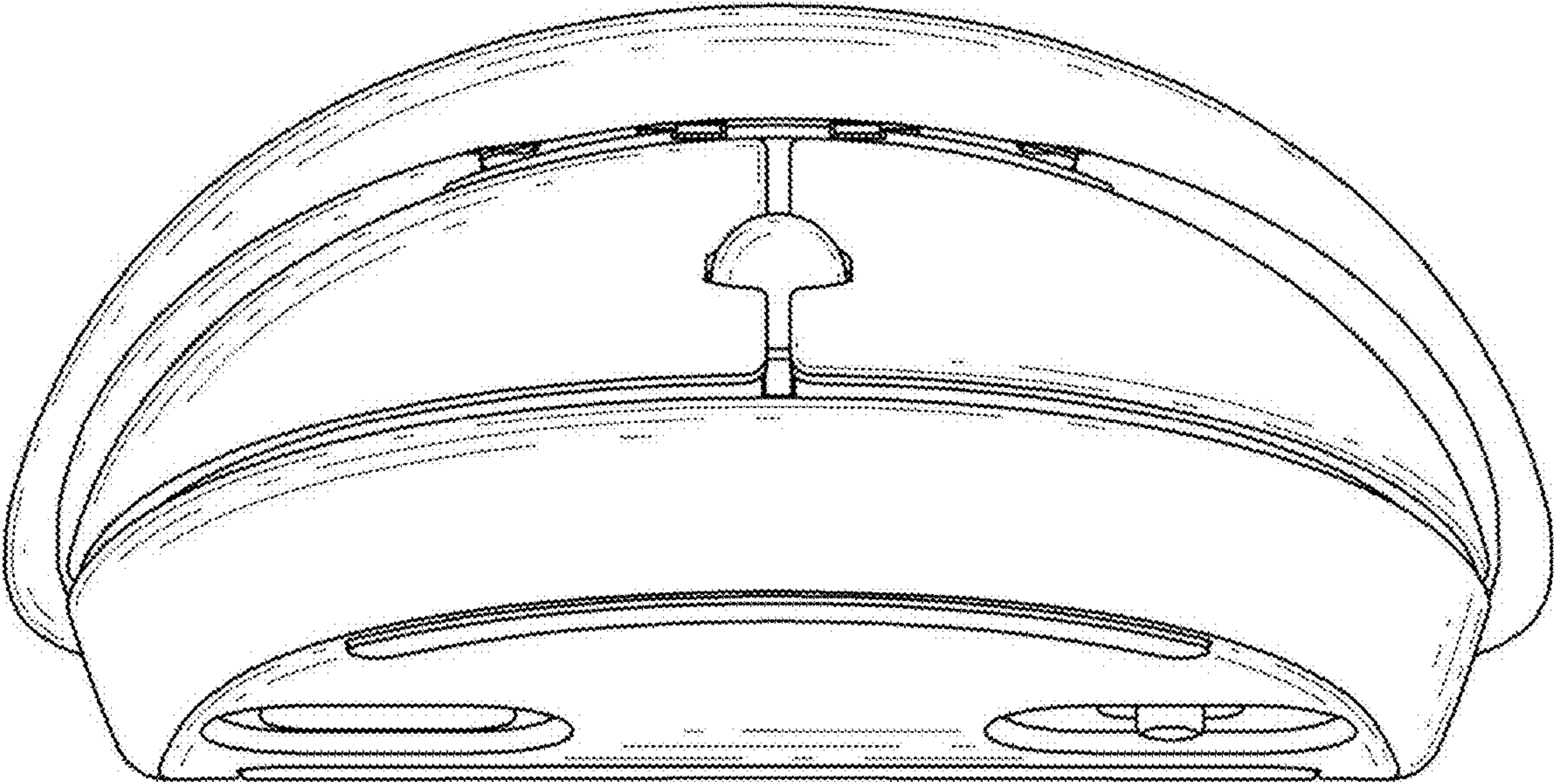




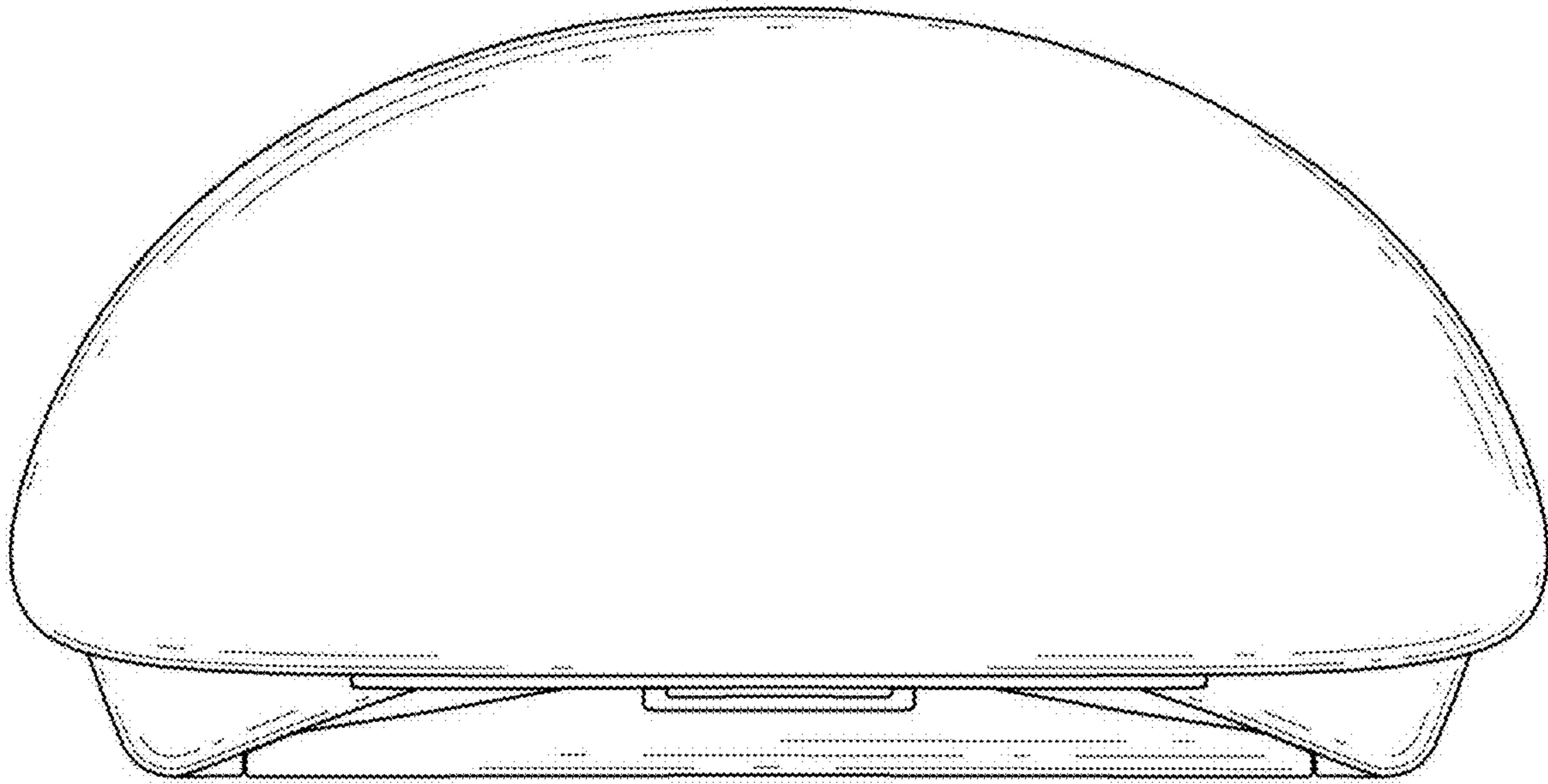
1.8



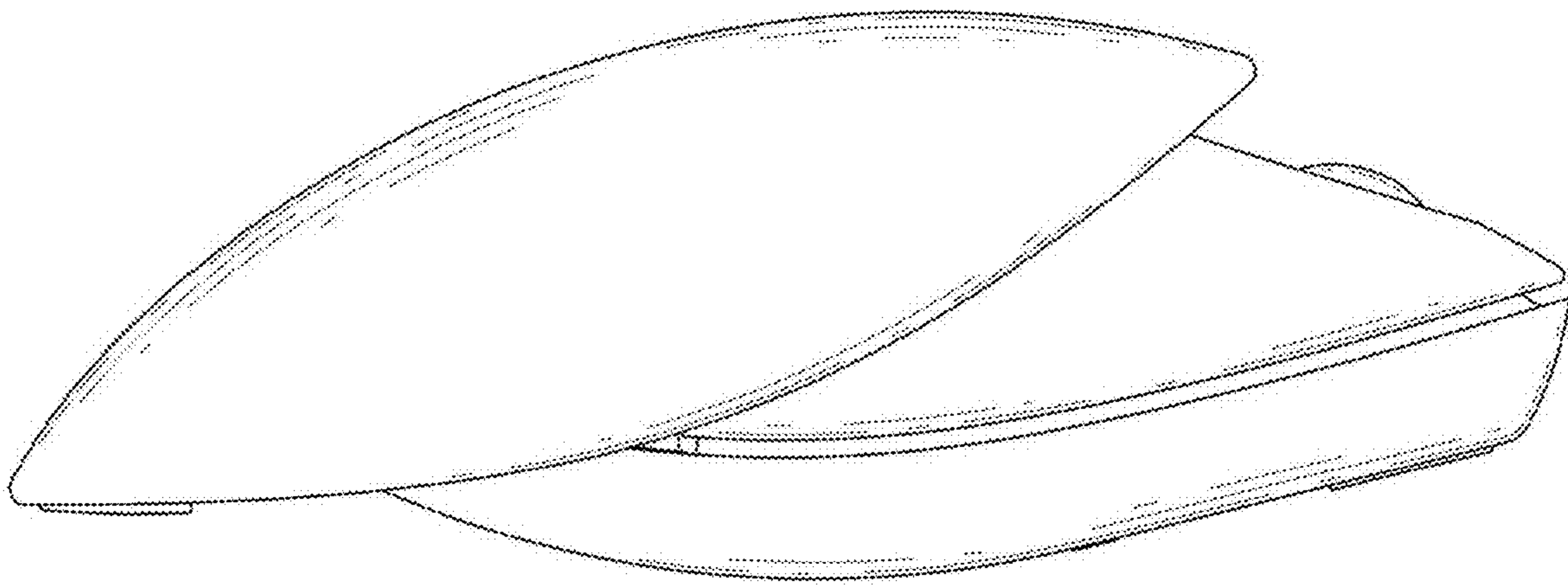
1.9



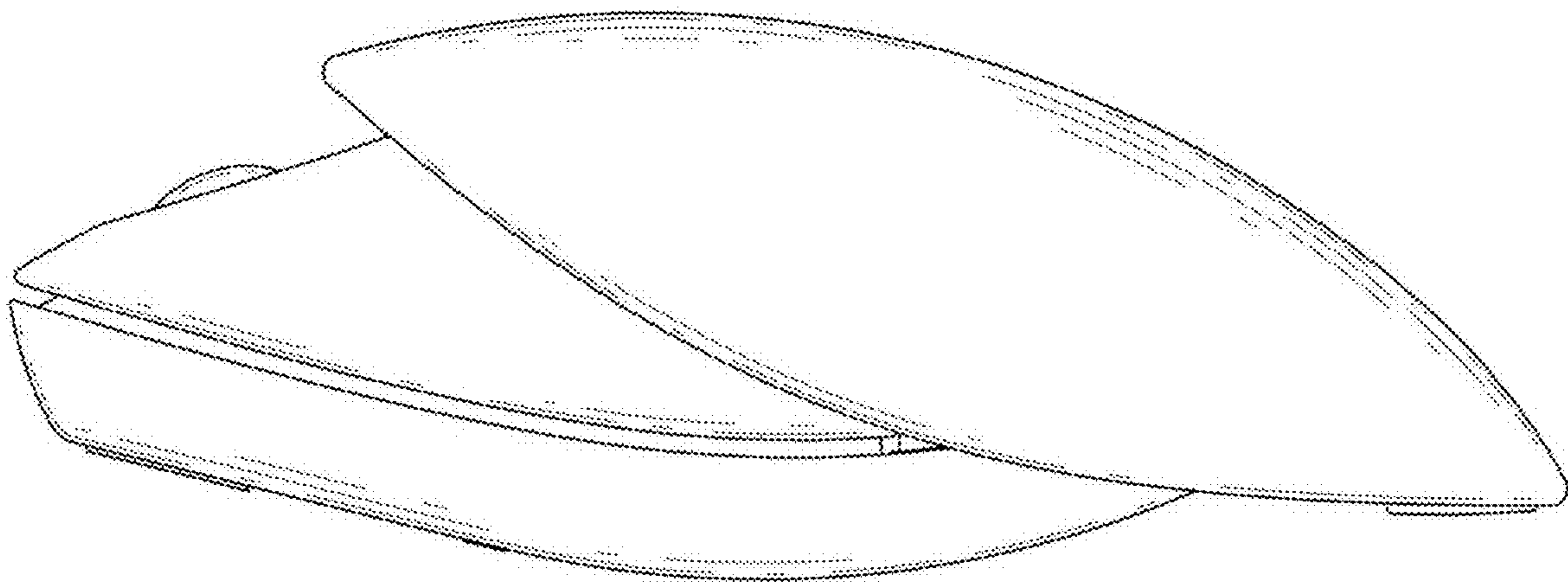
1.10



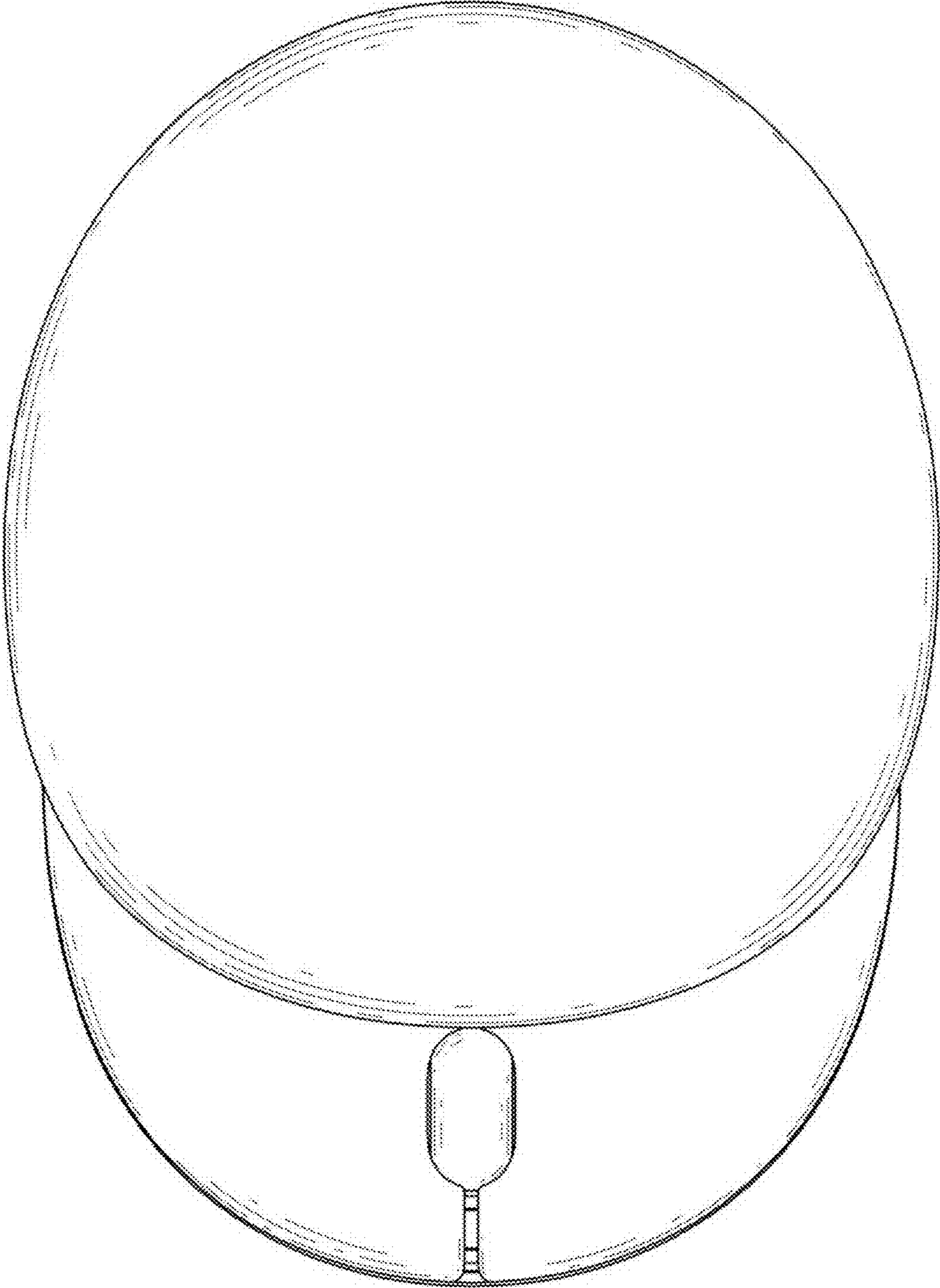
1.11



1.12



1.13



1.14

