



US00D824906S

(12) **United States Design Patent** (10) **Patent No.:** **US D824,906 S**
Feng et al. (45) **Date of Patent:** **** Aug. 7, 2018**

(54) **DISPLAY**

(56) **References Cited**

(71) Applicant: **Empire Technological Group Limited,**
Las Vegas, NV (US)

U.S. PATENT DOCUMENTS

(72) Inventors: **Linyi Frank Feng,** Las Vegas, NV
(US); **Daryn Kiely,** Henderson, NV
(US)

D424,068	S	*	5/2000	Takemasa	D14/126
D628,199	S	*	11/2010	Yukikado	D14/371
D628,913	S	*	12/2010	Cheng	D10/65
D641,018	S	*	7/2011	Lee	D14/341
D669,076	S	*	10/2012	Haller	D14/374
D698,353	S	*	1/2014	Choi	D14/138 G
D726,295	S	*	4/2015	Kim	D23/351
D761,901	S	*	7/2016	Kim	D14/371
D778,279	S	*	2/2017	Pendse	D14/341
2003/0058372	A1	*	3/2003	Williams	F16M 11/18 348/836
2003/0089010	A1	*	5/2003	Wechter	G09F 25/00 40/584

(73) Assignee: **Empire Technological Group Limited,**
Las Vegas, NV (US)

(**) Term: **15 Years**

(21) Appl. No.: **29/615,741**

* cited by examiner

(22) Filed: **Aug. 30, 2017**

Primary Examiner — Freda S Nunn

Related U.S. Application Data

(57) **CLAIM**

(63) Continuation of application No. 29/600,225, filed on
Apr. 10, 2017.

We claim the ornamental design for a display, substantially
as shown and described.

(51) **LOC (11) Cl.** **14-02**

DESCRIPTION

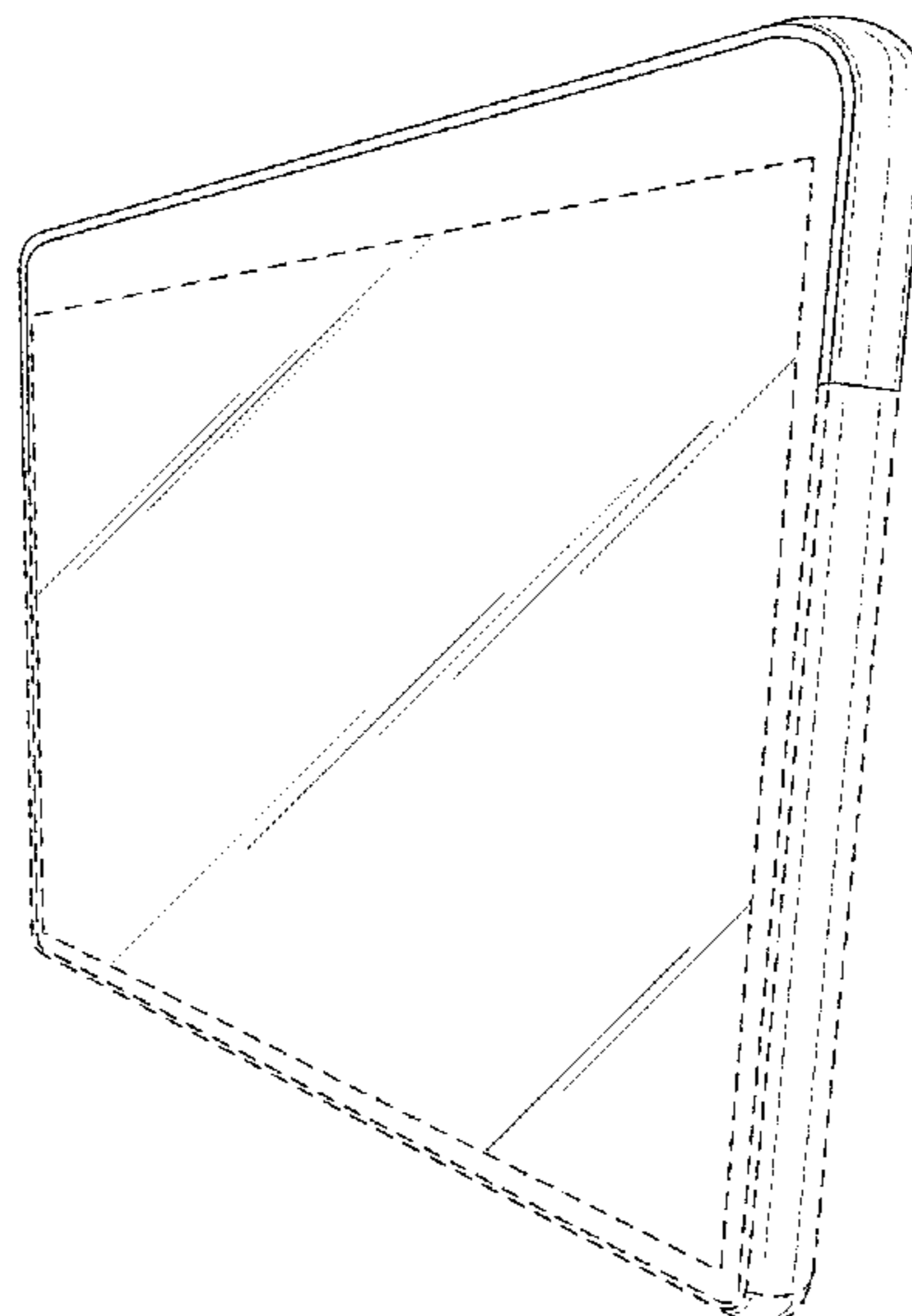
(52) **U.S. Cl.**
USPC **D14/374**

(58) **Field of Classification Search**
USPC D14/371–375, 125–129, 336, 337;
D6/300, 308; D19/113, 114; D20/10
CPC G09F 15/0025; G09F 15/0062; G09F
15/0068; G09F 25/00; G06F 1/16; G06F
1/1613; G06F 1/133308; G06F 1/1601;
G06F 1/1626; G06F 3/037; G06F 1/162;
F16M 11/02; F16M 11/10; F16M 11/00;
F16M 11/06; F16M 11/18; F16M 11/045;
F16M 11/105; F16M 11/041; F16M
11/126; F16M 11/04; F16M 11/24; F16M
13/02; A47F 5/00

FIG. 1 is a top perspective view of a display in accordance
with an embodiment of the present design.
FIG. 2 is a front view for the display in accordance with the
embodiment of the present design.
FIG. 3 is a rear view for the display in accordance with the
embodiment of the present design.
FIG. 4 is a left side view of the display in accordance with
the embodiment of the present design.
FIG. 5 is a right side view for the display in accordance with
the embodiment of the present design.
FIG. 6 is a top view for the display in accordance with the
embodiment of the present design; and,
FIG. 7 is a bottom view for the display in accordance with
the embodiment of the present design.
The features shown in broken lines in the various figures are
for illustrating environmental structure and form no part of
the claimed design.

See application file for complete search history.

1 Claim, 4 Drawing Sheets



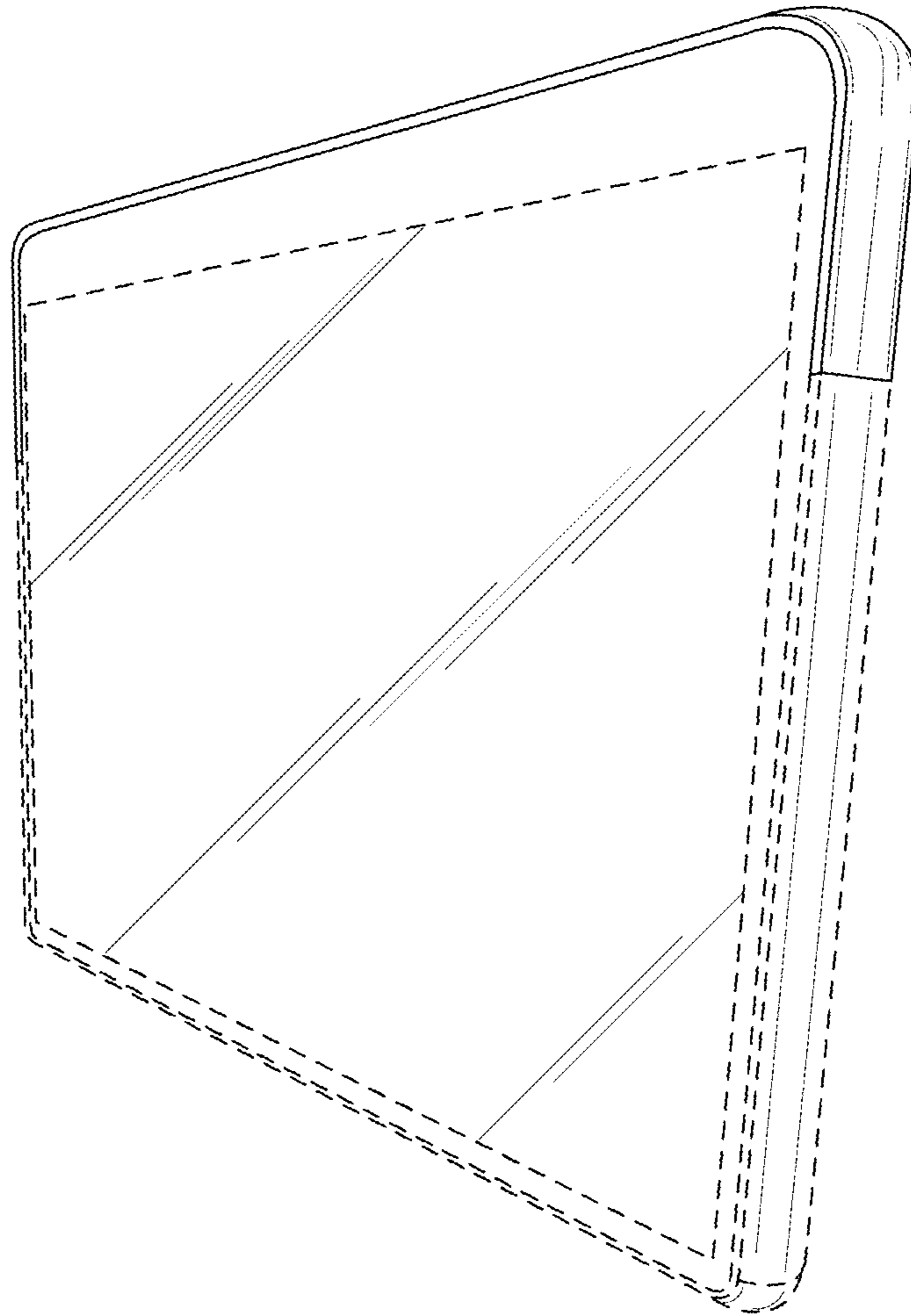


FIG. 1

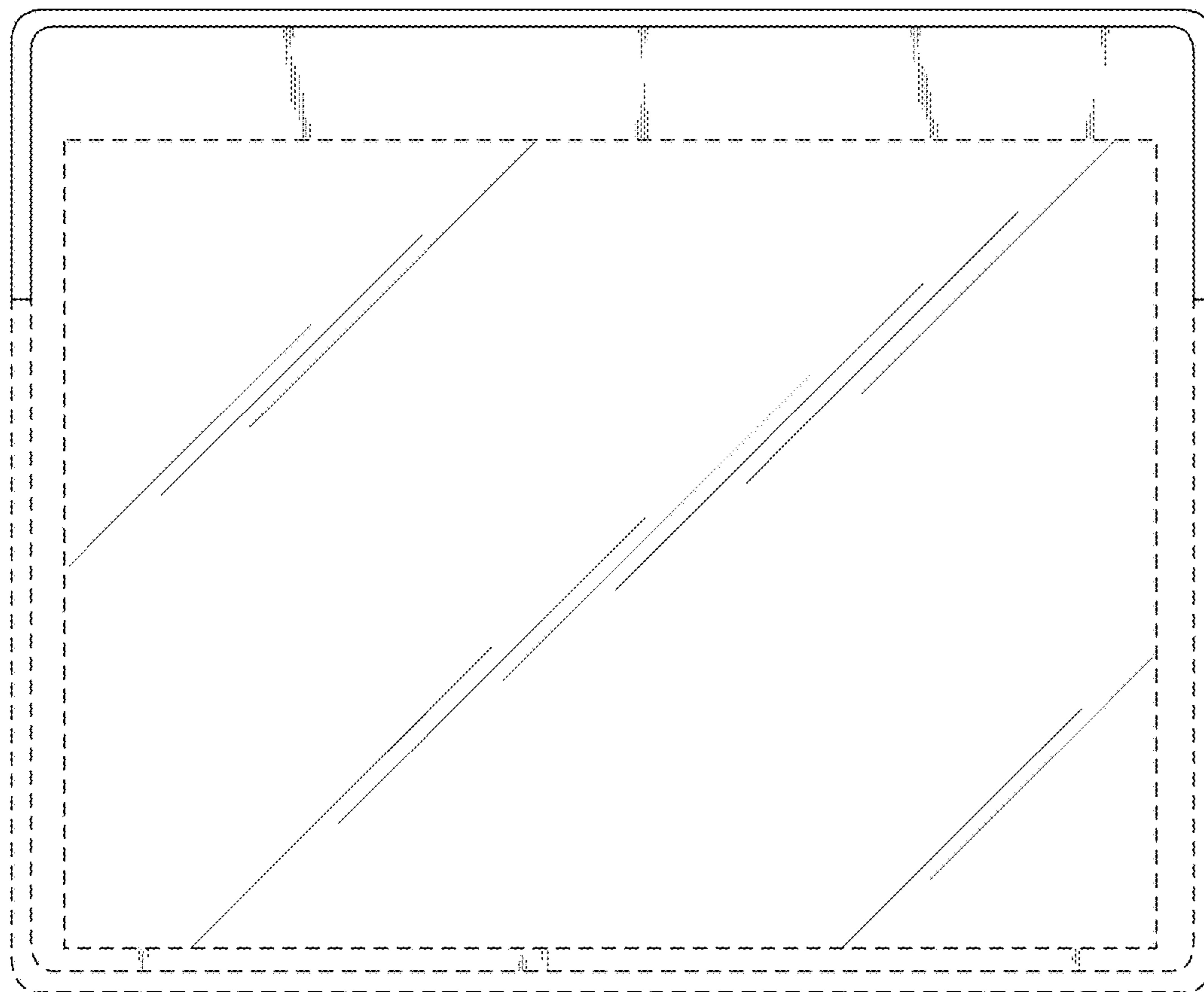


FIG. 2

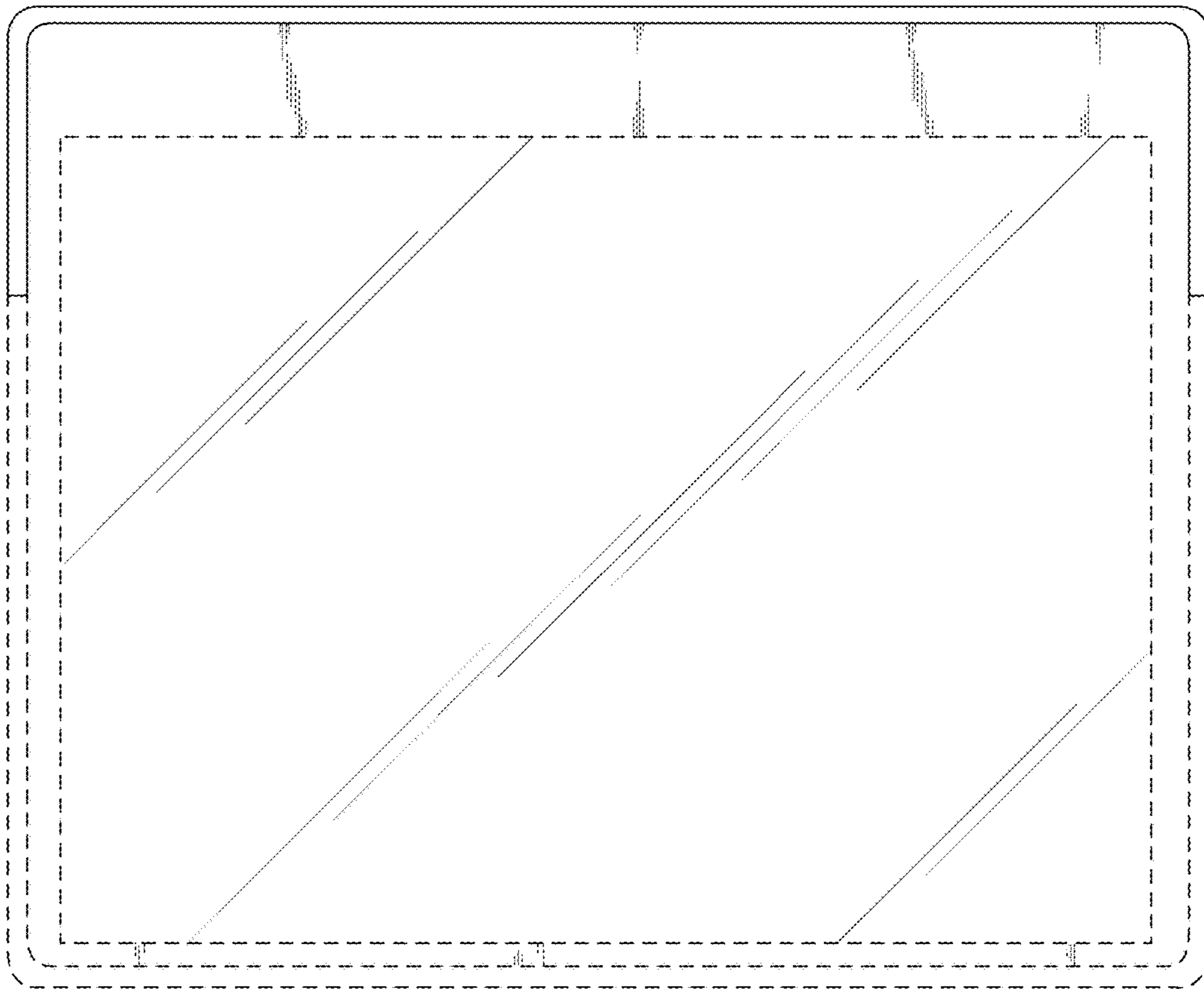


FIG. 3



FIG. 4

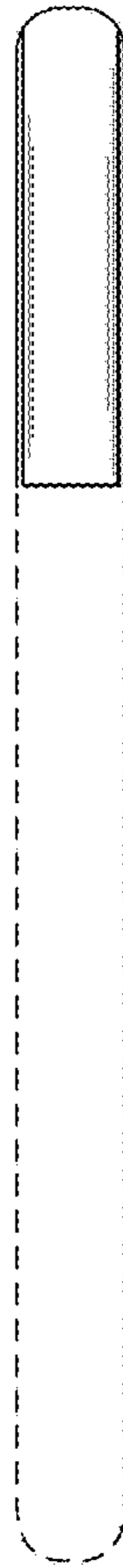


FIG. 5



FIG. 6



FIG. 7