



US00D824905S

(12) **United States Design Patent**  
**Yamada et al.**

(10) **Patent No.:** **US D824,905 S**

(45) **Date of Patent:** **\*\* Aug. 7, 2018**

(54) **HEAD-MOUNTED DISPLAY**

(71) Applicant: **QD LASER, INC.**, Kawasaki-shi (JP)

(72) Inventors: **Takeshi Yamada**, Kawasaki (JP);  
**Shuichi Tojo**, Kawasaki (JP); **Manabu Nakamura**, Kawasaki (JP)

(73) Assignee: **QD LASER, INC.**, Kawasaki-shi (JP)

(\*\*) Term: **15 Years**

(21) Appl. No.: **29/604,024**

(22) Filed: **May 15, 2017**

(30) **Foreign Application Priority Data**

Dec. 7, 2016 (JP) ..... 2016-026581

(51) **LOC (11) Cl.** ..... **14-02**

(52) **U.S. Cl.**  
USPC ..... **D14/372**

(58) **Field of Classification Search**

USPC ..... D14/372, 496, 432, 371, 125, 126, 129,  
D14/299; D16/300-342; 351/158, 153,  
351/144; 345/7-9, 905; 455/344;  
348/115, 53, 121, 739  
CPC ..... G02B 27/017; G02B 27/0158; G02B  
27/0161; G02B 27/0181; G02B 27/0185;  
G02B 27/0189

See application file for complete search history.

(56) **References Cited**

**U.S. PATENT DOCUMENTS**

D731,484 S \* 6/2015 Olsson ..... D14/372  
D735,716 S \* 8/2015 Lee ..... D14/372

D765,076 S \* 8/2016 Rochat ..... D14/372  
D769,873 S \* 10/2016 Cazalet ..... D14/372  
D791,124 S \* 7/2017 Seki ..... D14/372  
D806,053 S \* 12/2017 Lee ..... D14/205  
D807,355 S \* 1/2018 Tabata ..... D14/372  
D811,394 S \* 2/2018 Tabata ..... D14/372  
2009/0161062 A1 6/2009 Kawanishi  
2009/0201460 A1\* 8/2009 Blum ..... G02C 5/143  
351/158  
2010/0245757 A1\* 9/2010 Sugihara ..... G02B 27/0172  
351/158  
2014/0231474 A1 8/2014 Sugihara

\* cited by examiner

*Primary Examiner* — Austin Murphy

(74) *Attorney, Agent, or Firm* — Kratz, Quintos & Hanson, LLP

(57) **CLAIM**

The ornamental design for a head mounted display, as shown and described.

**DESCRIPTION**

FIG. 1 is a perspective view of a head-mounted display showing our new design;  
FIG. 2 is a front view thereof;  
FIG. 3 is a rear view thereof;  
FIG. 4 is a top plan view thereof;  
FIG. 5 is a bottom view thereof;  
FIG. 6 is a right side view thereof; and,  
FIG. 7 is a left side view thereof.

The broken lines are for illustrative purpose only and form no part the claimed design.

**1 Claim, 7 Drawing Sheets**

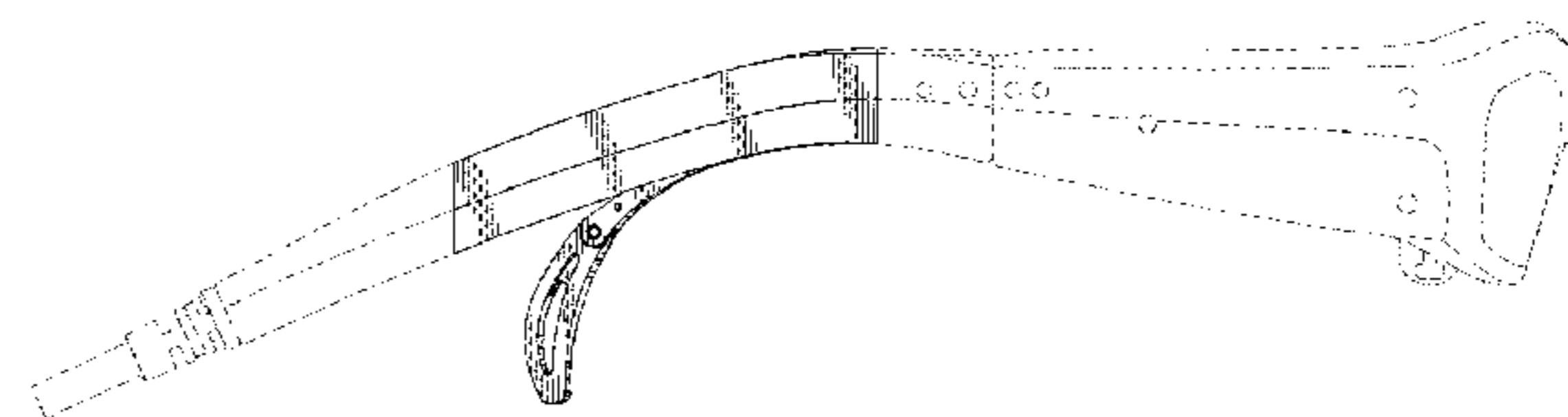
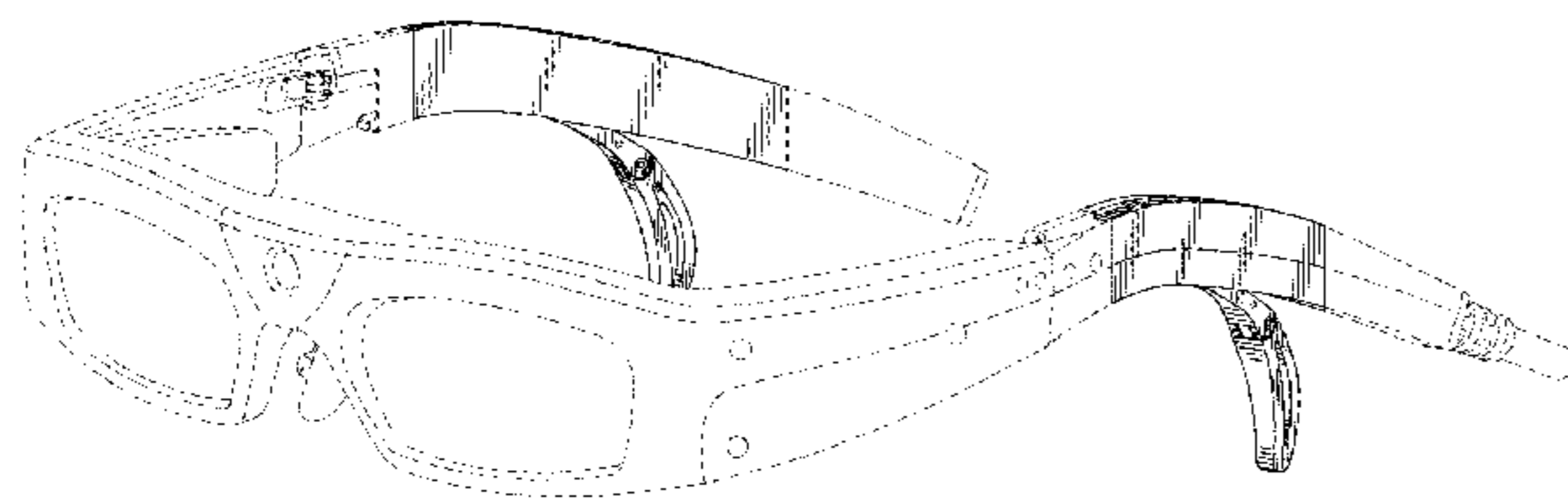


FIG. 1

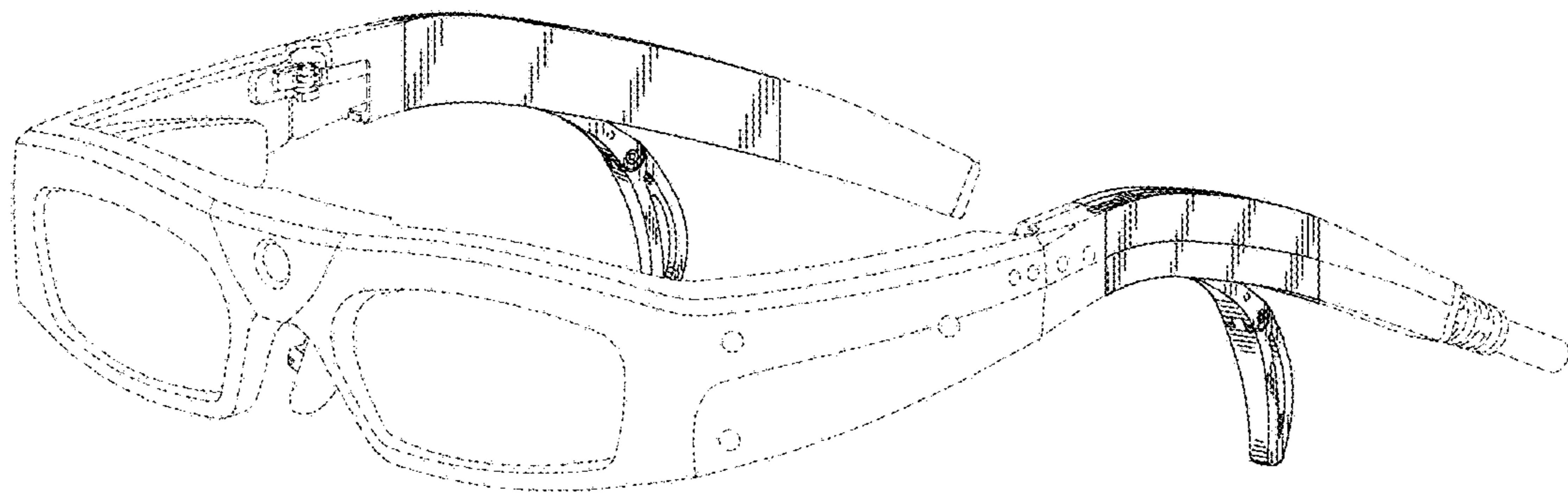


FIG. 2

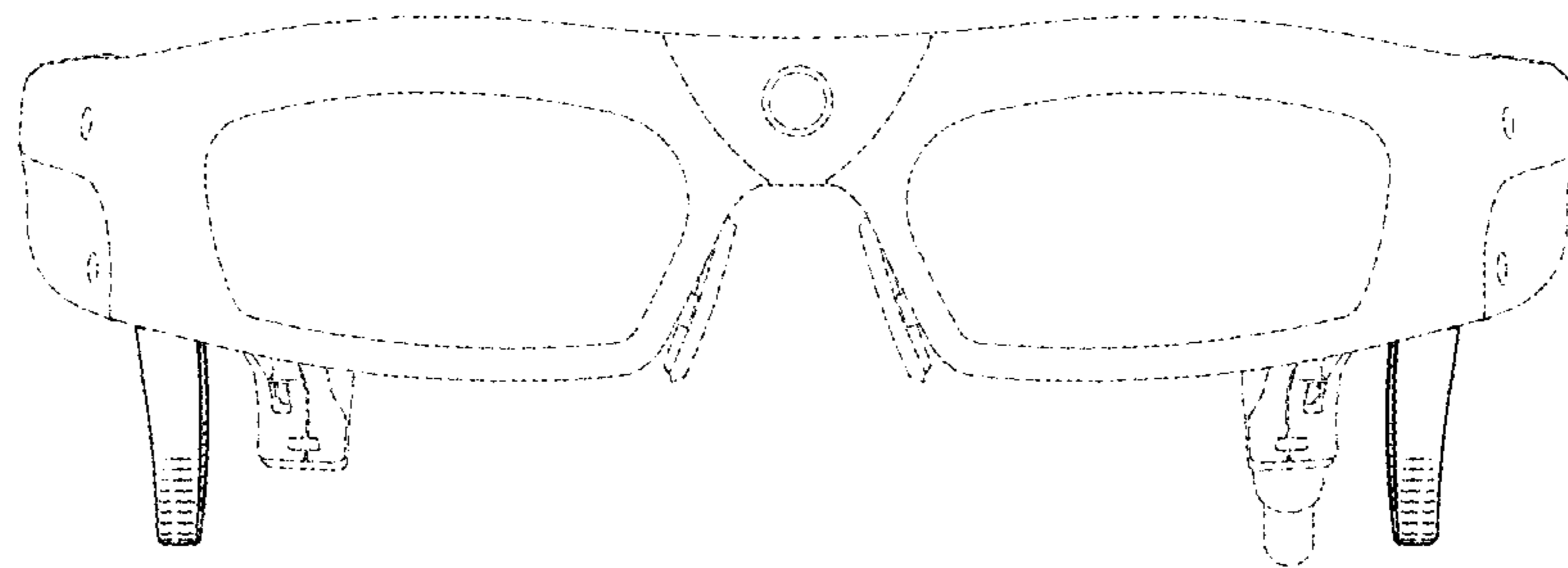


FIG. 3

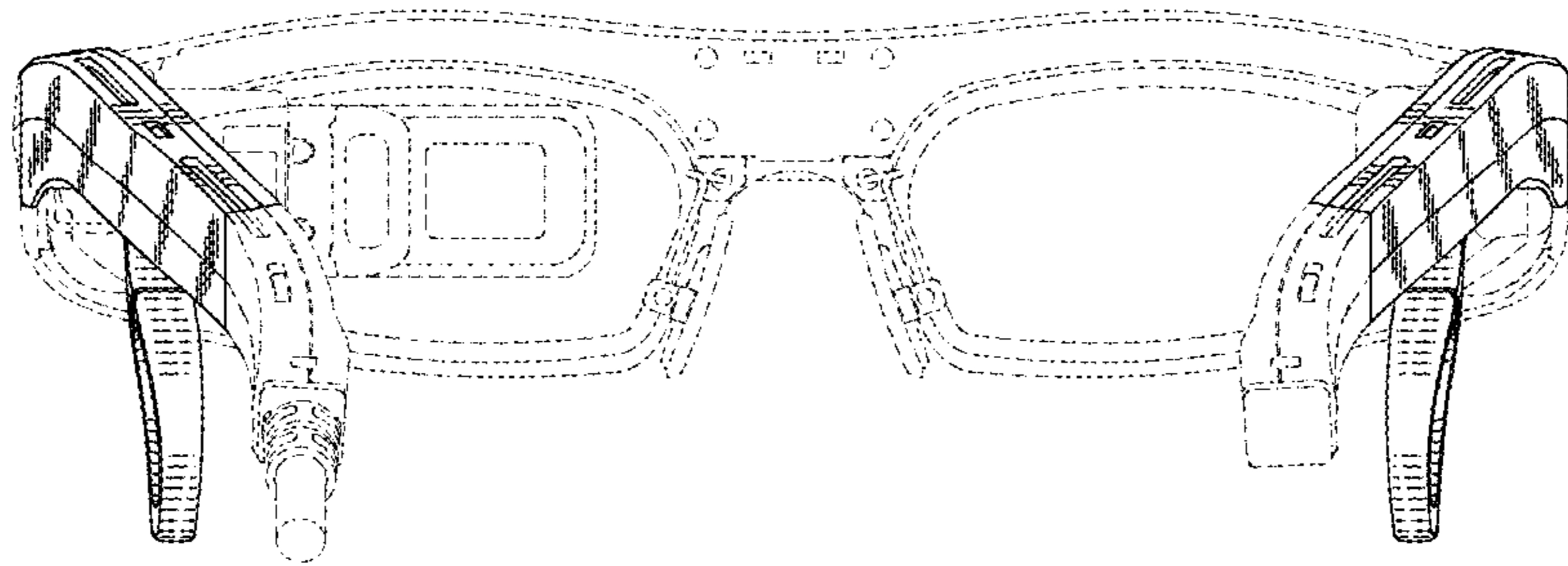


FIG. 4



FIG. 5

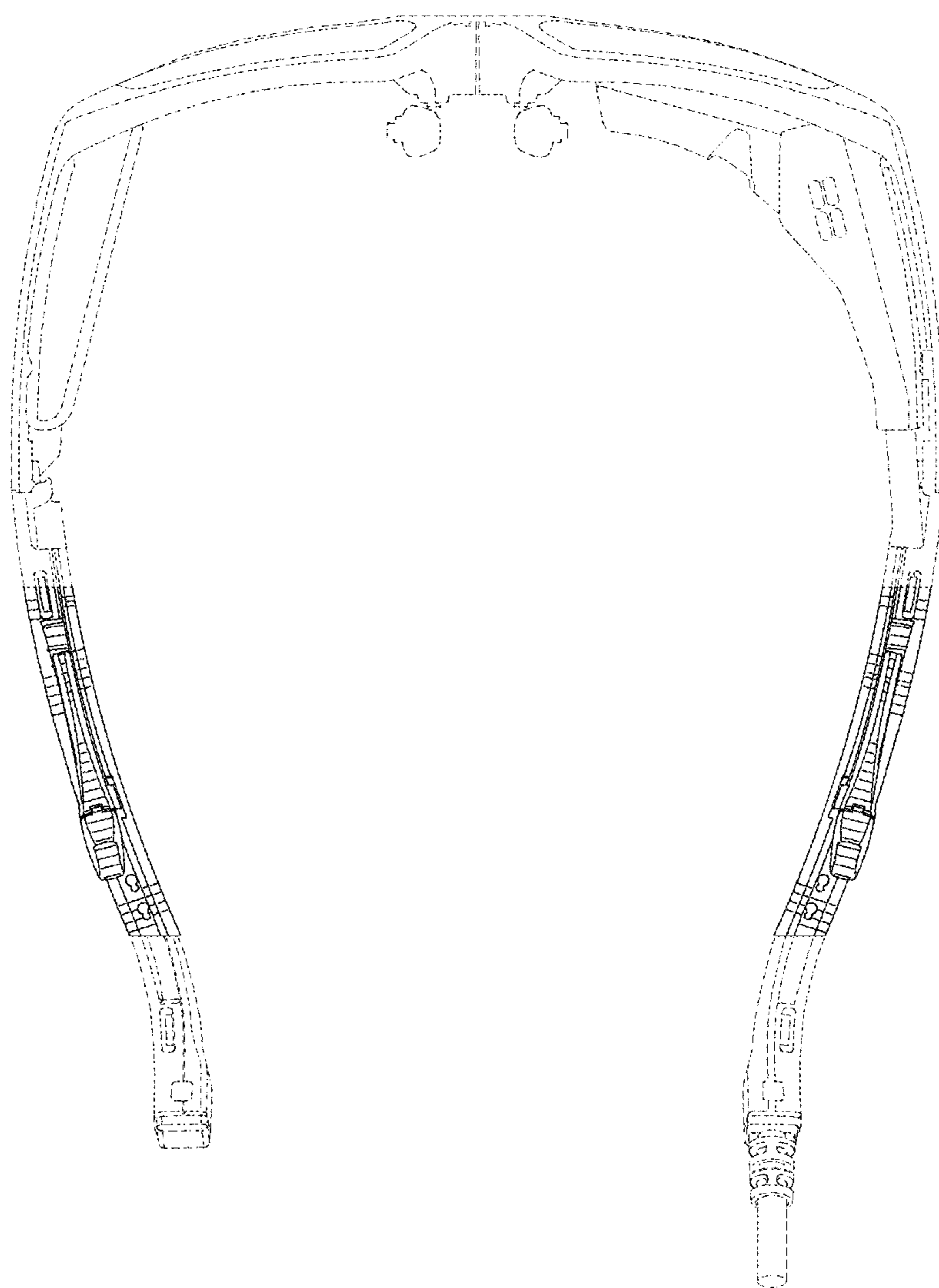


FIG. 6

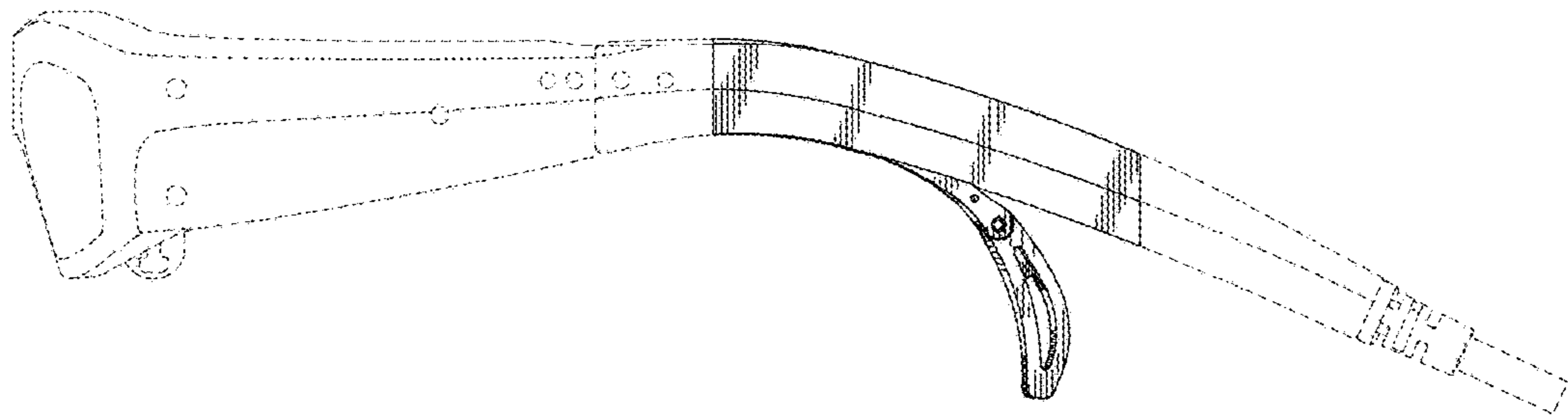


FIG. 7

