



US00D824904S

(12) **United States Design Patent**
Hitch

(10) **Patent No.:** **US D824,904 S**

(45) **Date of Patent:** **** Aug. 7, 2018**

(54) **MOUTH GUARD AND DISPLAY FOR A HEADSET**

(71) Applicant: **Adam W. Hitch**, Louisville, KY (US)

(72) Inventor: **Adam W. Hitch**, Louisville, KY (US)

(**) Term: **15 Years**

(21) Appl. No.: **29/585,364**

(22) Filed: **Nov. 23, 2016**

(51) **LOC (11) Cl.** **14-02**

(52) **U.S. Cl.**
USPC **D14/372**

(58) **Field of Classification Search**

USPC D14/372, 496, 432, 371, 125, 126, 129,
D14/299; D16/300–342; 351/158, 153,
351/144; 345/7–9, 905; 455/344;
348/115, 53, 121, 739
CPC G02B 27/017; G02B 27/0158; G02B
27/0161; G02B 27/0181; G02B 27/0185;
G02B 27/0189

See application file for complete search history.

(56) **References Cited**

U.S. PATENT DOCUMENTS

D369,595 S * 5/1996 Kober D14/372
D440,967 S * 4/2001 Jung D14/372
D687,434 S * 8/2013 Serota D14/372
D722,054 S * 2/2015 Serota D14/372

(Continued)

OTHER PUBLICATIONS

“Bose NFL Headset” image, <https://globalpressroom.bose.com/assets/thumbnail/10547/110x86/true> (downloaded Feb. 24, 2017).

(Continued)

Primary Examiner — Austin Murphy

(74) *Attorney, Agent, or Firm* — Stites & Harbison, PLLC; David W. Nagle, Jr.

(57) **CLAIM**

The ornamental design for a mouth guard and display for a headset, as shown and described.

DESCRIPTION

FIG. 1 is a perspective view of a mouth guard and display for a headset incorporating the design of the present invention;

FIG. 2 is a front view of the mouth guard and display of FIG. 1;

FIG. 3 is a rear view of the mouth guard and display of FIG. 1;

FIG. 4 is a left side view of the mouth guard and display of FIG. 1;

FIG. 5 is a right side view of the mouth guard and display of FIG. 1;

FIG. 6 is a top view of the mouth guard and display of FIG. 1;

FIG. 7 is a bottom view of the mouth guard and display of FIG. 1;

FIG. 8 is a perspective view of an alternate mouth guard and display for a headset incorporating the design of the present invention;

FIG. 9 is a front view of the mouth guard and display of FIG. 8;

FIG. 10 is a rear view of the mouth guard and display of FIG. 8;

FIG. 11 is a left side view of the mouth guard and display of FIG. 8;

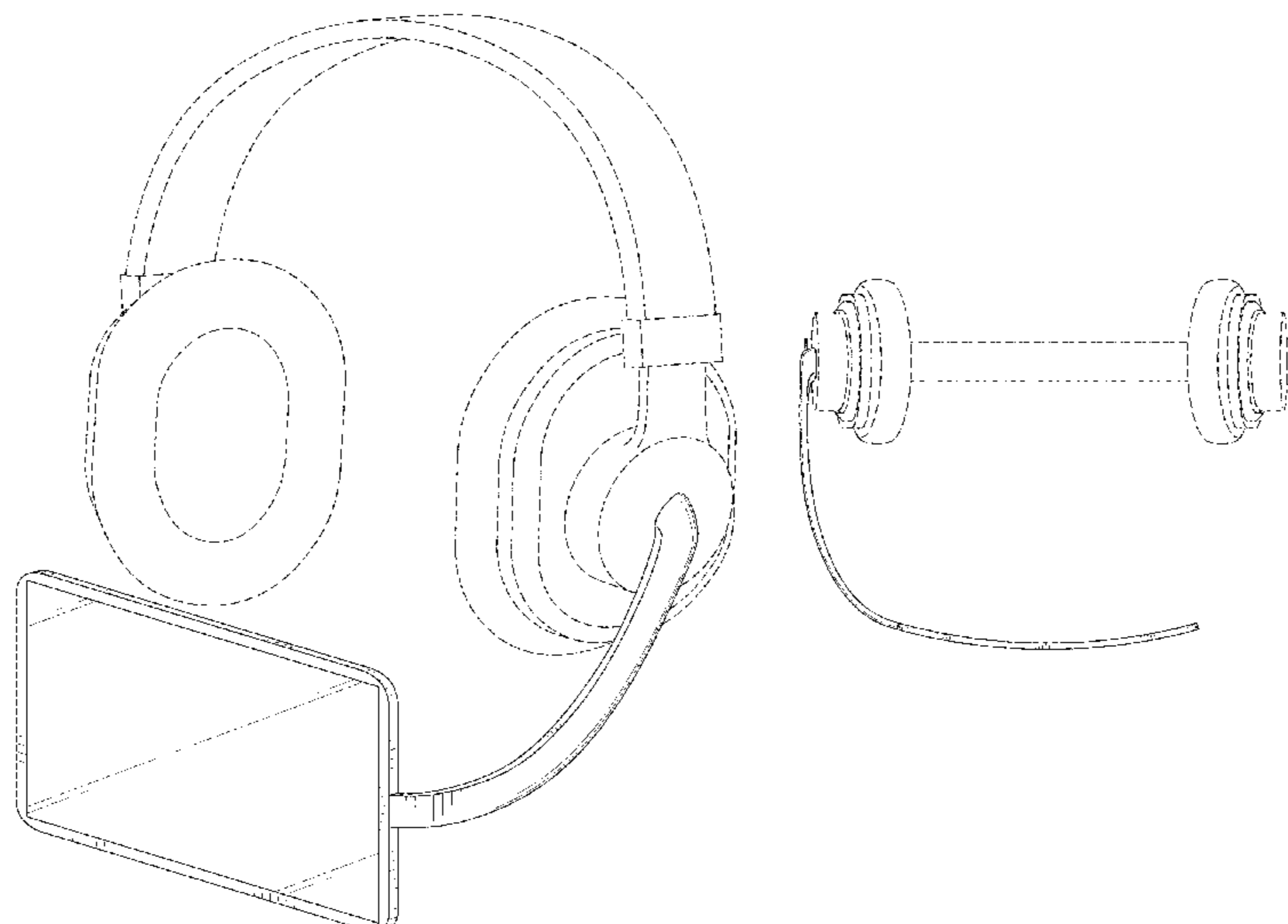
FIG. 12 is a right side view of the mouth guard and display of FIG. 8;

FIG. 13 is a top view of the mouth guard and display of FIG. 8; and,

FIG. 14 is a bottom view of the mouth guard and display of FIG. 8.

The broken lines shown in the drawings are for illustrative purposes only and form no part of the claimed design.

1 Claim, 8 Drawing Sheets



(56)

References Cited

U.S. PATENT DOCUMENTS

D741,326 S * 10/2015 Bosveld D14/372
D752,680 S * 3/2016 Kim D14/372
D758,367 S * 6/2016 Natsume D14/372
D764,465 S * 8/2016 Clement D14/372
D765,074 S * 8/2016 Katopis D14/372
D766,896 S * 9/2016 Li D14/372
D805,514 S * 12/2017 Clement D14/372
D806,074 S * 12/2017 Kuwahara D14/372
2013/0237146 A1 * 9/2013 Serota G02B 27/017
455/12.1

OTHER PUBLICATIONS

Google Search Results for “football coaching headsets,” <https://www.google.com/search?q=football+coaching+headsets> (downloaded Feb. 24, 2017).

* cited by examiner

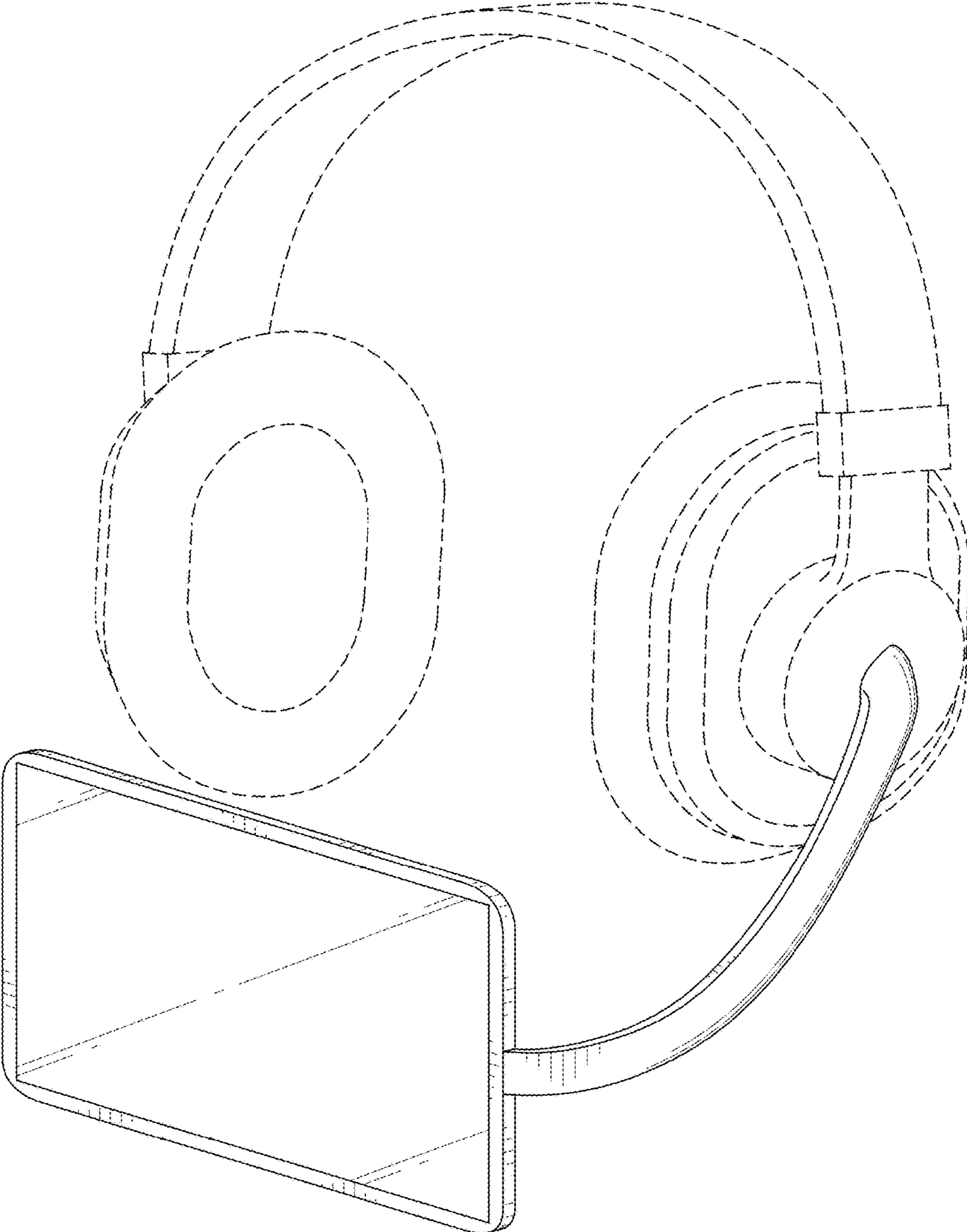


FIG. 1

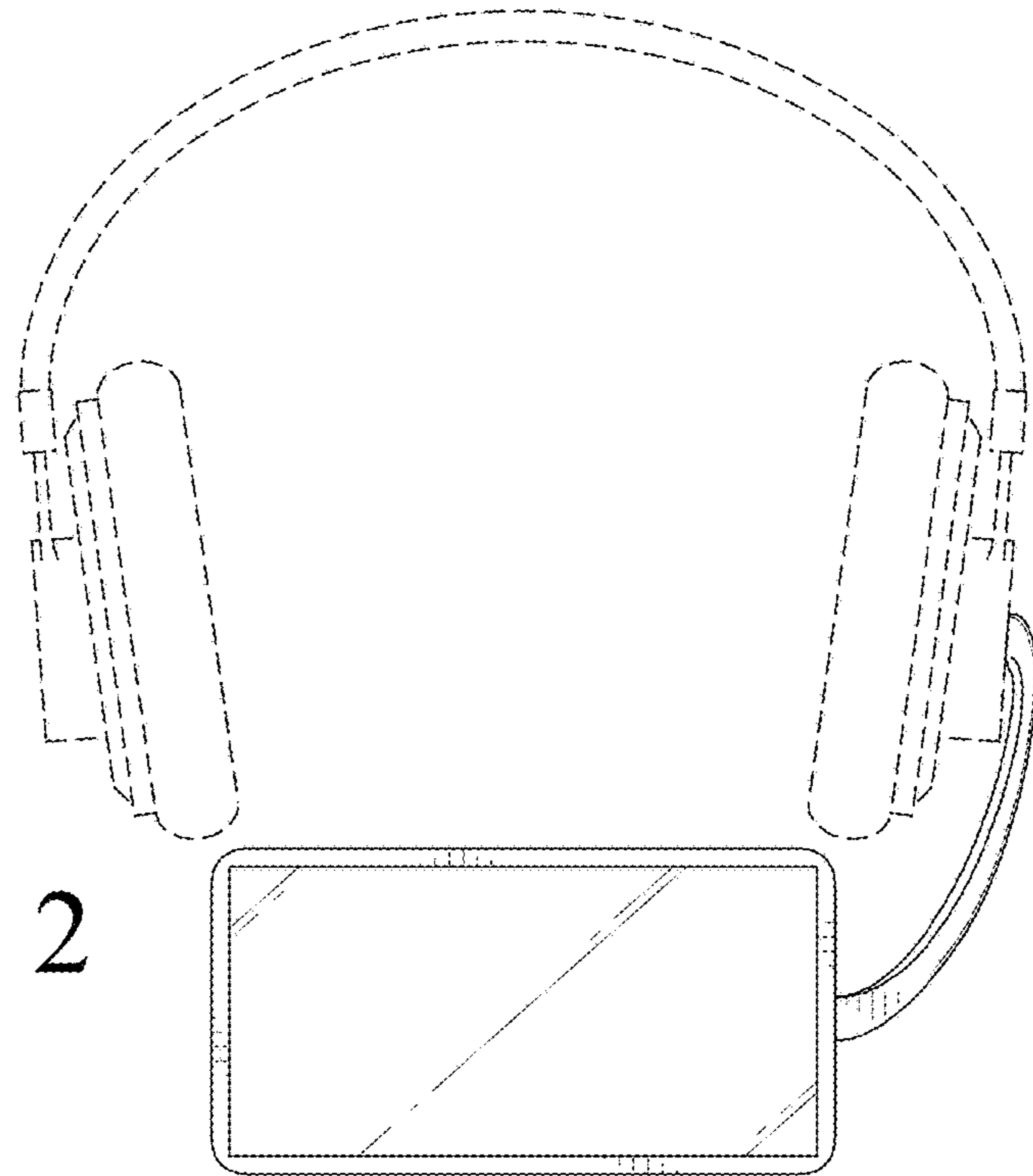


FIG. 2

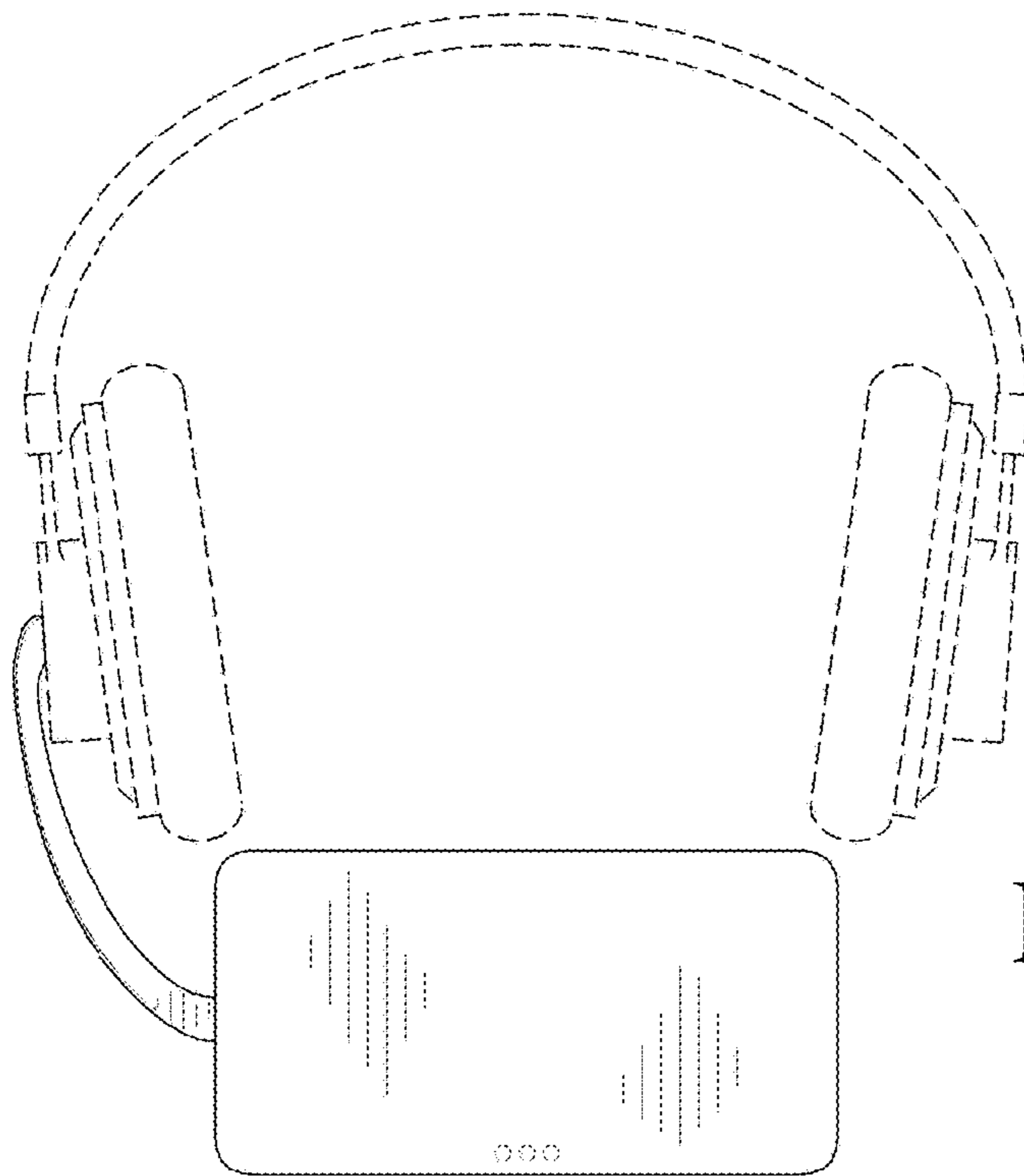
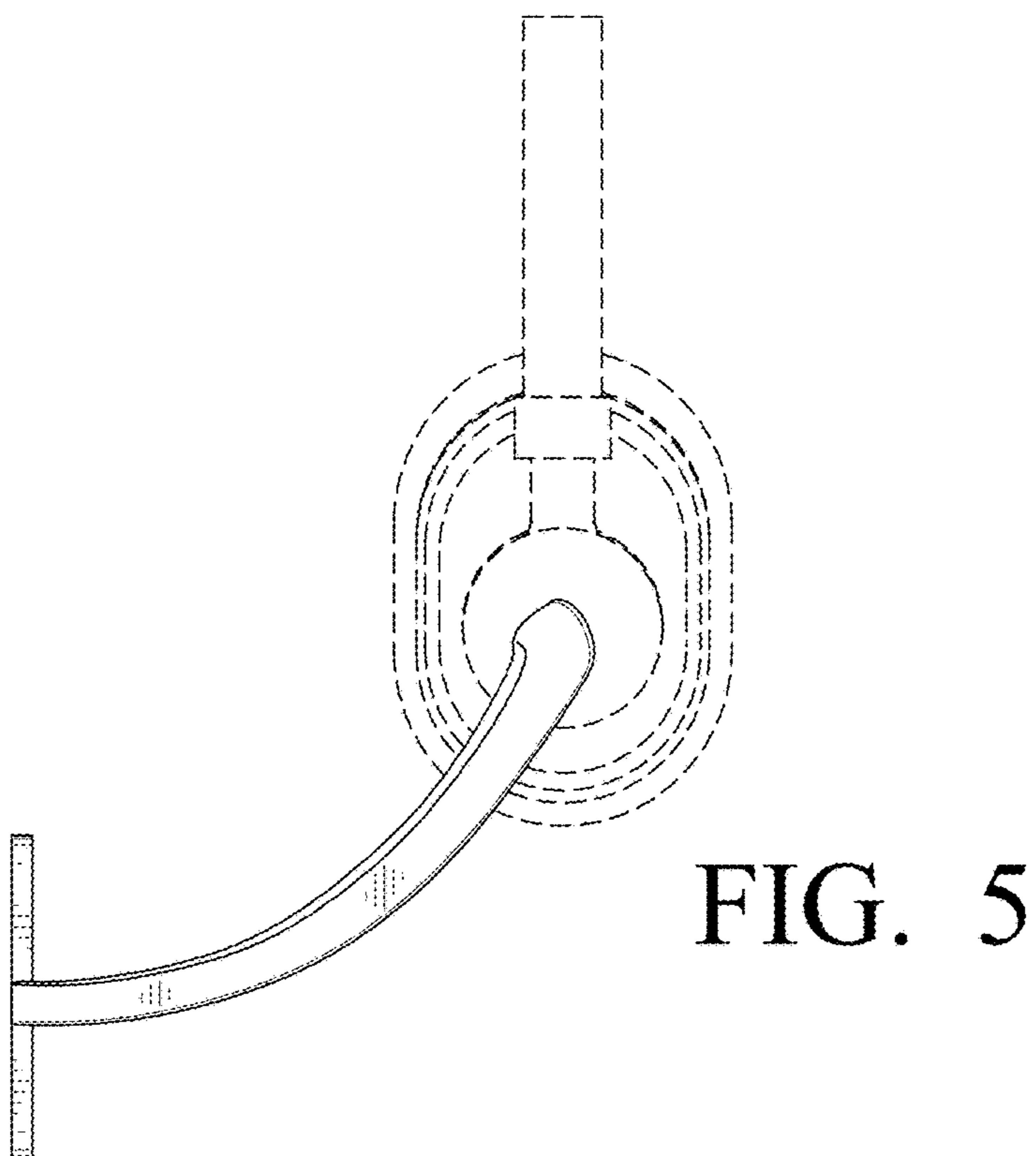
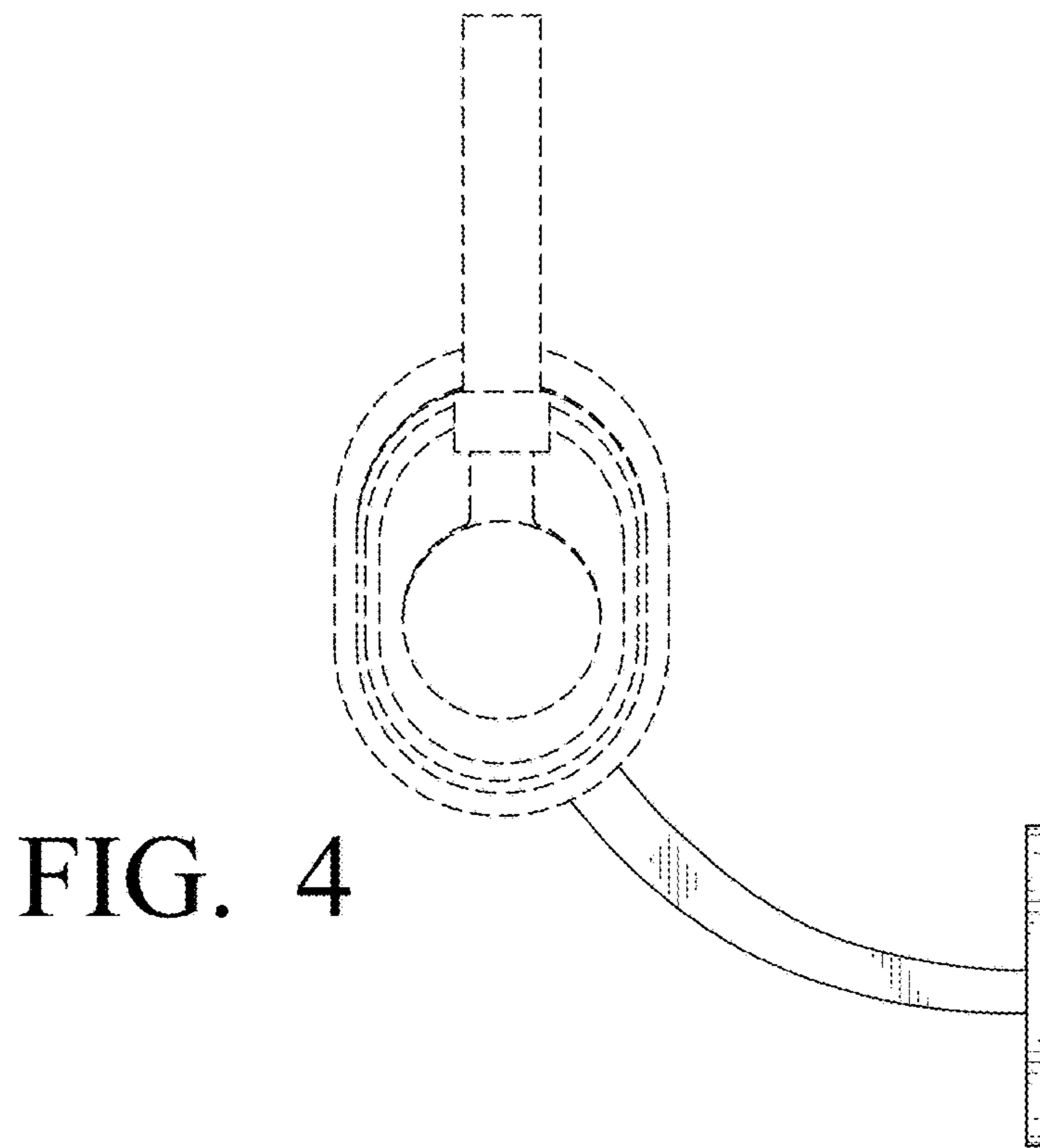


FIG. 3



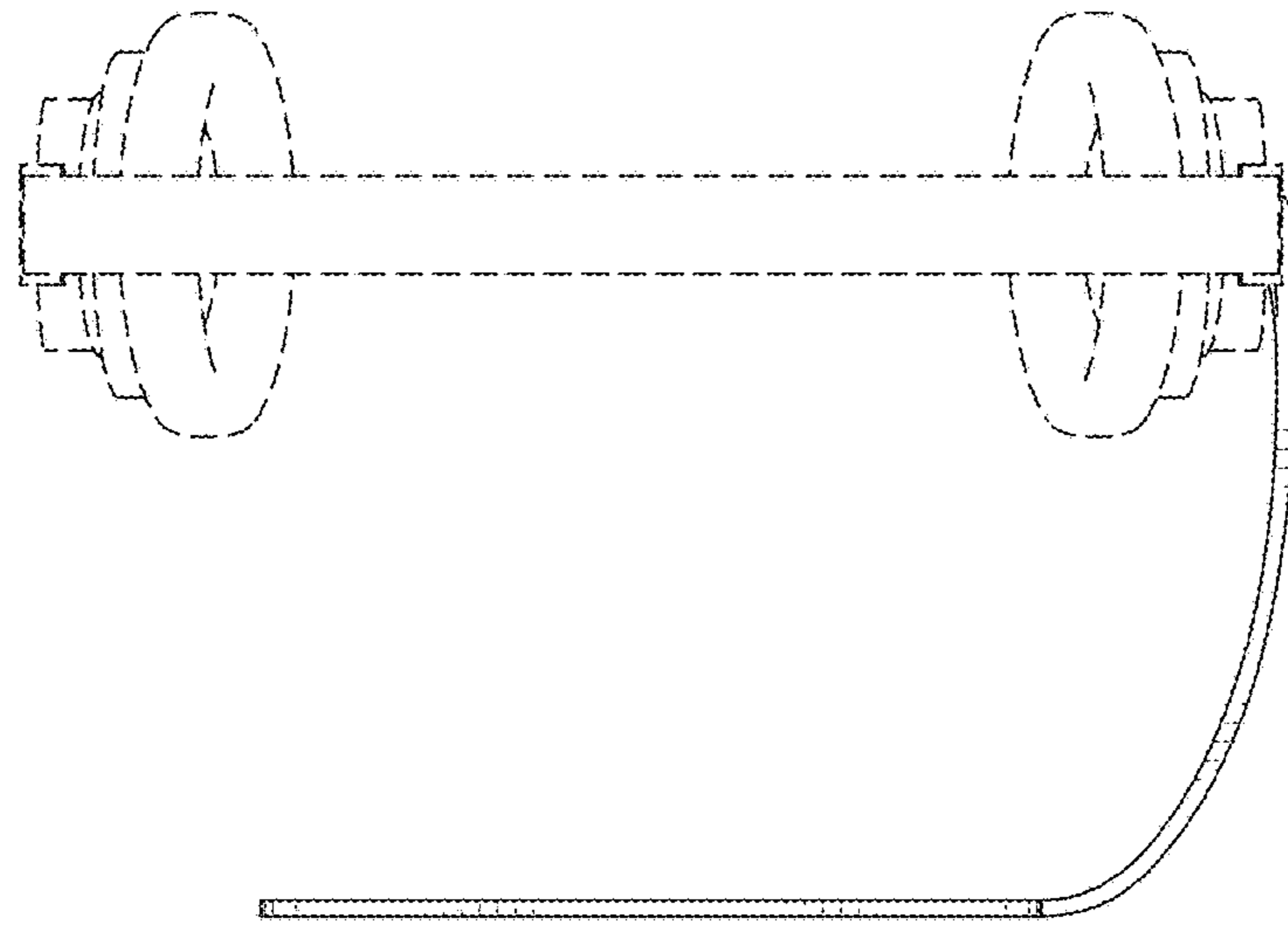


FIG. 6

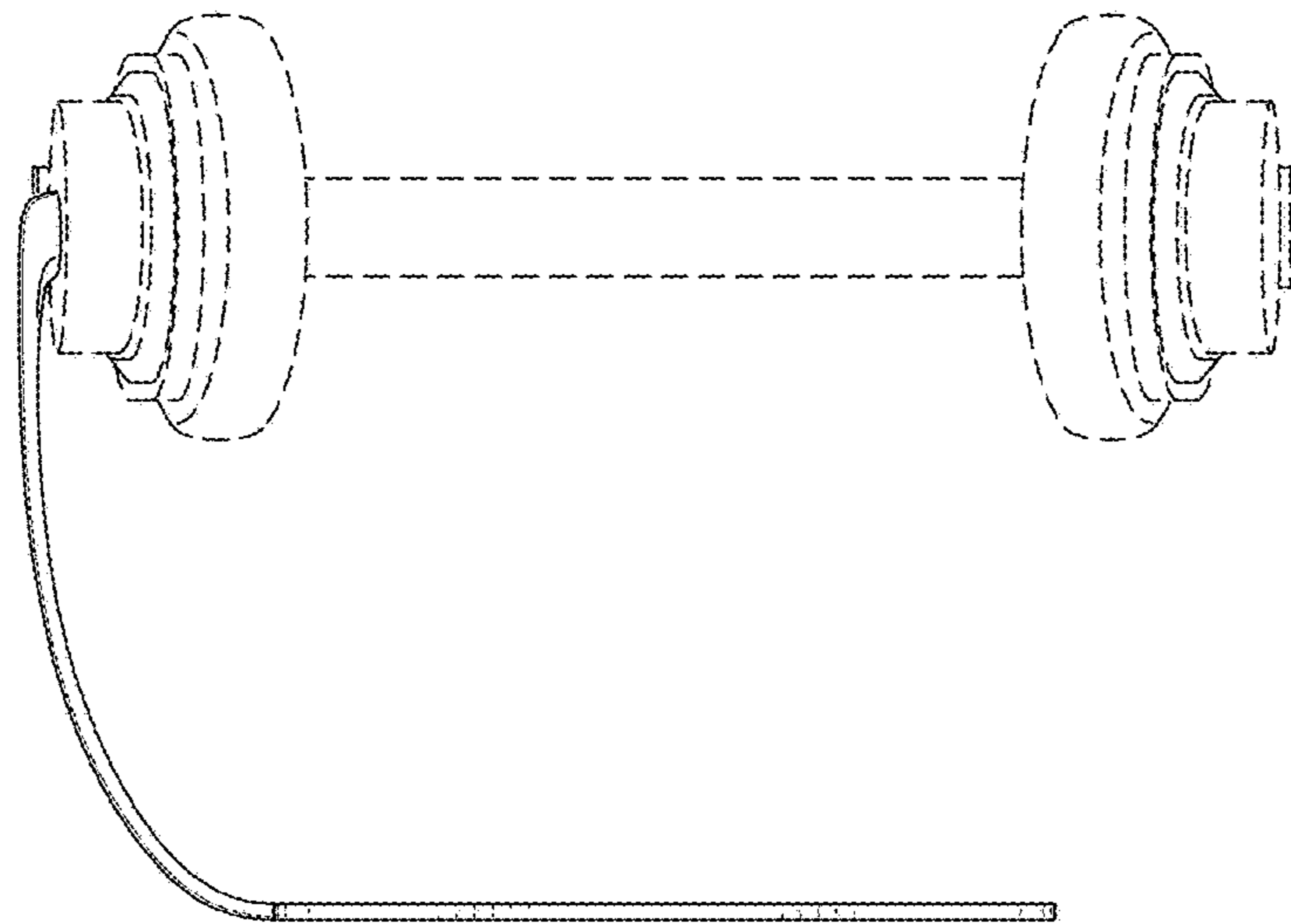


FIG. 7

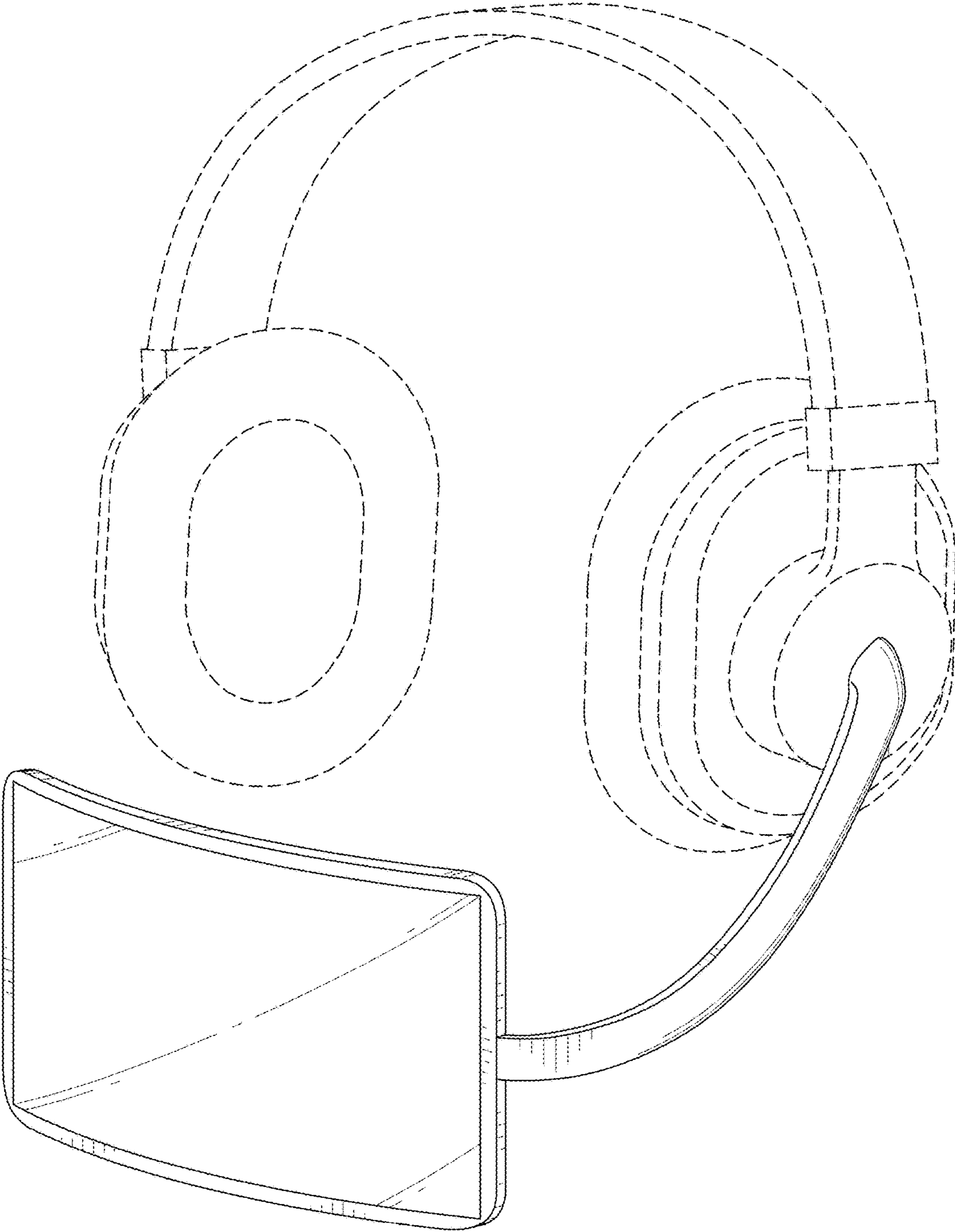


FIG. 8

FIG. 9

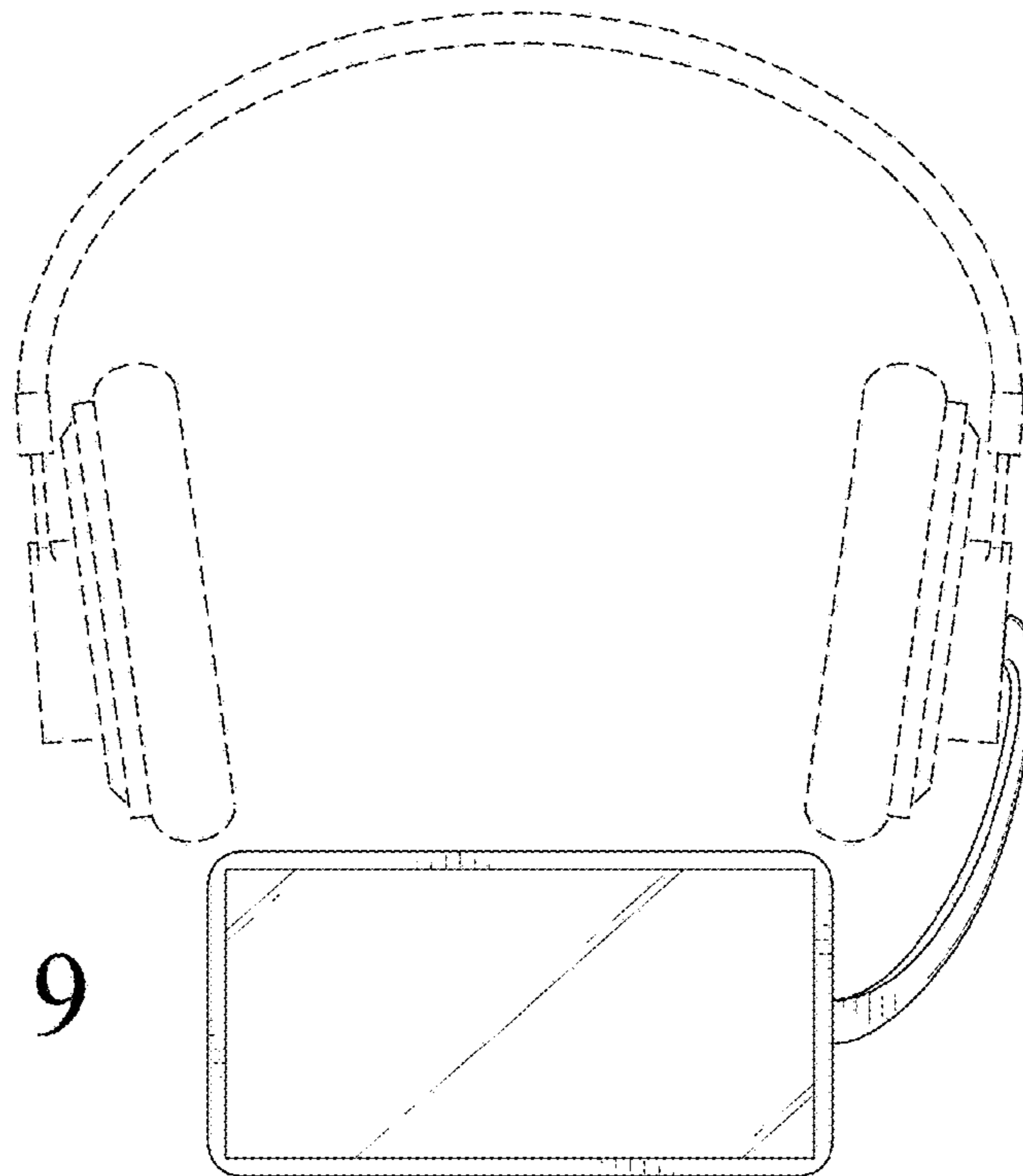


FIG. 10

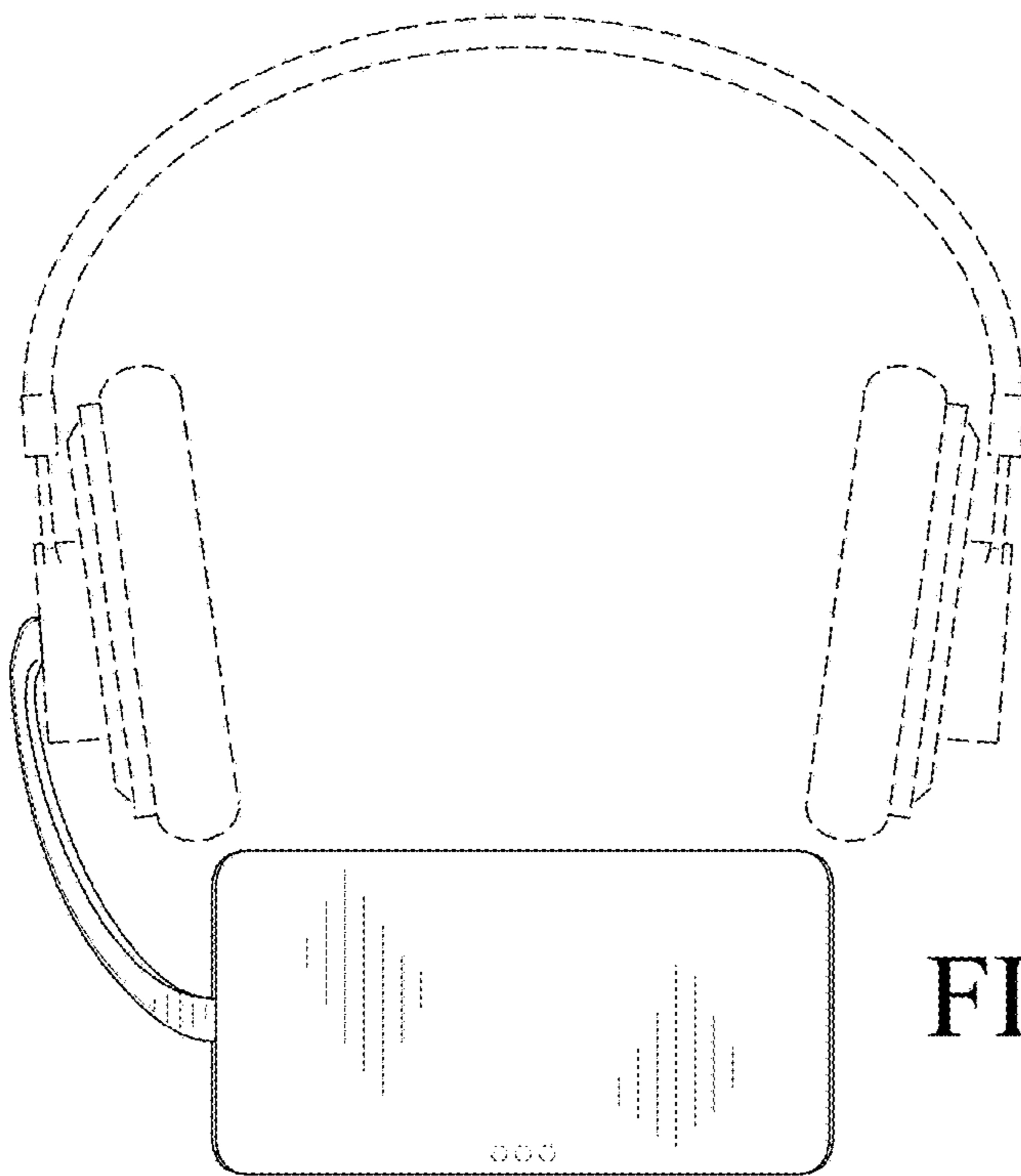


FIG. 11

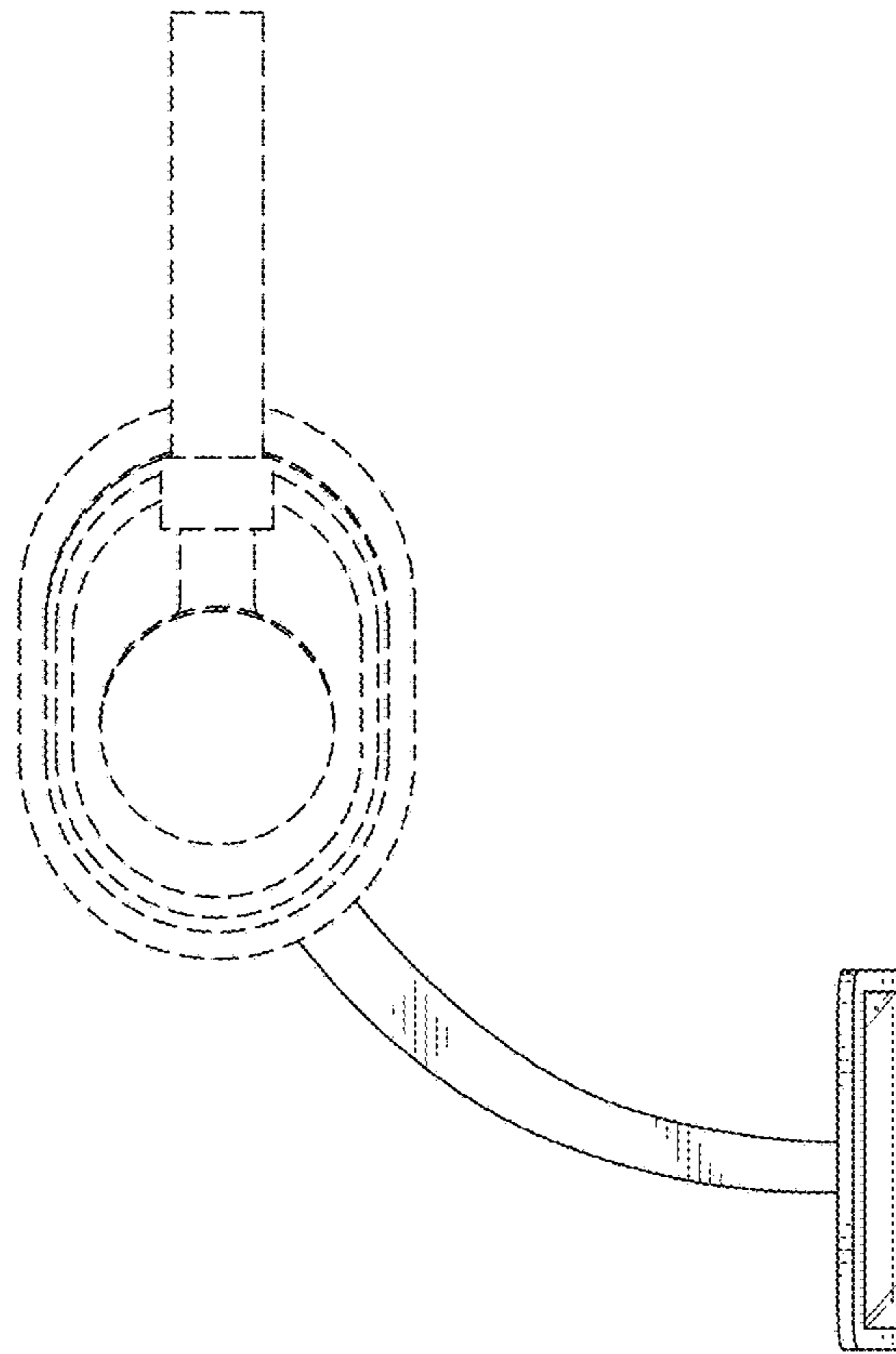
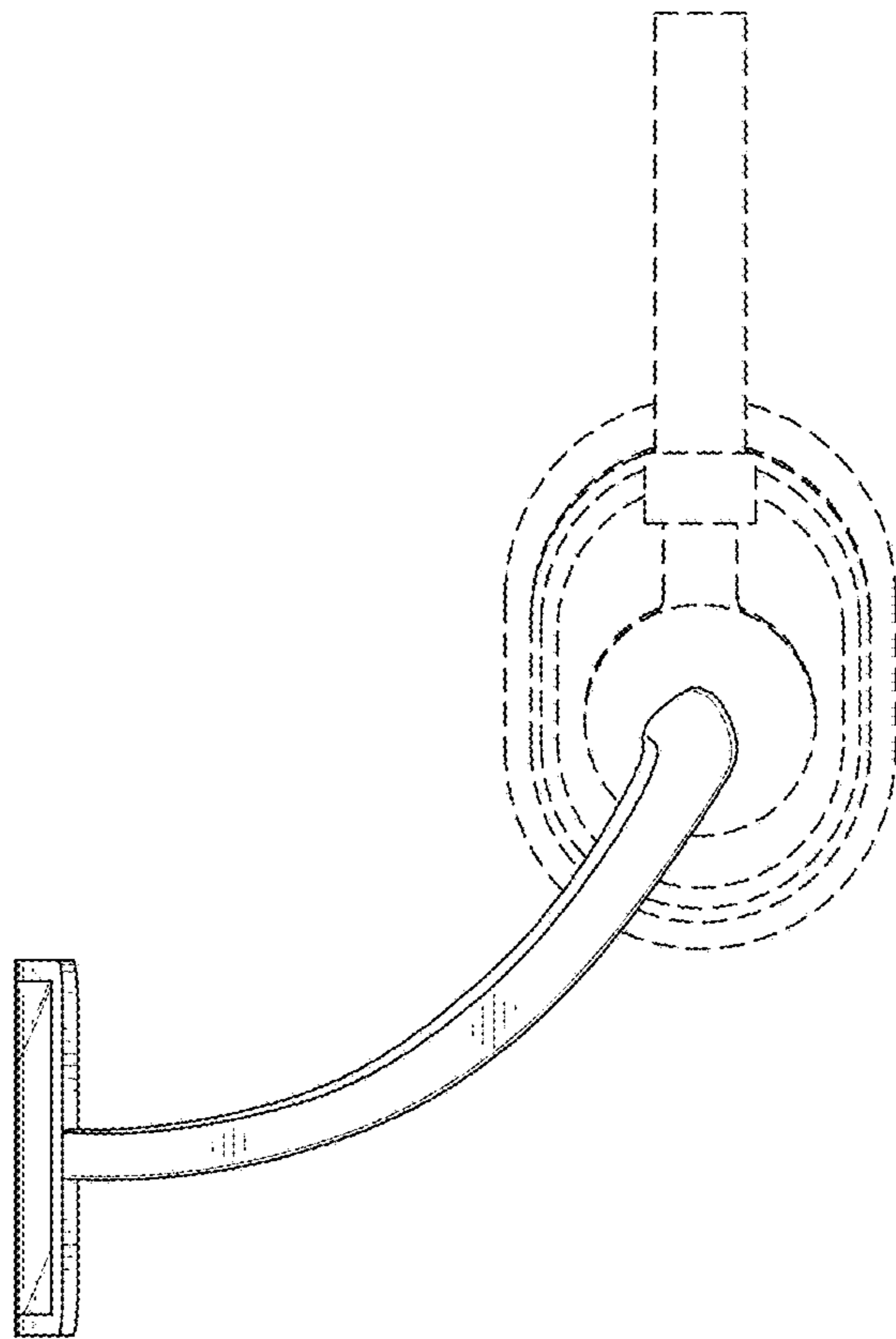


FIG. 12



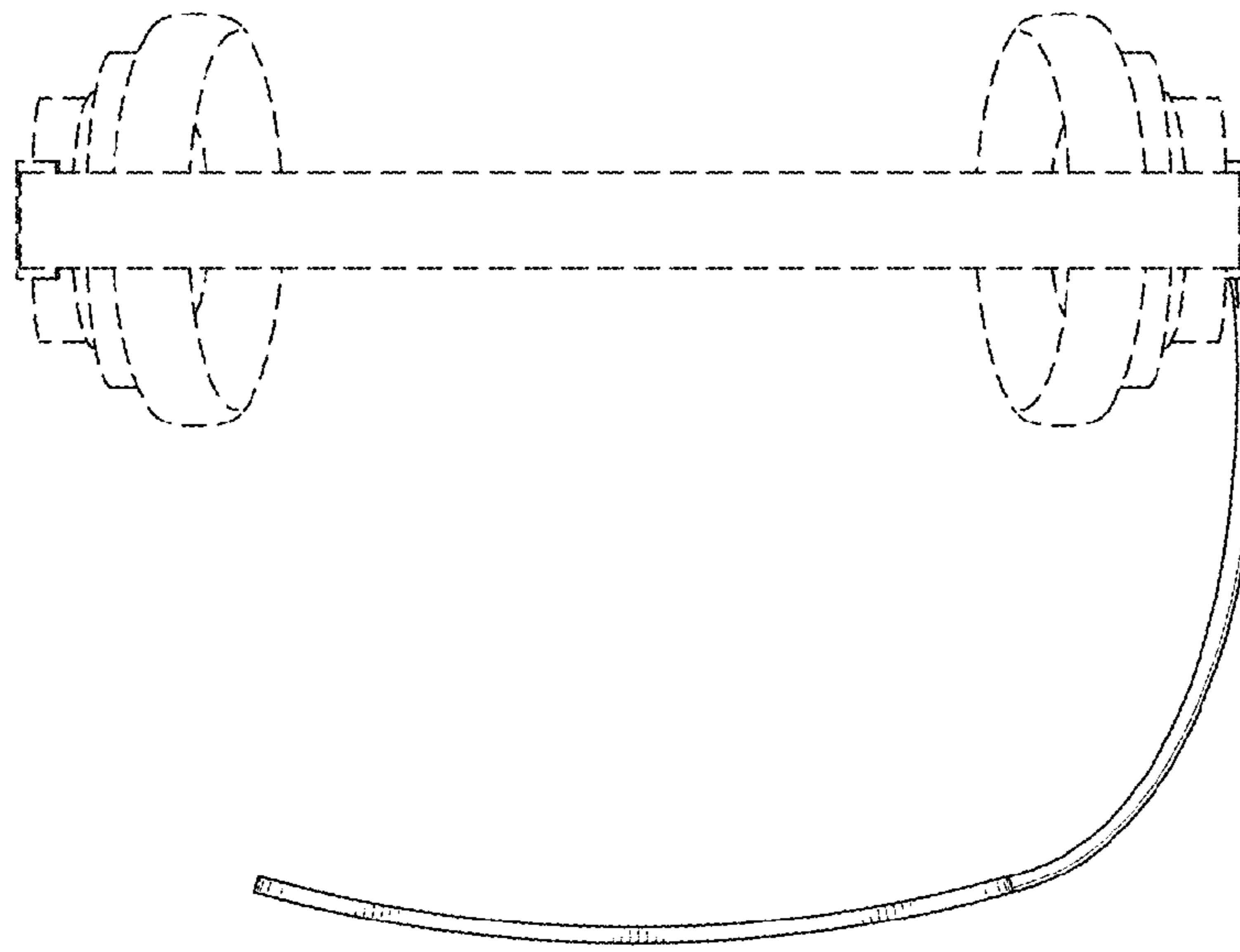


FIG. 13

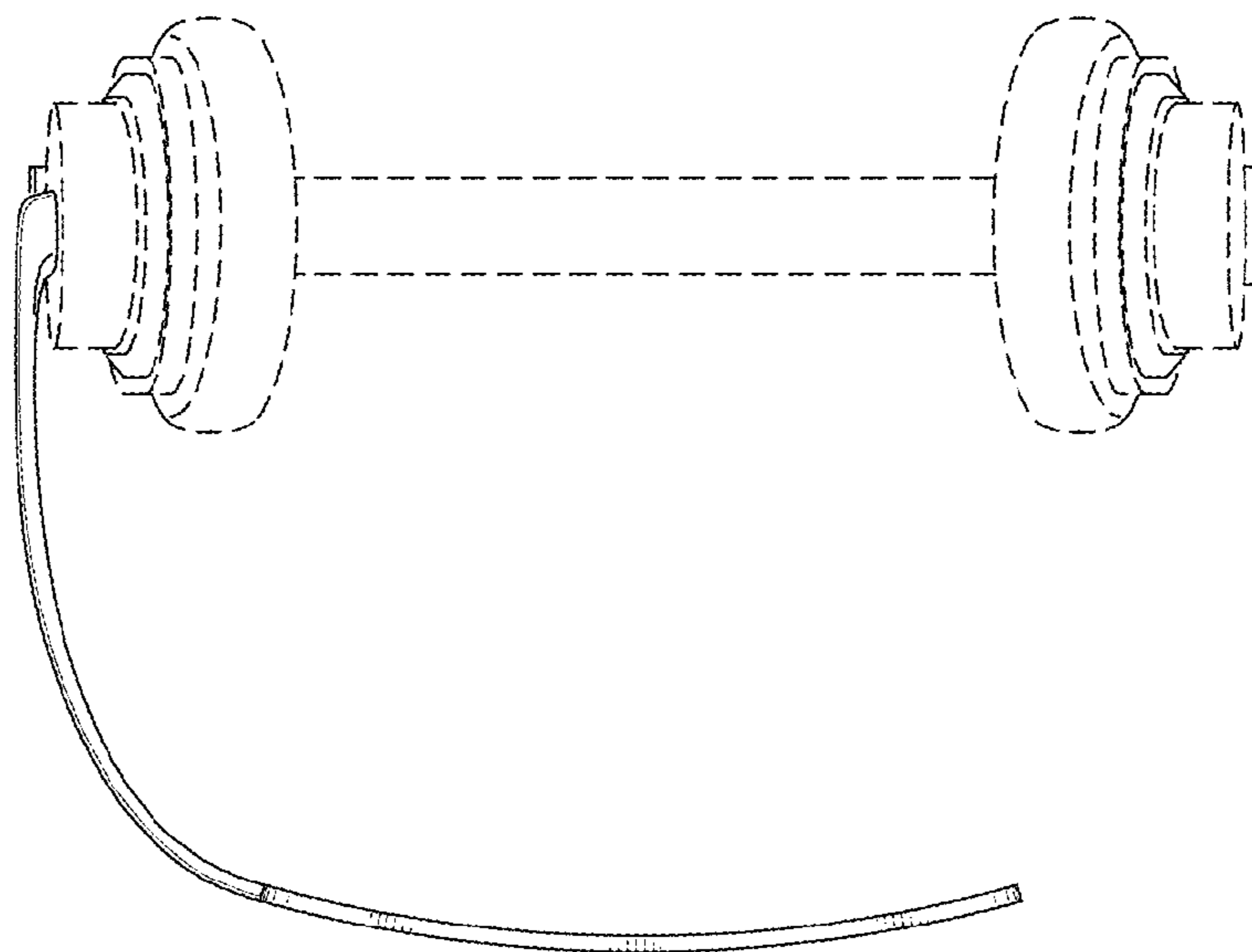


FIG. 14