



US00D824903S

(12) **United States Design Patent** (10) **Patent No.:** **US D824,903 S**  
**Lo** (45) **Date of Patent:** **\*\* Aug. 7, 2018**

(54) **REFLECTIVE SURROUND DISPLAY SYSTEM**  
(71) Applicant: **Solved By Technology Co., Limited,**  
Hong Kong (CN)  
(72) Inventor: **Chun Pong Lo,** Hong Kong (CN)  
(\*\*) Term: **15 Years**  
(21) Appl. No.: **29/611,399**  
(22) Filed: **Jul. 21, 2017**  
(51) **LOC (11) Cl.** ..... **14-02**  
(52) **U.S. Cl.**  
USPC ..... **D14/371**  
(58) **Field of Classification Search**  
USPC ..... D14/371-375, 125-129, 336, 337;  
D6/300, 308; D19/113, 114; D20/10  
CPC ..... G09F 15/0025; G09F 15/0062; G09F  
15/0068; G06F 1/16; G06F 1/1613; G06F  
1/133308; G06F 1/1601; G06F 3/037;  
G06F 1/162; G06F 1/1615; F16M 11/02;  
F16M 11/10; F16M 11/00; F16M 11/06;  
F16M 11/18; F16M 11/045; F16M  
11/105; F16M 11/041; F16M 11/126;  
F16M 11/04; F16M 11/24; F16M 13/02;  
A47F 5/00; G01J 3/51; G02F 1/13452;  
G03B 21/32; B32B 17/064; H04N  
9/3147; H01L 51/0096; H05K 1/028  
See application file for complete search history.

(56) **References Cited**  
U.S. PATENT DOCUMENTS  
D452,559 S \* 12/2001 Schonberger ..... D23/406  
6,824,271 B2 \* 11/2004 Ishii ..... G01J 3/51  
348/383

D513,564 S \* 1/2006 Nobles ..... D6/332  
8,982,545 B2 \* 3/2015 Kim ..... B32B 17/064  
174/255  
9,137,504 B2 \* 9/2015 Gelb ..... H04N 9/3147  
D747,718 S \* 1/2016 Drabant ..... D14/371  
D785,374 S \* 5/2017 Holbrook ..... D6/643  
D791,513 S \* 7/2017 Holbrook ..... D6/643  
9,713,256 B2 \* 7/2017 Jeon ..... G02F 1/13452  
2006/0273304 A1 \* 12/2006 Cok ..... H01L 51/0096  
257/40  
2008/0002161 A1 \* 1/2008 Streid ..... G03B 21/32  
353/98  
2011/0227822 A1 \* 9/2011 Shai ..... G06F 1/1615  
345/156  
2015/0189768 A1 \* 7/2015 Kishida ..... H05K 1/028  
361/749

\* cited by examiner

*Primary Examiner* — Freda S Nunn  
(74) *Attorney, Agent, or Firm* — Wayne & Ken, LLC;  
Tony Hom

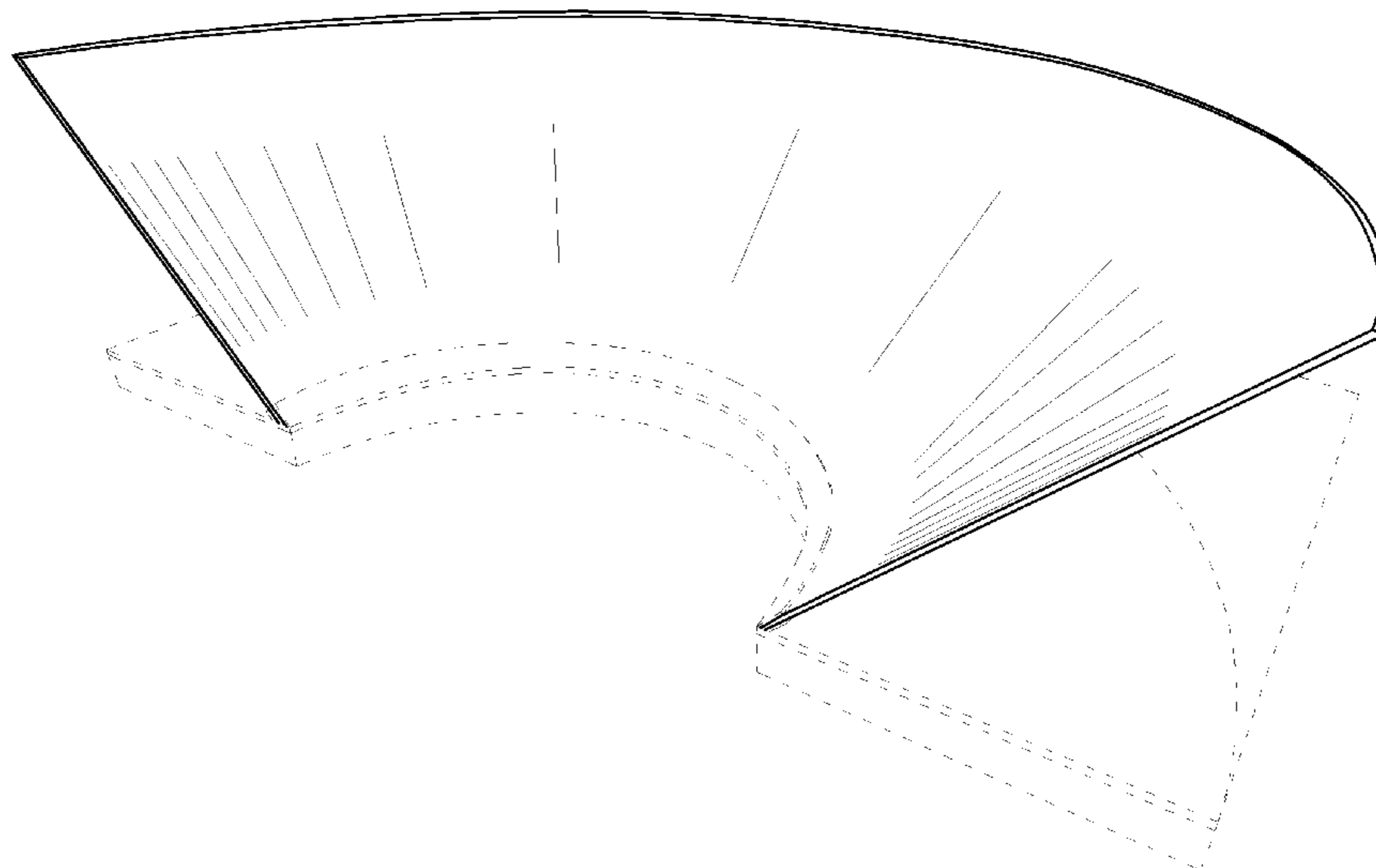
(57) **CLAIM**

The ornamental design for a reflective surround display system, as shown and described.

**DESCRIPTION**

FIG. 1 is a front perspective view of a reflective surround display system showing the new design;  
FIG. 2 is a front view thereof;  
FIG. 3 is back view thereof;  
FIG. 4 is a left view thereof;  
FIG. 5 is a right view thereof;  
FIG. 6 is a top plan view thereof;  
FIG. 7 is another perspective view thereof; and,  
FIG. 8 is another perspective view thereof.

**1 Claim, 8 Drawing Sheets**



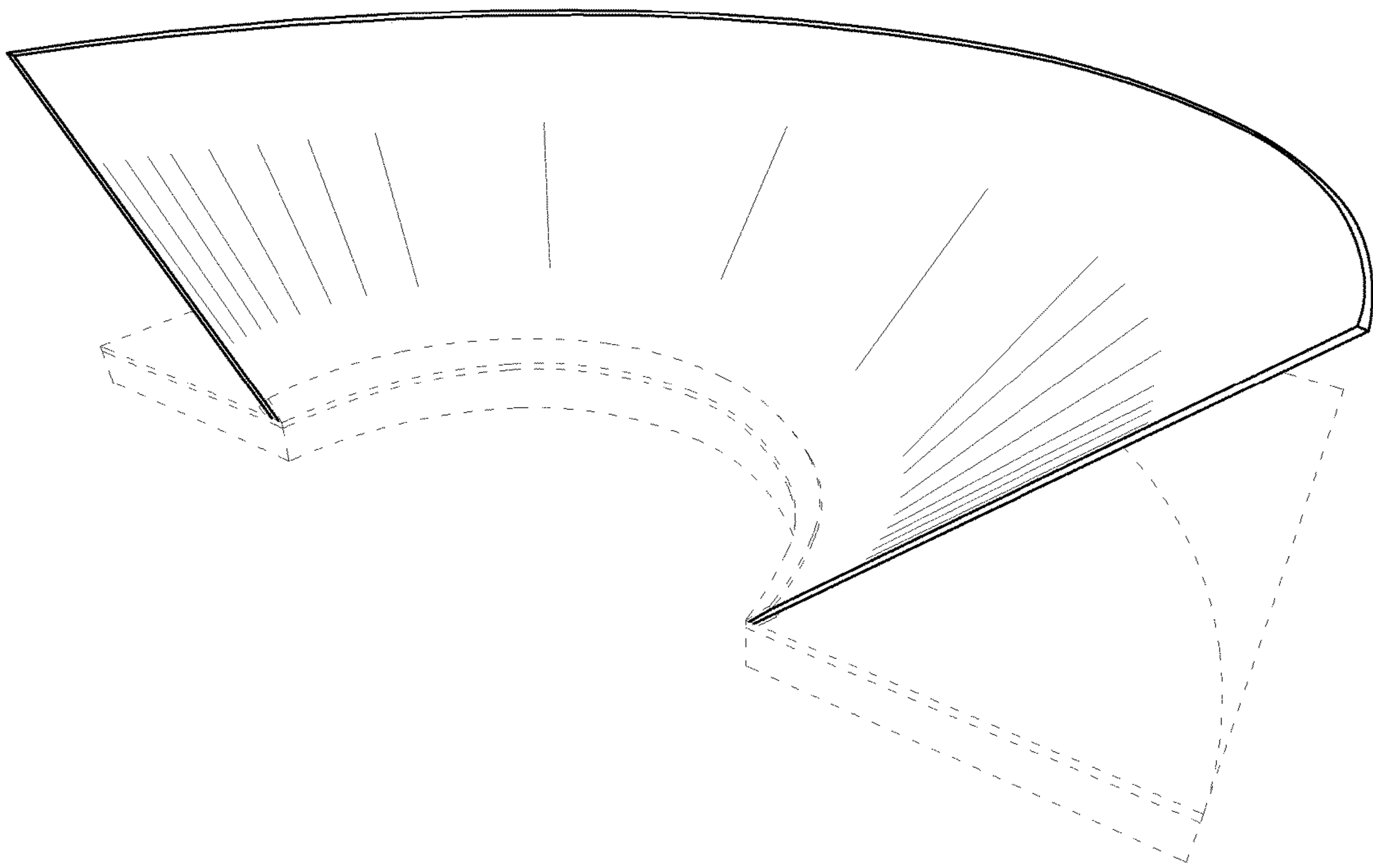


FIG. 1

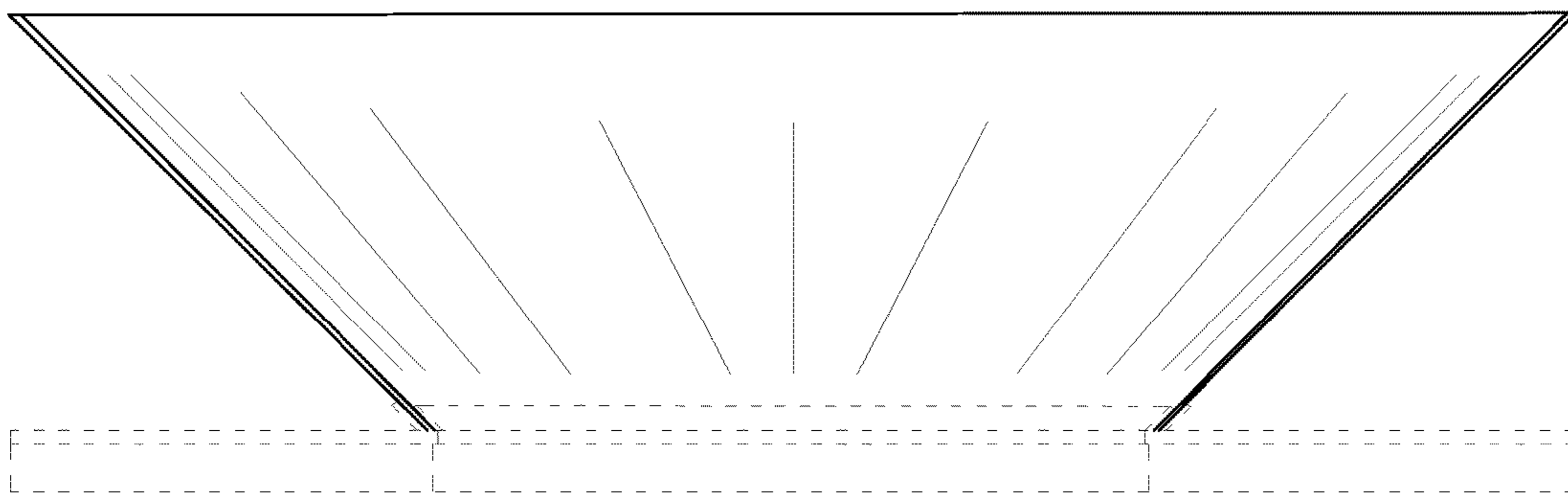


FIG. 2

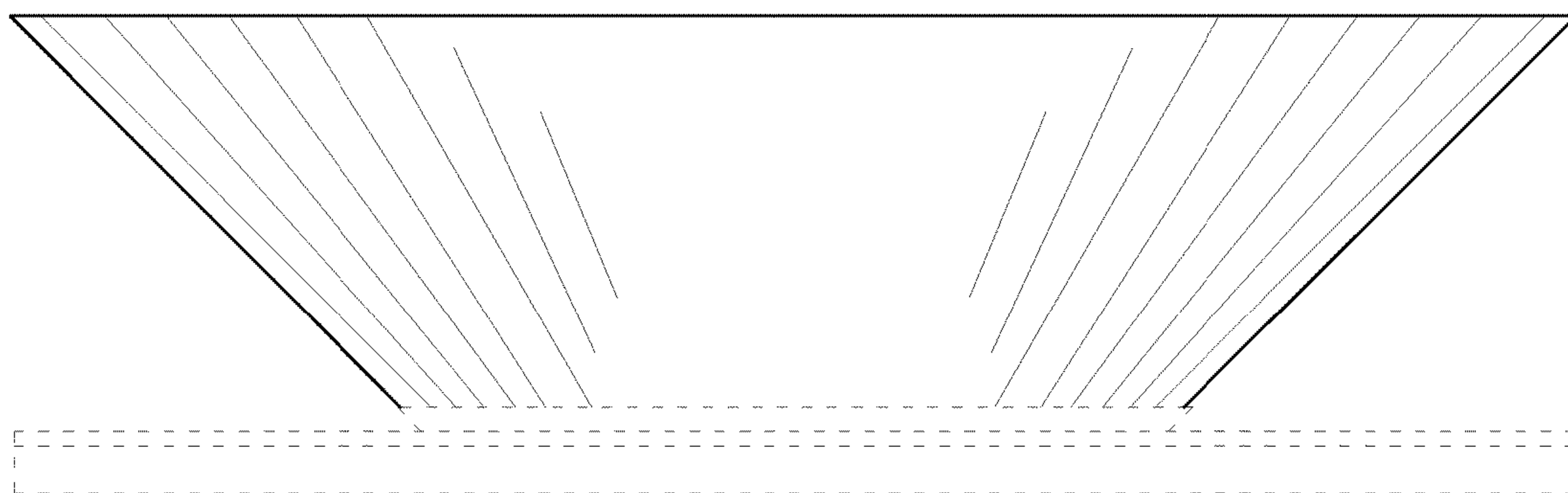


FIG. 3

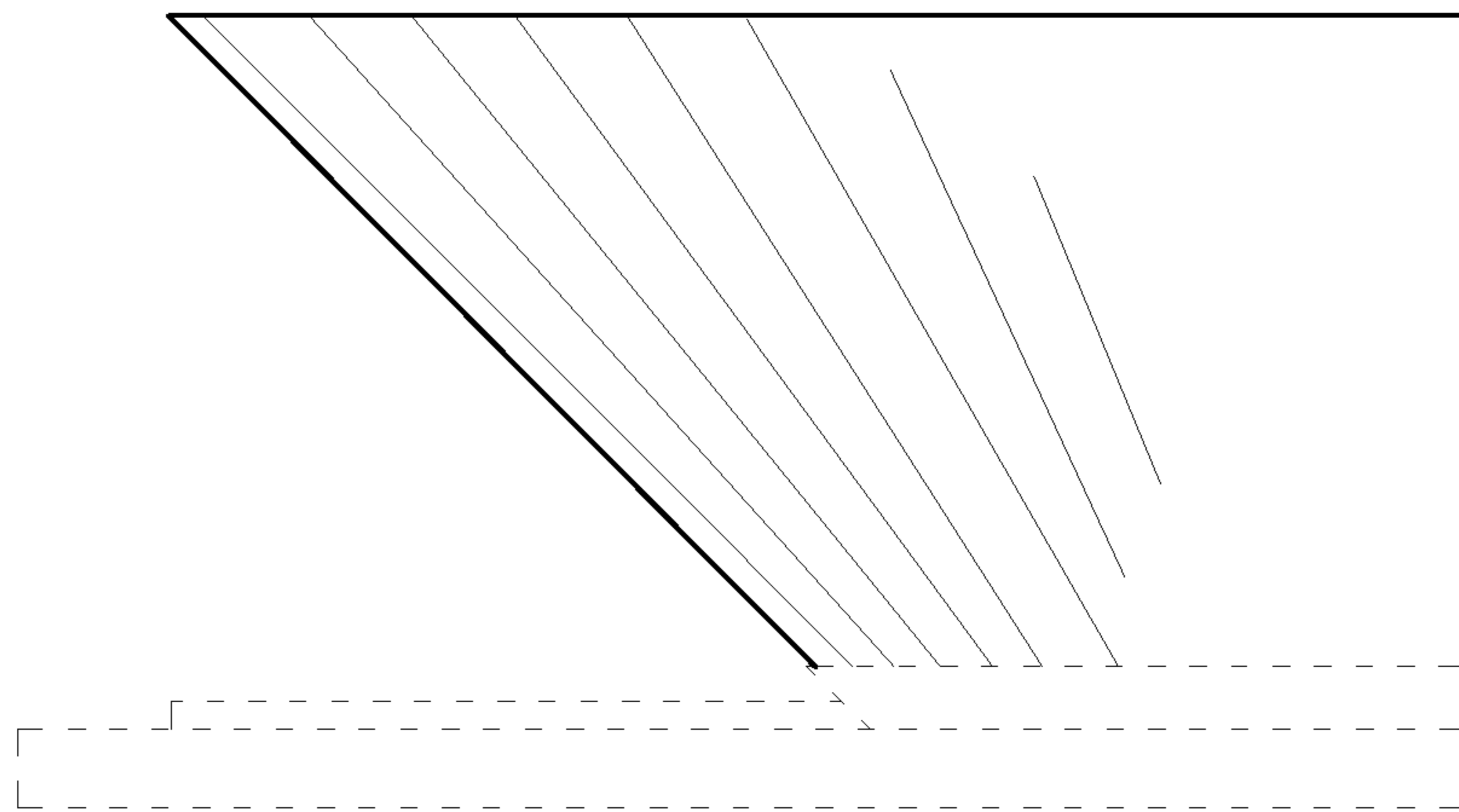


FIG. 4

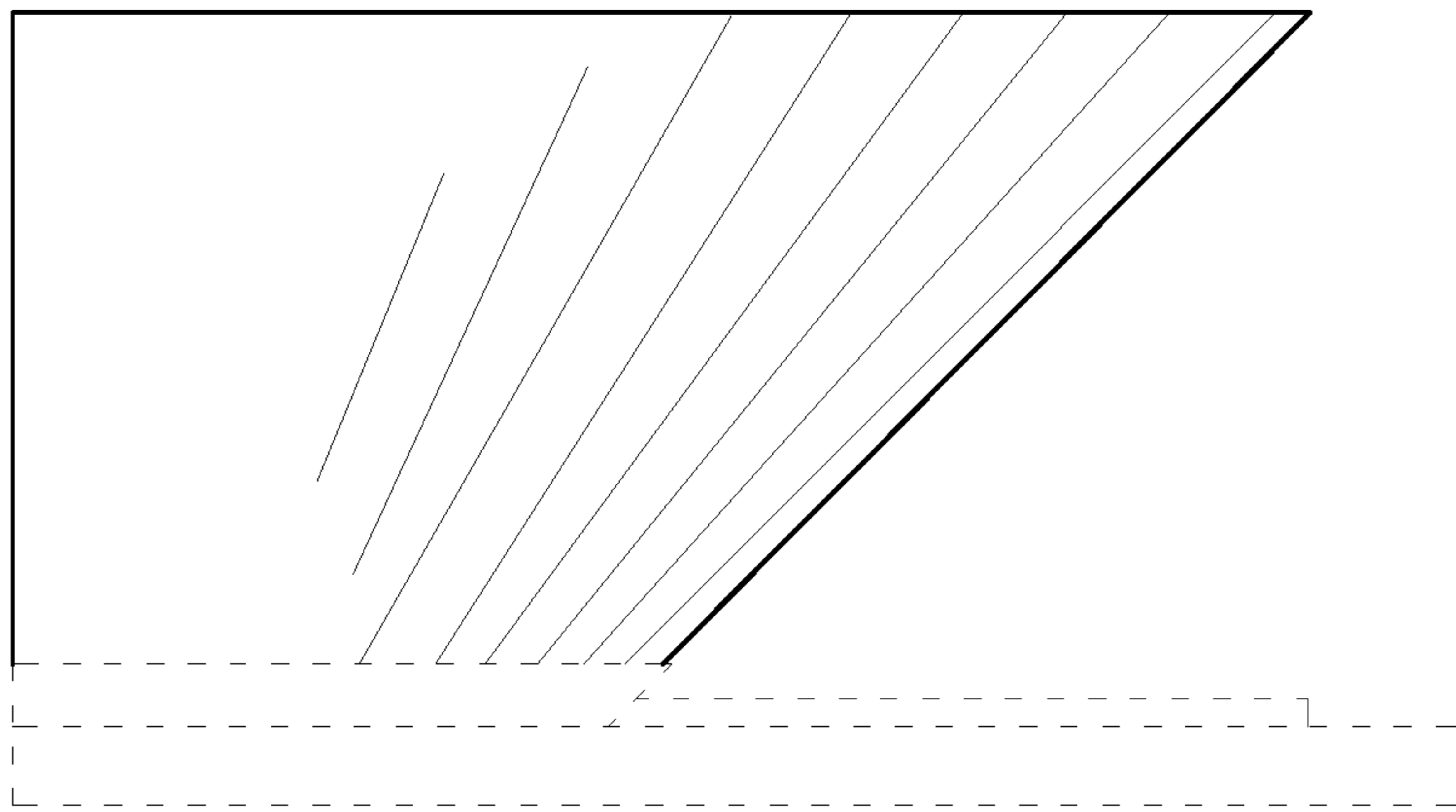


FIG. 5

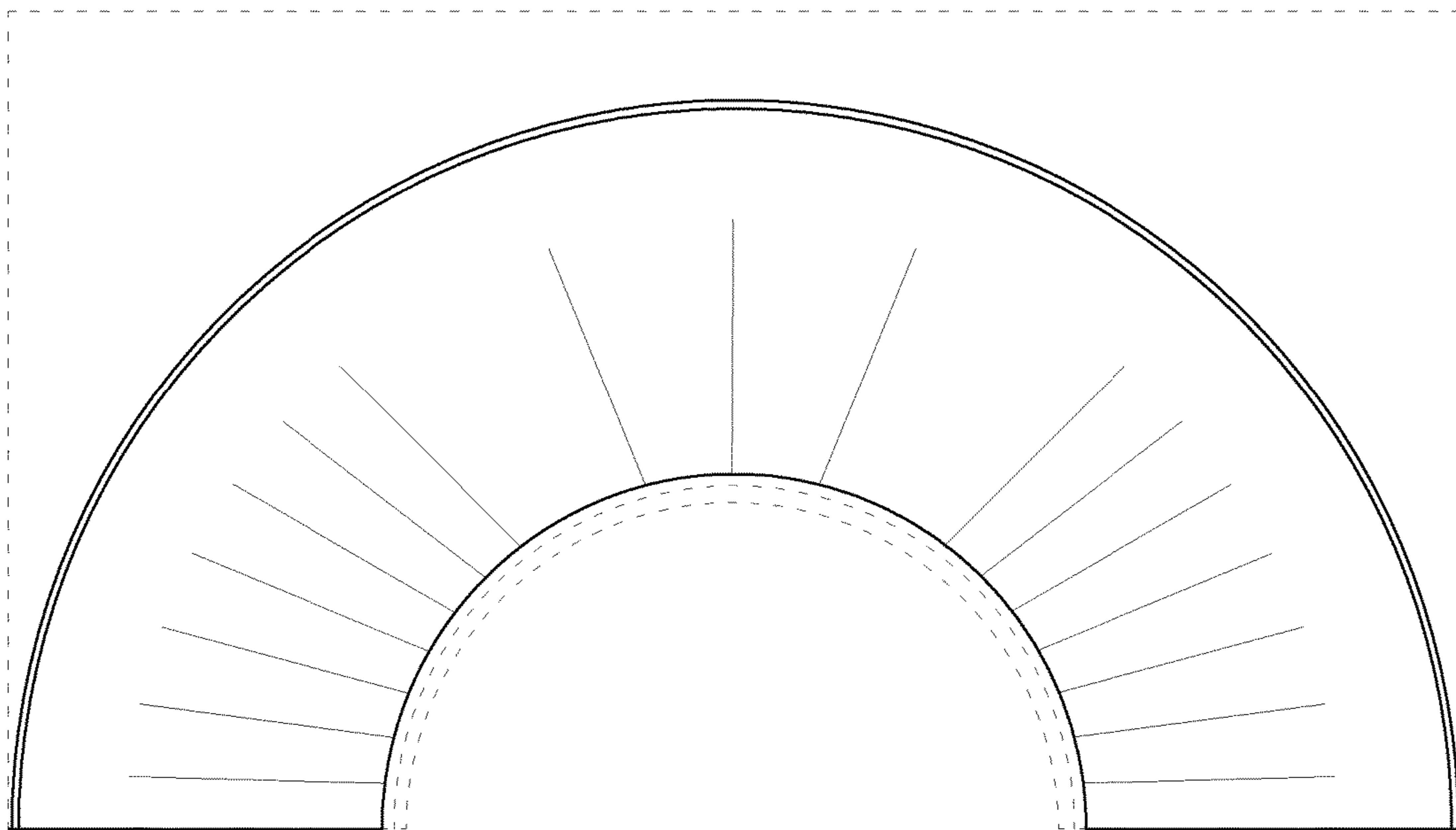


FIG. 6

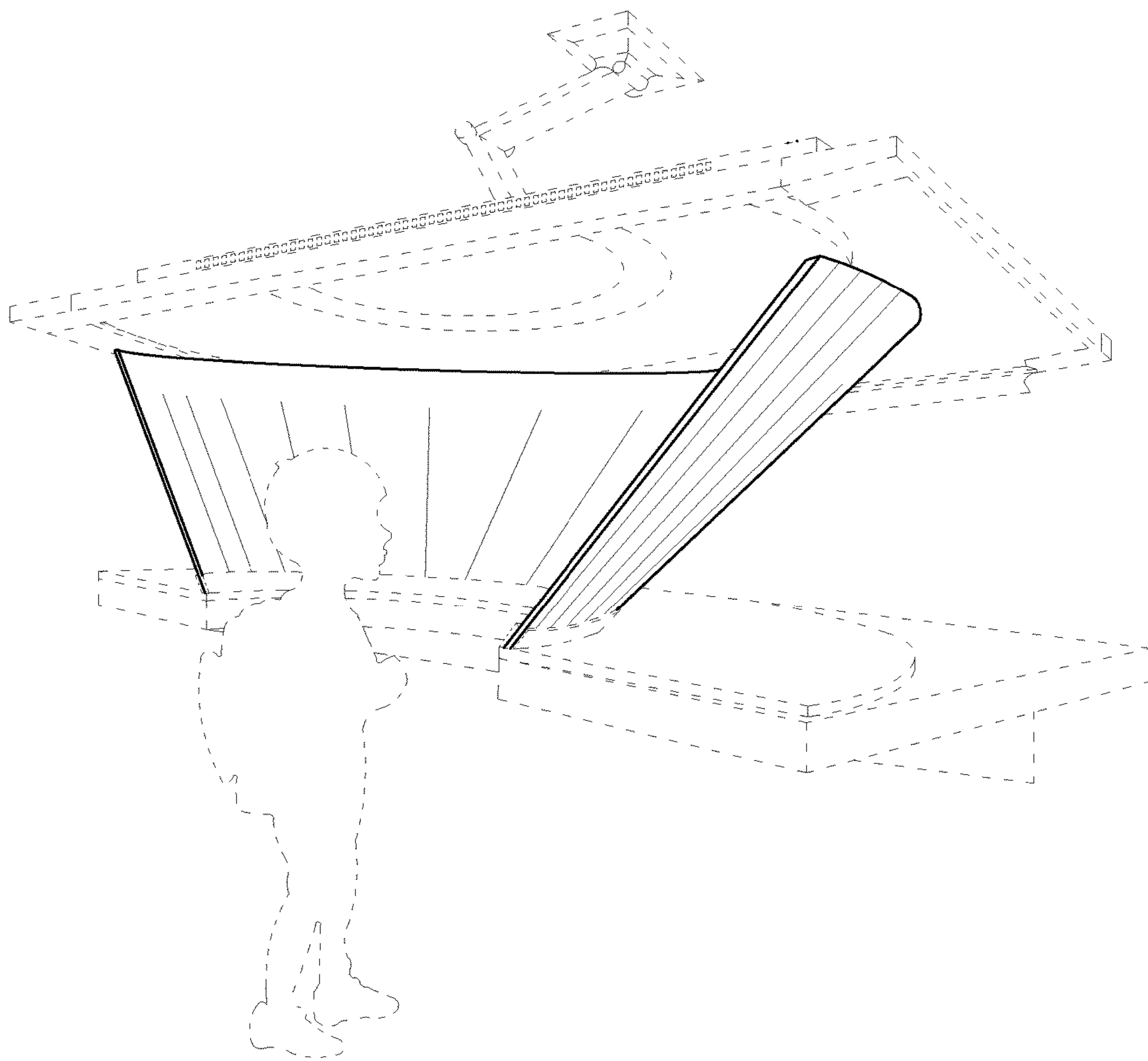


FIG. 7



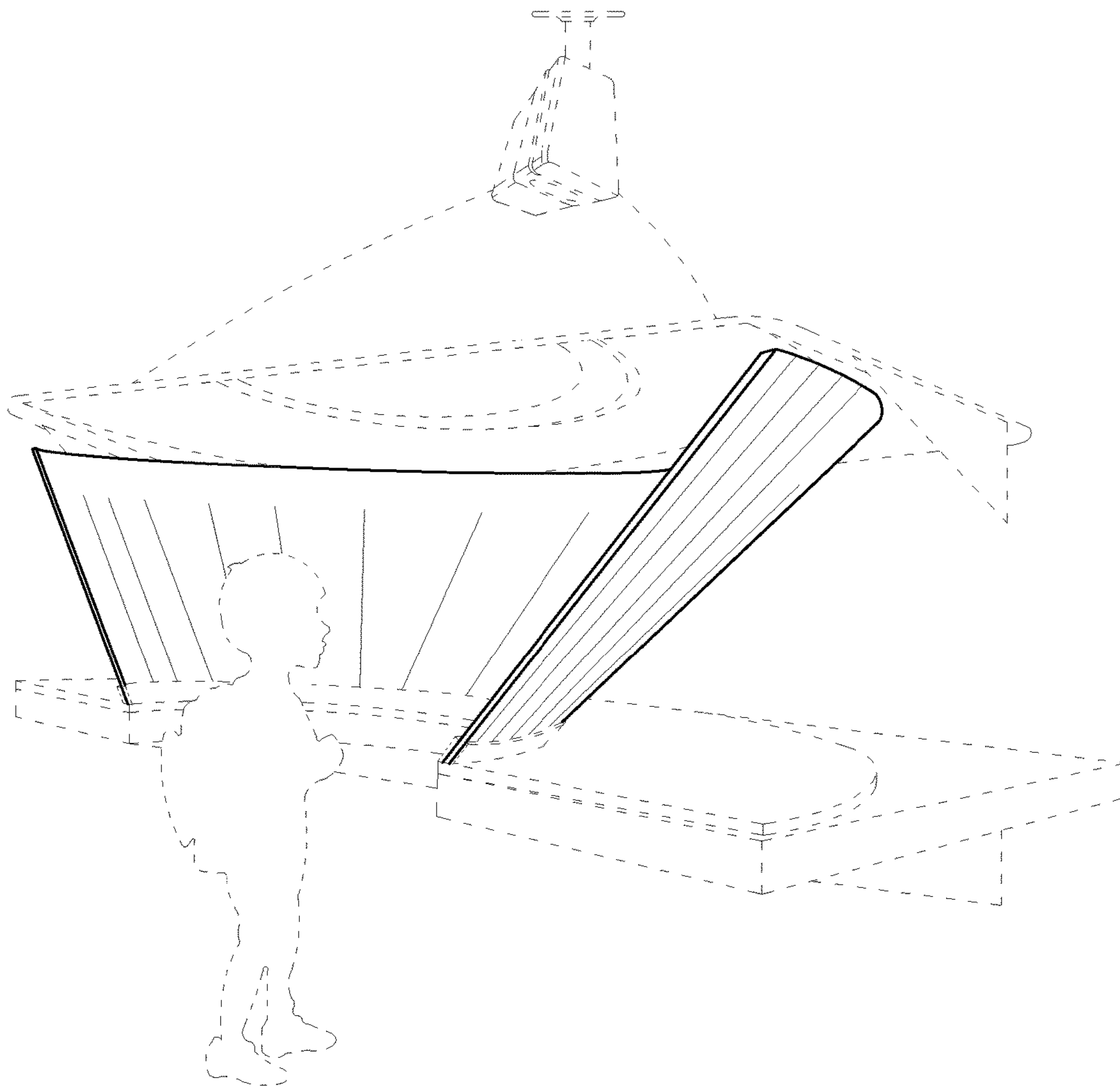


FIG. 8