



US00D824902S

(12) **United States Design Patent** (10) **Patent No.:** **US D824,902 S**
Roarty et al. (45) **Date of Patent:** **** Aug. 7, 2018**

- (54) **FOLDING STAND WITH MONITORS**
- (71) Applicant: **Bloomberg Finance L.P.**, New York, NY (US)
- (72) Inventors: **Sean Roarty**, Ossining, NY (US); **Chris Brown**, Oakville (CA); **Vito Illuzzi**, Staten Island, NY (US); **John Harmen**, Burlington (CA); **Al Castagna**, Etobicoke (CA)
- (73) Assignee: **BLOOMBERG FINANCE L.P.**, New York, NY (US)

D377,897 S	2/1997	Vogels	
5,609,316 A	3/1997	Tigliev	
D388,646 S	1/1998	Canton et al.	
D396,862 S	8/1998	Morgan	
D428,863 S *	8/2000	Rahemtulla	D14/337
D430,165 S	8/2000	Lee	
D430,570 S	9/2000	Lee	
6,343,006 B1 *	1/2002	Moscovitch	B60R 11/02 348/794
D507,270 S *	7/2005	Ozolins	D14/375
D527,759 S *	9/2006	Ono	D18/4.5
D528,585 S *	9/2006	Ono	D18/4.5
D589,511 S *	3/2009	Han	D14/373
D589,958 S *	4/2009	Han	D14/373

(Continued)

(**) Term: **15 Years**

- (21) Appl. No.: **29/592,413**
- (22) Filed: **Jan. 30, 2017**
- (51) **LOC (11) Cl.** **14-02**
- (52) **U.S. Cl.**
USPC **D14/371**
- (58) **Field of Classification Search**
USPC D14/371-375, 125-129, 336, 337;
D6/300, 308; D19/113, 114; D20/10;
D18/4.3-4.5
CPC G09F 15/0025; G09F 15/0062; G09F
15/0068; G06F 1/16; G06F 1/1613; G06F
1/133308; G06F 1/1601; G06F 3/037;
G06F 1/162; F16M 11/02; F16M 11/10;
F16M 11/00; F16M 11/06; F16M 11/18;
F16M 11/045; F16M 11/105; F16M
11/041; F16M 11/126; F16M 11/04;
F16M 11/24; F16M 13/02; A47F 5/00;
A47B 97/00; B60R 11/02; H05K 5/00
See application file for complete search history.

(56) **References Cited**

U.S. PATENT DOCUMENTS

4,410,158 A	10/1983	Maffei
5,288,043 A	2/1994	Tigliev

OTHER PUBLICATIONS

Office Action from U.S. Appl. No. 29/592,416, dated Nov. 2, 2017, 8 pgs.

(Continued)

Primary Examiner — Freda S Nunn
(74) *Attorney, Agent, or Firm* — Chiesa Shahinian & Giantomasi PC

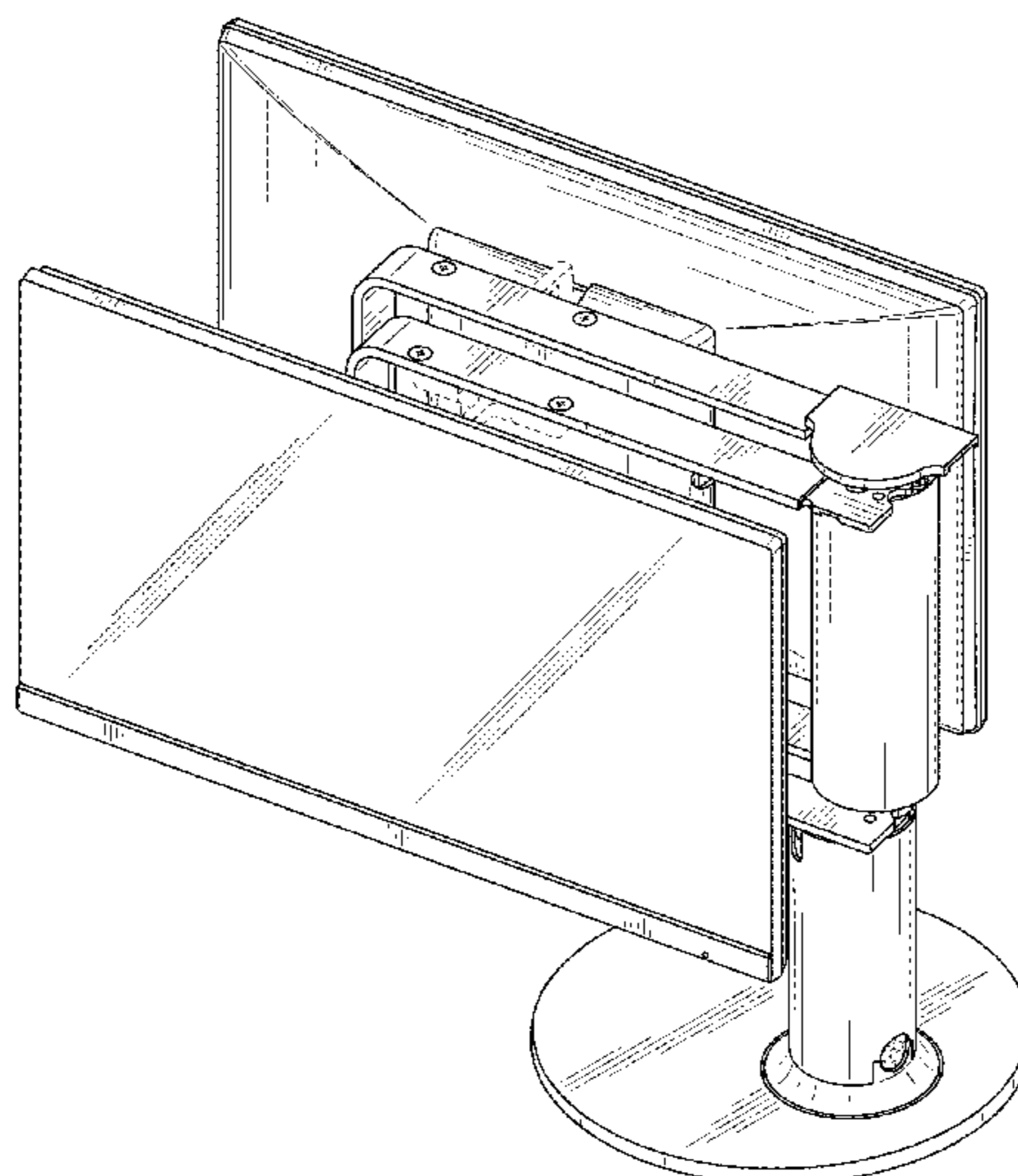
(57) **CLAIM**

The ornamental design for a folding stand with monitors, as shown and described.

DESCRIPTION

FIG. 1 is a perspective view of a folding stand with monitors according to our design;
FIG. 2 is a left side view thereof;
FIG. 3 is a right side view thereof;
FIG. 4 is a front view thereof;
FIG. 5 is a rear view thereof;
FIG. 6 is a top view thereof; and,
FIG. 7 is a bottom view thereof.
Broken lines shown in the drawings represent environment only and form no part of the claimed design.

1 Claim, 5 Drawing Sheets



(56)

References Cited

U.S. PATENT DOCUMENTS

D598,458 S * 8/2009 Li D14/451
D598,459 S 8/2009 Gillespie
7,607,620 B2 * 10/2009 Ozolins F16M 11/08
248/122.1
D627,359 S 11/2010 Gillespie
D712,906 S 9/2014 Wengreen et al.
9,089,216 B2 * 7/2015 Liu F16M 11/10
D754,669 S 4/2016 Jacobs et al.
9,529,464 B2 * 12/2016 Sitbon F16M 11/08
D779,499 S 2/2017 Qian et al.

OTHER PUBLICATIONS

Veneziani; Business Insider: 12 Awesome Things You Can Do with Your Bloomberg Terminal; <http://businessinsider.com/12-things-you-can-do-with-a-bloomberg-terminal-2012-2>; Oct. 26, 2012, 1 page.

* cited by examiner

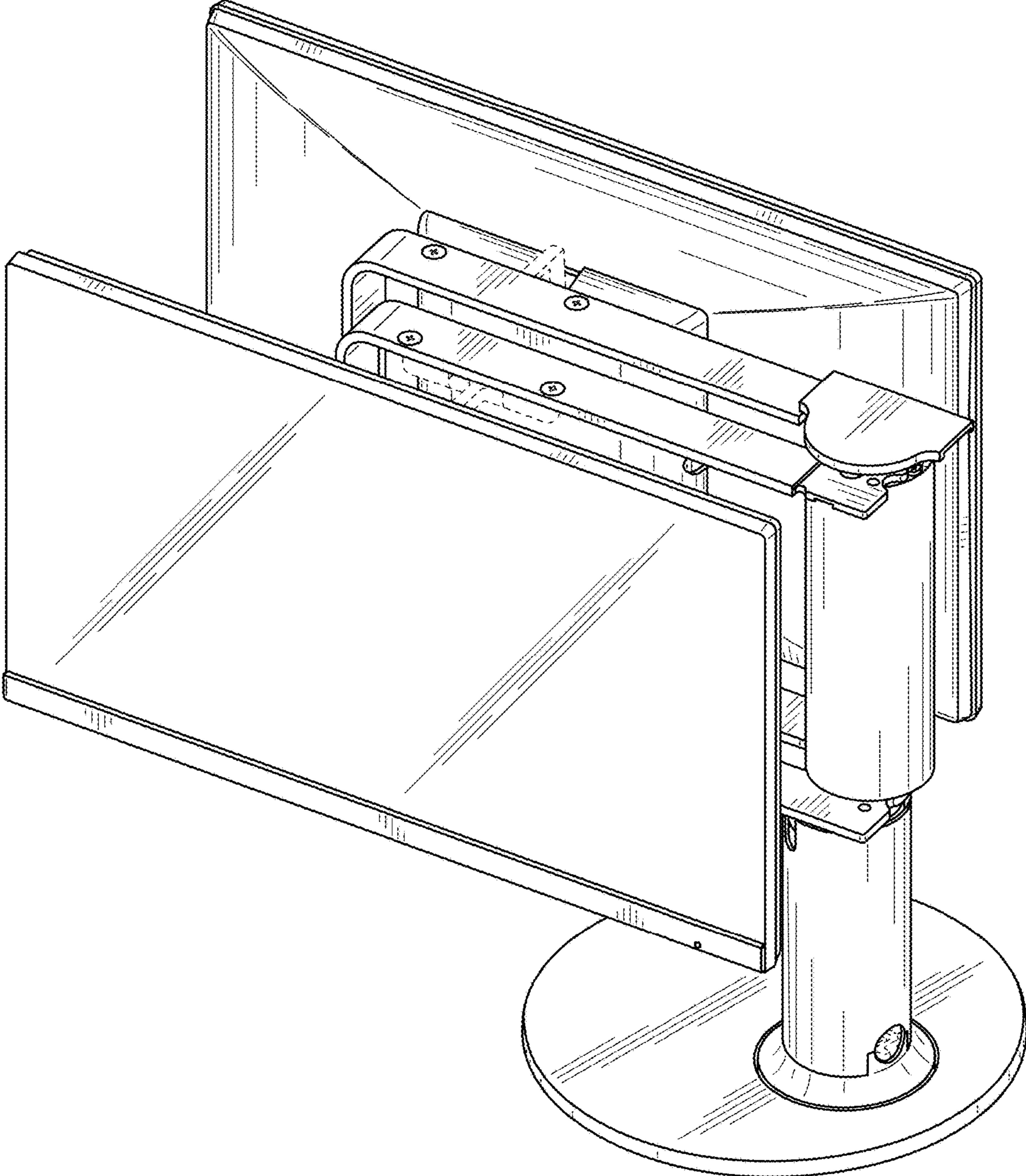


FIG. 1

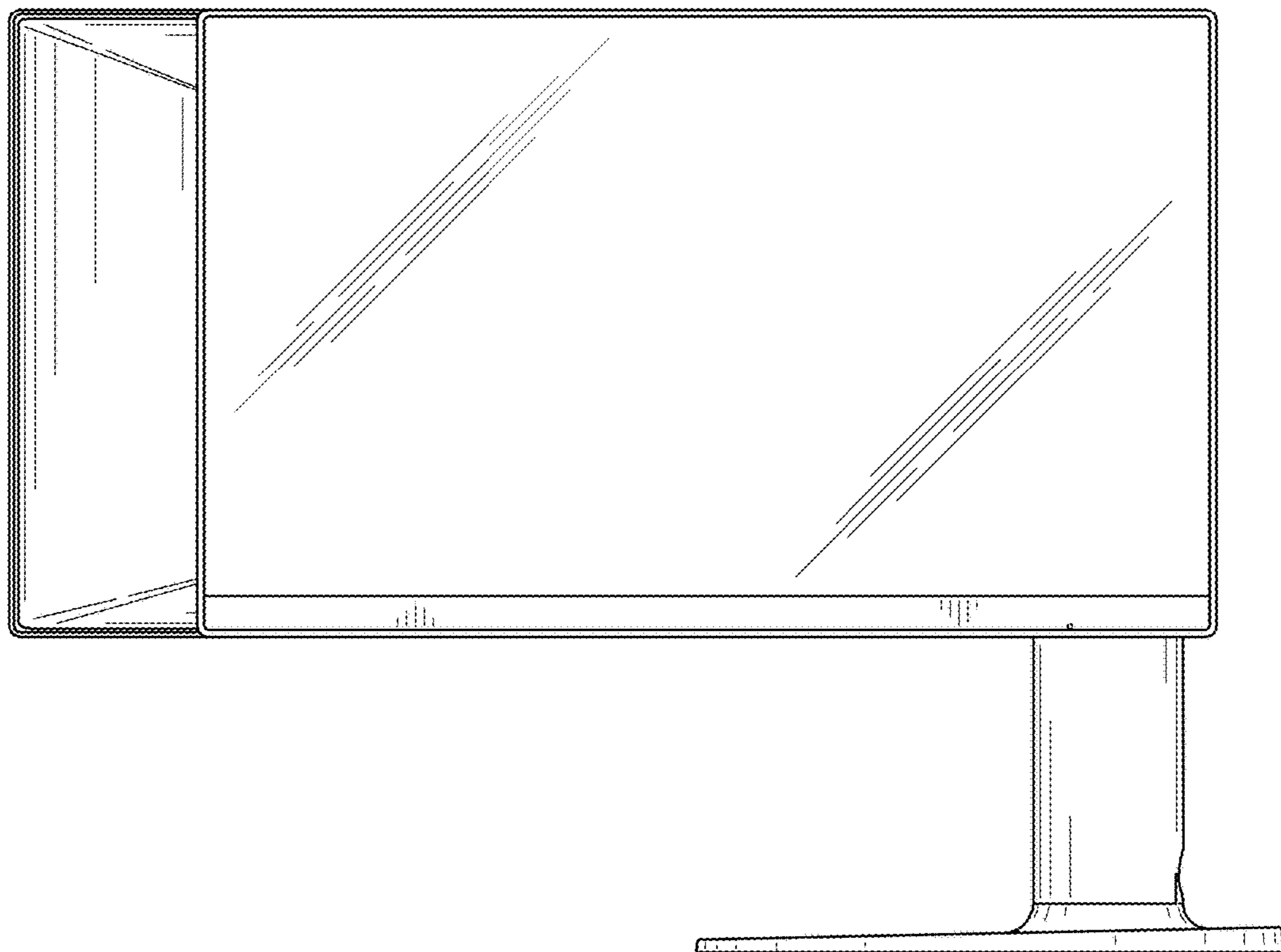


FIG. 2

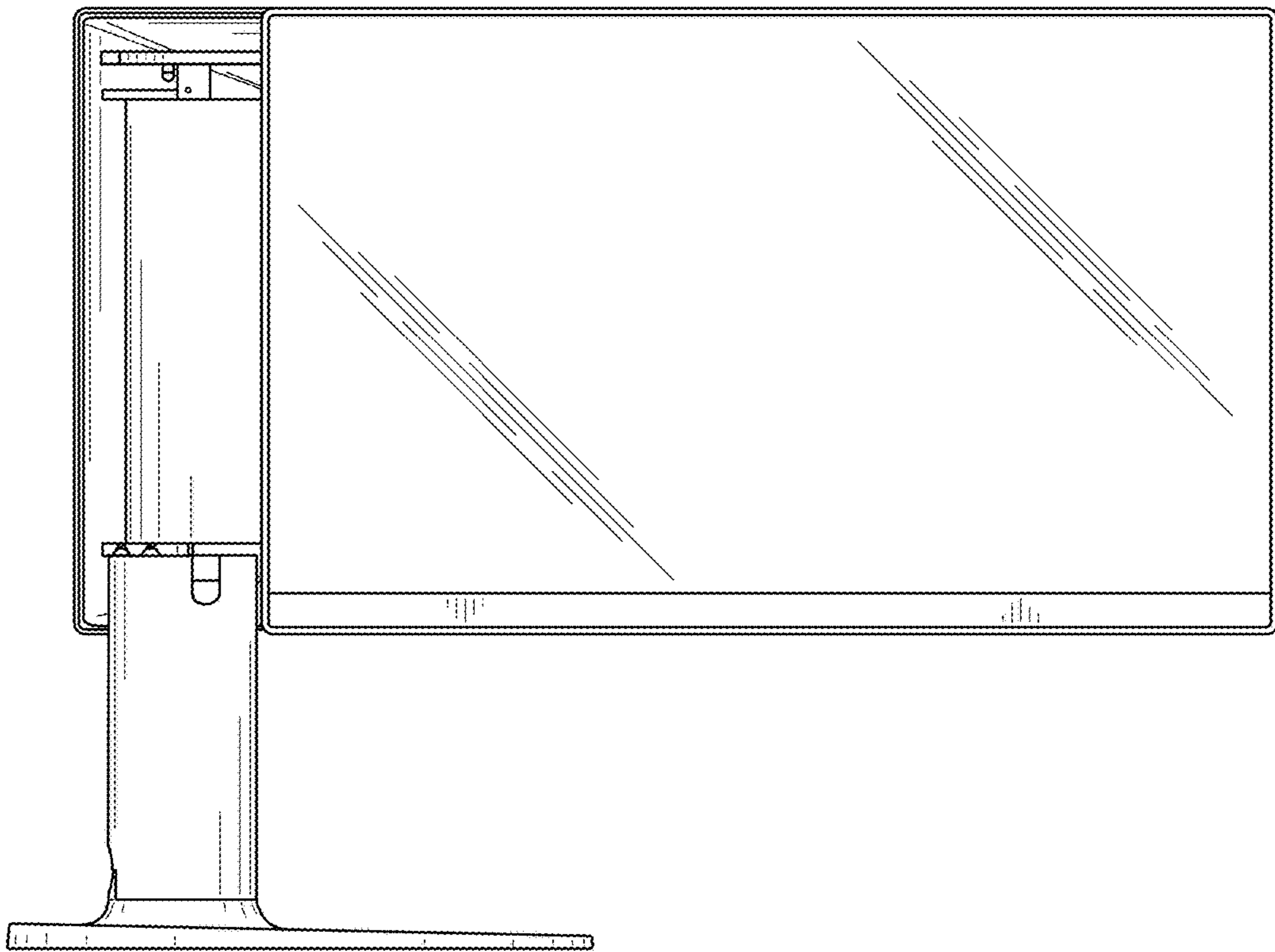


FIG. 3

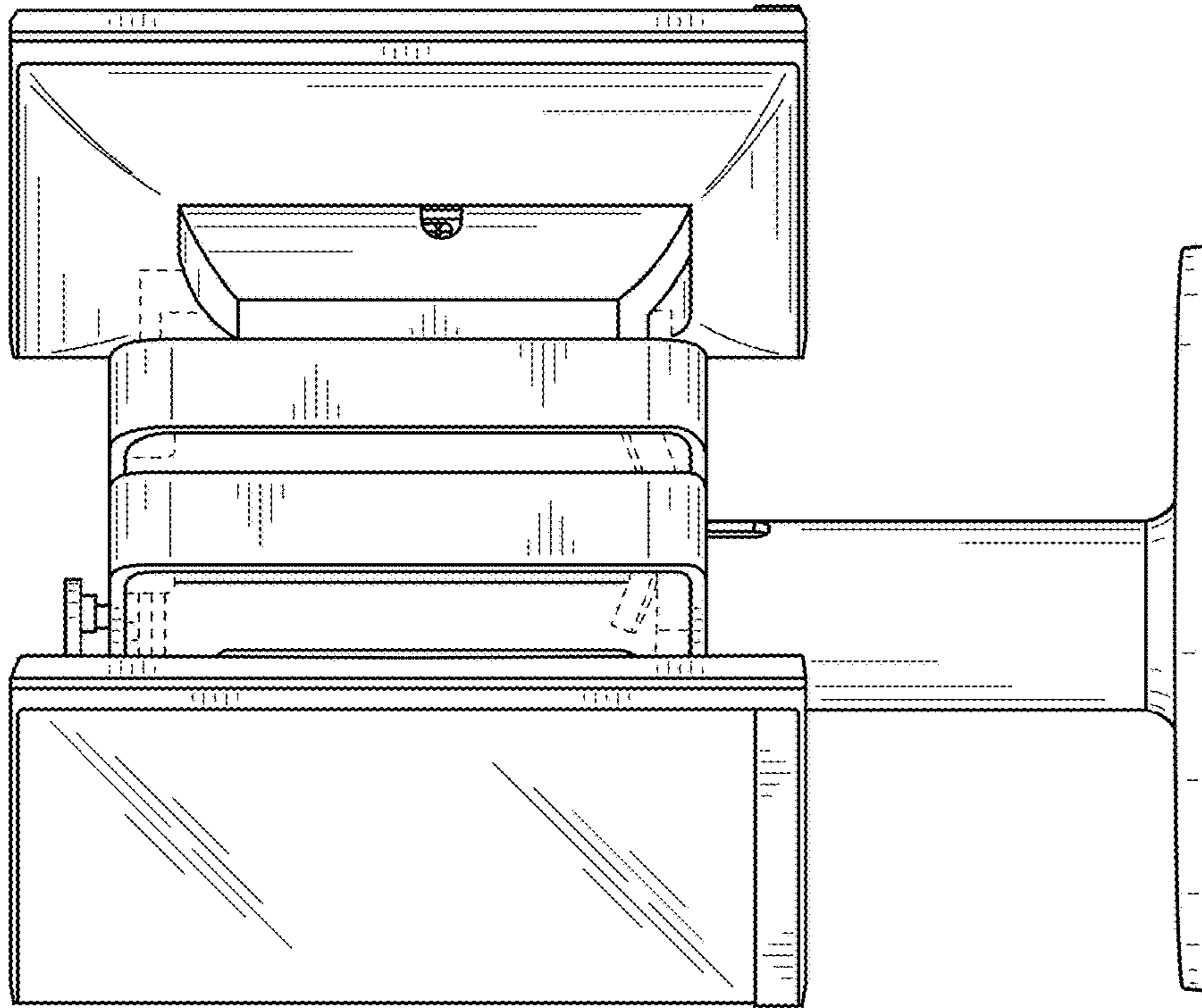


FIG. 5

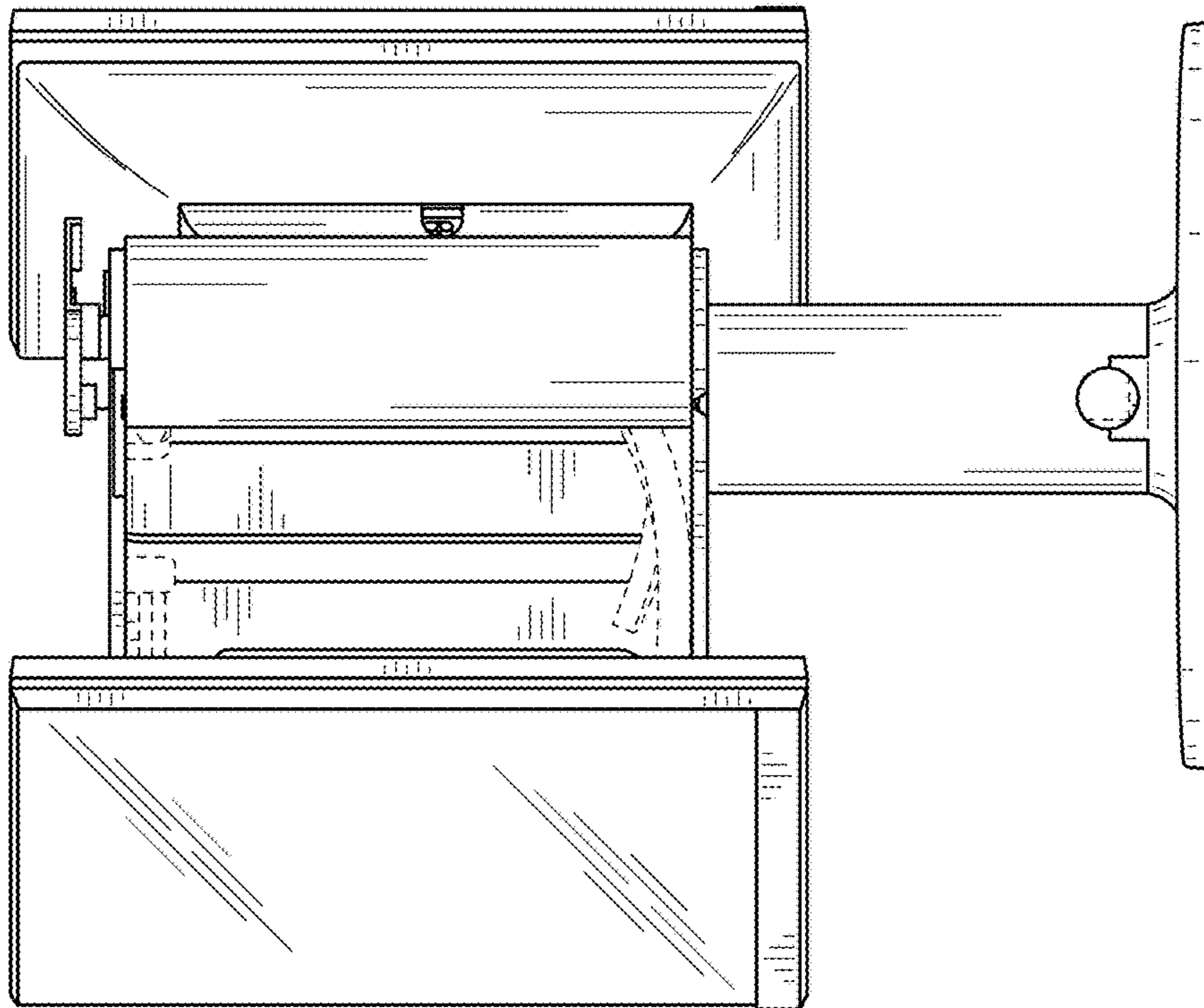


FIG. 4

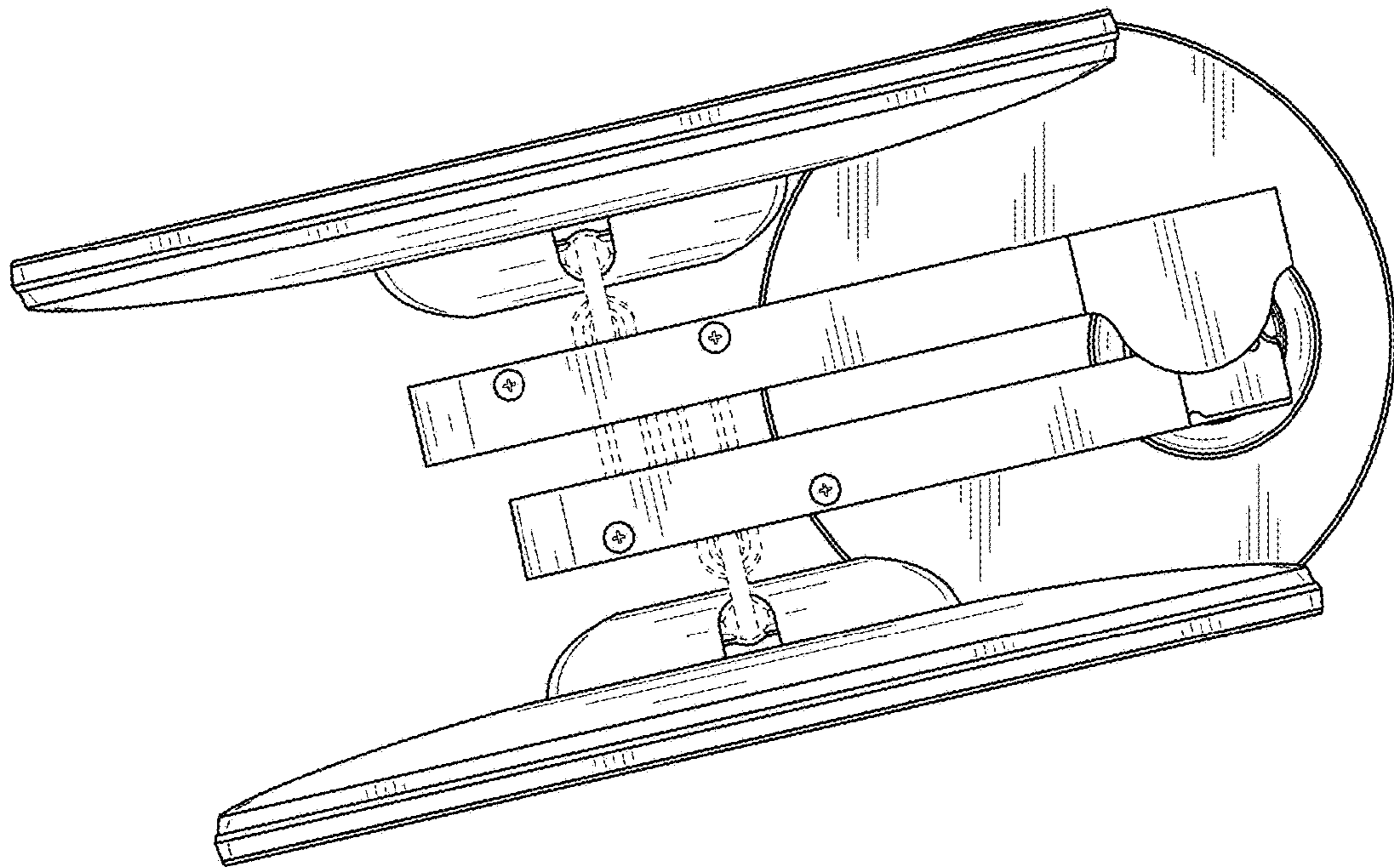


FIG. 6

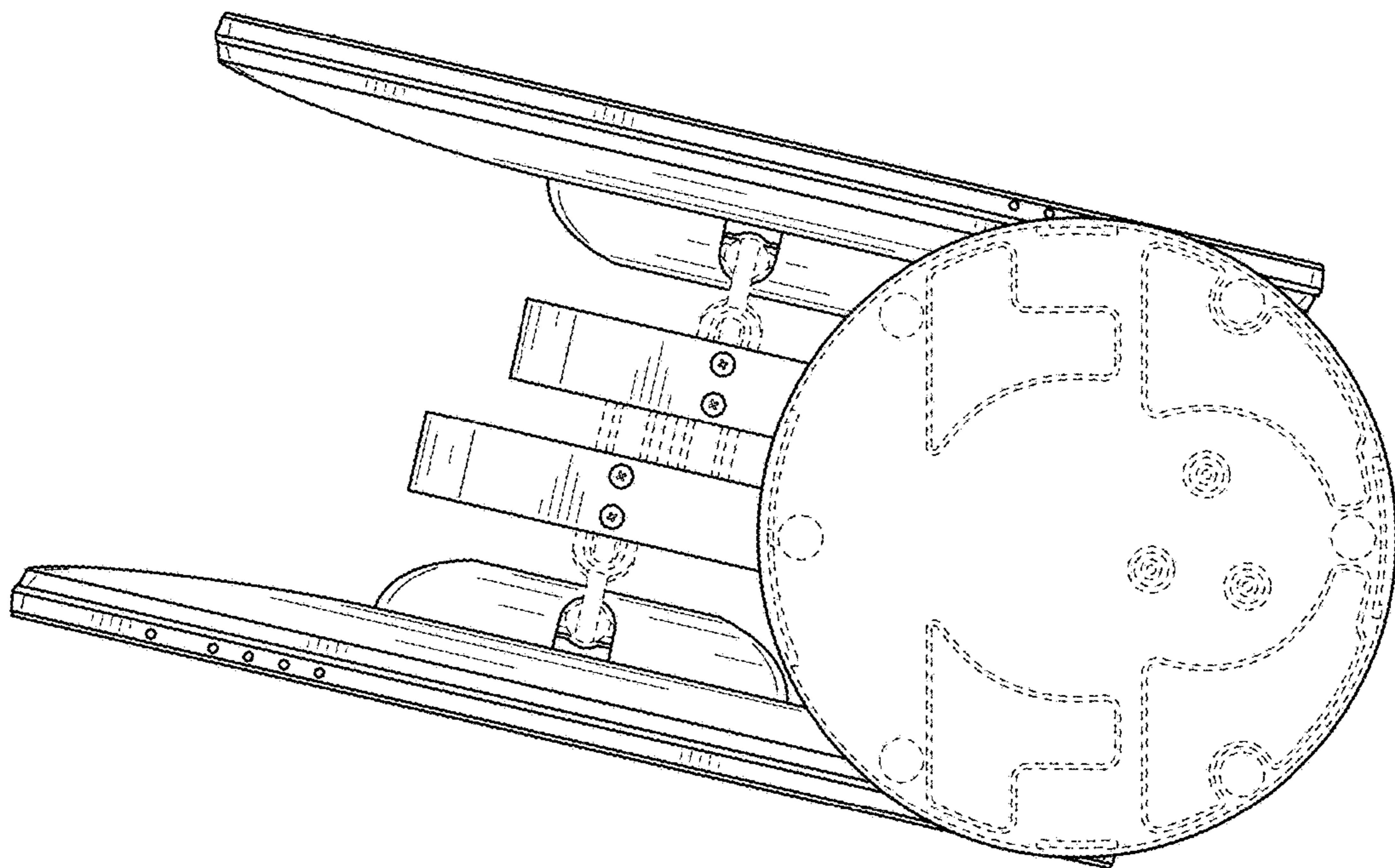


FIG. 7