



US00D824900S

(12) **United States Design Patent** (10) **Patent No.:** **US D824,900 S**
Wu (45) **Date of Patent:** **** Aug. 7, 2018**

(54) **NETWORK ATTACHED STORAGE DEVICE**

(71) Applicant: **Transcend Information, Inc.**, Taipei (TW)

(72) Inventor: **Shih-Ting Wu**, Taipei (TW)

(73) Assignee: **Transcend Information, Inc.**, Taipei (TW)

(**) Term: **15 Years**

(21) Appl. No.: **29/571,817**

(22) Filed: **Jul. 21, 2016**

(51) **LOC (11) Cl.** **14-02**

(52) **U.S. Cl.**
USPC **D14/356**; D14/349; D14/365

(58) **Field of Classification Search**
USPC D14/300-302, 314, 348-370, 383-385, D14/435, 496, 125, 135, 155, 240-242, D14/299, 474, 203.1, 203.3, 203.4, 432; D13/103, 107, 108, 110, 119, 158, 162, D13/184, 199; D3/276, 294
CPC H05K 5/00; H05K 5/0213; G11B 33/027; G11B 33/122; G11B 33/124; G11B 33/00; G11B 33/02; G11B 33/022; G11B 33/025

See application file for complete search history.

(56) **References Cited**

U.S. PATENT DOCUMENTS

D337,760 S *	7/1993	Schneider	D14/370
D371,546 S *	7/1996	Kaneko	D14/368
D380,203 S *	6/1997	Stringer	D14/352
D380,475 S *	7/1997	Rasmussen	D14/256
D413,021 S *	8/1999	Wheatley	D10/104.1
D418,490 S *	1/2000	Jobs	D14/351
D431,243 S *	9/2000	Oba	D14/351
D436,959 S *	1/2001	Reynolds	D14/368
D440,980 S *	4/2001	Chung	D14/496
D452,239 S *	12/2001	Kitayama	D14/349
D462,073 S *	8/2002	Yoon	D14/368

D491,179 S *	6/2004	Wu	D14/368
D491,191 S *	6/2004	Wen	D14/496
D510,094 S *	9/2005	Bolton	D14/496
D510,734 S *	10/2005	Christianson	D14/155
D514,118 S *	1/2006	Christianson	D14/496
D523,014 S *	6/2006	Liu	D14/240
D576,162 S *	9/2008	Mine	D14/356
D579,931 S *	11/2008	Chang	D14/242
D579,953 S *	11/2008	Chen	D14/496
D596,634 S *	7/2009	Wong	D14/358

(Continued)

OTHER PUBLICATIONS

Buffalo LinkStation Pro 2TB review. expertreviews.co.uk [online] 17 pgs. Posted Apr. 29, 2012. [Retrieved on Jan. 9, 2018] <http://www.expertreviews.co.uk/storage/nas-drives/51746/buffalo-linkstation-pro-2tb-review>.*

(Continued)

Primary Examiner — Susan Bennett Hattan
Assistant Examiner — Marie D. Fast Horse
(74) *Attorney, Agent, or Firm* — Winston Hsu

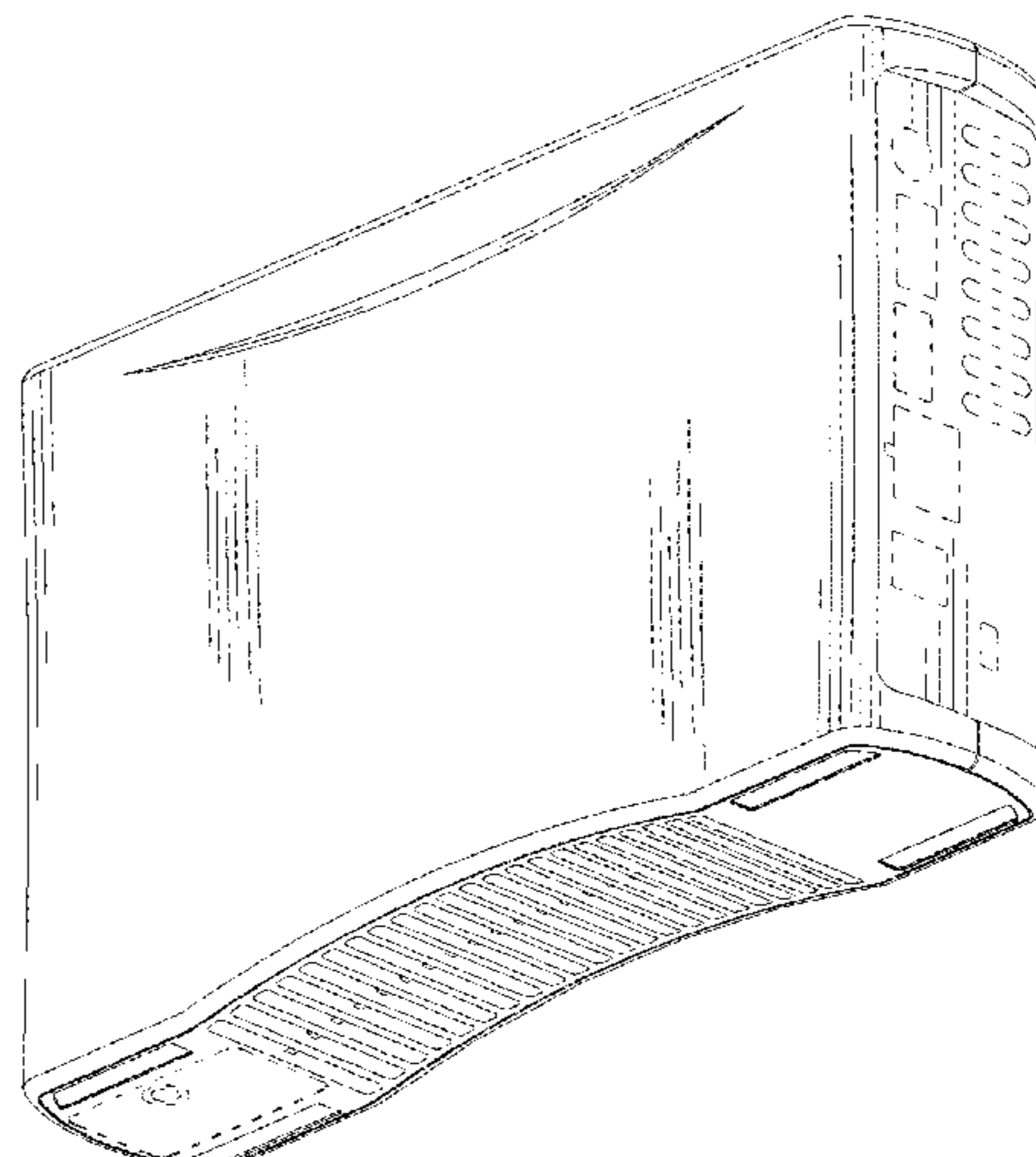
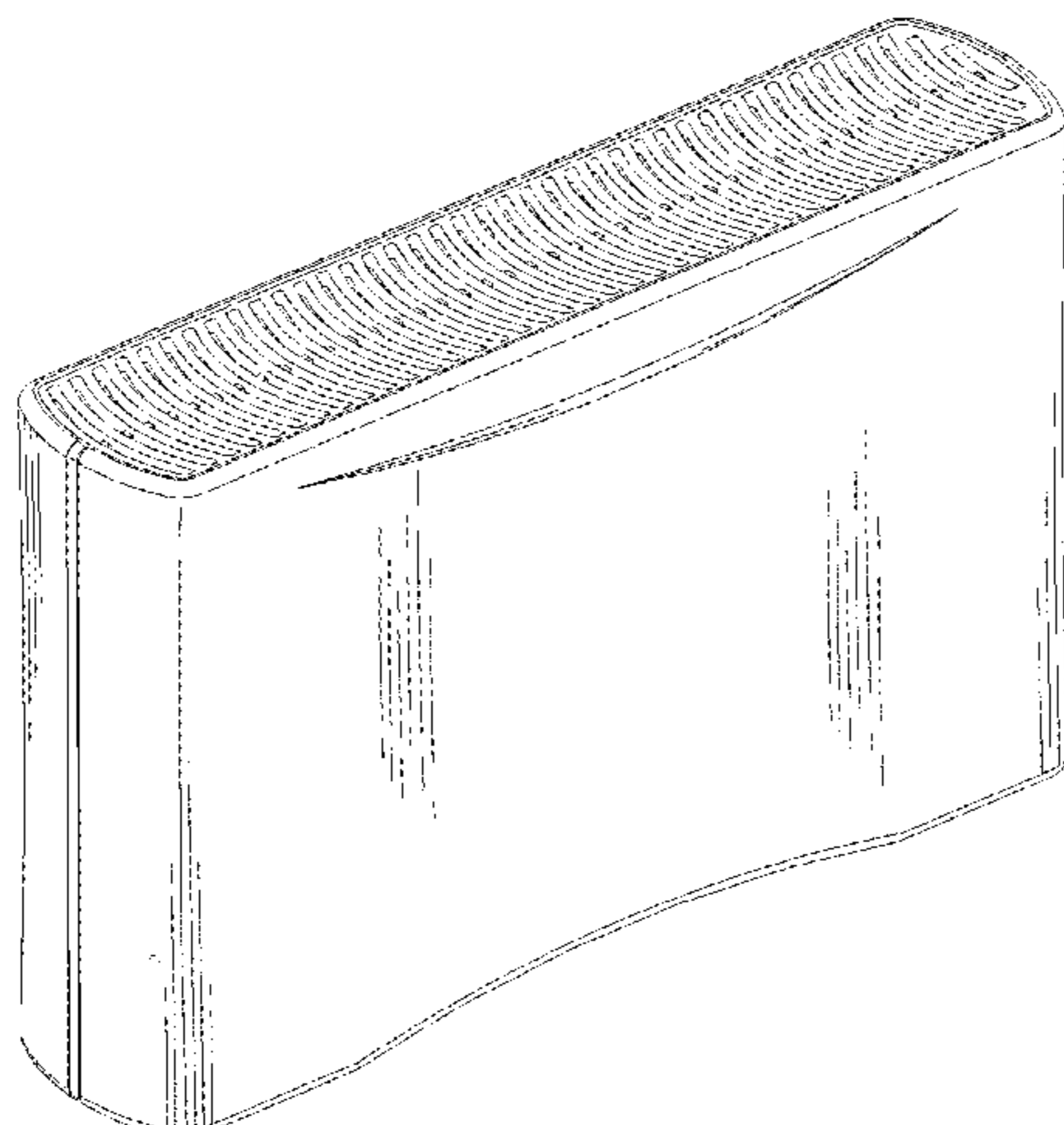
(57) **CLAIM**

The ornamental design for a network attached storage device, as shown and described.

DESCRIPTION

FIG. 1 is a front, left, top perspective view of a network attached storage device showing my new design;
FIG. 2 is a front view thereof;
FIG. 3 is a rear view thereof;
FIG. 4 is a left side view thereof;
FIG. 5 is a right side view thereof;
FIG. 6 is a top view thereof;
FIG. 7 is a bottom view thereof; and,
FIG. 8 is a front, right, bottom perspective view thereof.
The broken lines shown represent portions of the network attached storage device that form no part of the claimed design.

1 Claim, 7 Drawing Sheets



(56)

References Cited

U.S. PATENT DOCUMENTS

D606,543 S	*	12/2009	Wong	D14/358
D611,015 S	*	3/2010	Huang	D14/125
D638,385 S	*	5/2011	Wong	D14/125
D641,753 S	*	7/2011	Obata	D14/356
D642,999 S	*	8/2011	Wan	D14/125
D648,690 S	*	11/2011	Snodgrass	D14/125
D654,495 S	*	2/2012	Barron	D14/349
D689,857 S	*	9/2013	Amit	D14/349
D702,218 S	*	4/2014	Wu	D14/242
D737,818 S	*	9/2015	Peng	D14/365
D740,282 S	*	10/2015	Peng	D14/364
D760,222 S	*	6/2016	Peng	D14/358
D761,255 S	*	7/2016	Takano	D14/358
D768,129 S	*	10/2016	Chen	D14/349
D786,863 S	*	5/2017	Kim	D14/356

OTHER PUBLICATIONS

A Look at the Transcend Storejet Cloud 110 and 210 Network Attached Storage. nerdtechy.com. [online] 13 pgs. Posted Jun. 26, 2016. [Retrieved on Jan. 9, 2018] <https://nerdtechy.com/transcend-storejet-cloud-110-210>.*

Transcend StoreJet 35T3. youtube.com. [online video] 1 pg. Mar 23, 2011. [Retrieved on Jan. 9, 2018] <https://www.youtube.com/watch?v=RNL1C1OqFFE>.*

Data storage devices. (Design—© Questel). orbit.com.[online PDF] 25 pgs. Print Dates range Mar. 9, 2009 through Nov. 11, 2015. [Retrieved on Jan. 10, 2018] <https://sobjprd.questel.fr/export/QPTUJ214/pdf2/9c4f74ce-fe77-40c4-b13d-720953566c52-181446.pdf>.*

* cited by examiner

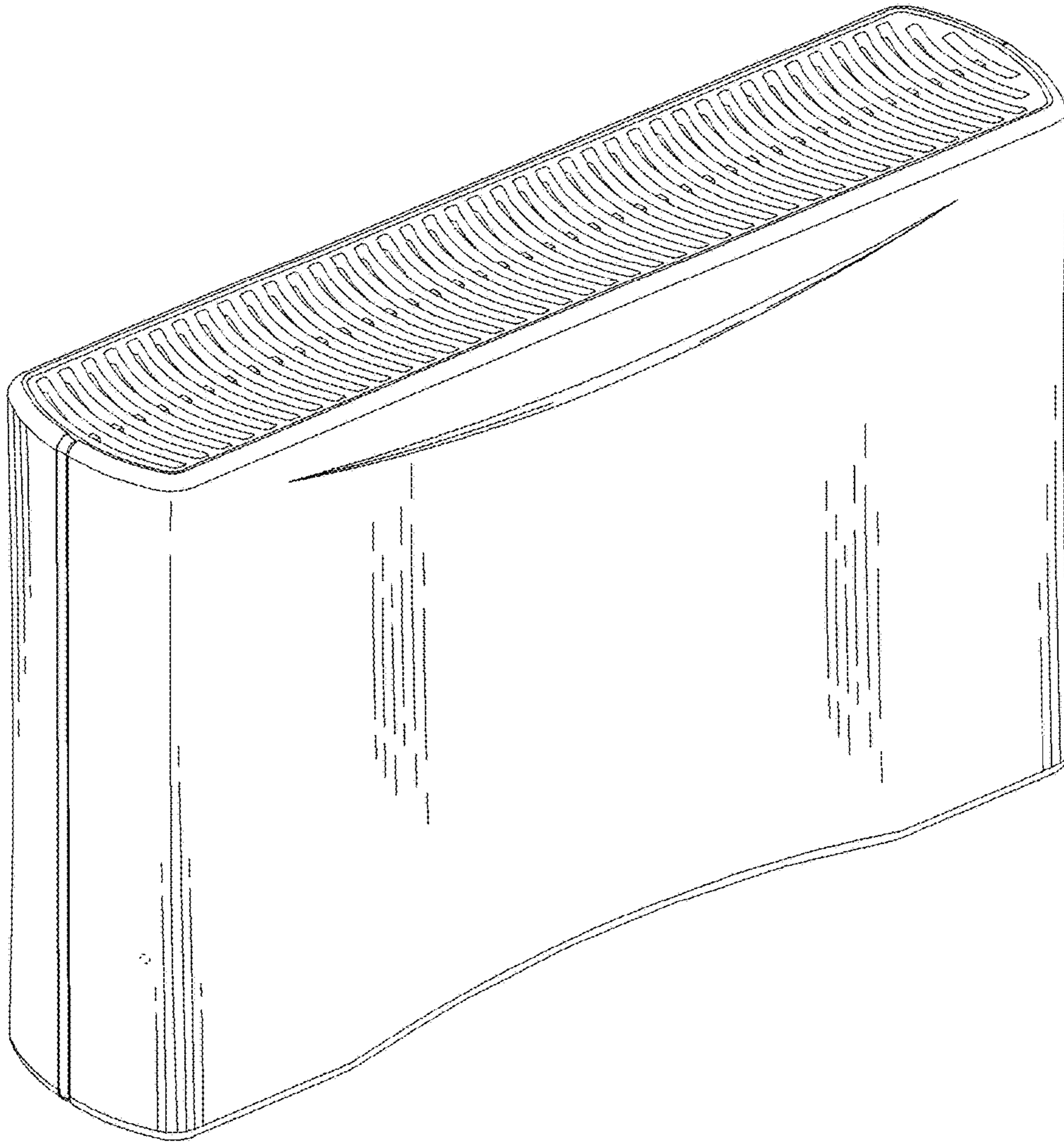


FIG. 1

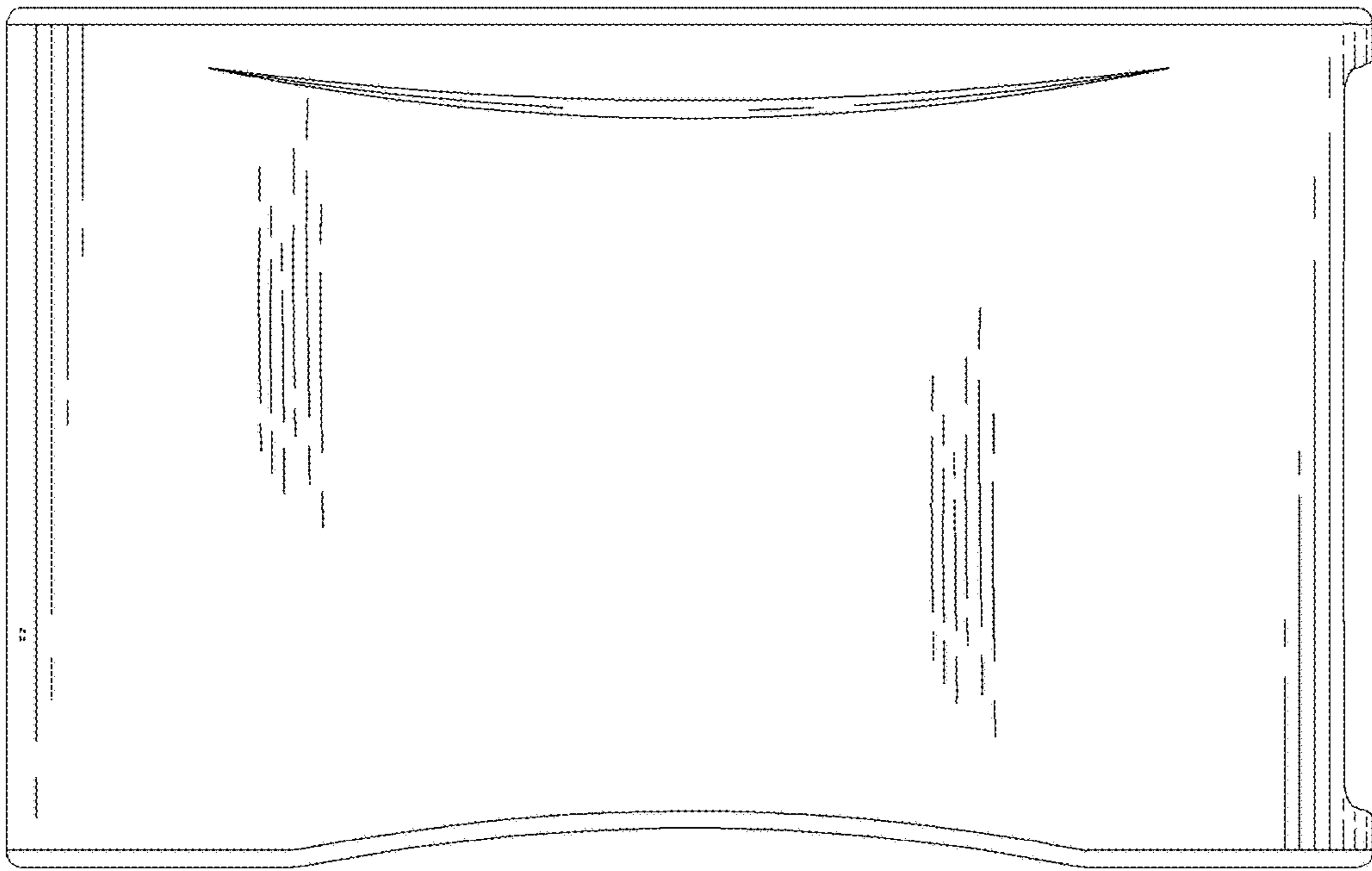


FIG. 2

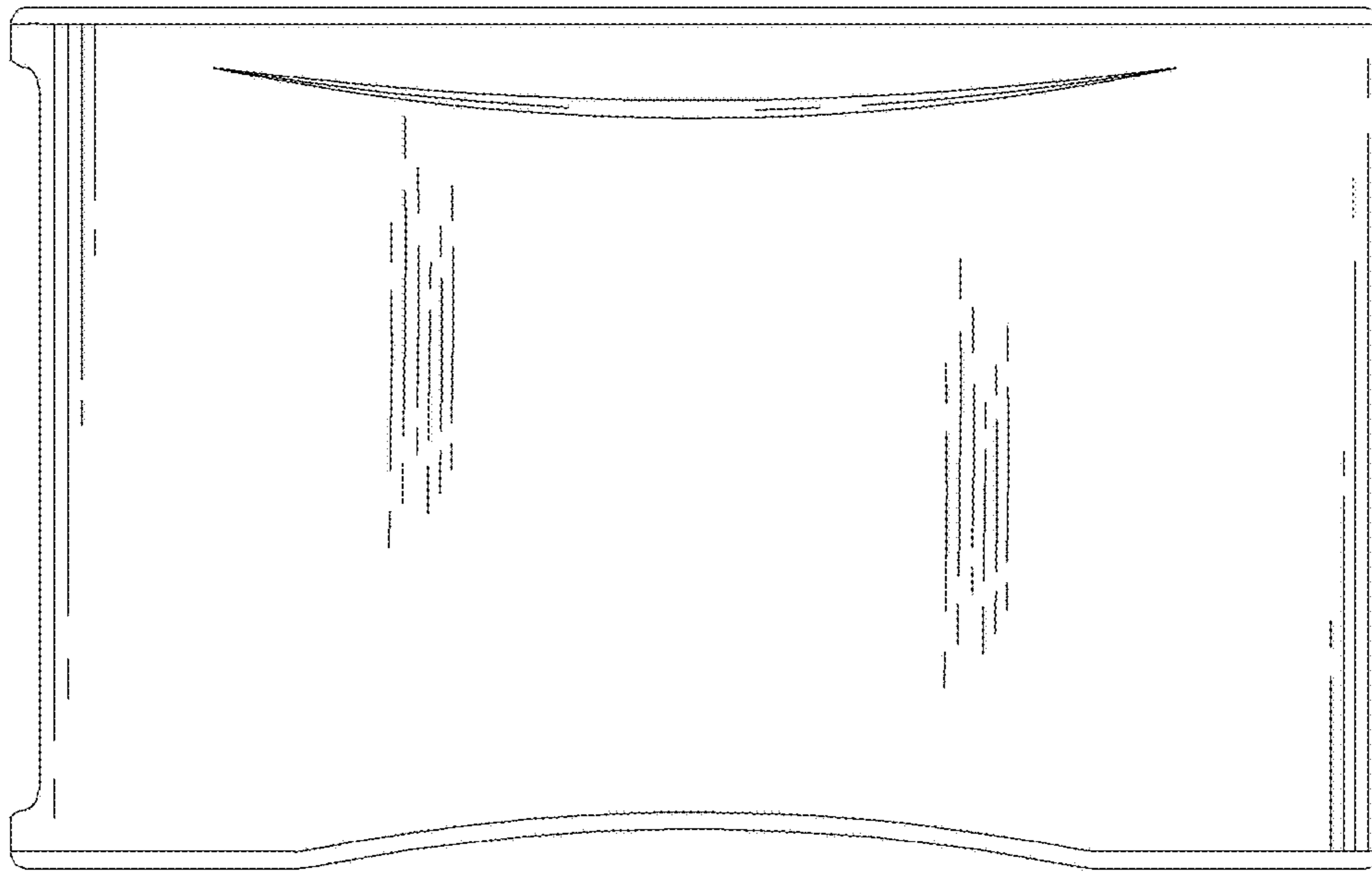


FIG. 3

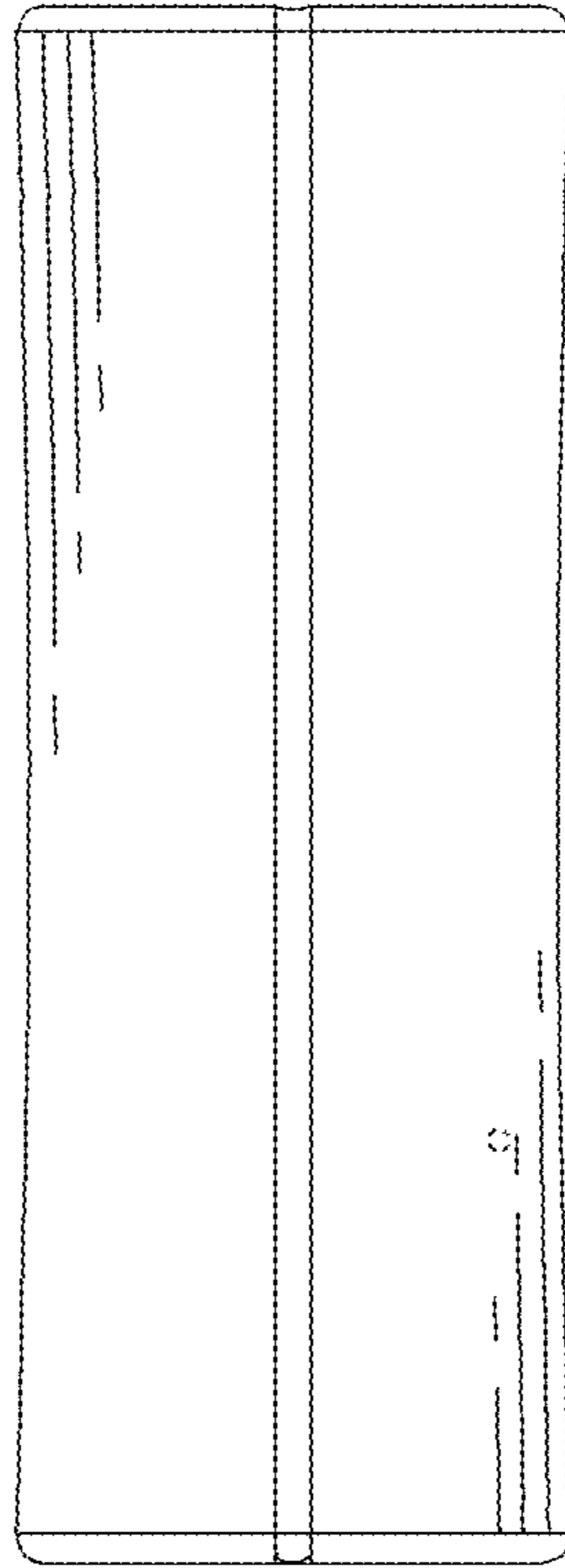


FIG. 4

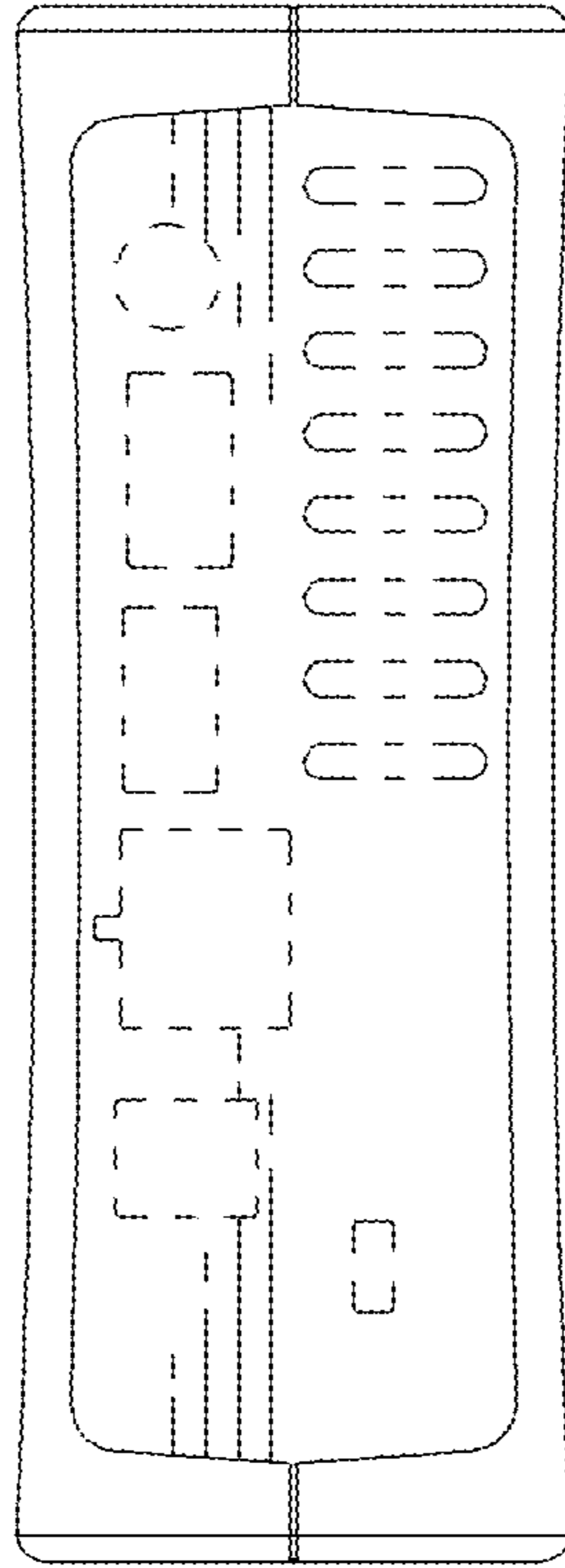


FIG. 5

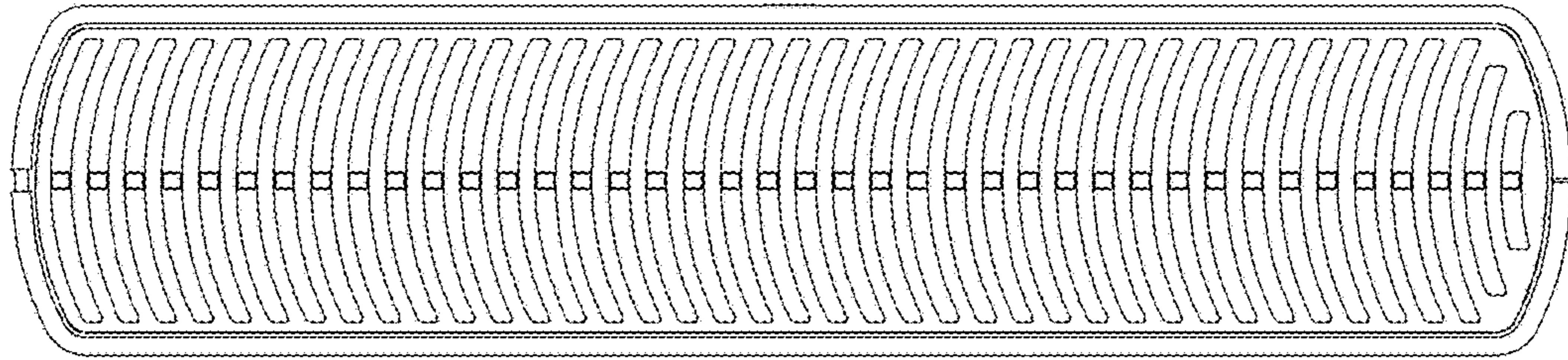


FIG. 6

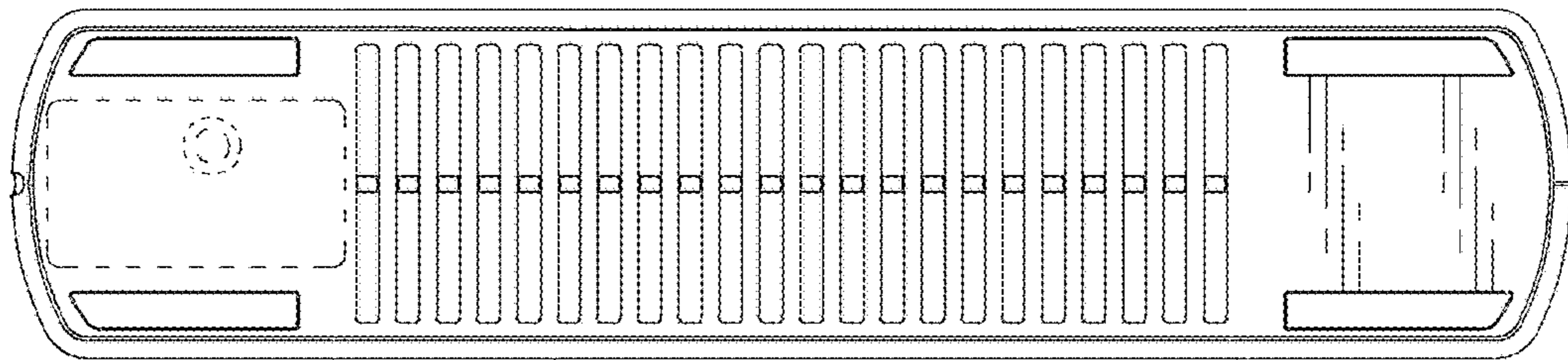


FIG. 7

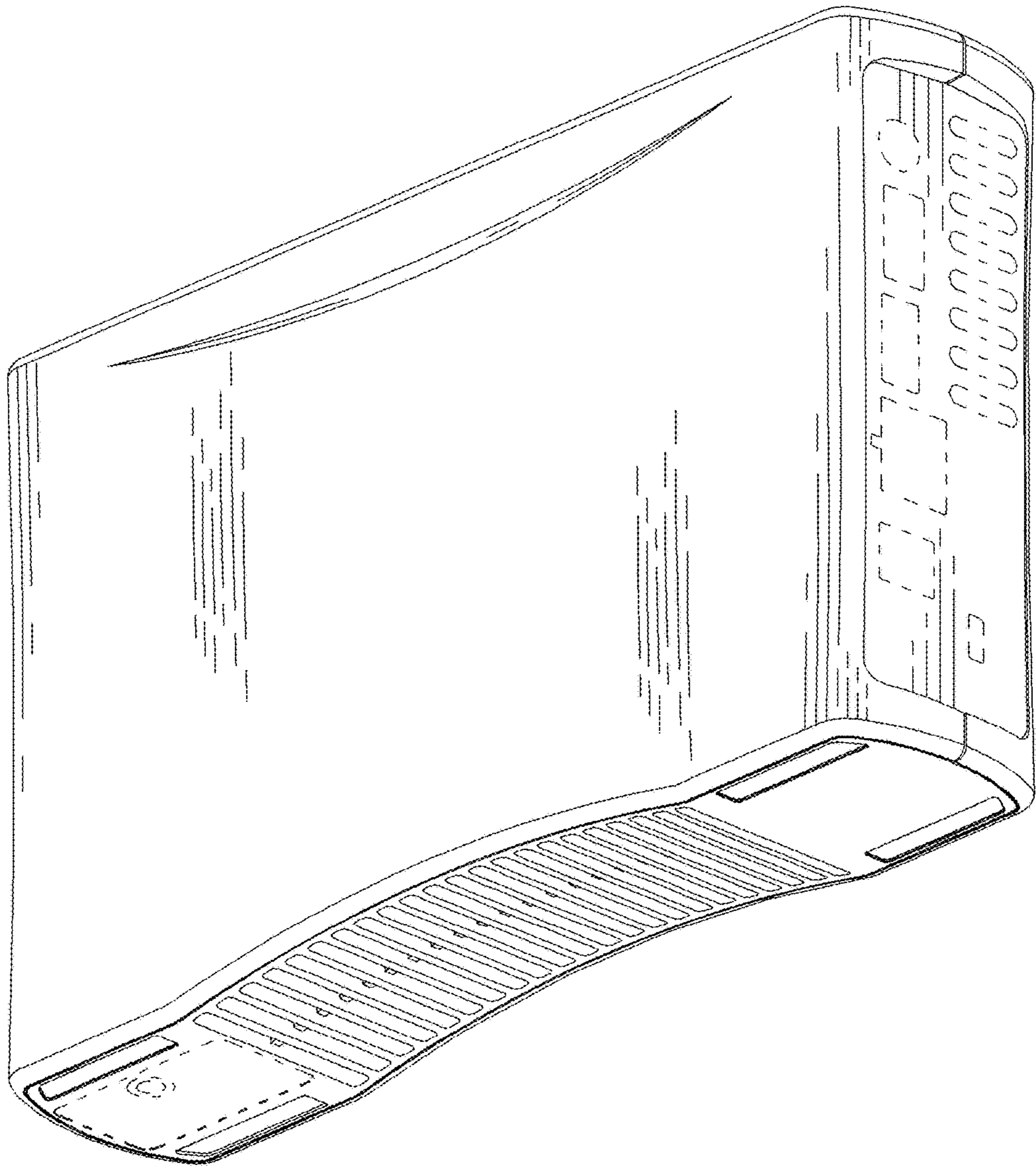


FIG. 8