



US00D824898S

(12) **United States Design Patent** (10) **Patent No.:** **US D824,898 S**
Xu (45) **Date of Patent:** **** Aug. 7, 2018**

(54) **TABLET COMPUTER**

(71) Applicant: **LENOVO (BEIJING) CO., LTD.,**
Beijing (CN)

(72) Inventor: **Jian Xu,** Beijing (CN)

(73) Assignee: **LENOVO (BEIJING) CO., LTD.,**
Beijing (CN)

(**) Term: **15 Years**

(21) Appl. No.: **29/556,101**

(22) Filed: **Feb. 26, 2016**

(30) **Foreign Application Priority Data**

Sep. 6, 2015 (CN) 2015 3 0339850

(51) **LOC (11) Cl.** **14-02**

(52) **U.S. Cl.**
USPC **D14/341**

(58) **Field of Classification Search**
USPC D14/253, 440, 203.1, 203.4, 203.7,
D14/341-347, 337, 374, 137, 138 AB,
D14/138 AA, 138 G, 138 R; D10/65;
D21/329, 330; D6/310
CPC G06F 3/016; G06F 3/0202; G06F 3/04845;
G06F 13/385; H04N 17/00; H04N 5/30;
H04N 5/66; H04N 5/2251; H04M 1/0214
See application file for complete search history.

(56) **References Cited**

U.S. PATENT DOCUMENTS

D271,764 S 12/1983 Toth
D331,725 S 12/1992 Mastoloni
D345,965 S 4/1994 Hankes
D437,243 S 2/2001 Cessac
6,388,660 B1 5/2002 Manser

(Continued)

OTHER PUBLICATIONS

Lenovo (Beijing) Co., Ltd.. "Tablet computer". Design U.S. Appl. No. 29/550,142, filed Dec. 30, 2015, not yet published; complete specification, drawings, and filling receipt are attached hereto.

(Continued)

Primary Examiner — Barbara Fox

(74) *Attorney, Agent, or Firm* — Oppedahl Patent Law Firm LLC

(57) **CLAIM**

The ornamental design for a tablet computer, as shown and described.

DESCRIPTION

FIG. 1 is a front elevation view of a tablet computer showing the new design;
FIG. 2 is a rear elevation view thereof;
FIG. 3 is a left side elevation view thereof;
FIG. 4 is a right side elevation view thereof;
FIG. 5 is a top plan view thereof;
FIG. 6 is a bottom plan view thereof;
FIG. 7 is a rear isometric view thereof;
FIG. 8 is a front elevation view with the stand being in an open position;
FIG. 9 is a rear elevation view thereof;
FIG. 10 is a left side elevation view thereof;
FIG. 11 is a right side elevation view thereof;
FIG. 12 is a top plan view thereof;
FIG. 13 is a bottom plan view thereof; and
FIG. 14 is a rear isometric view thereof.
FIG. 15 is a partial enlarge view of FIG. 1.
FIG. 16 is a partial enlarge view of FIG. 4.
FIG. 17 is a partial enlarge view of FIG. 2.
FIG. 18 is another partial enlarge view of FIG. 2; and
FIG. 19 is a partial enlarge view of FIG. 7.
The broken lines shown in the drawings illustrate portions of the tablet computer that form no part of the claimed design.

1 Claim, 14 Drawing Sheets

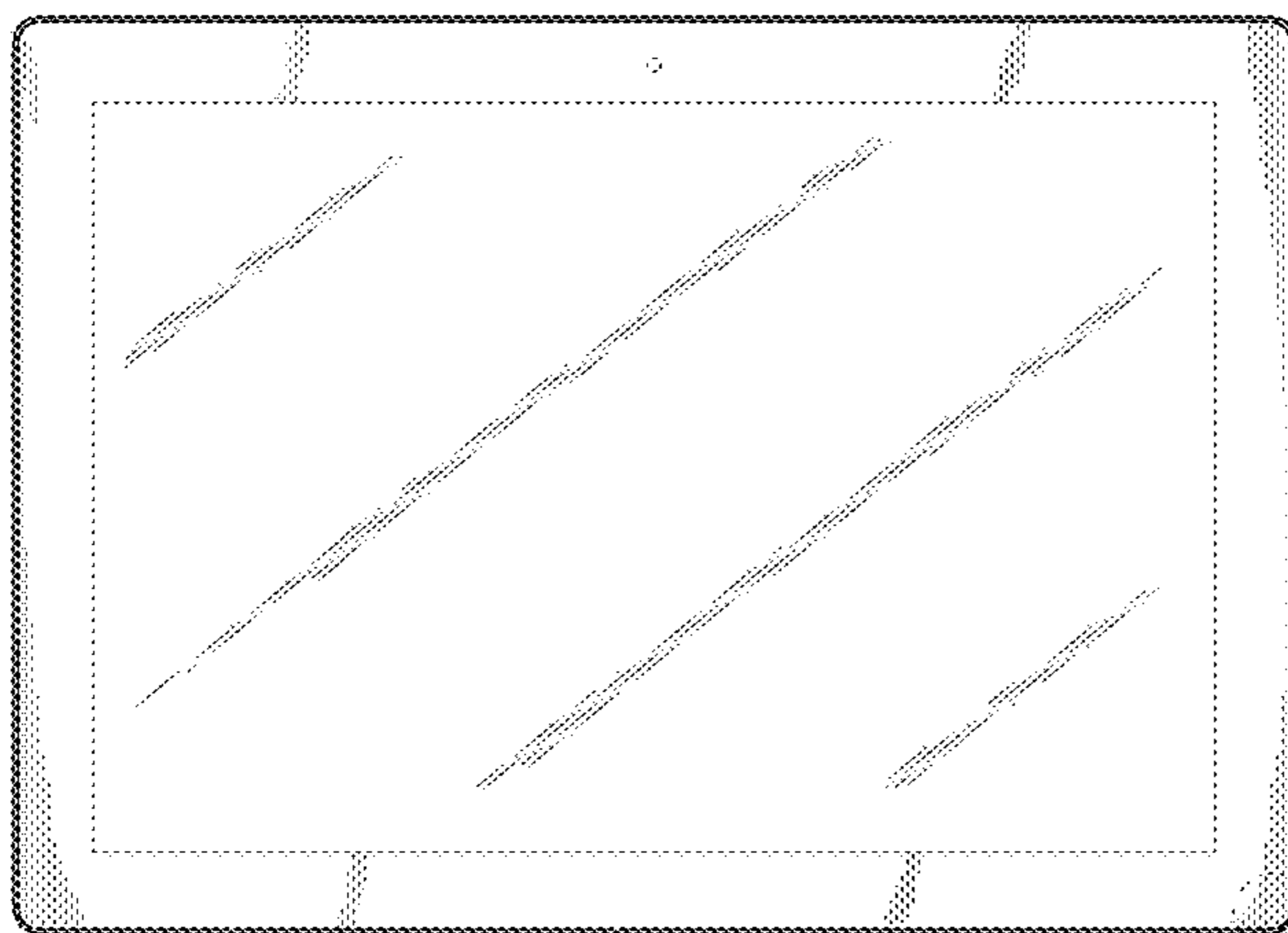
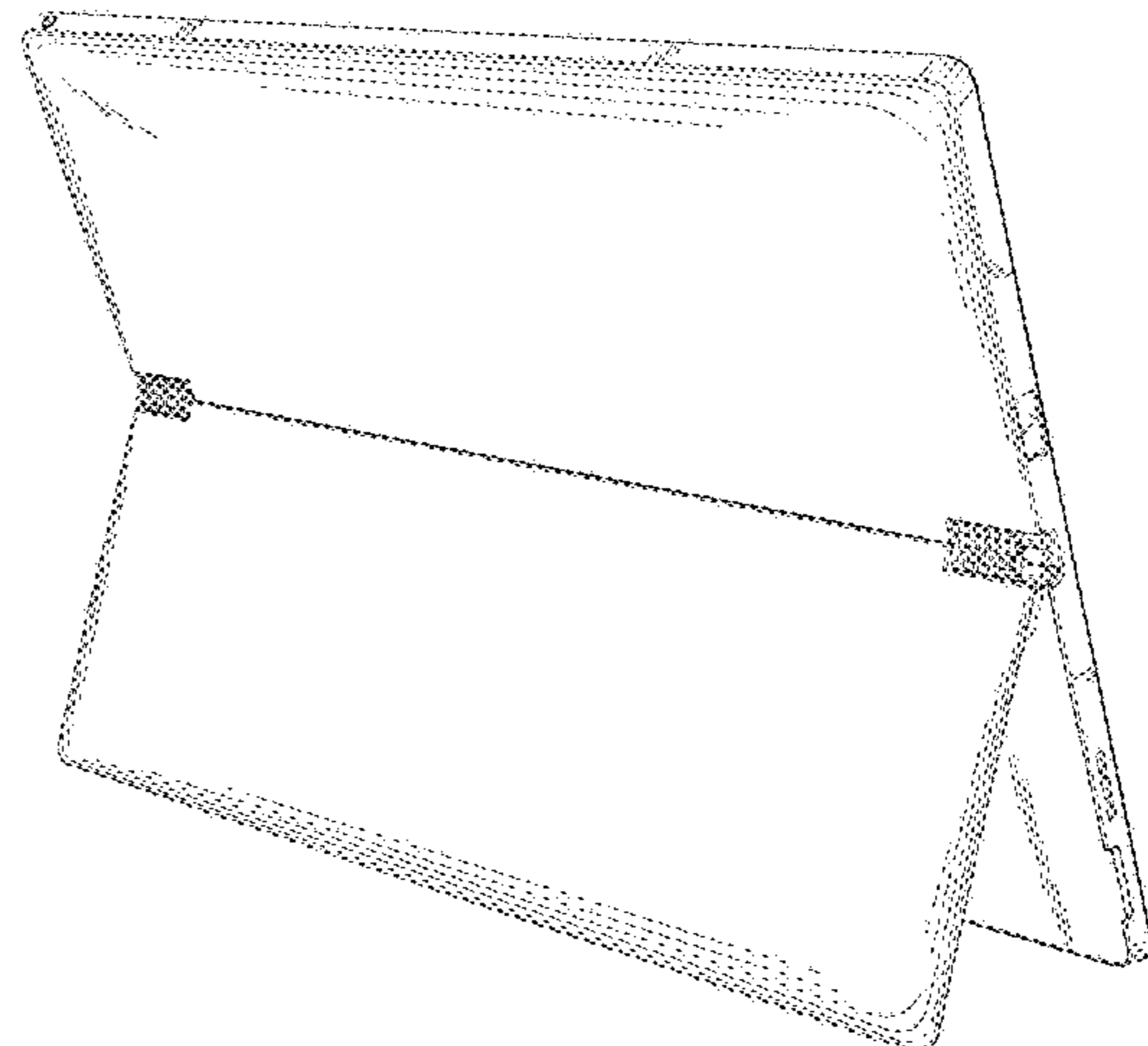


Fig.15



(56)

References Cited

U.S. PATENT DOCUMENTS

D482,693 S 11/2003 Nishio
 D485,411 S 1/2004 Valdez
 D499,718 S 12/2004 Chen
 D515,582 S 2/2006 Landau
 D531,526 S 11/2006 Barton
 D577,333 S 9/2008 Daniel
 7,540,624 B2 6/2009 Hull
 D637,924 S 5/2011 Boutwell
 7,946,103 B2 5/2011 So
 D676,768 S 2/2013 Eyring
 D677,660 S * 3/2013 Groene D14/341
 D678,272 S * 3/2013 Groene D14/341
 D678,877 S * 3/2013 Groene D14/341
 D691,575 S * 10/2013 Park D14/138 AD
 D691,980 S * 10/2013 Park D14/138 G
 D691,996 S * 10/2013 Ohshima D14/341
 D696,254 S * 12/2013 Groene D14/341
 D705,094 S 5/2014 Eyring
 D713,403 S * 9/2014 Groene D14/341
 D716,293 S * 10/2014 Hwang D14/341
 D720,688 S 1/2015 Popper
 D720,746 S * 1/2015 Chung D14/341
 D725,651 S * 3/2015 Green D14/341
 D727,315 S * 4/2015 Jensen D14/341
 9,025,321 B2 * 5/2015 Liang G06F 1/1669
 361/679.01
 D733,126 S * 6/2015 Sung D14/341
 D733,127 S * 6/2015 Sung D14/341
 D733,128 S * 6/2015 Seoc D14/341
 D736,202 S * 8/2015 Solomon D14/341
 D736,203 S * 8/2015 Kim D14/341
 D736,763 S * 8/2015 Yum D14/341
 D741,319 S * 10/2015 Yun D14/341
 9,164,551 B2 * 10/2015 Chen G06F 1/1669
 D743,961 S * 11/2015 Oh D14/341
 D745,510 S * 12/2015 Lee D14/341
 D745,511 S * 12/2015 Lee D14/336
 D748,001 S 1/2016 Delhotal
 D749,070 S * 2/2016 Oh D14/341
 D754,655 S * 4/2016 Groene D14/341
 9,317,072 B2 * 4/2016 Park G06F 1/1681

D757,712 S * 5/2016 Chae D14/341
 D757,715 S * 5/2016 Choi D14/341
 9,436,229 B2 * 9/2016 Yoo G06F 1/1637
 D777,053 S 1/2017 Atwell
 D780,174 S * 2/2017 Park D14/341
 D781,848 S * 3/2017 Kim D14/341
 D782,469 S * 3/2017 Raken D14/341
 D782,470 S * 3/2017 Raken D14/341
 D784,980 S 4/2017 Lin
 D789,356 S * 6/2017 Cebe D14/315
 2005/0052831 A1 * 3/2005 Chen G06F 1/1616
 361/679.11
 2010/0081973 A1 4/2010 Tsai
 2011/0192857 A1 8/2011 Rothbaum
 2014/0028243 A1 1/2014 Rayner
 2014/0185218 A1 * 7/2014 Chen G06F 1/1669
 361/679.09
 2015/0365124 A1 * 12/2015 Choi H04L 31/3888
 455/575.8
 2016/0370828 A1 12/2016 Hsu
 2016/0370829 A1 12/2016 Hsu

OTHER PUBLICATIONS

Ideapad Miix 700, announced 2017 [online], [site visited Jul. 10, 2017] Available from URL: <<http://www3.lenovo.com/pt/pt/laptops/ideapad/miix-series/IdeaPad-Miix-700/p/88IPMX70637>>.
 Ammo Eva Bullet Dart Holder, announced 2017, [site visited Jul. 10, 2017] Available from Internet URL: <<http://www.dngate.com/product/ammo-eva-bullet-dart-holder-carrier-bandolier/400787403.html#se1-2-lb:price|1266961191>>.
 Metal Dowel Pin, announced 2017, [site visited Jul. 10, 2017] Available from Internet URL: <<http://www.nutsboltsandboyond.com/item/2259596/>>.
 YDTech Precision Dowel Pins, announced 2012 [online], [site visited Jul. 21, 2017] Available from Internet URL: <<http://bearing-needle.com/2STEEL-D OW EL-PINS-METAL-DOWELS- H OLE-PINS-BRASS.htm>>.
 Tri-wood Peg Toy, announced Mar. 10, 2009 [online], [site visited Jul. 24, 2017] Available from Internet URL: <<https://www.etsy.com/listing/22115745/tri-wood-peg-board-infanttoddler-toy>>.

* cited by examiner

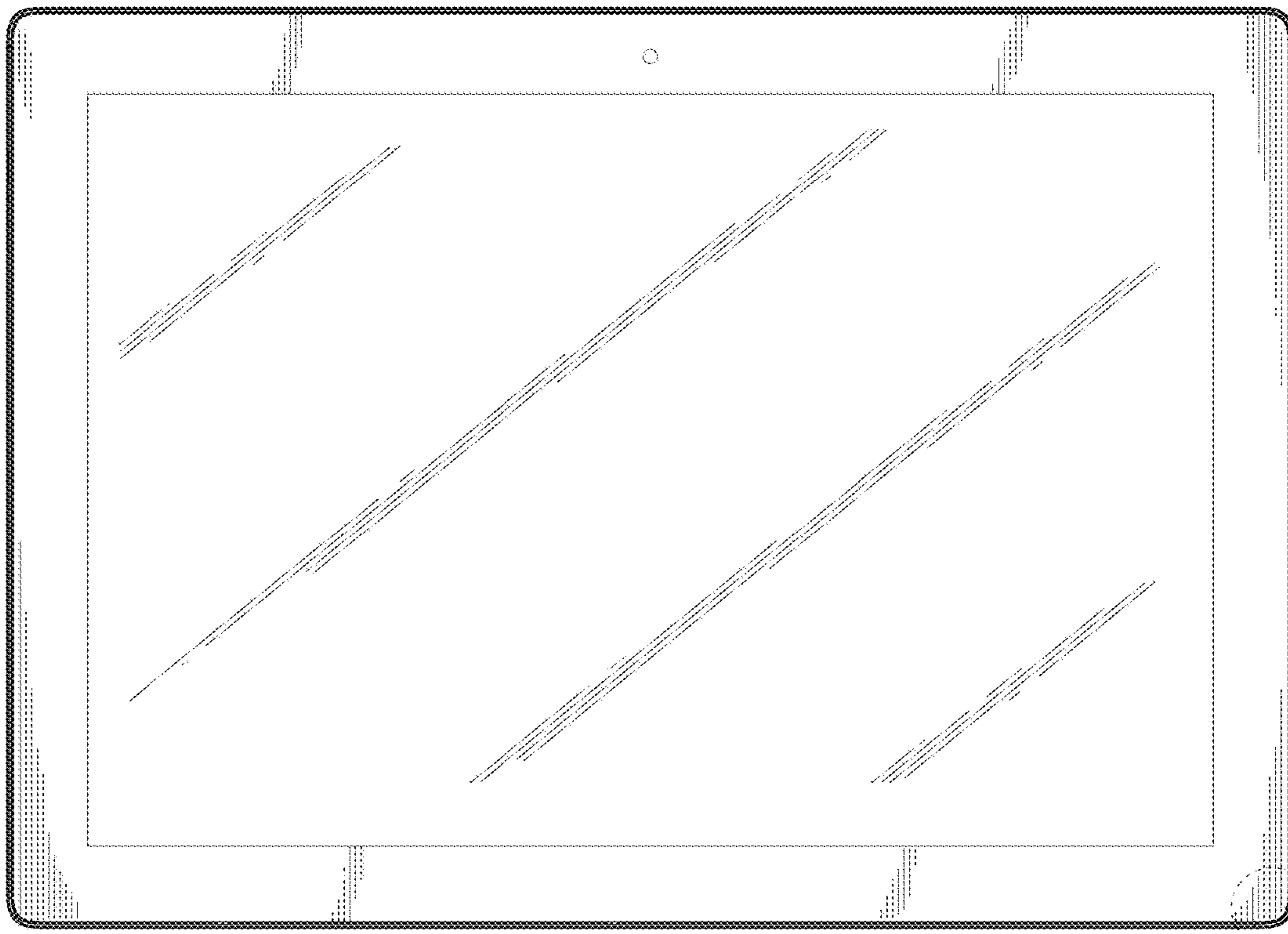


Fig.1

Fig.15

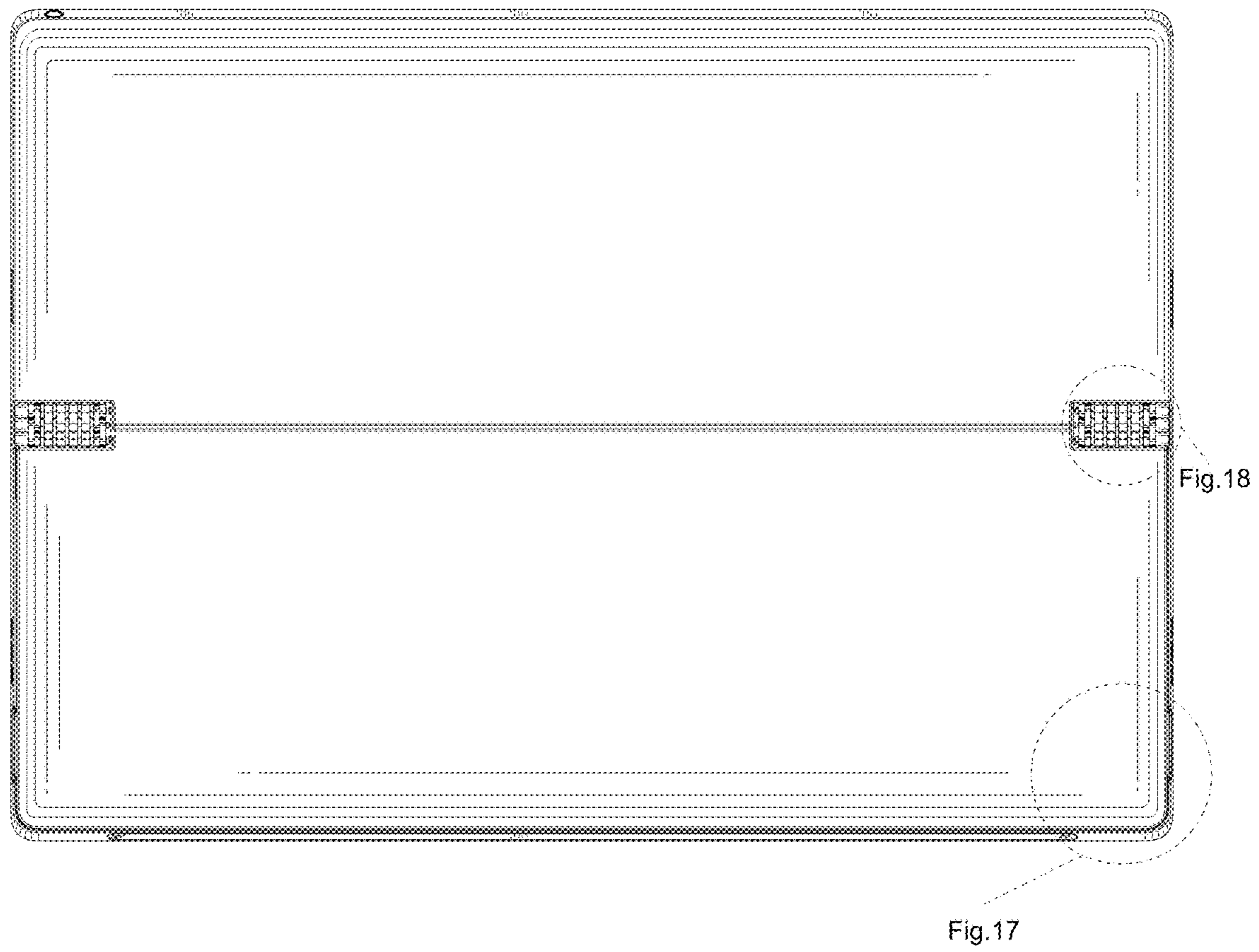


Fig.2

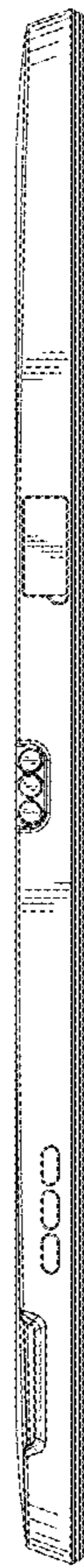


Fig.3

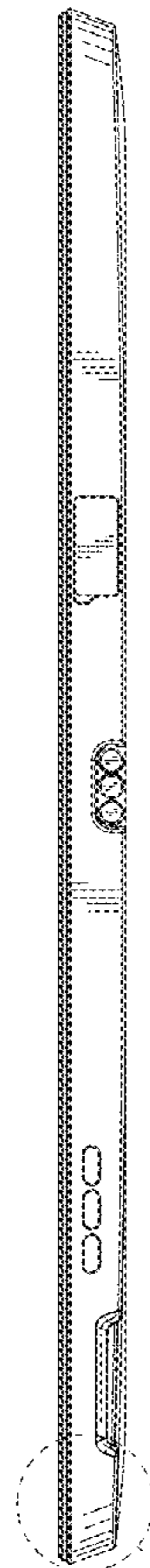


Fig.16

Fig.4



Fig.5



Fig.6

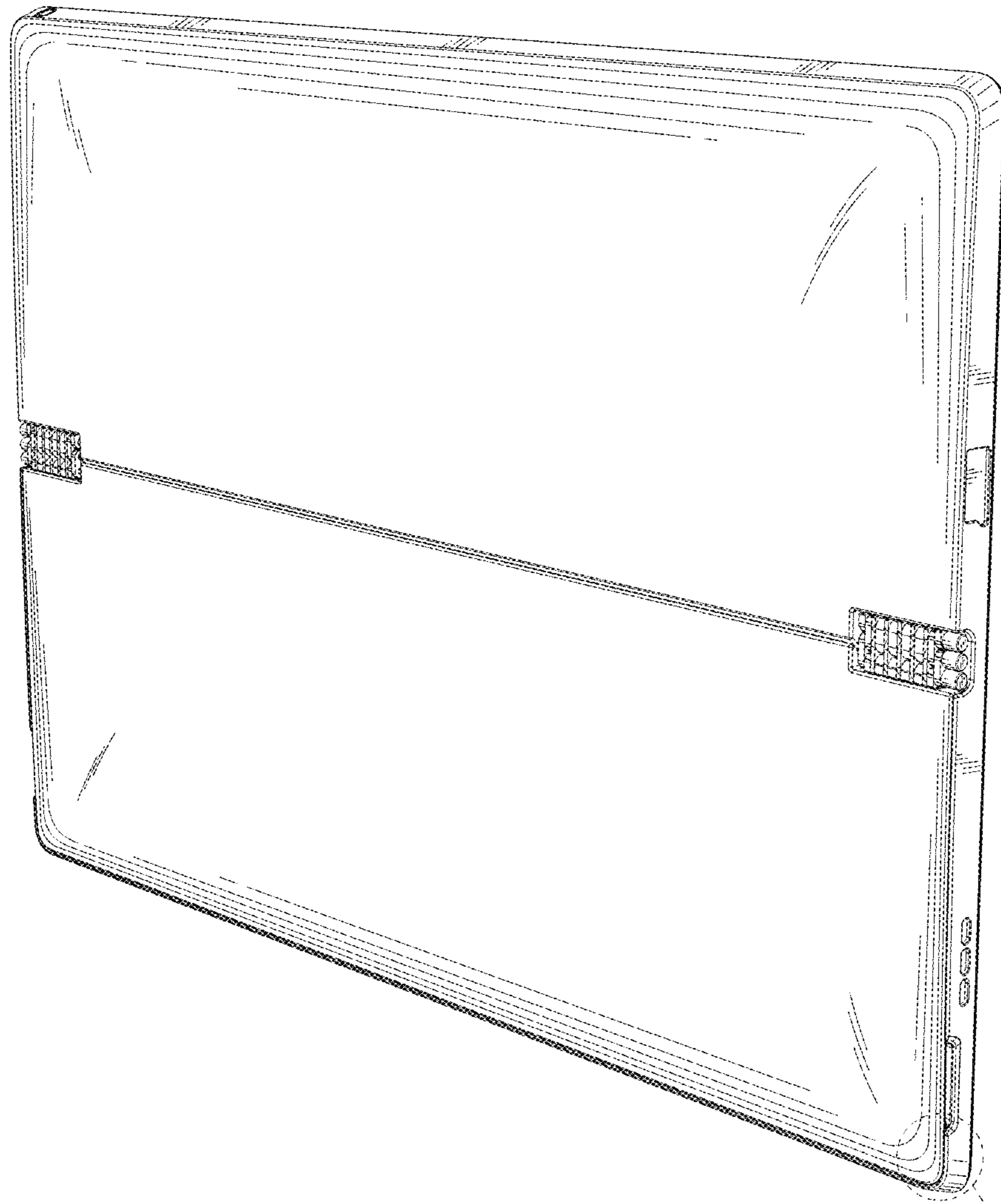


Fig.7

Fig.19

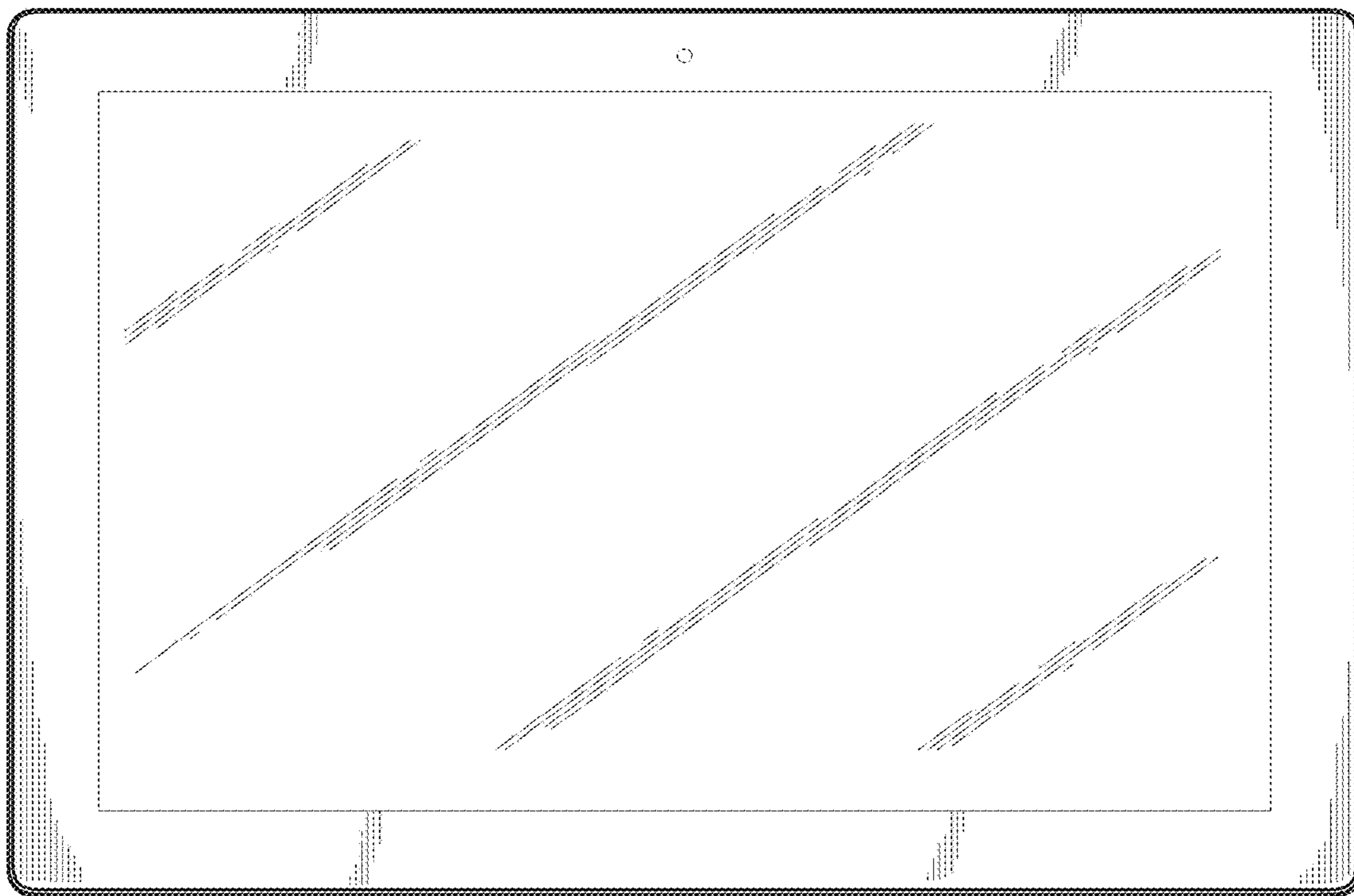


Fig.8

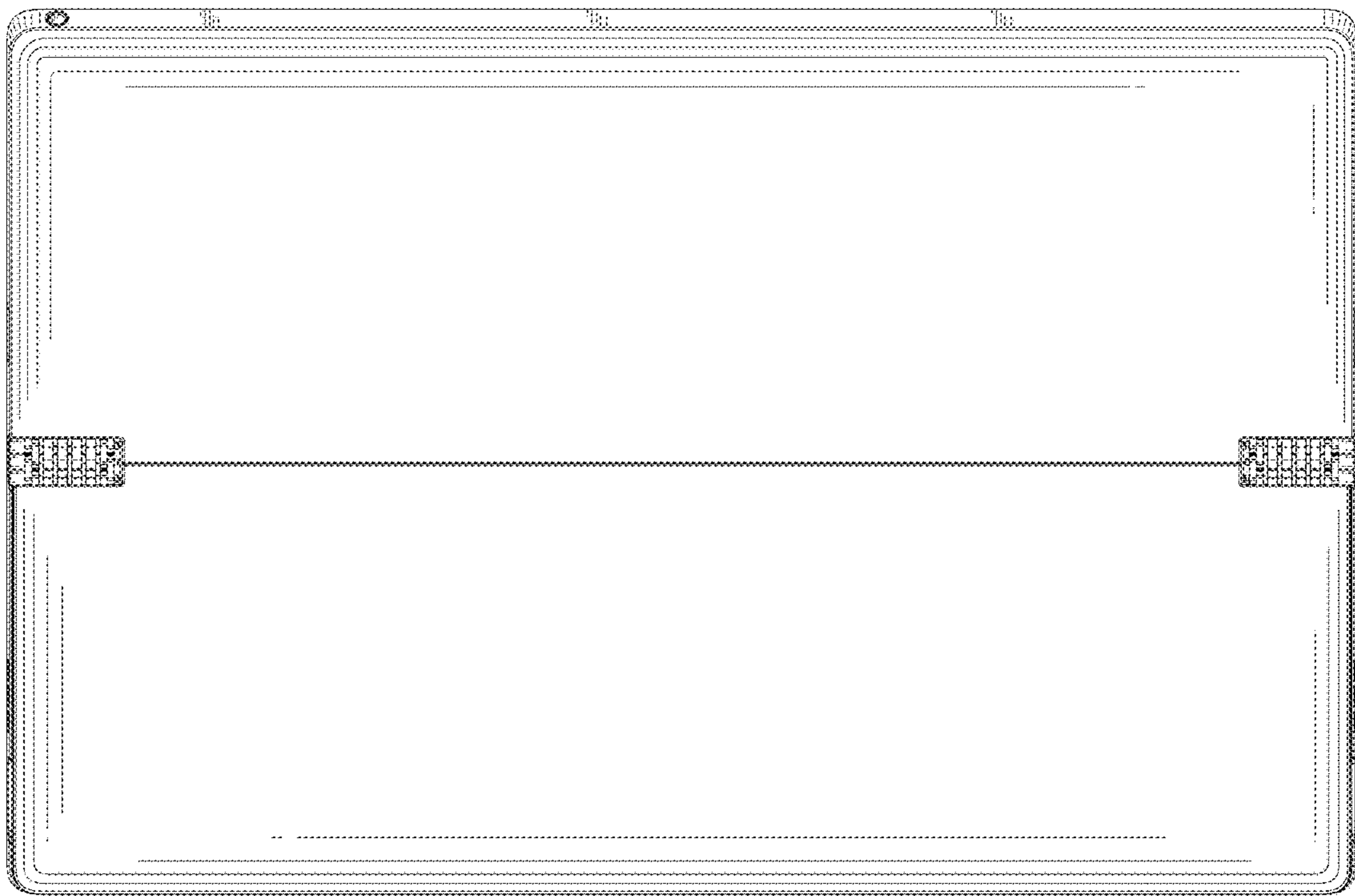


Fig. 9

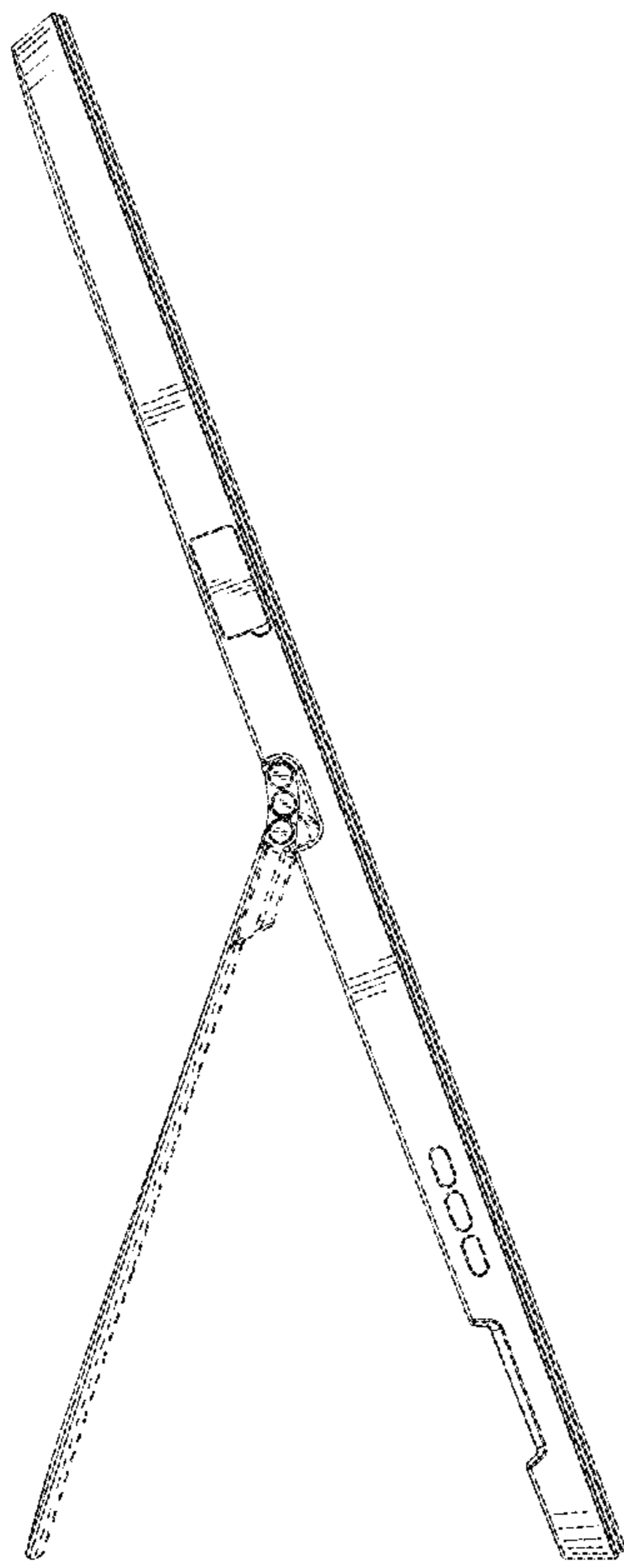


Fig.10

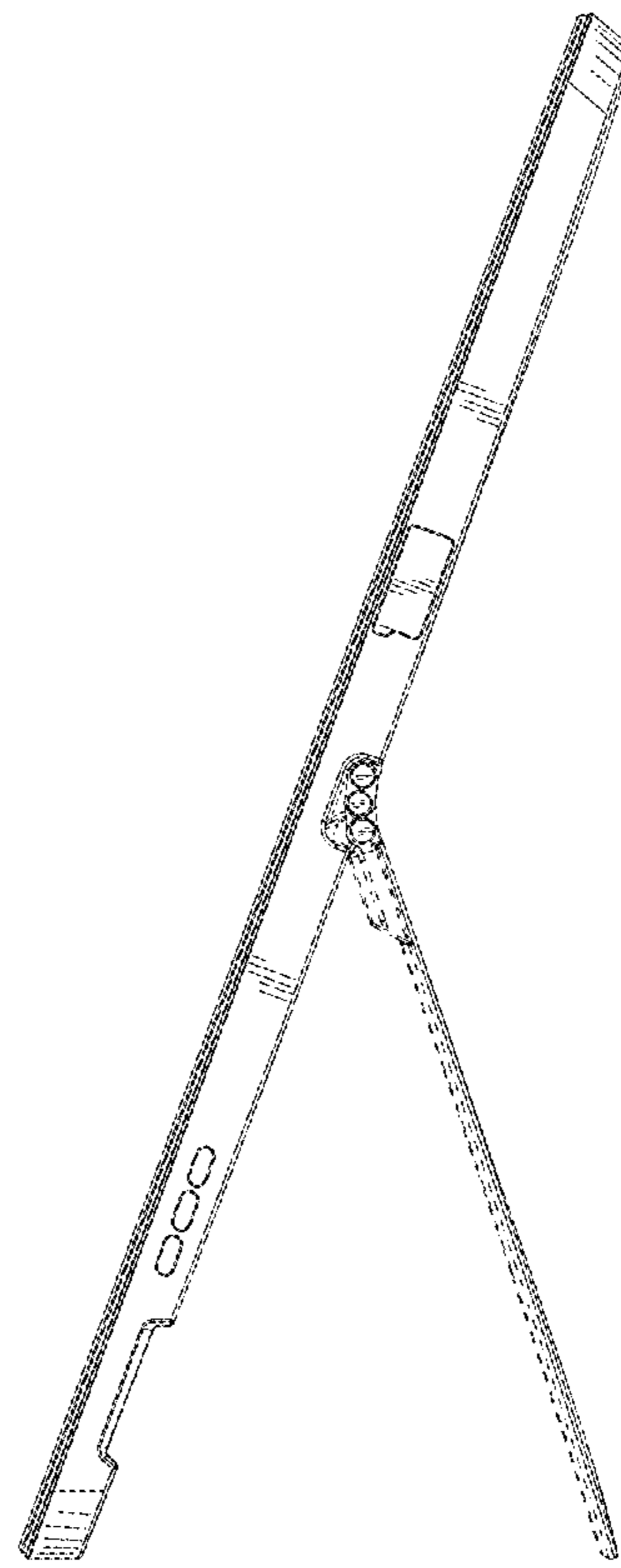


Fig.11

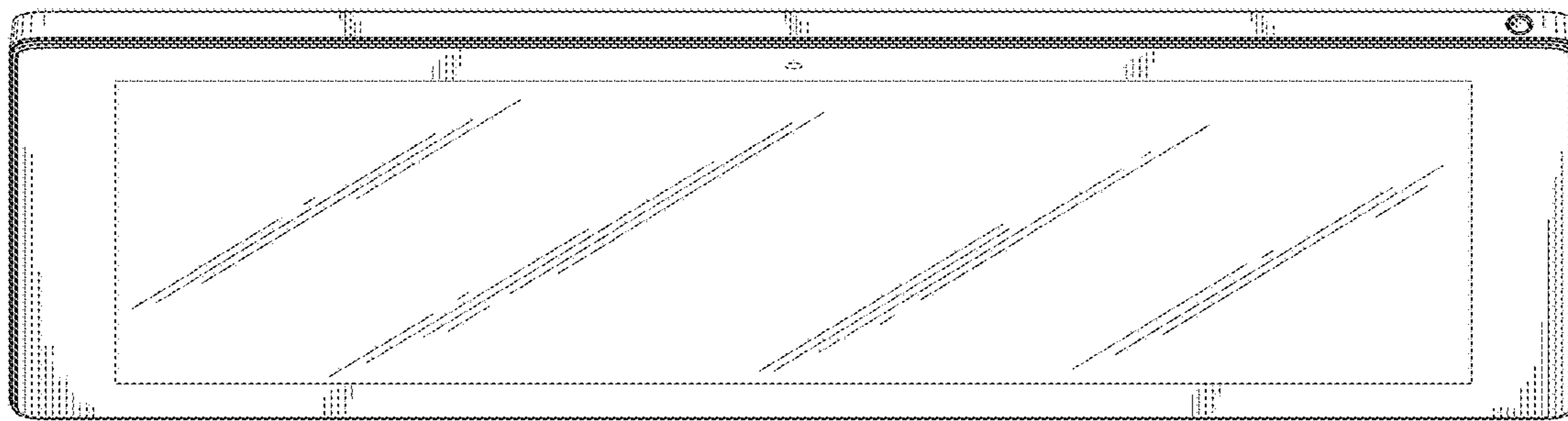


Fig.12

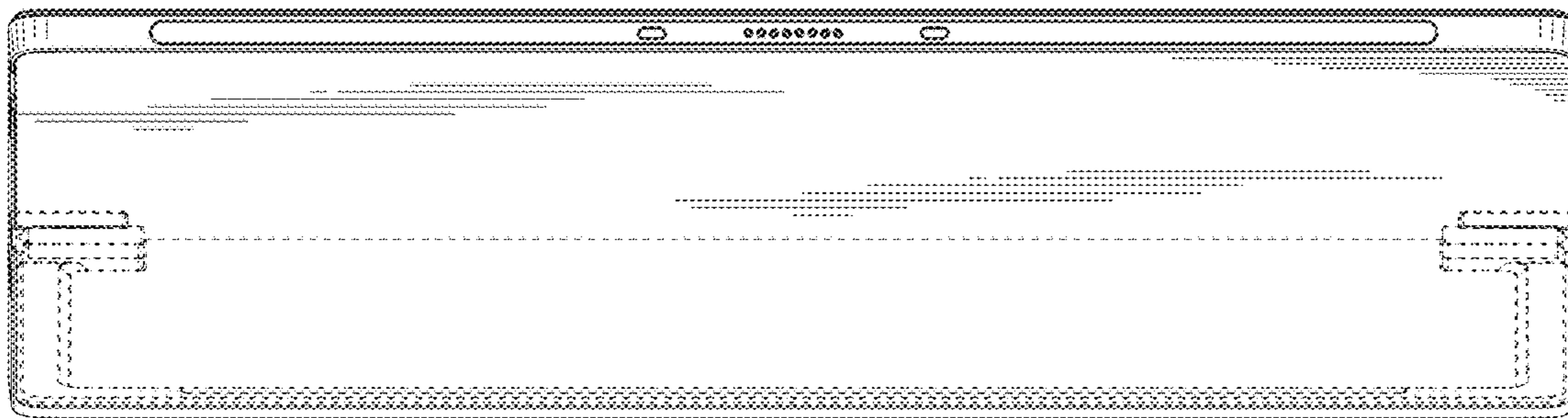


Fig.13

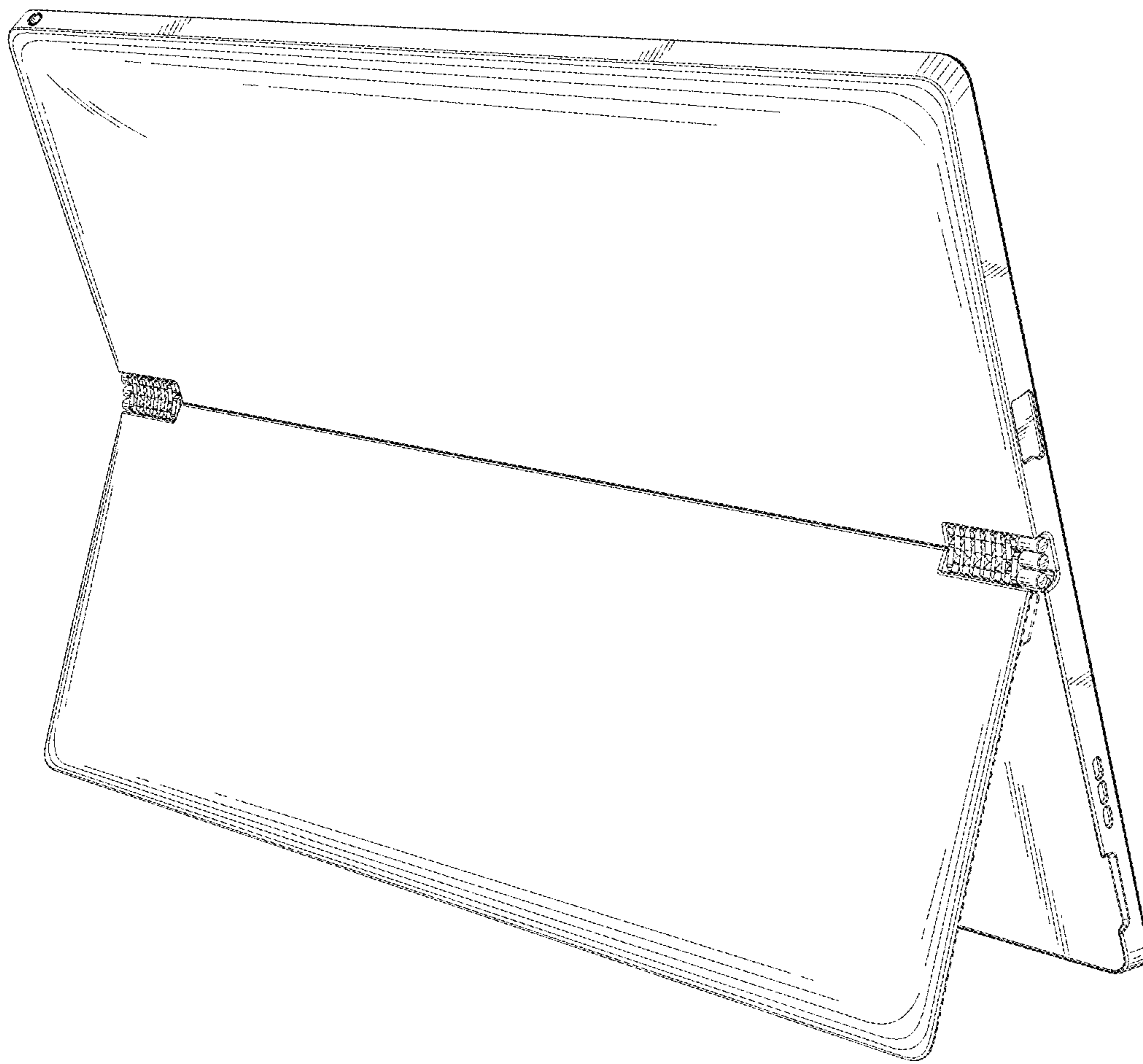


Fig.14

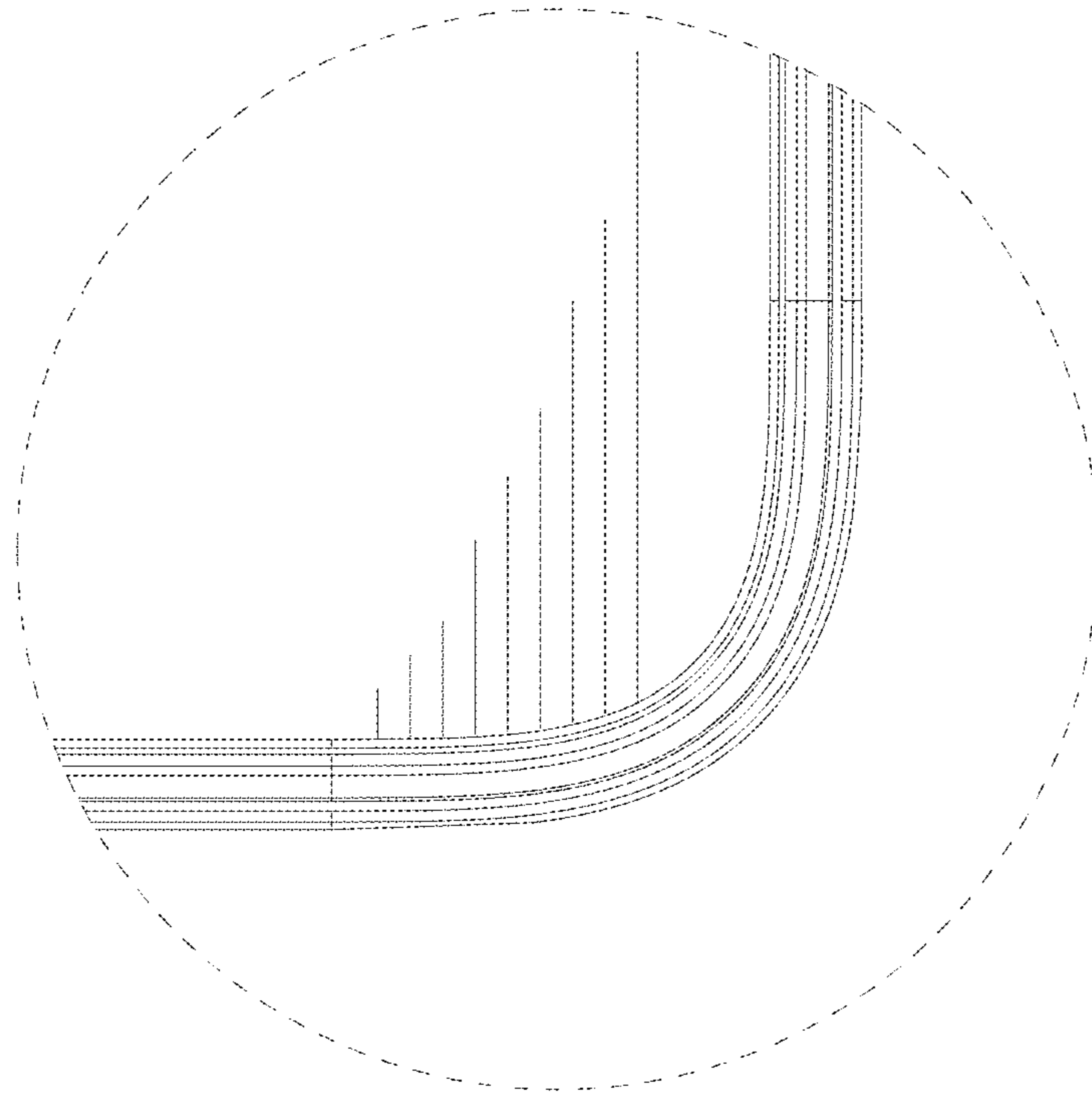


Fig.15

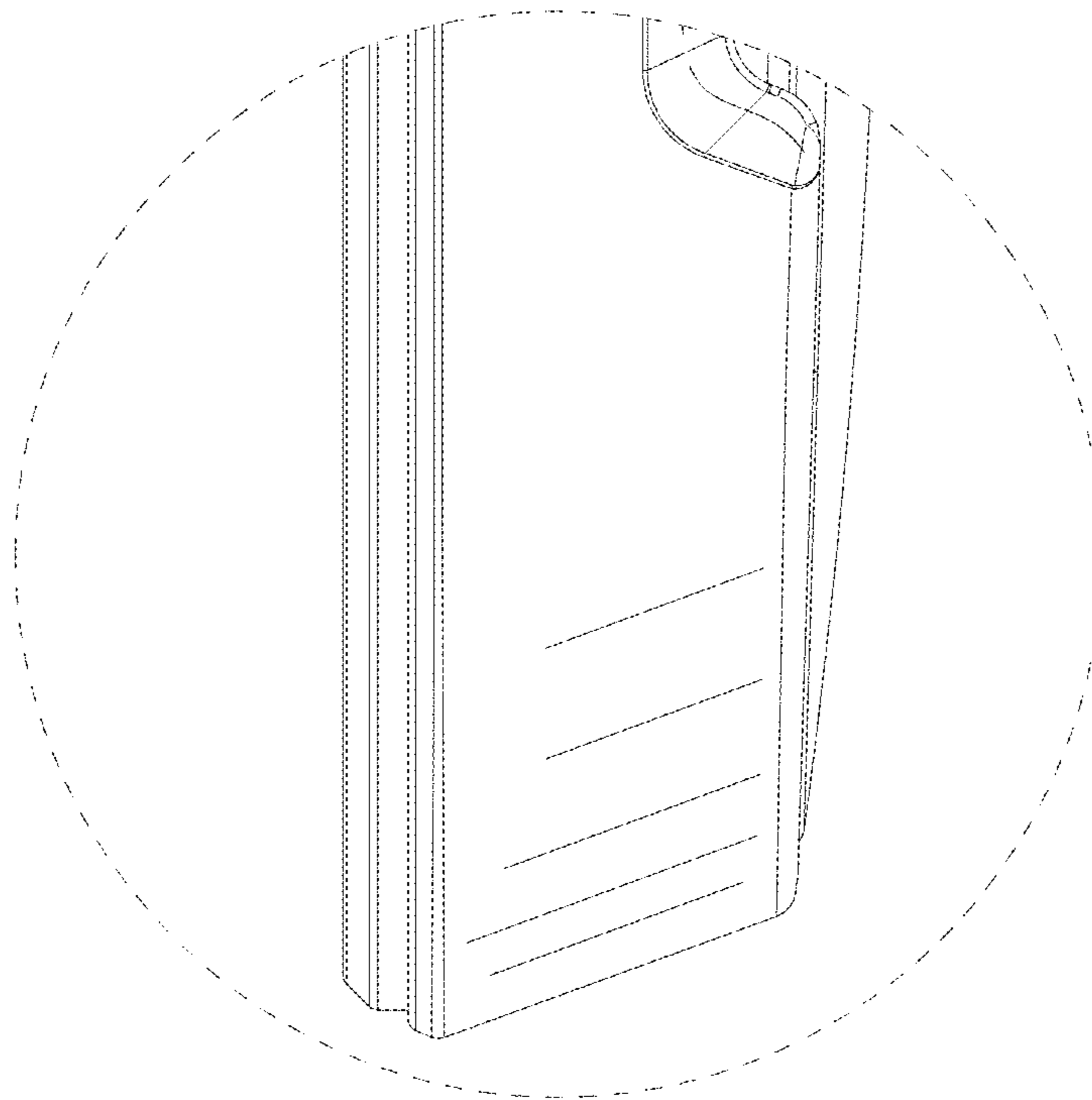


Fig.16

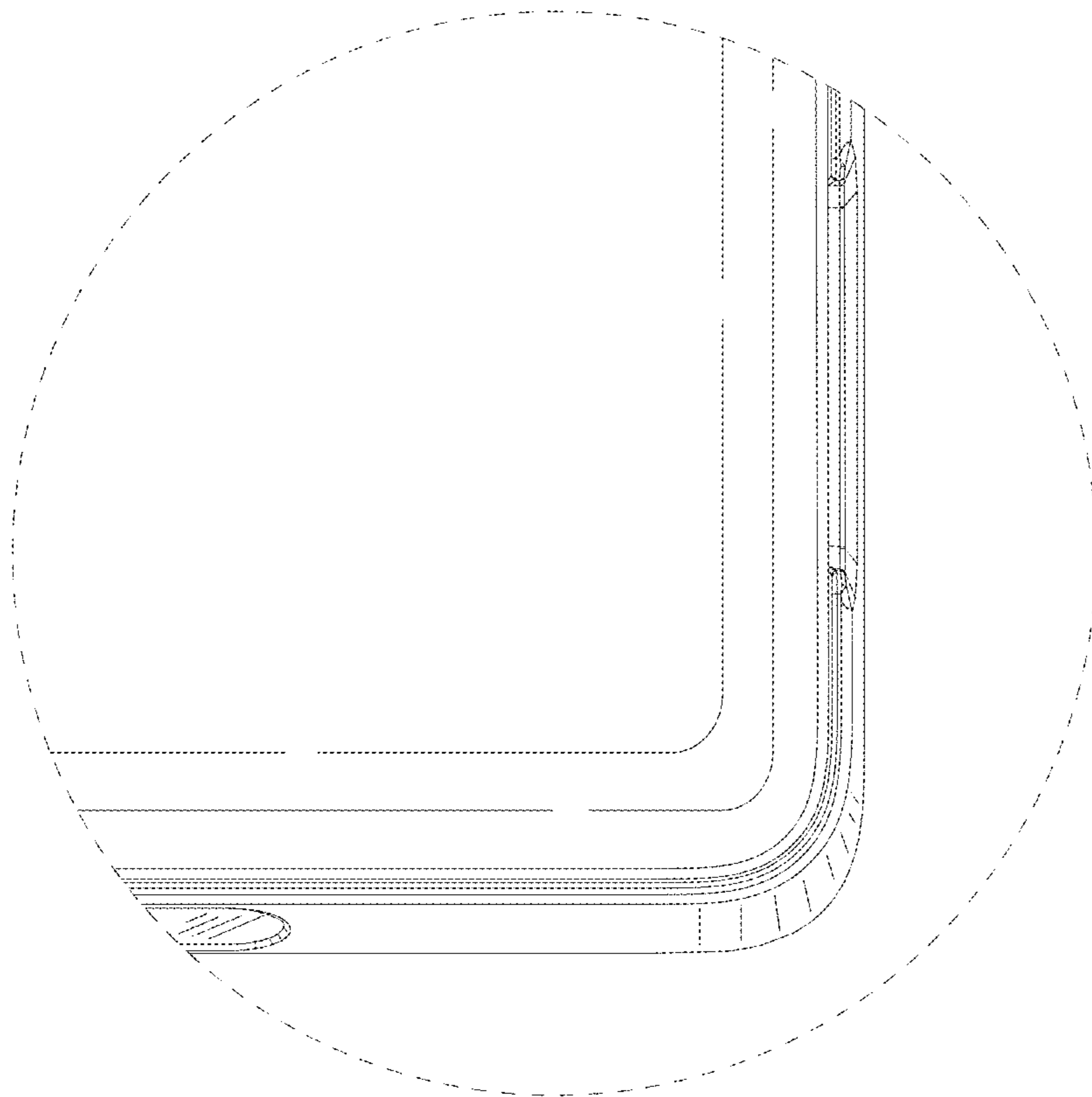


Fig.17

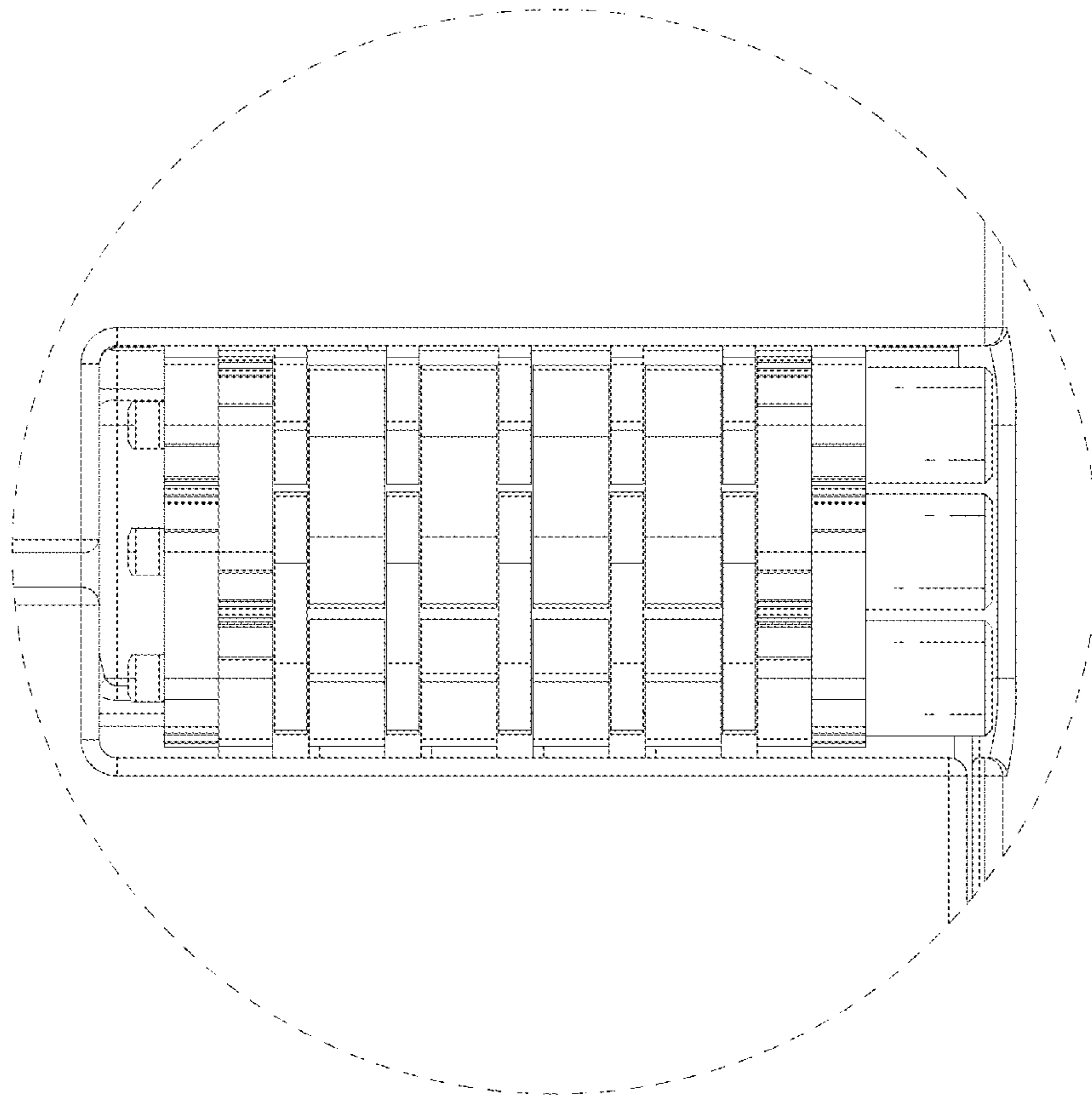


Fig.18

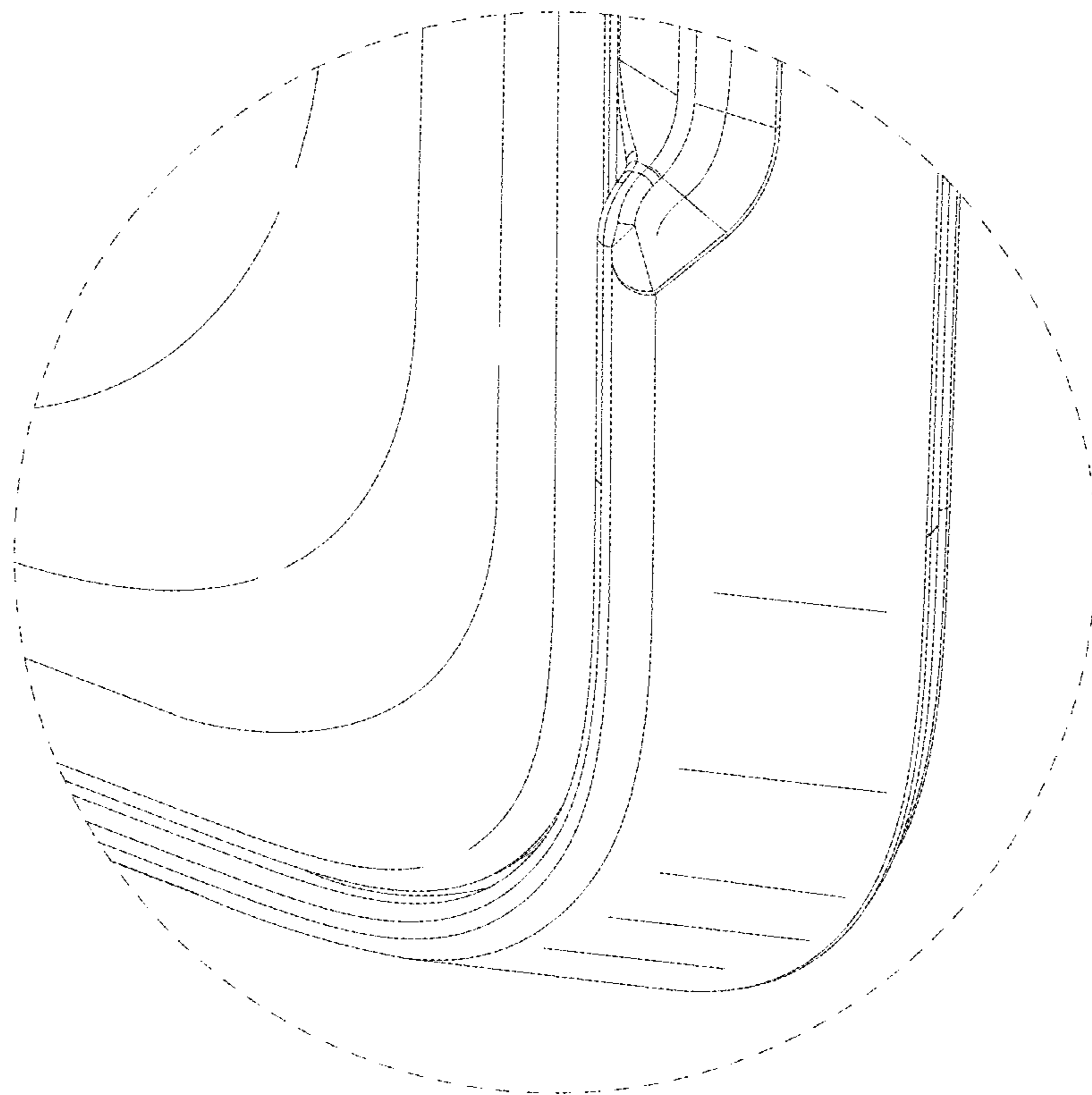


Fig. 19