



US00D824896S

(12) **United States Design Patent**
Merbeth

(10) **Patent No.:** **US D824,896 S**

(45) **Date of Patent:** **** Aug. 7, 2018**

(54) **COMPUTER CASE**

(71) Applicant: **Scott P. Merbeth**, Pewaukee, WI (US)

(72) Inventor: **Scott P. Merbeth**, Pewaukee, WI (US)

(**) Term: **15 Years**

(21) Appl. No.: **29/612,716**

(22) Filed: **Aug. 3, 2017**

(51) **LOC (11) Cl.** **14-02**

(52) **U.S. Cl.**
USPC **D14/314**

(58) **Field of Classification Search**
USPC D14/240, 300, 301, 308, 313, 314,
D14/348-356, 363-368, 441-446, 188;
D13/123, 158, 162, 184, 199;
312/223.1-223.3, 351.11;
360/99.01-99.12; 369/34.01-36.01;
361/679.31-679.33, 679.37, 679.39,
361/679.46, 679.53, 679.4, 679.41, 727
CPC . G06F 1/20; G06F 1/181; G06F 1/187; G06F
1/183; G06F 1/184; G06F 1/16; H05K
7/16; H05K 7/1424; H05K 7/1409; H05K
7/20; H05K 7/20545; H05K 7/20727;
H05K 7/1425; H05K 7/1488; H05K
7/183; H05K 7/14; H05K 5/00; H05K
7/00; H05H 7/20; G11B 33/126; G11B
33/128; G11B 33/08; G11B 33/02

See application file for complete search history.

(56) **References Cited**

U.S. PATENT DOCUMENTS

D264,969	S	*	6/1982	McGourty	D13/184
5,845,978	A		12/1998	Jung		
5,931,550	A		8/1999	Chen		
D455,422	S	*	4/2002	Bath	D14/301
D475,046	S	*	5/2003	Chang	D14/300
D647,087	S	*	10/2011	Chen	D14/348
D681,035	S	*	4/2013	Wang	D14/366
D696,242	S	*	12/2013	Chen	D14/314

* cited by examiner

Primary Examiner — Freda S Nunn

(74) *Attorney, Agent, or Firm* — Donald J. Ersler

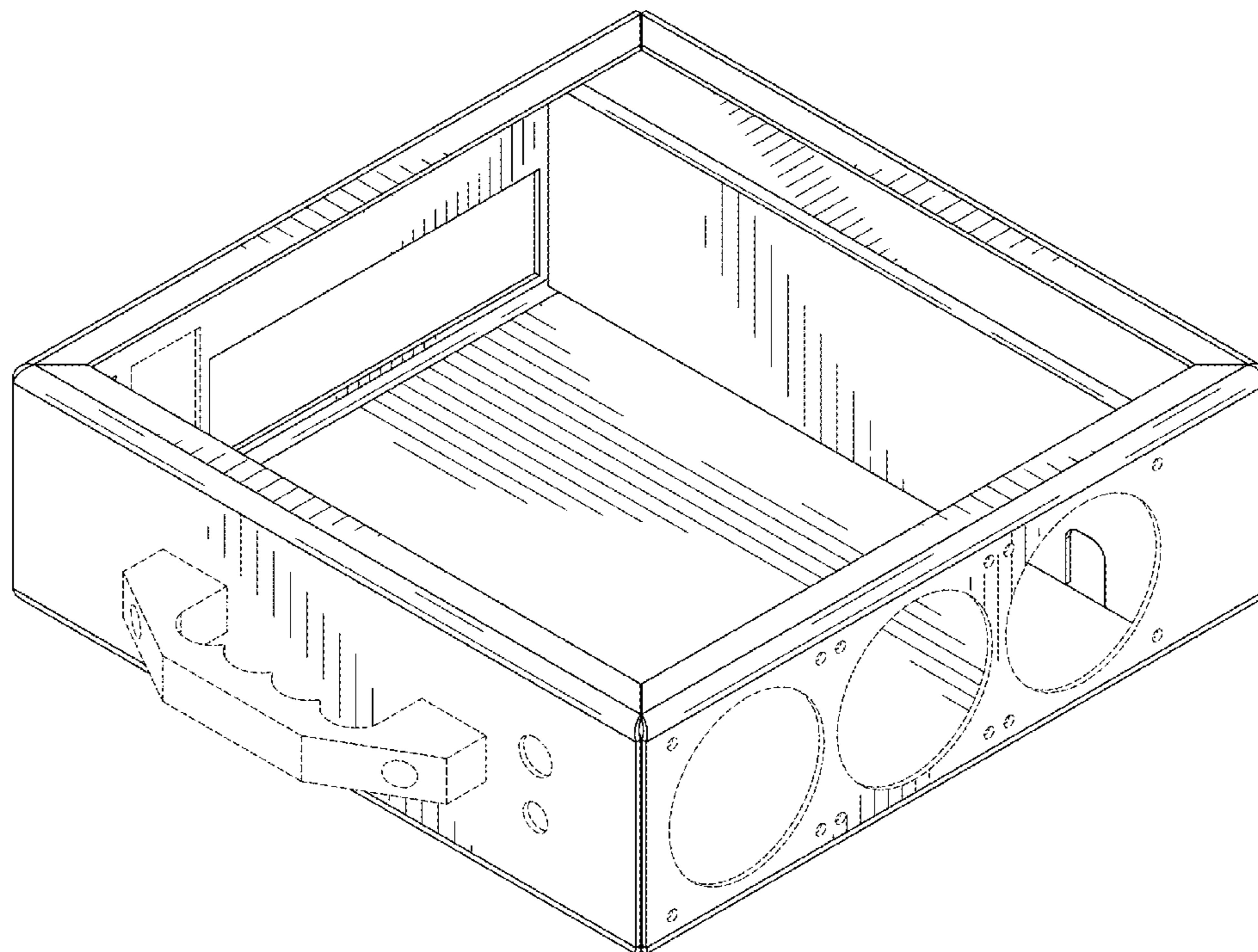
(57) **CLAIM**

The ornamental design for a computer case, as shown and described.

DESCRIPTION

FIG. 1 is a top perspective view of a computer case incorporating my new design;
FIG. 2 is a bottom perspective view thereof;
FIG. 3 is a top plan view thereof;
FIG. 4 is a bottom plan view thereof;
FIG. 5 is a right side view thereof;
FIG. 6 is a left side view thereof;
FIG. 7 is a front view thereof; and,
FIG. 8 is a rear view thereof.
The broken lines shown in the drawings illustrate portions of the computer case that forms no part of the claimed invention.

1 Claim, 6 Drawing Sheets



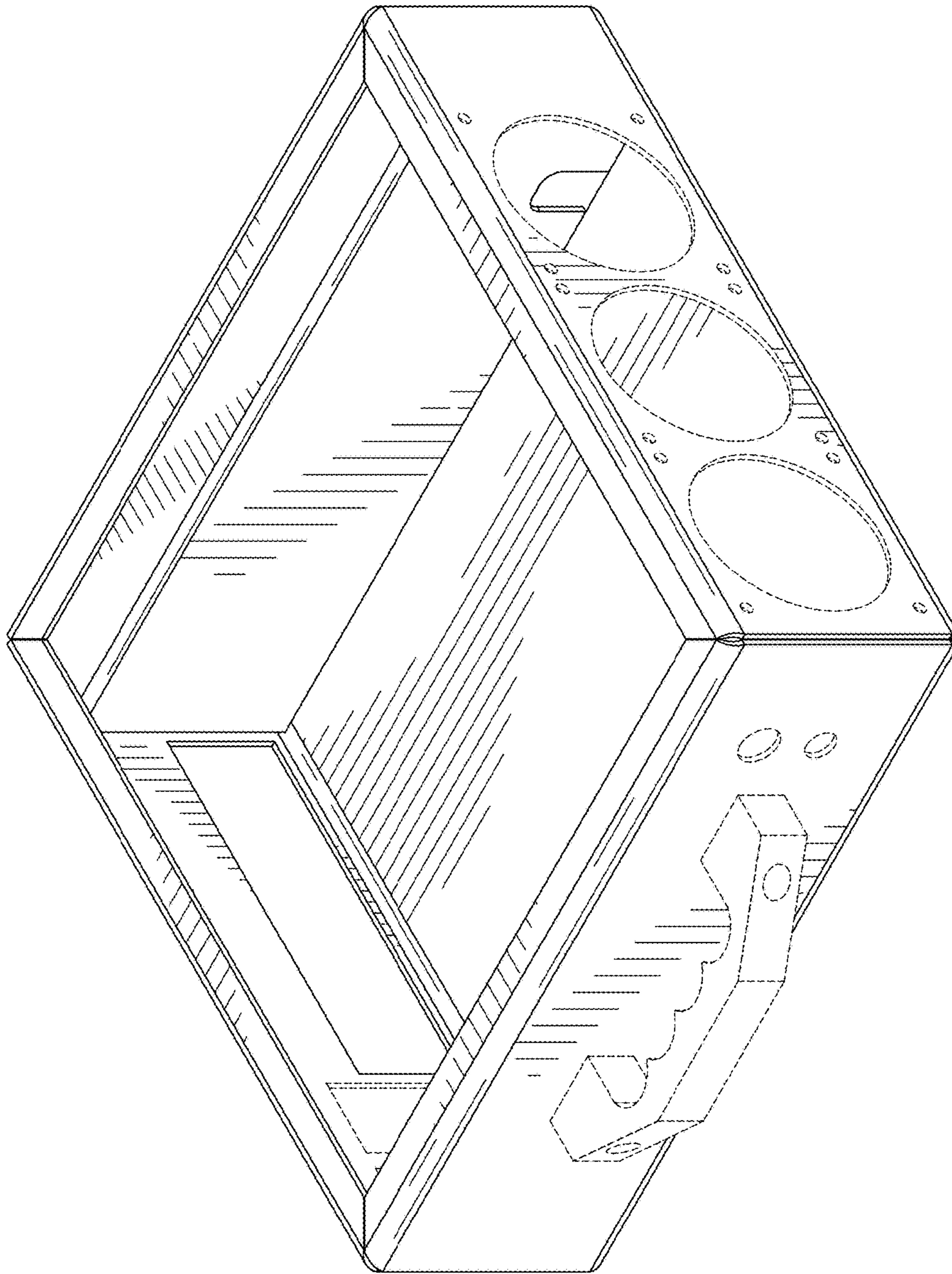


FIG. 1

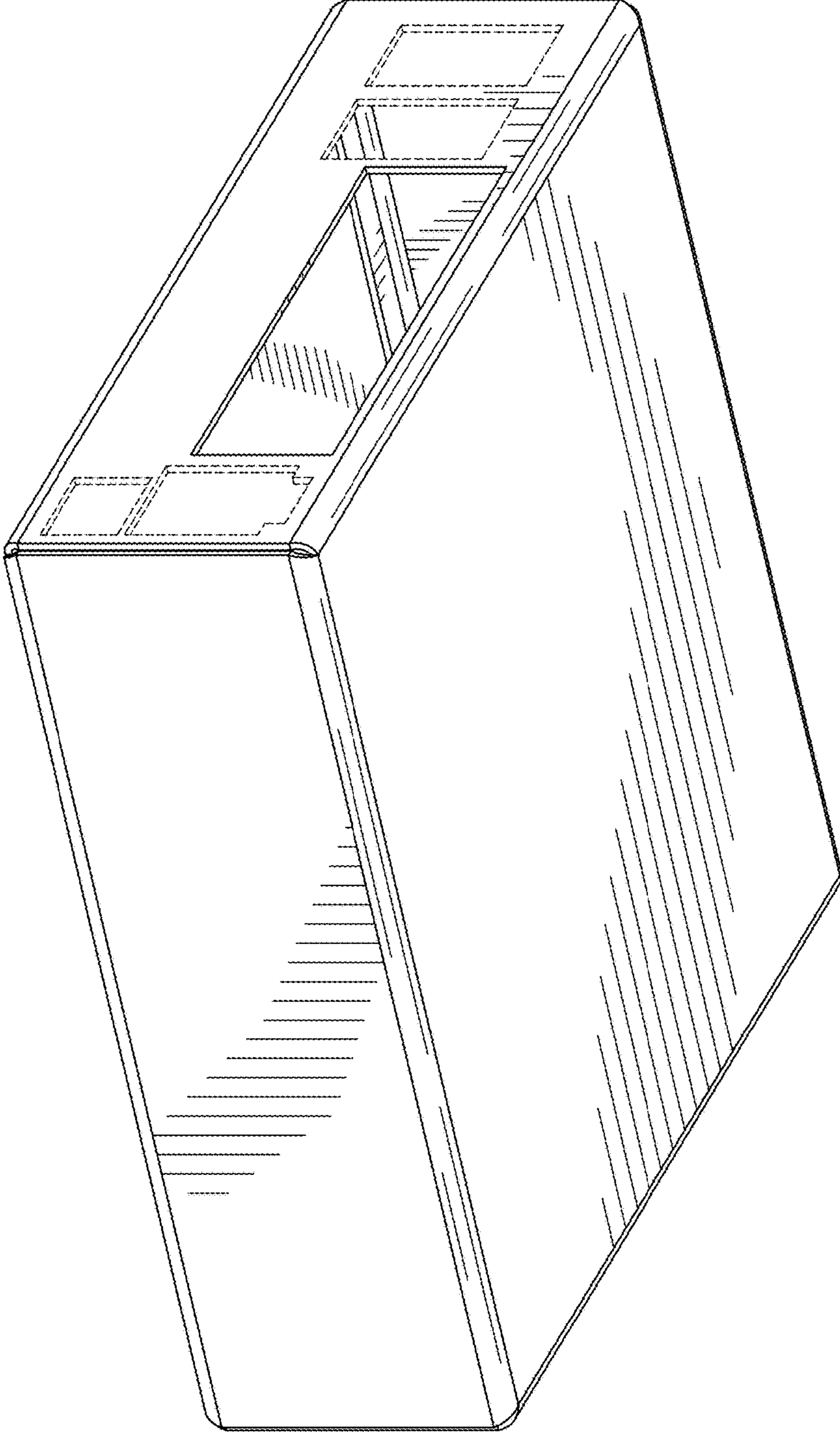


FIG. 2

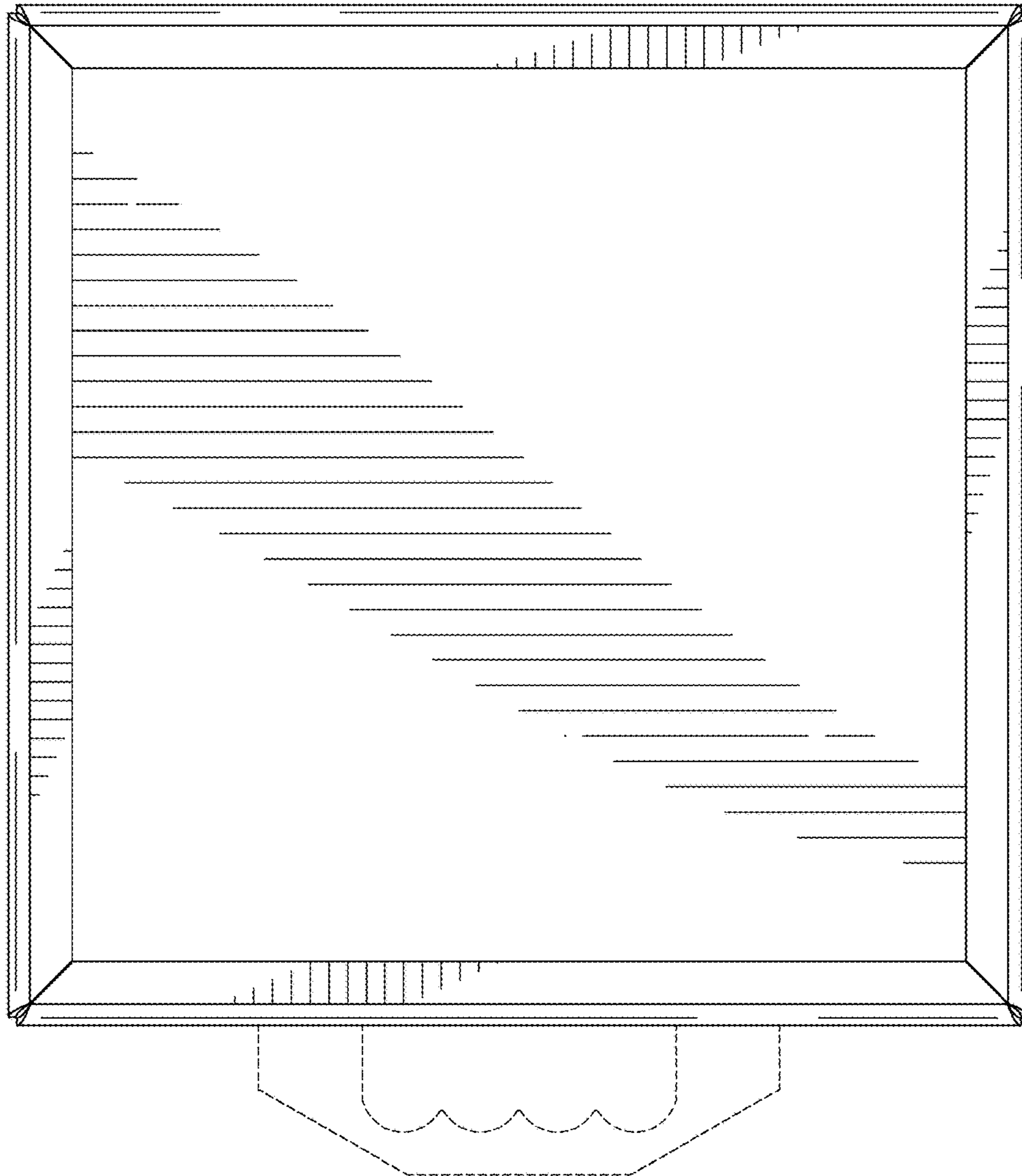


FIG. 3

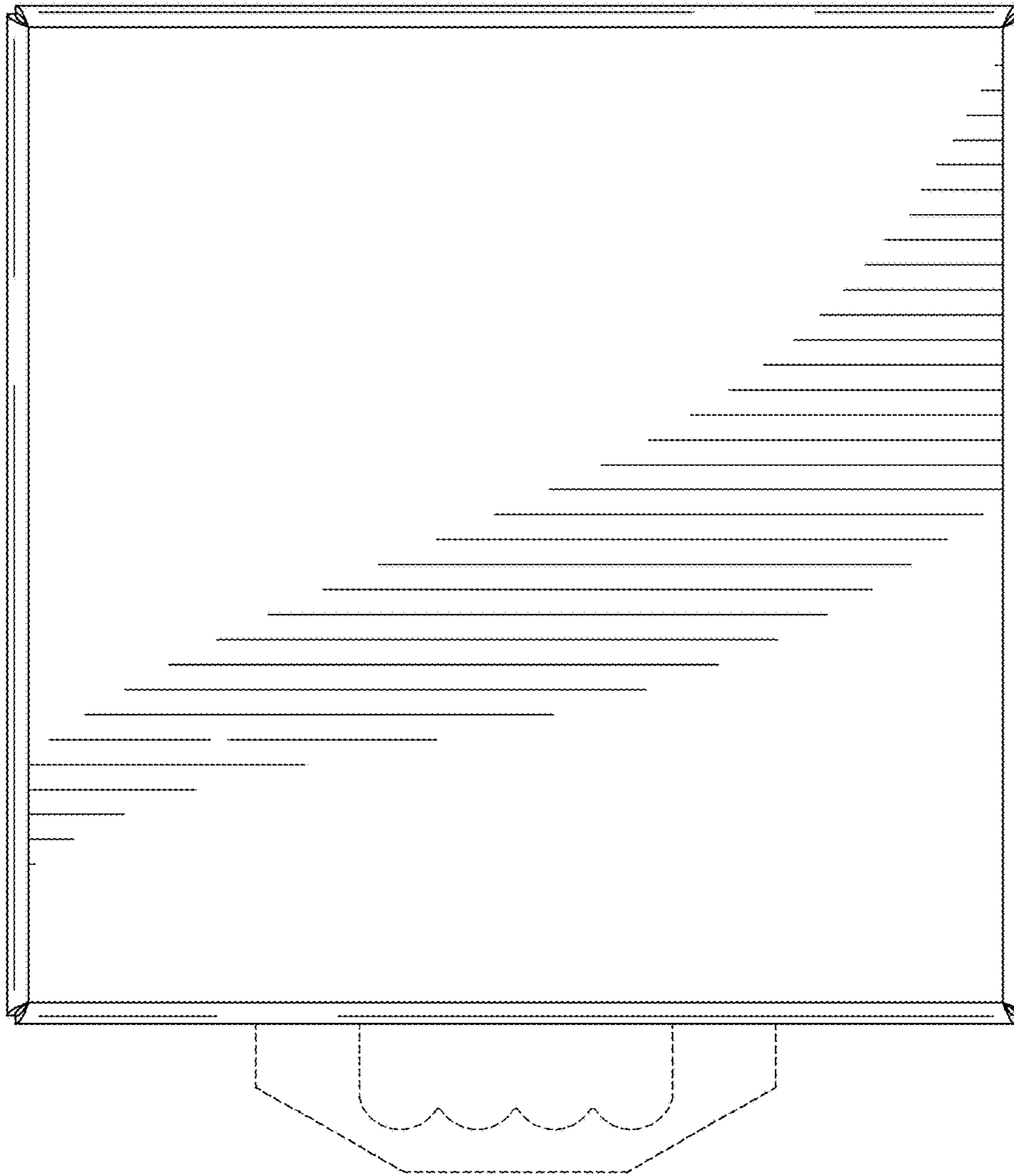


FIG. 4

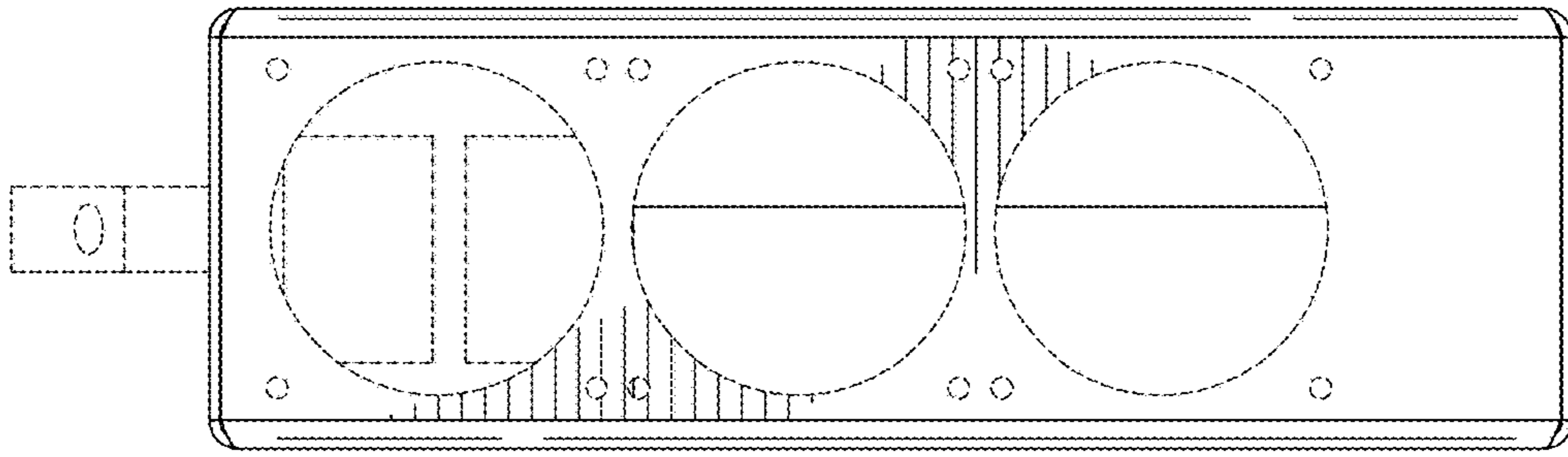


FIG. 5

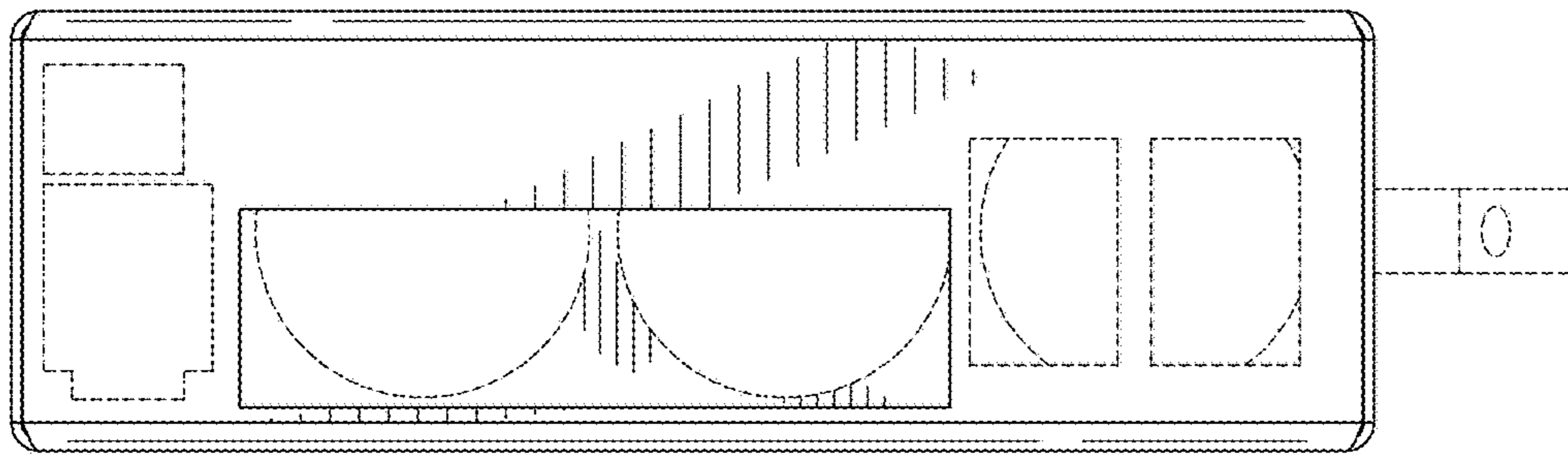


FIG. 6

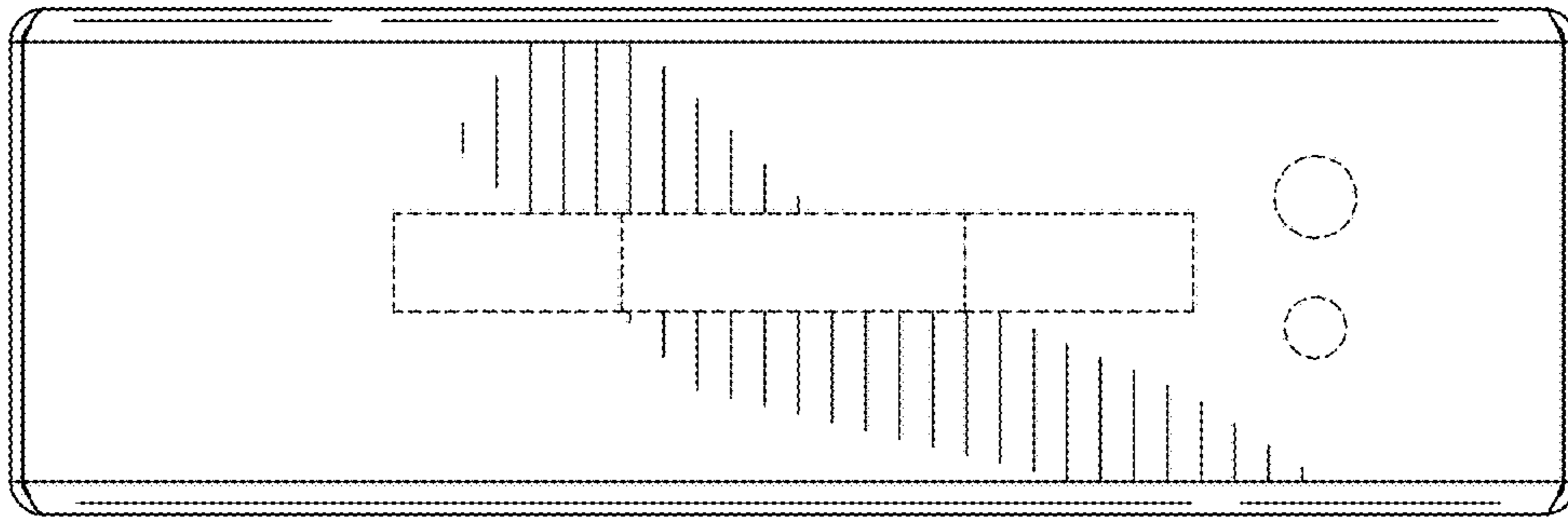


FIG. 7

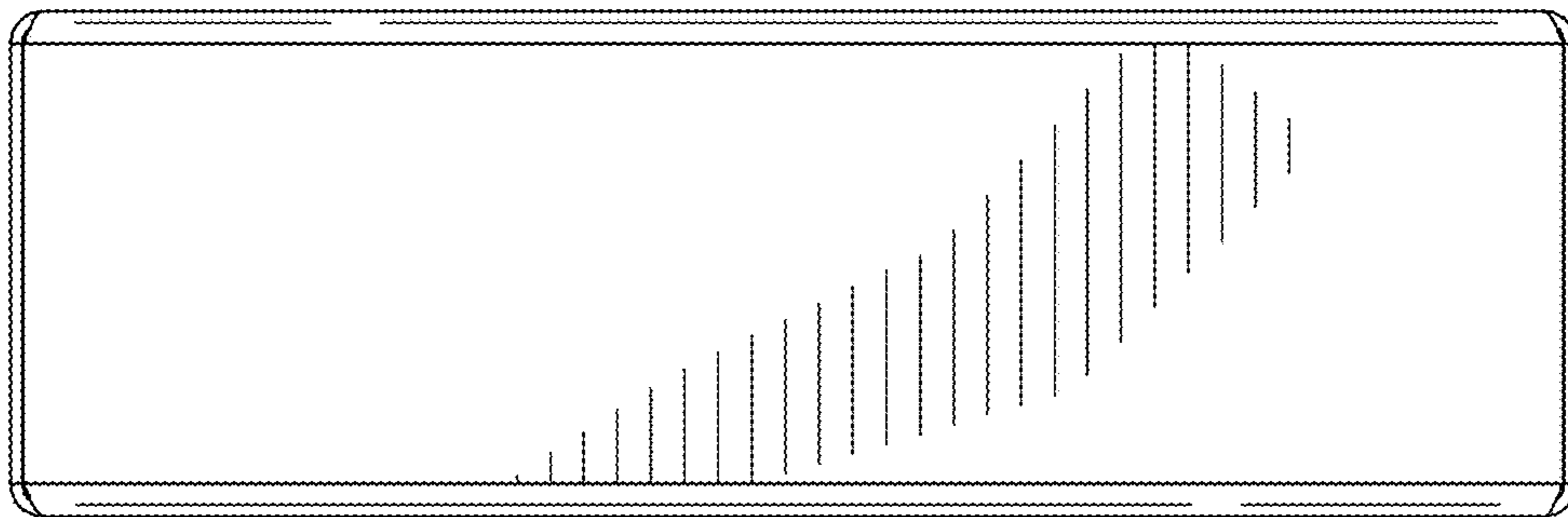


FIG. 8