

US00D824895S

(12) **United States Design Patent** (10) **Patent No.:** **US D824,895 S**  
**Tivnon et al.** (45) **Date of Patent:** **\*\* Aug. 7, 2018**

(54) **COMPUTER**

(71) Applicant: **HEWLETT-PACKARD DEVELOPMENT COMPANY, L.P.**, Houston, TX (US)  
(72) Inventors: **Matthew W. Tivnon**, Houston, TX (US); **Binh T. Truong**, Houston, TX (US); **James McClellan**, Houston, TX (US); **Marcus Hoggarth**, London (GB); **Jack Godfrey Wood**, London (GB); **Oliver Poyntz**, London (GB); **Ian Guy**, London (GB); **Isaac Teece**, London (GB); **Stephen De Saulles**, London (GB)

(73) Assignee: **Hewlett-Packard Development Company, L.P.**, Houston, TX (US)

(\*\*) Term: **15 Years**

(21) Appl. No.: **29/609,352**

(22) Filed: **Jun. 29, 2017**

(51) **LOC (11) Cl.** ..... **14-02**

(52) **U.S. Cl.**  
USPC ..... **D14/314; D14/307; D14/371**

(58) **Field of Classification Search**  
USPC ..... **D14/371-376, 125-129, 336, 337, 447, D14/448, 451; D6/300, 308, 329, 641, D6/642, 682, 708, 708.17; D19/113, 114; D20/10**  
CPC ..... **G09F 15/0025; G09F 15/0062; G09F 15/0068; G06F 1/16; G06F 1/1613; G06F 1/133308; G06F 1/1601; G06F 3/037; G06F 1/162; F16M 11/02; F16M 11/10; F16M 11/00; F16M 11/06; F16M 11/14; F16M 11/18; F16M 11/045; F16M 11/105; F16M 11/041; F16M 11/126; F16M 11/04; F16M 11/24; F16M 13/02; A47F 5/00; A47F 7/024; G08B 13/1445; B60R 11/0235**

See application file for complete search history.

(56) **References Cited**

U.S. PATENT DOCUMENTS

D252,629	S	*	8/1979	Evans, Jr.	.....	D14/133
D434,738	S	*	12/2000	Takemasa	.....	D14/133
D460,055	S	*	7/2002	Rosen	.....	B60R 11/0235
						D14/126
7,740,214	B2	*	6/2010	Marsilio	.....	A47F 7/024
						248/178.1
7,748,669	B2	*	7/2010	Lu	.....	F16M 11/14
						248/181.1
D645,047	S	*	9/2011	Wike	.....	D14/447
D691,989	S	*	10/2013	Micallef	.....	D14/239
D728,576	S	*	5/2015	David	.....	D14/434
D756,152	S	*	5/2016	Schwalbach	.....	D6/677.4
2003/0058372	A1	*	3/2003	Williams	.....	F16M 11/18
						348/836

(Continued)

*Primary Examiner* — Freda S Nunn

(74) *Attorney, Agent, or Firm* — Foley & Lardner LLP

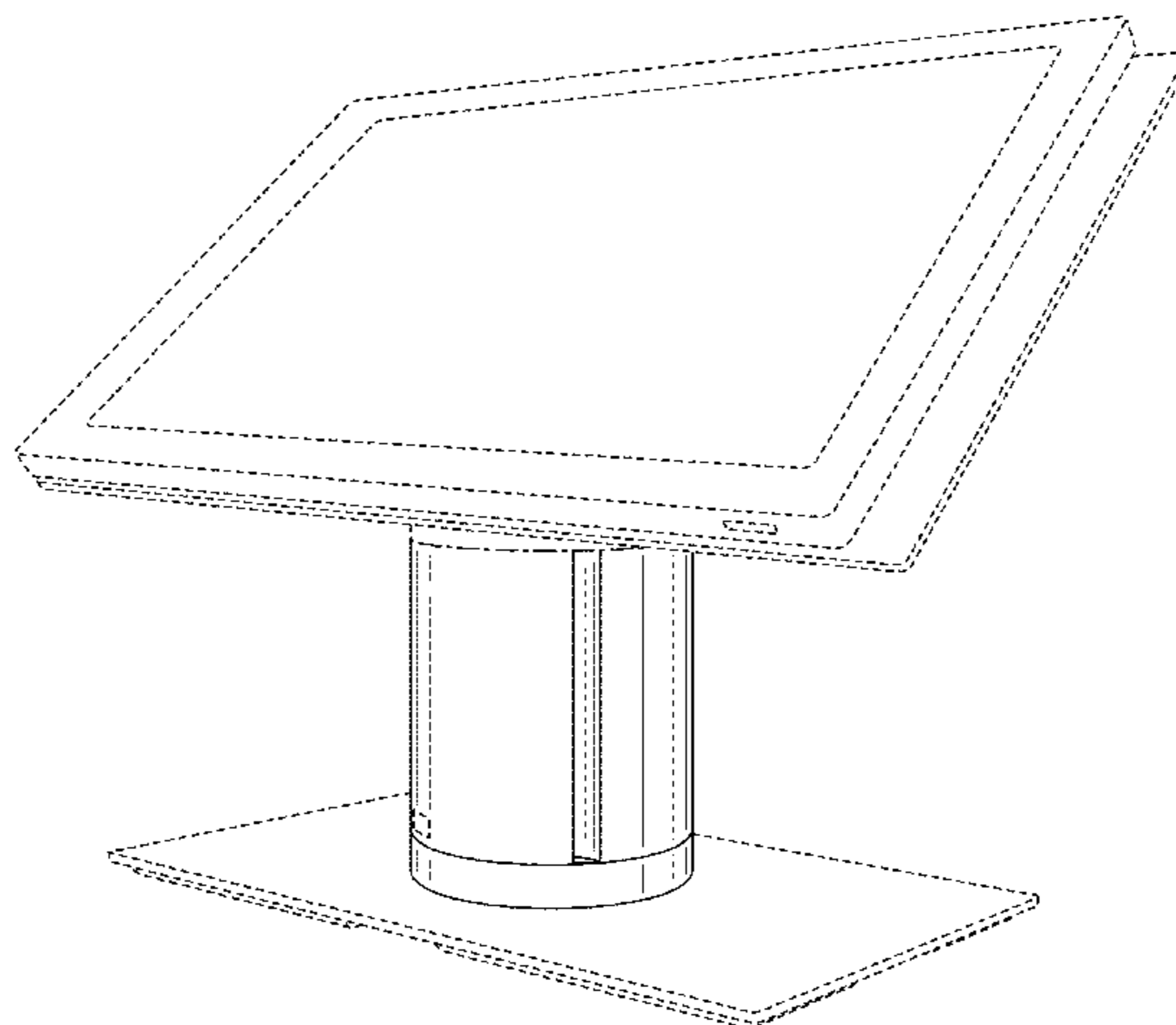
(57) **CLAIM**

We claim the ornamental design for a computer, as shown and described.

**DESCRIPTION**

FIG. 1 is a top, front, right perspective view of the claimed design;  
FIG. 2 is a front elevational view thereof;  
FIG. 3 is a rear elevational view thereof;  
FIG. 4 is a right side elevational view thereof;  
FIG. 5 is a left side elevational view thereof;  
FIG. 6 is a top plan view thereof; and,  
FIG. 7 is a bottom plan view thereof.  
The broken lines formed by evenly spaced dashes show unclaimed subject matter and form no part of the claimed design. The dot-dash broken lines represent unclaimed boundaries that form no part of the claimed design.

**1 Claim, 6 Drawing Sheets**



(56)

**References Cited**

U.S. PATENT DOCUMENTS

2011/0047844 A1\* 3/2011 Fawcett ..... G08B 13/1445  
40/642.02

\* cited by examiner

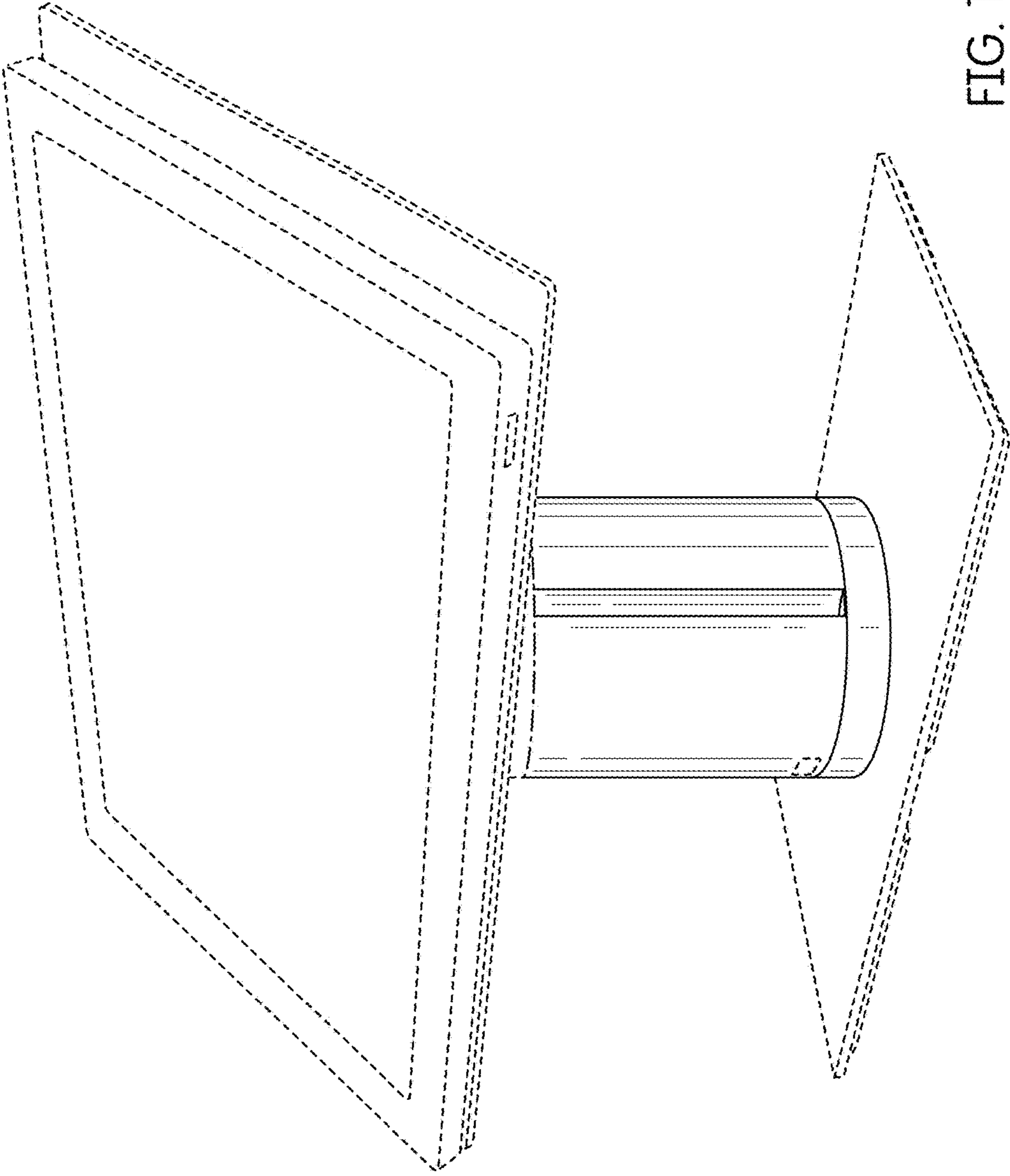


FIG. 1

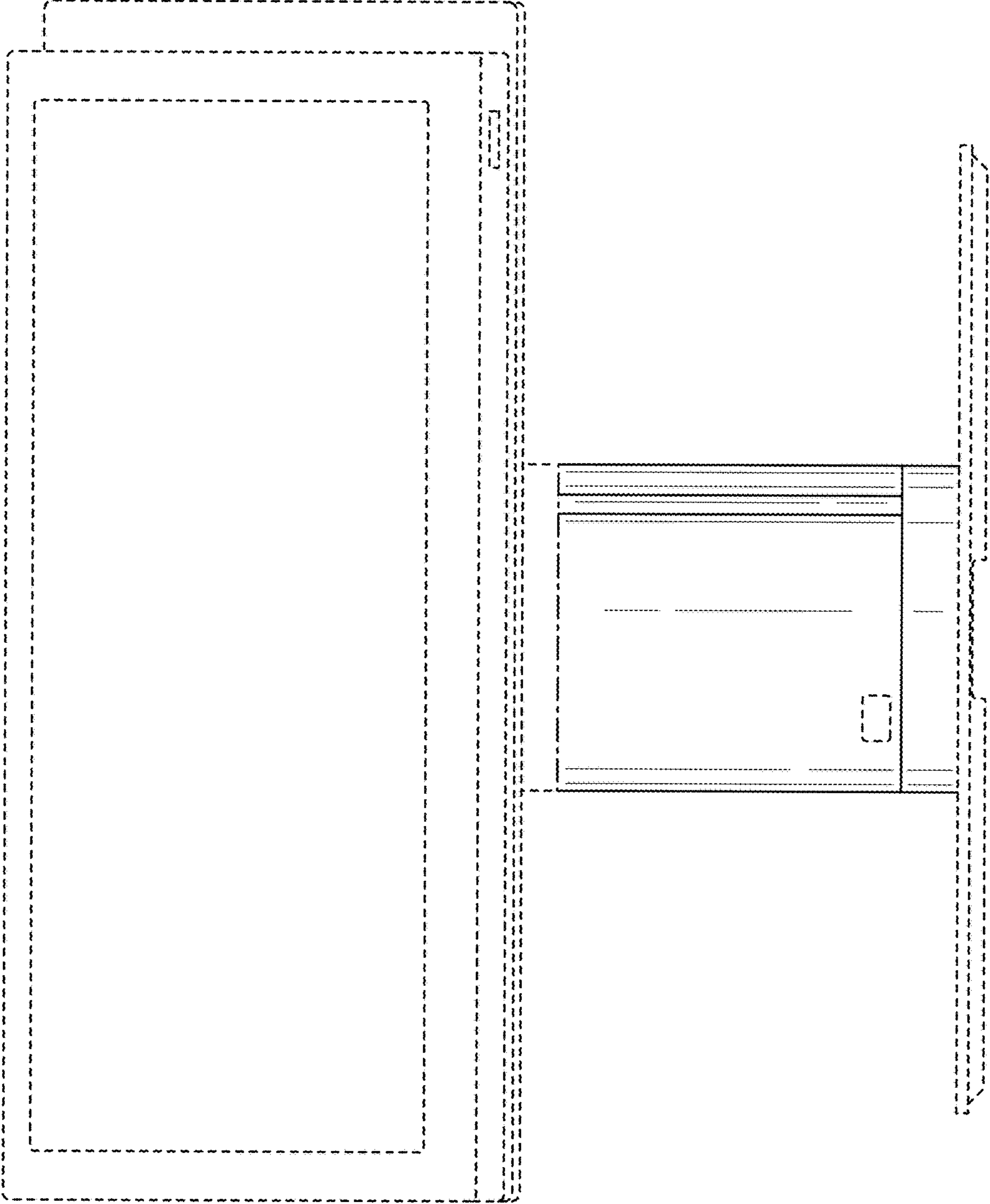


FIG. 2

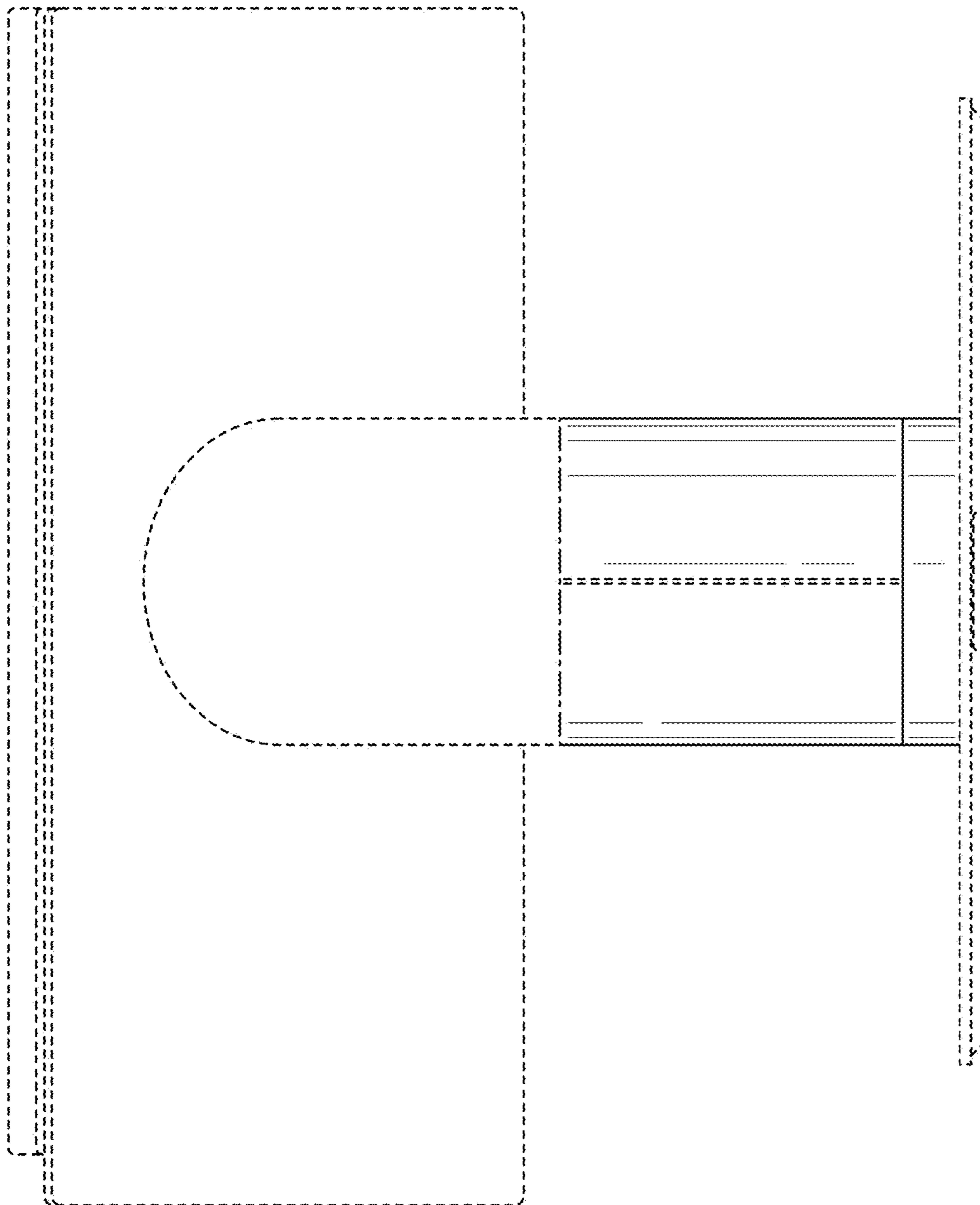


FIG. 3

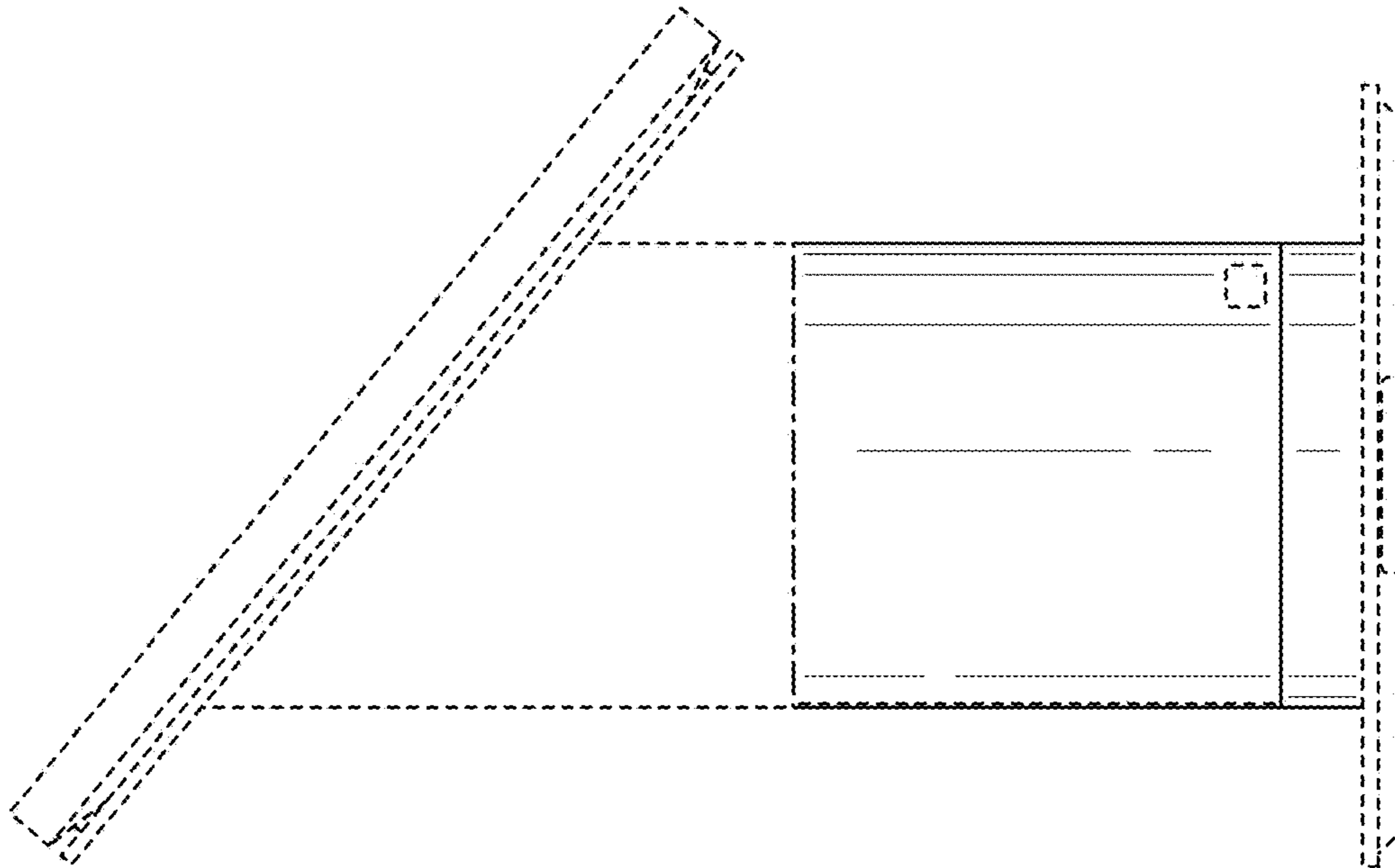


FIG. 5

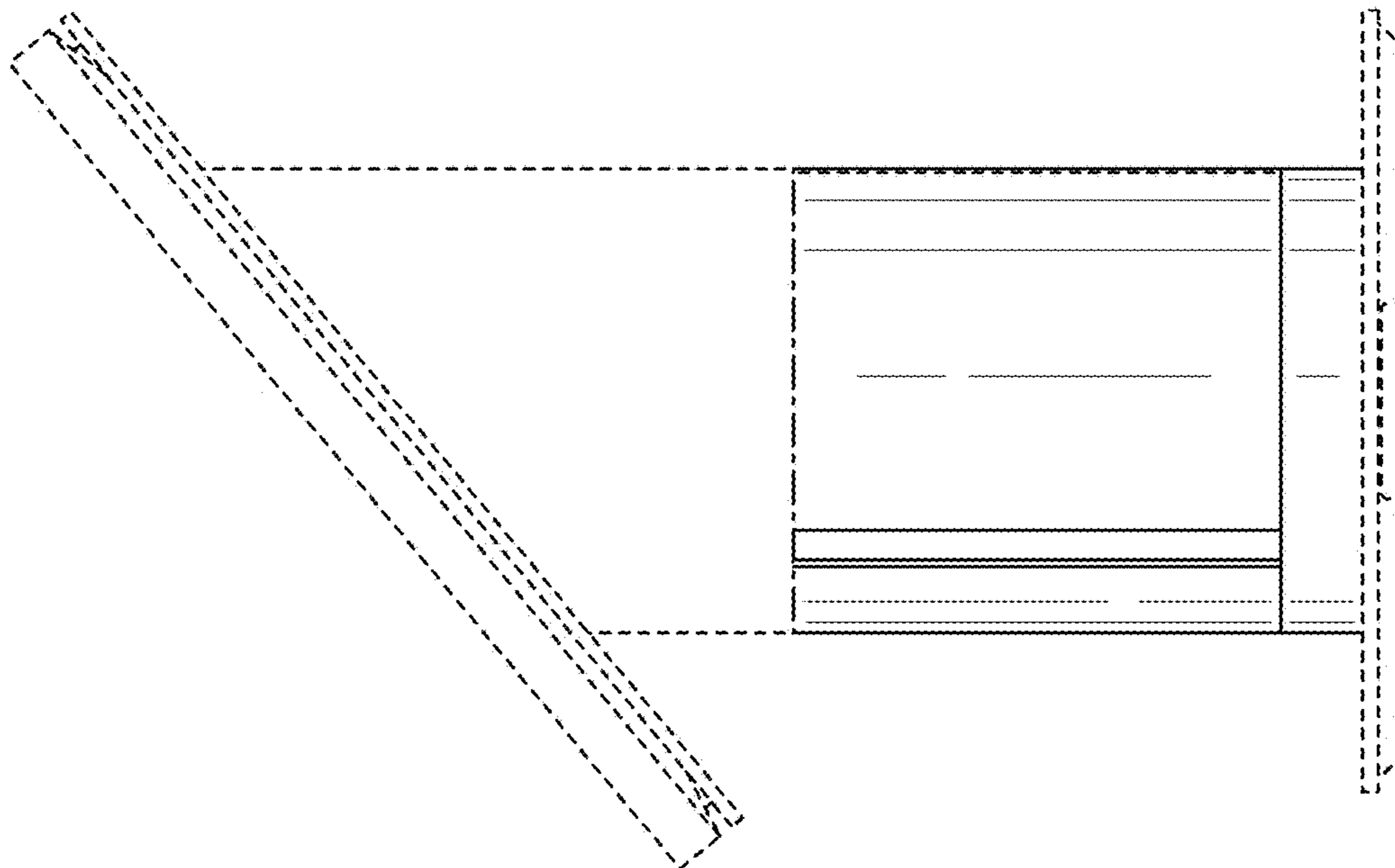


FIG. 4

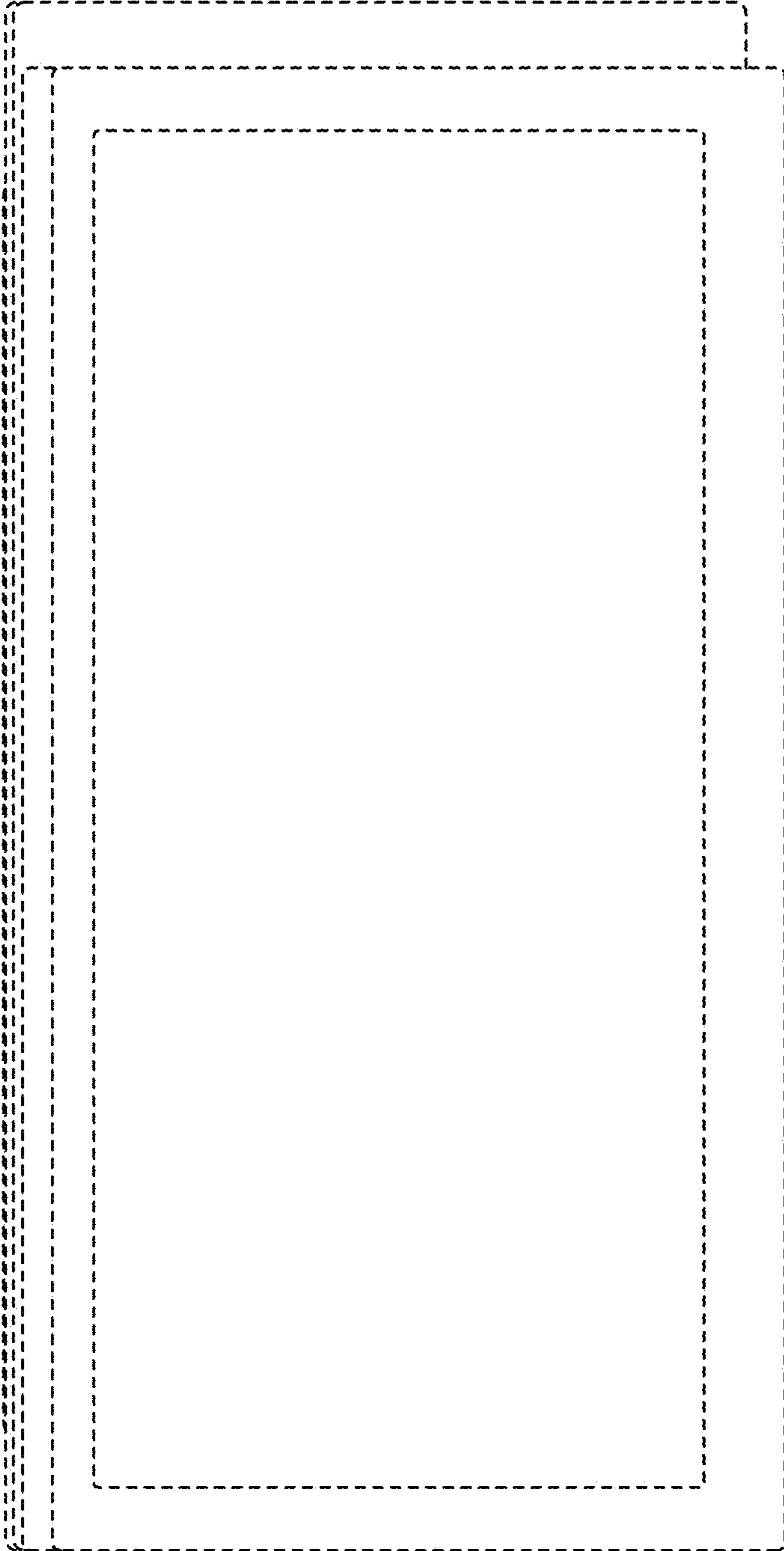


FIG. 6

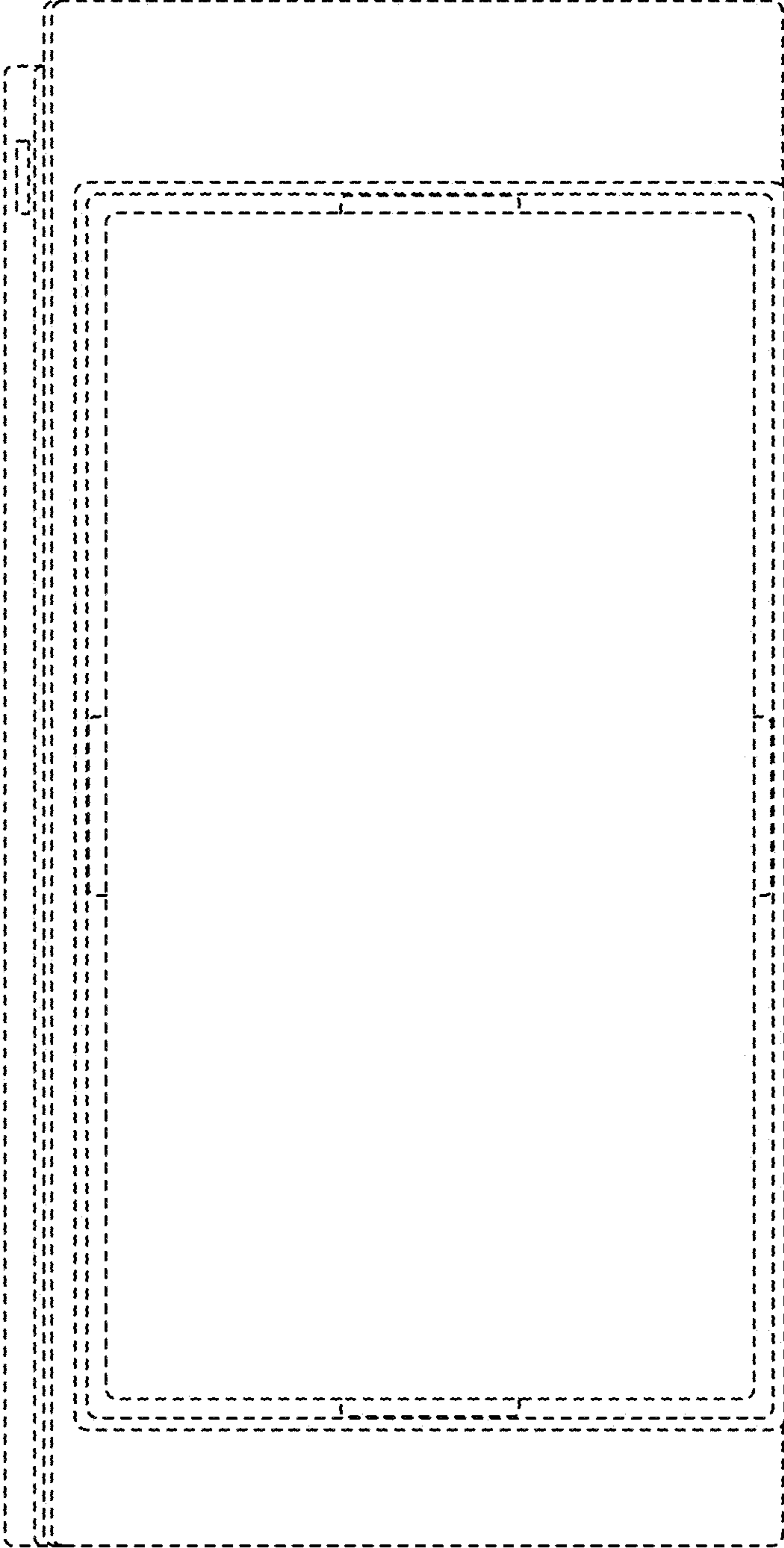


FIG. 7