

US00D824894S

(12) **United States Design Patent** (10) **Patent No.:** **US D824,894 S**
Marasco et al. (45) **Date of Patent:** **** Aug. 7, 2018**

(54) **RETAIL DISPLAY**
(71) Applicant: **Apple Inc.**, Cupertino, CA (US)
(72) Inventors: **Carly Lynn Marasco**, Los Gatos, CA (US); **Anne L. Sanditen**, Sunnyvale, CA (US); **Manuel Reza**, Sunnyvale, CA (US); **Russell John Kaaihue Heirakuji**, Cupertino, CA (US); **Jean-Marc Gady**, Los Altos, CA (US)

5,280,229 A 1/1994 Faude et al.
D392,474 S 3/1998 Frasketi
D392,958 S 3/1998 Gaete
D414,166 S 9/1999 De Paris
D442,939 S 5/2001 Goldenburg
D450,707 S 11/2001 Francavilla et al.
D483,771 S 12/2003 Esswein
D488,440 S 4/2004 Senda
D495,336 S 8/2004 Andre et al.
D502,179 S 2/2005 Cha et al.
D527,018 S 8/2006 Christianson
D543,183 S 5/2007 Cho et al.
D555,655 S 11/2007 Iu
D583,821 S 12/2008 Richter
D585,056 S 1/2009 Ekelund
D587,703 S 3/2009 Yoon

(73) Assignee: **Apple Inc.**, Cupertino, CA (US)
(**) Term: **15 Years**

(Continued)

(21) Appl. No.: **29/576,687**

(22) Filed: **Sep. 6, 2016**

(51) **LOC (11) Cl.** **14-02**

(52) **U.S. Cl.**
USPC **D14/307**

(58) **Field of Classification Search**
USPC D14/302-307, 900-902; D13/163;
D20/10; D21/332, 325, 369, 370;
D99/28; D6/397, 466; 194/206;
361/679.01, 679.02, 679.04, 679.21,
361/679.57, 725
CPC G06Q 20/18; G06Q 20/10; G06Q 20/123;
G06Q 20/20; G06Q 30/02; G06Q 30/06;
A47F 9/047

See application file for complete search history.

(56) **References Cited**

U.S. PATENT DOCUMENTS

D284,084 S 6/1986 Ferrara, Jr.
D295,748 S 5/1988 Day et al.
4,862,151 A 8/1989 Grauz et al.
D318,961 S 8/1991 Edelson
D319,434 S 8/1991 Lund
D337,322 S 7/1993 Yang
D338,685 S 8/1993 Dakich
D339,537 S 9/1993 Willnauer et al.

OTHER PUBLICATIONS

U.S. Appl. No. 29/559,270, filed Mar. 25, 2016; Unknown.

Primary Examiner — Austin Murphy
(74) *Attorney, Agent, or Firm* — Sterne, Kessler,
Goldstein & Fox P.L.L.C.

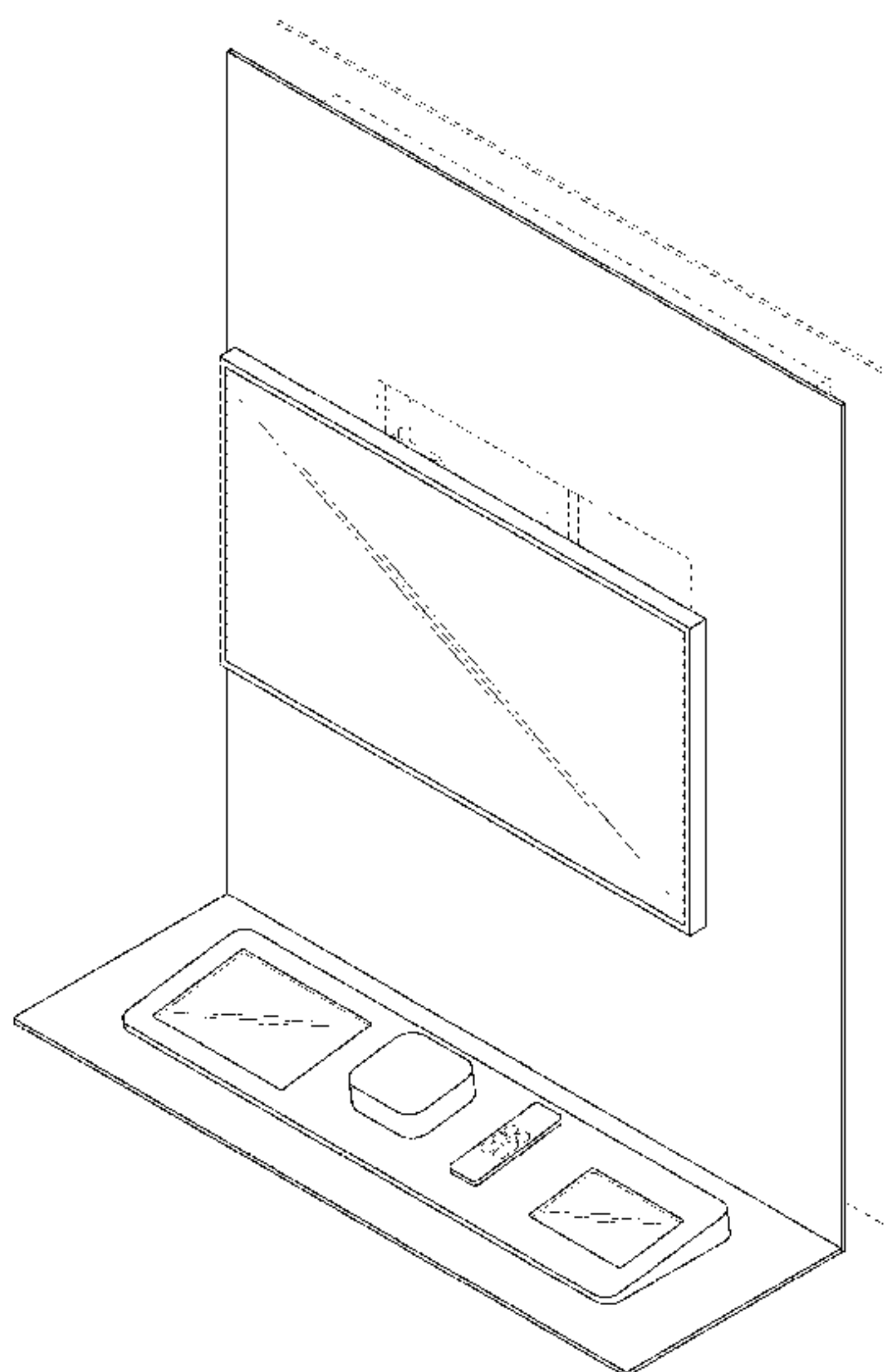
(57) **CLAIM**

The ornamental design for a retail display, as shown and described.

DESCRIPTION

FIG. 1 is a top front perspective view of a retail display showing the claimed design;
FIG. 2 is a front view thereof;
FIG. 3 is a rear view thereof;
FIG. 4 is a left side view thereof;
FIG. 5 is a right side view thereof;
FIG. 6 is a top view thereof; and,
FIG. 7 is a bottom view thereof.
The broken lines in the figures show portions of the retail display that form no part of the claimed design.

1 Claim, 5 Drawing Sheets



(56)

References Cited

U.S. PATENT DOCUMENTS

D596,618 S	7/2009	Zha	D688,671 S	8/2013	Avganim	
D599,792 S	9/2009	Lin	D690,137 S	9/2013	Kikkert et al.	
D618,614 S	6/2010	Symons	D690,138 S	9/2013	Kikkert et al.	
D623,188 S	9/2010	Son et al.	D692,420 S	10/2013	McManigal et al.	
D626,129 S	10/2010	Lutz	D708,270 S	7/2014	Heirakuji et al.	
D627,777 S	11/2010	Akana et al.	D751,061 S *	3/2016	Berini	D14/307
D637,596 S	5/2011	Akana et al.	D757,709 S *	5/2016	Feldstein	D14/307
D637,601 S	5/2011	Symons	D762,648 S	8/2016	Akana et al.	
D639,267 S	6/2011	DeLorenzo et al.	D767,559 S *	9/2016	Pfeiffer	D14/307
D642,121 S	7/2011	Lee et al.	D770,203 S	11/2016	Thaler et al.	
D642,172 S	7/2011	Akana et al.	D777,722 S *	1/2017	Murphy	D14/307
D643,433 S	8/2011	Hsieh et al.	D781,279 S *	3/2017	Horn, II	D14/307
D651,606 S	1/2012	Luijben	D782,465 S *	3/2017	Chen	D14/307
D661,308 S	6/2012	Capozzoli	D782,467 S *	3/2017	Bladwell	D14/307
D662,100 S	6/2012	Van Den Nieuwenhuizen et al.	D783,016 S *	4/2017	Matloff	D14/307
D670,692 S	11/2012	Akana et al.	D783,596 S *	4/2017	Payne	D14/307
D673,571 S	1/2013	Akana et al.	D805,065 S *	12/2017	Taylor	D14/307
D673,572 S	1/2013	Akana et al.	D809,499 S *	2/2018	Munro	D14/307
D673,952 S	1/2013	Toda et al.	D815,629 S *	4/2018	Jones, Sr.	D14/307
D687,441 S	8/2013	Janzen	D816,077 S *	4/2018	Benic	D14/307
			2006/0250764 A1	11/2006	Howarth et al.	
			2009/0156255 A1	6/2009	Shin et al.	
			2014/0028688 A1	1/2014	Houjou et al.	

* cited by examiner

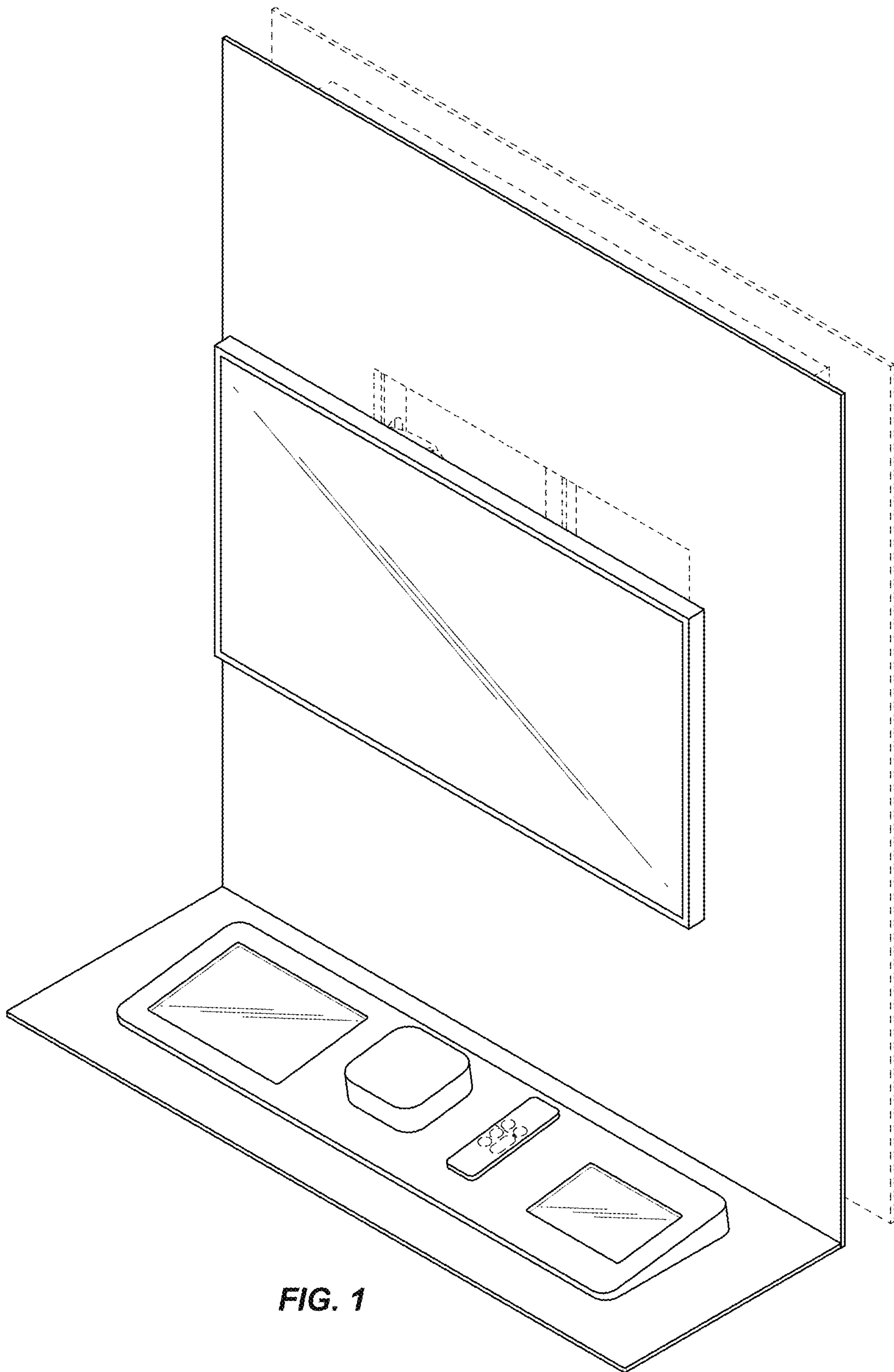


FIG. 1

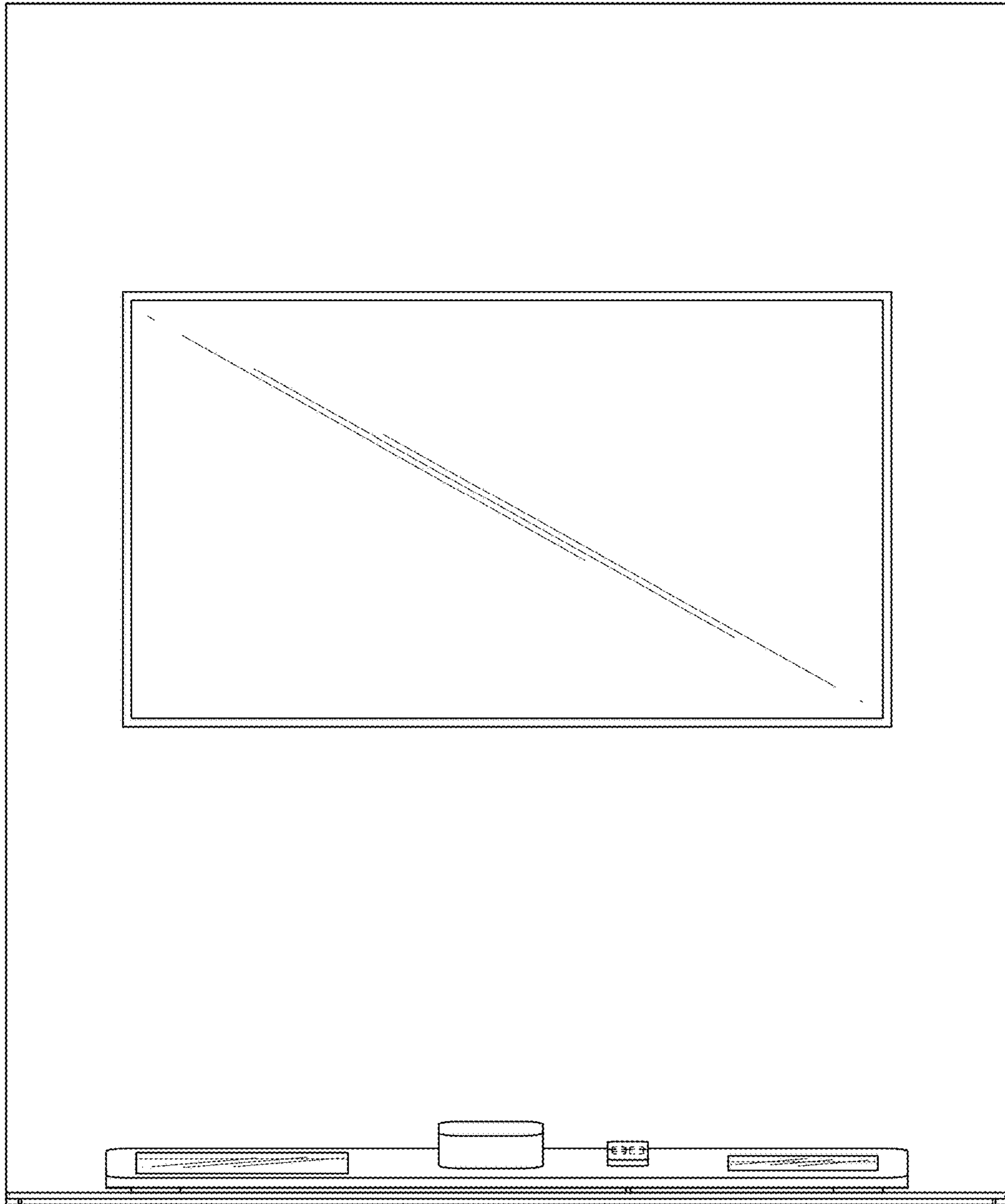


FIG. 2

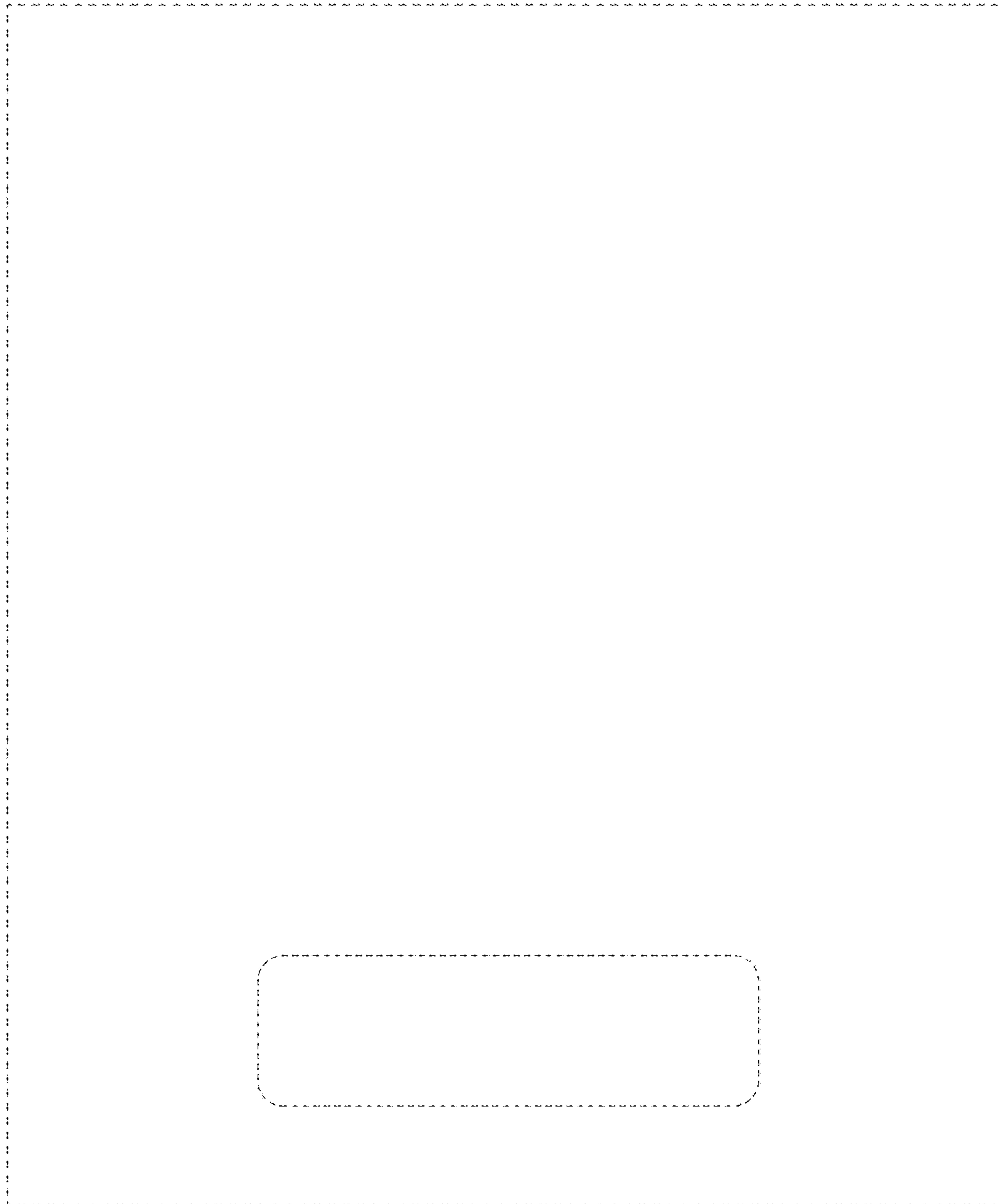


FIG. 3

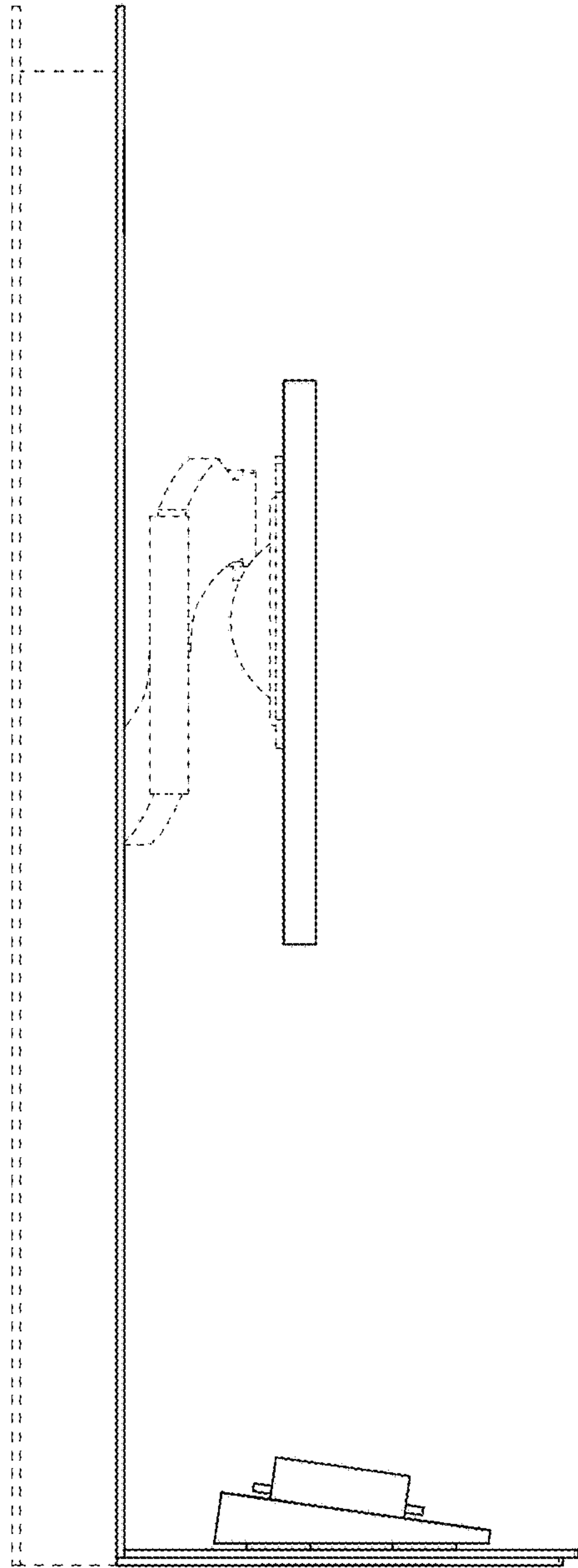


FIG. 4

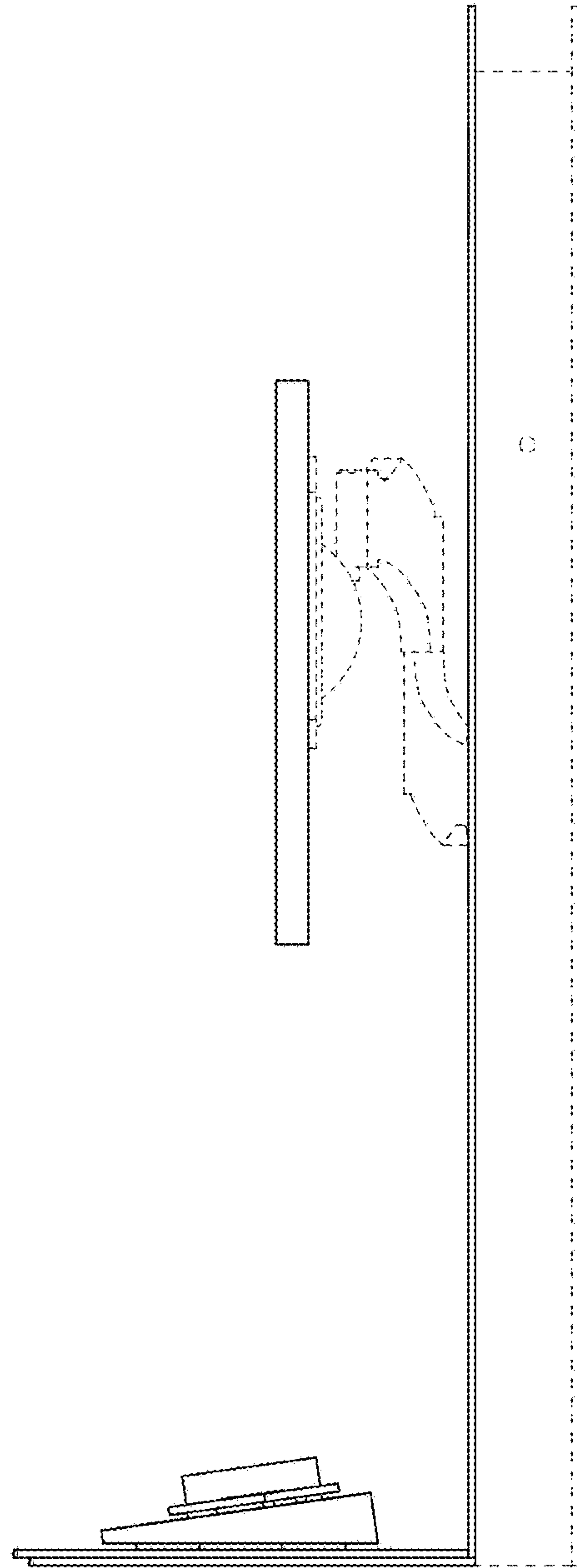


FIG. 5

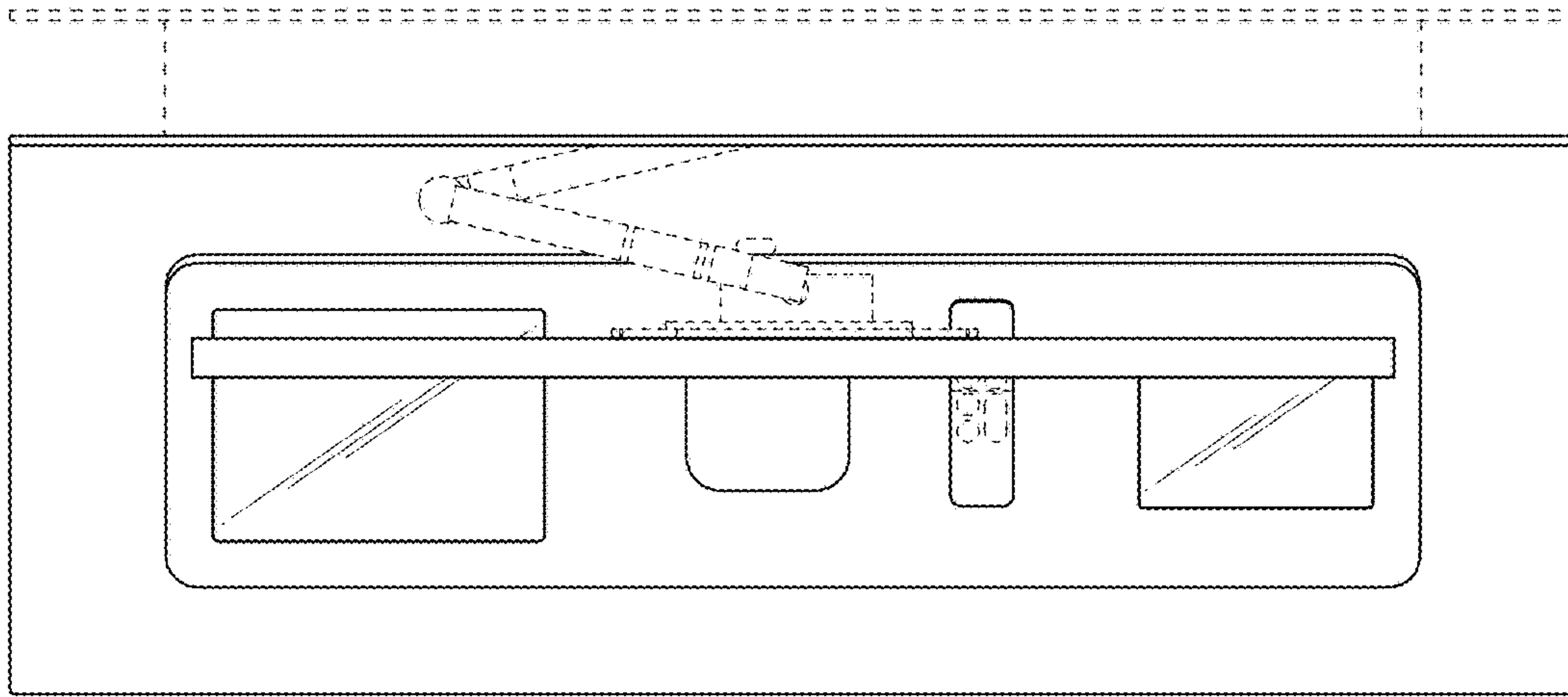


FIG. 6

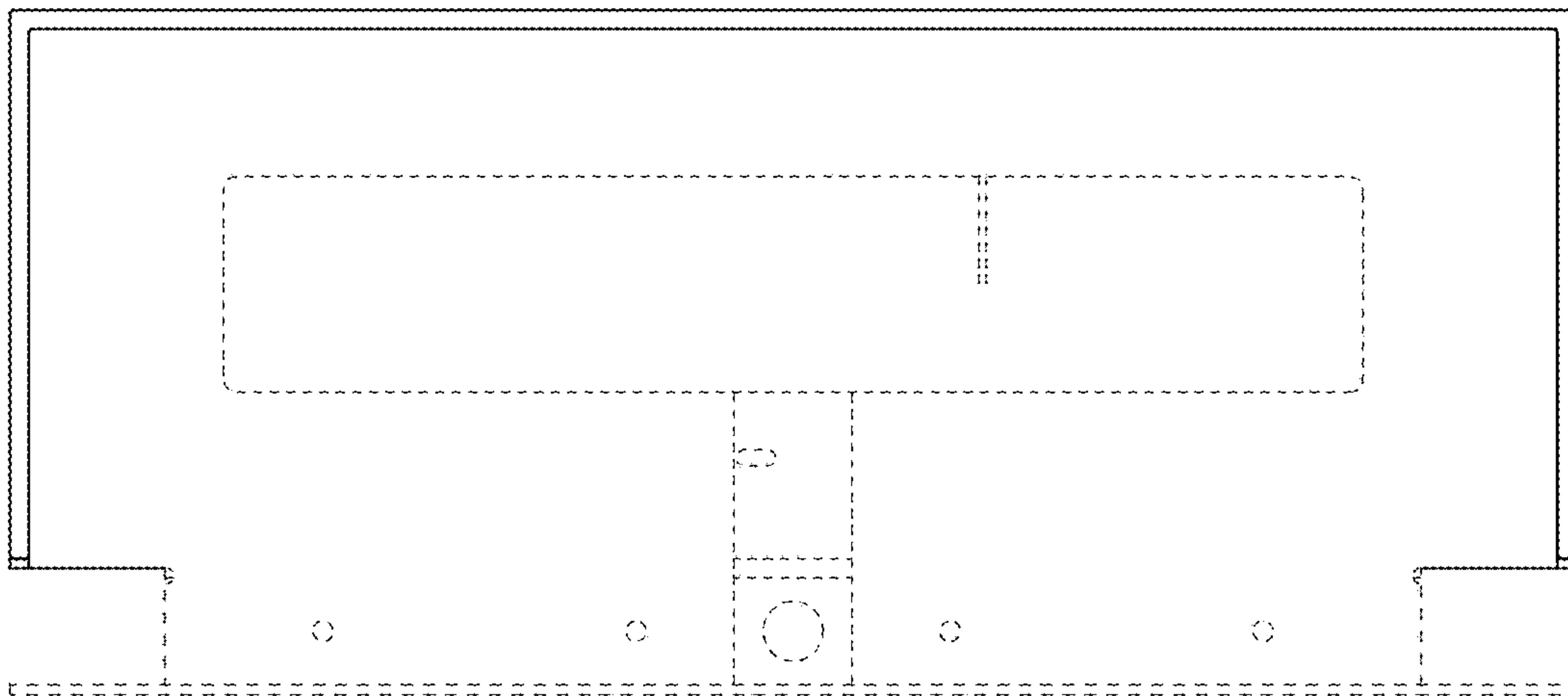


FIG. 7