



US00D824889S

(12) **United States Design Patent** (10) **Patent No.:** **US D824,889 S**  
**Debaigue et al.** (45) **Date of Patent:** **\*\* Aug. 7, 2018**

(54) **STAND FOR TELEVISION**

(56) **References Cited**

(71) Applicant: **Samsung Electronics Co., Ltd.**,  
Suwon-si (KR)

U.S. PATENT DOCUMENTS

(72) Inventors: **Arthur Debaigue**, San Francisco, CA  
(US); **Yves Behar**, San Francisco, CA  
(US); **Qin Li**, San Francisco, CA (US);  
**Alex Farrow**, San Francisco, CA (US)

D726,670 S 4/2015 Yoo et al.  
D760,706 S \* 7/2016 Son ..... D14/239  
D766,854 S \* 9/2016 Han ..... D14/126  
D782,432 S \* 3/2017 So ..... D14/126

(73) Assignee: **Samsung Electronics Co., Ltd.**,  
Suwon-si (KR)

FOREIGN PATENT DOCUMENTS

KR 30-2013-0009434 2/2014  
KR 30-2013-0009436 2/2014

(\*\*) Term: **15 Years**

\* cited by examiner

(21) Appl. No.: **29/608,165**

*Primary Examiner* — Randall H Gholson

(22) Filed: **Jun. 20, 2017**

(74) *Attorney, Agent, or Firm* — NSIP Law

(30) **Foreign Application Priority Data**

(57) **CLAIM**

Dec. 21, 2016 (KR) ..... 30-2016-0062356

We claim the ornamental design for a stand for television, as shown and described.

(51) **LOC (11) Cl.** ..... **14-03**

**DESCRIPTION**

(52) **U.S. Cl.**  
USPC ..... **D14/239**

(58) **Field of Classification Search**  
USPC ..... D14/125-134, 239, 371, 136, 374-377,  
D14/440, 450, 448, 336, 342, 159;  
312/7.2; 348/836, 838, 180, 184, 325,  
348/739; 248/917-924, 465; 345/104,  
345/133, 156, 168, 87, 173; D21/329,  
D21/515, 577, 622, 333, 433, 448, 452,  
D21/450, 331, 505; D10/15, 26;  
446/484, 175, 356; D6/477, 479, 300;  
D24/185; D34/14

FIG. 1 is a front perspective view of a stand for television showing our new design;  
FIG. 2 is a front view thereof;  
FIG. 3 is a rear view thereof;  
FIG. 4 is a left-side view thereof;  
FIG. 5 is a right-side view thereof;  
FIG. 6 is a top view thereof;  
FIG. 7 is a bottom view thereof;  
FIG. 8 is a rear perspective view thereof; and,  
FIG. 9 is a front perspective view thereof shown in an example environment.  
The broken lines in the figures depict environmental subject matter and form no part of the claimed design.

CPC ... G06F 1/1601; G06F 1/1643; H05K 5/0004;  
H05K 5/0017; H05K 5/02; H05K 5/0217

See application file for complete search history.

**1 Claim, 9 Drawing Sheets**

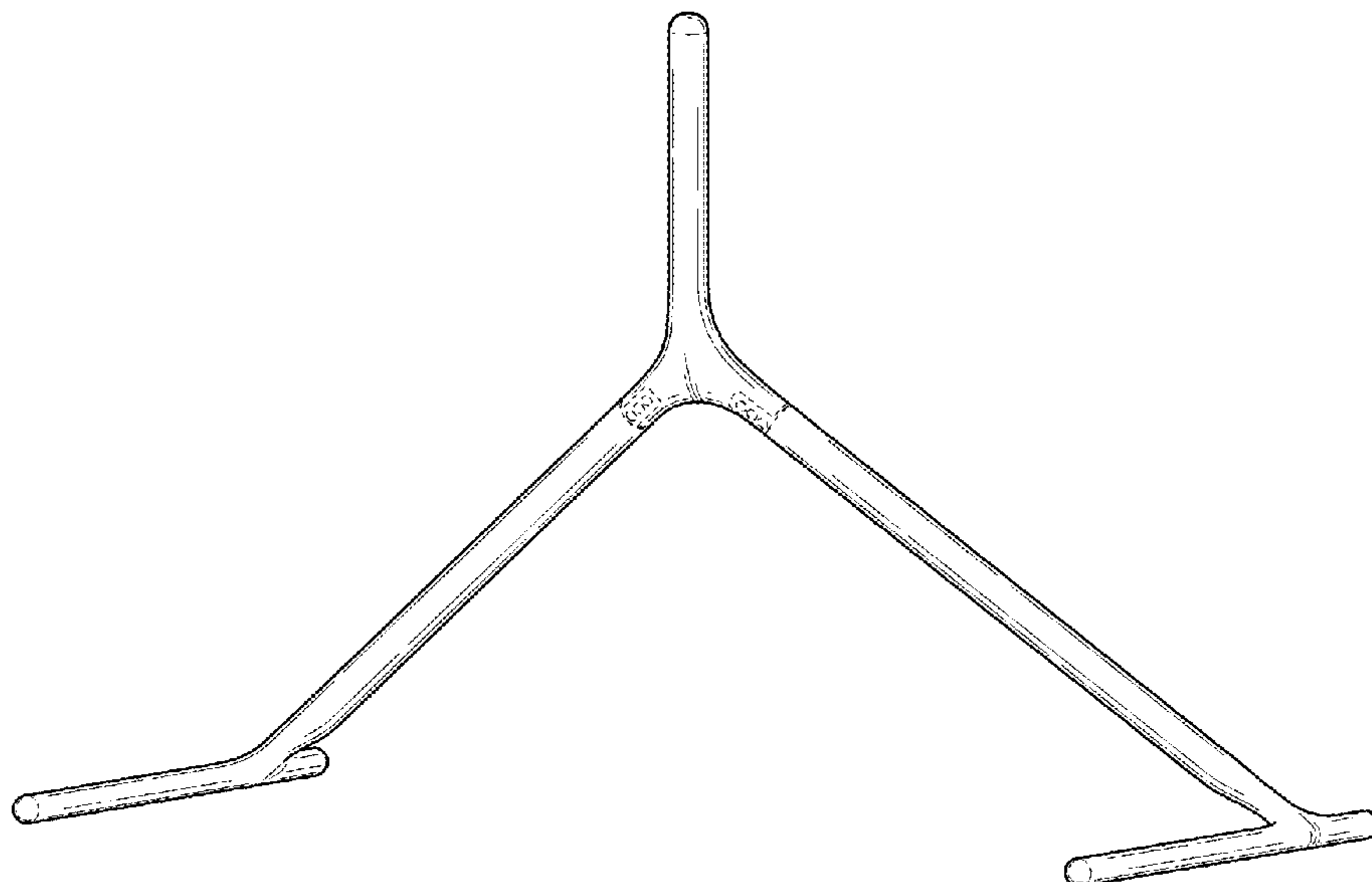


FIG. 1

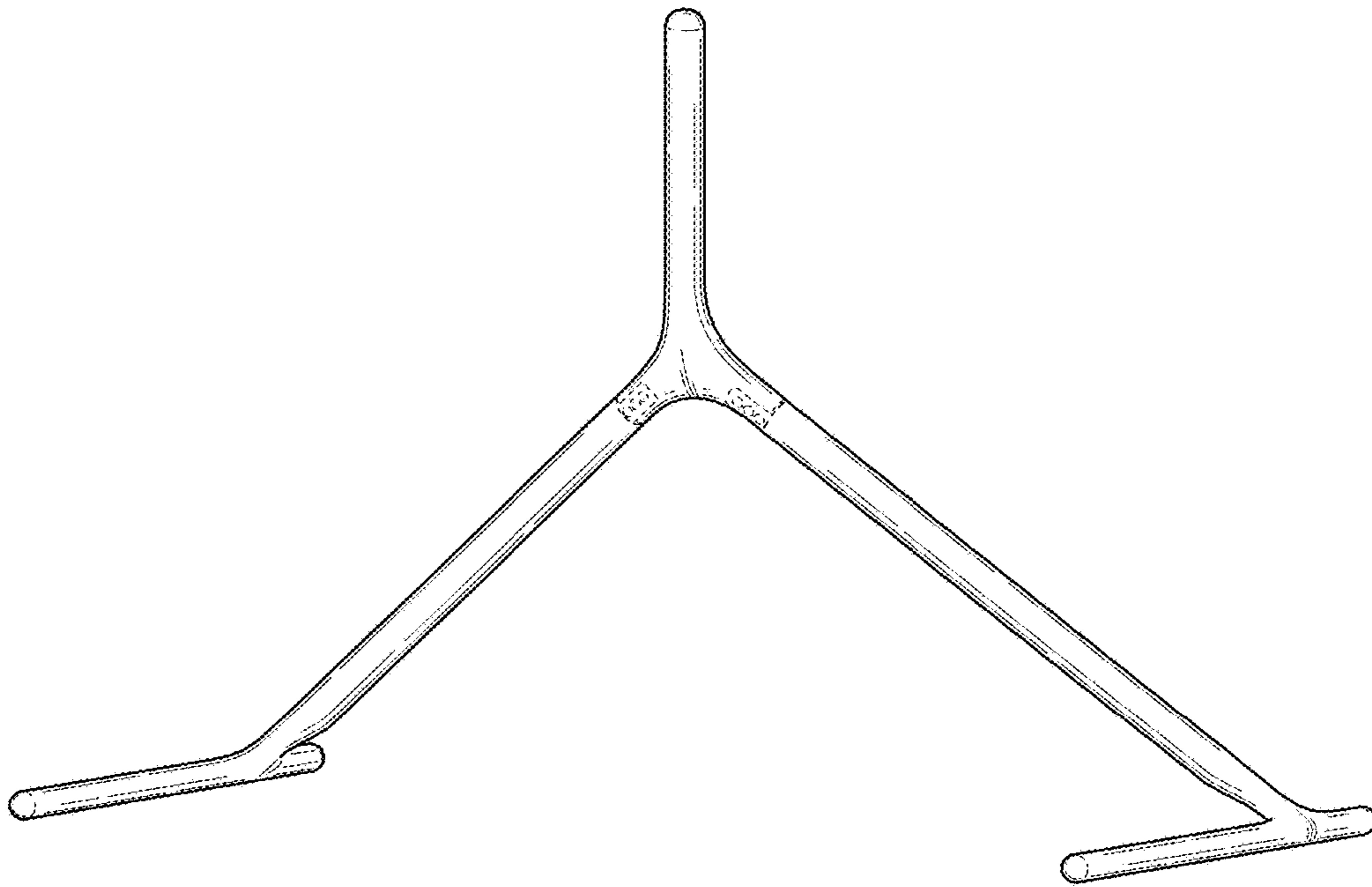


FIG. 2

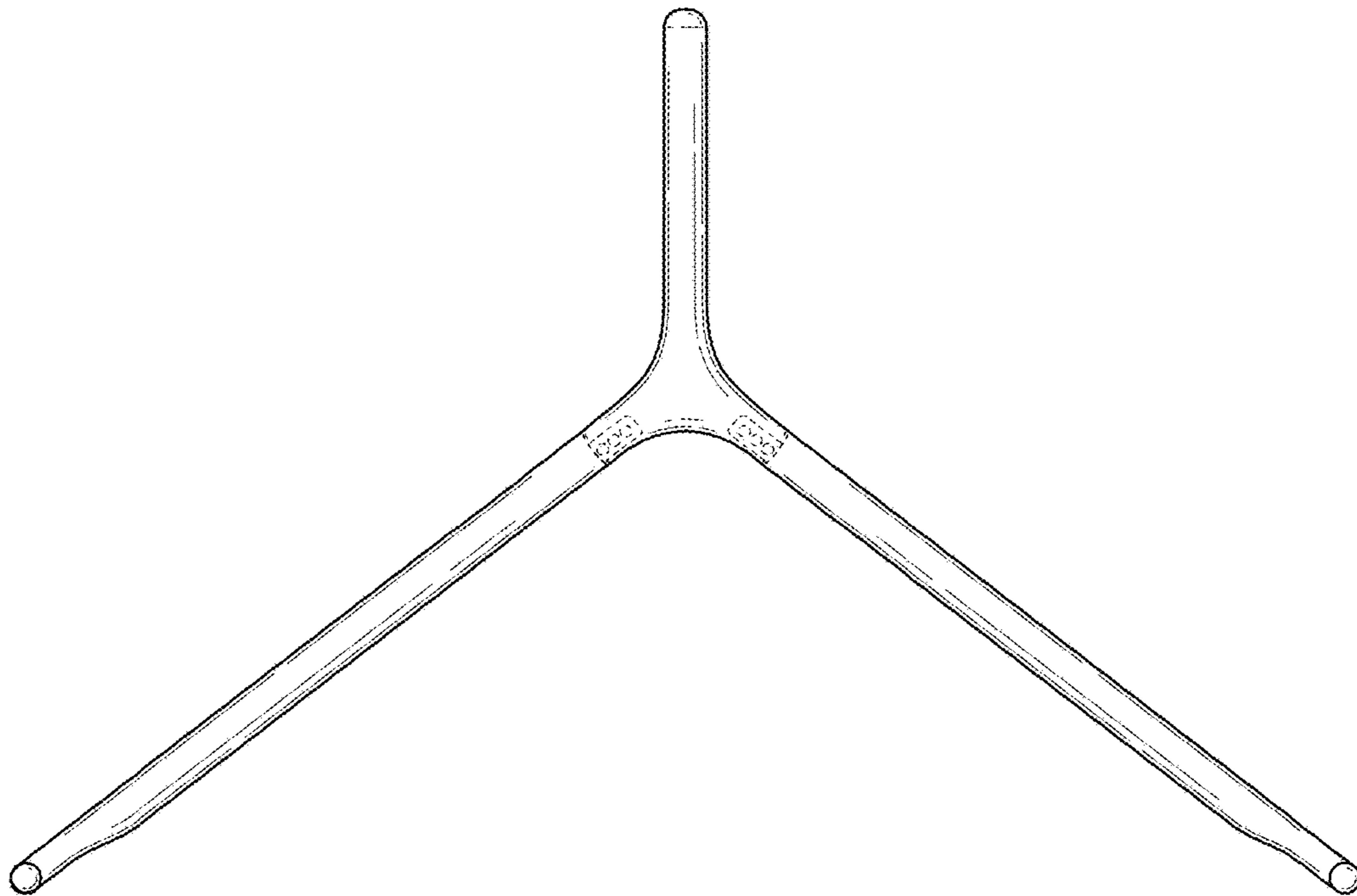


FIG. 3

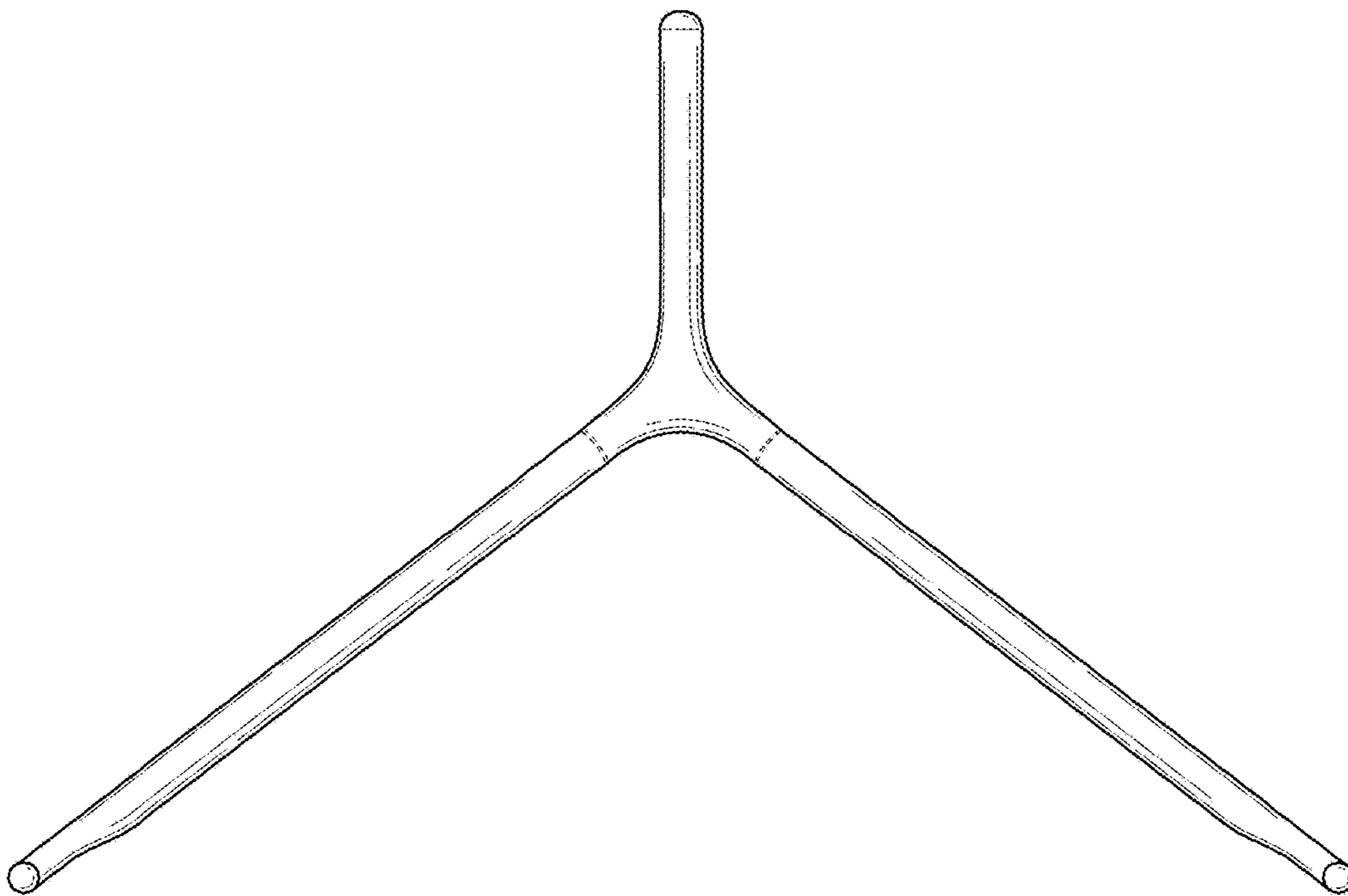


FIG. 4

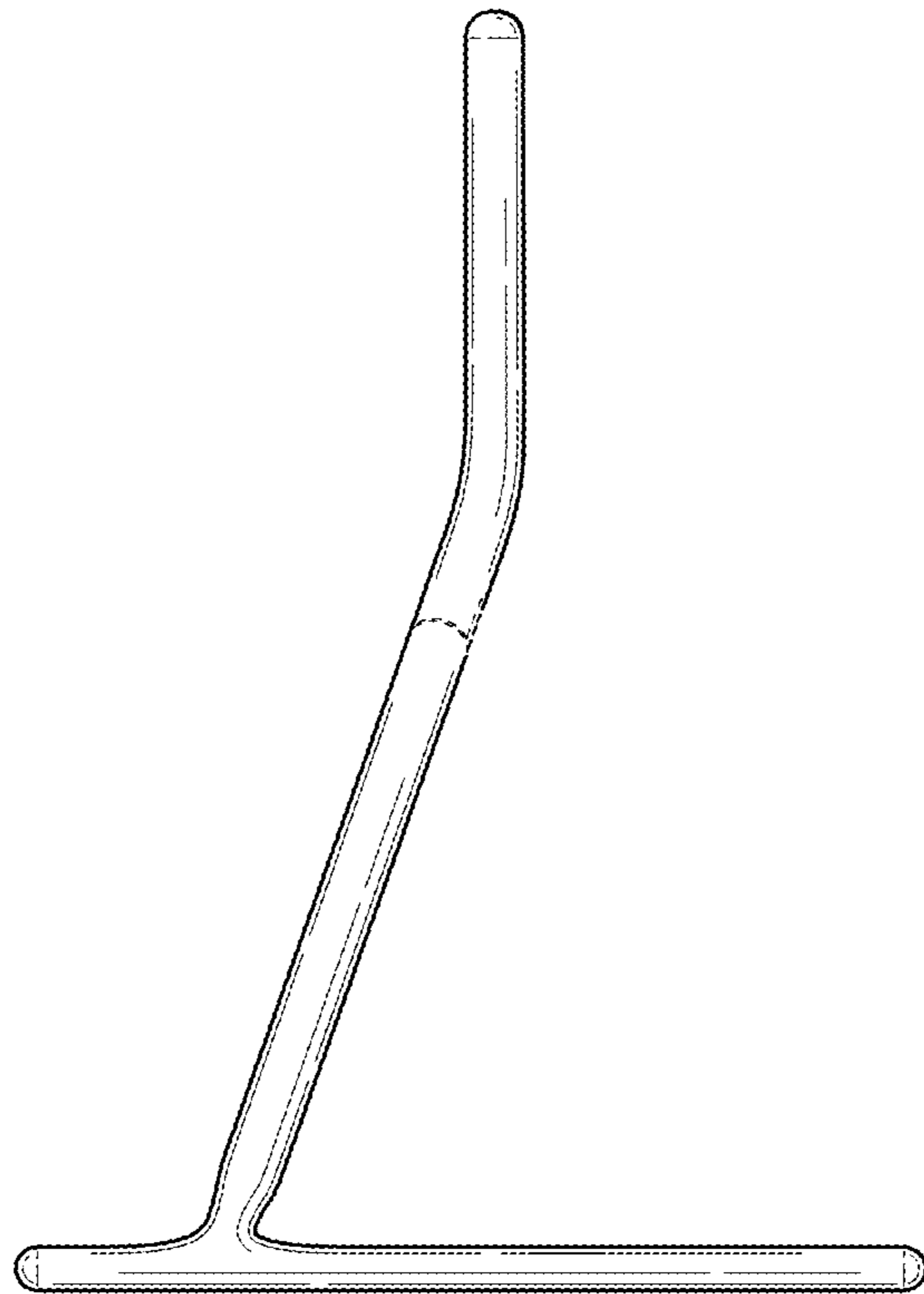


FIG. 5

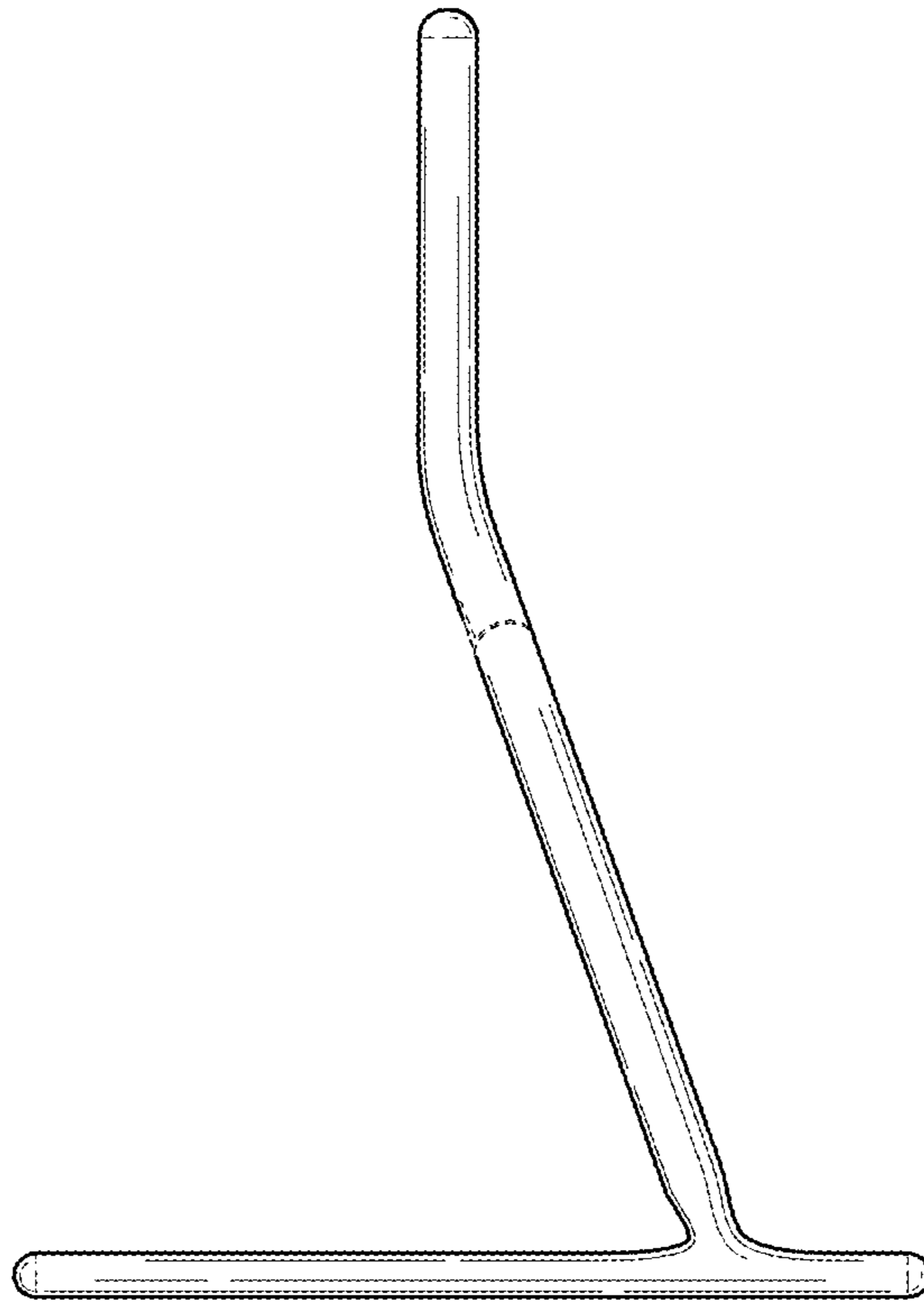


FIG. 6

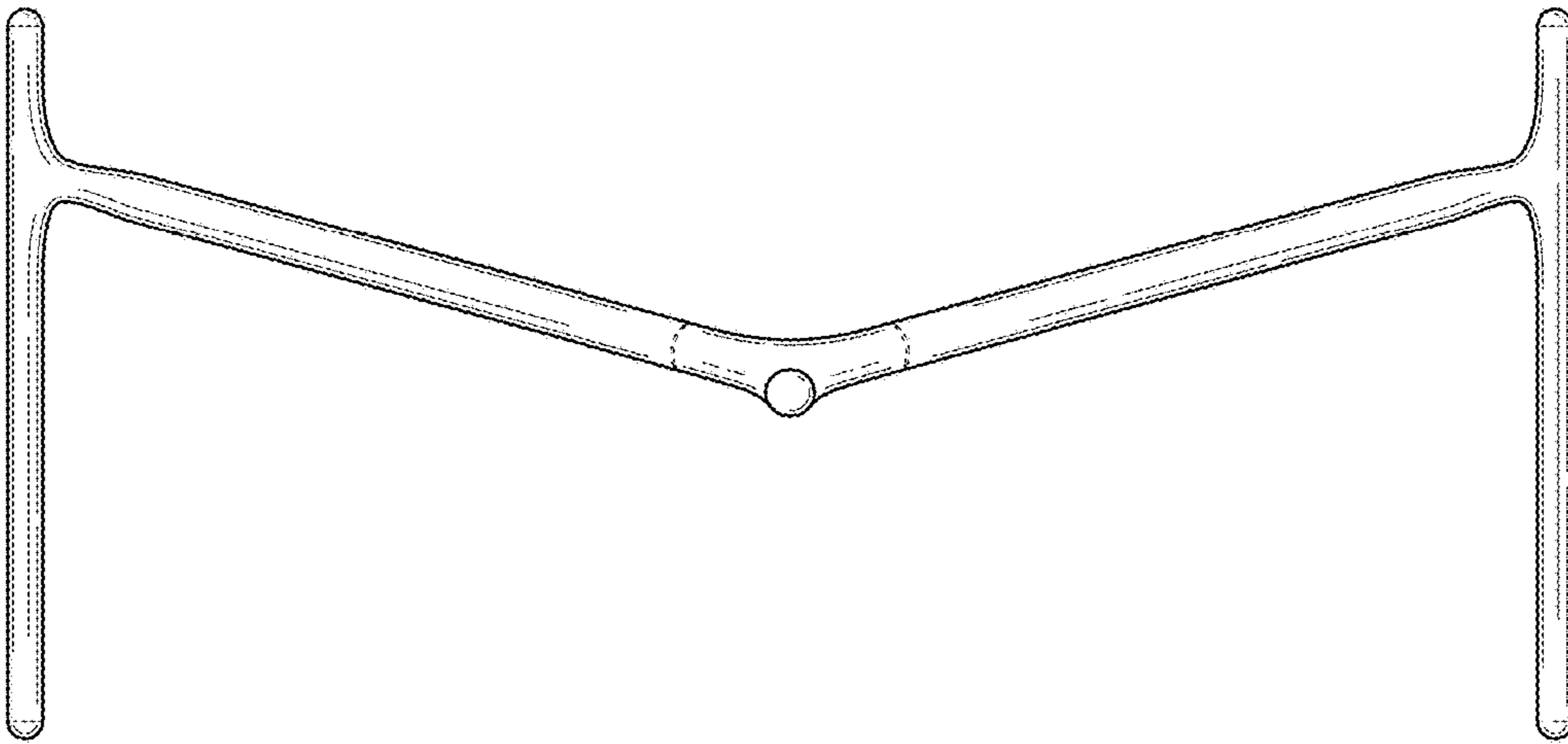


FIG. 7

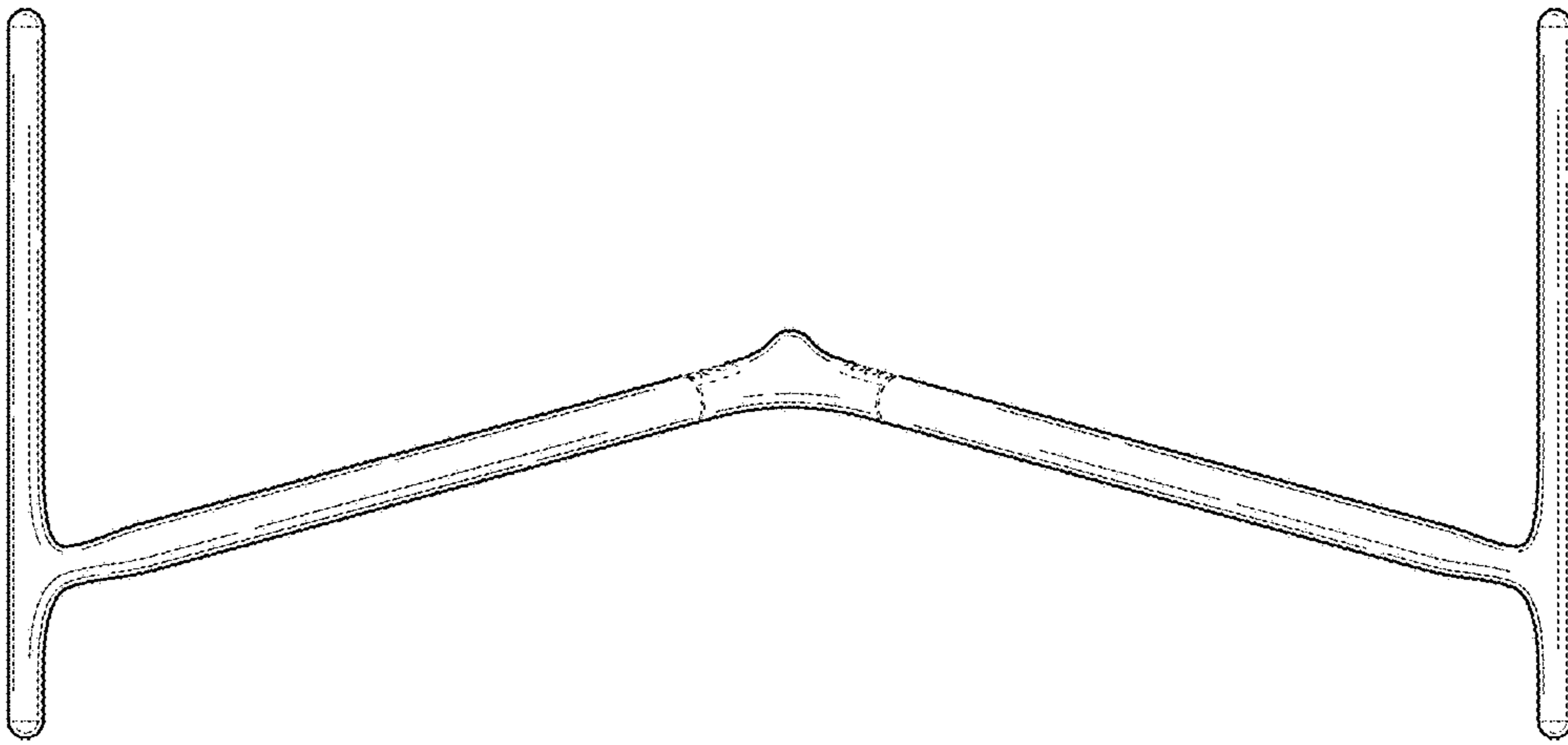




FIG. 8

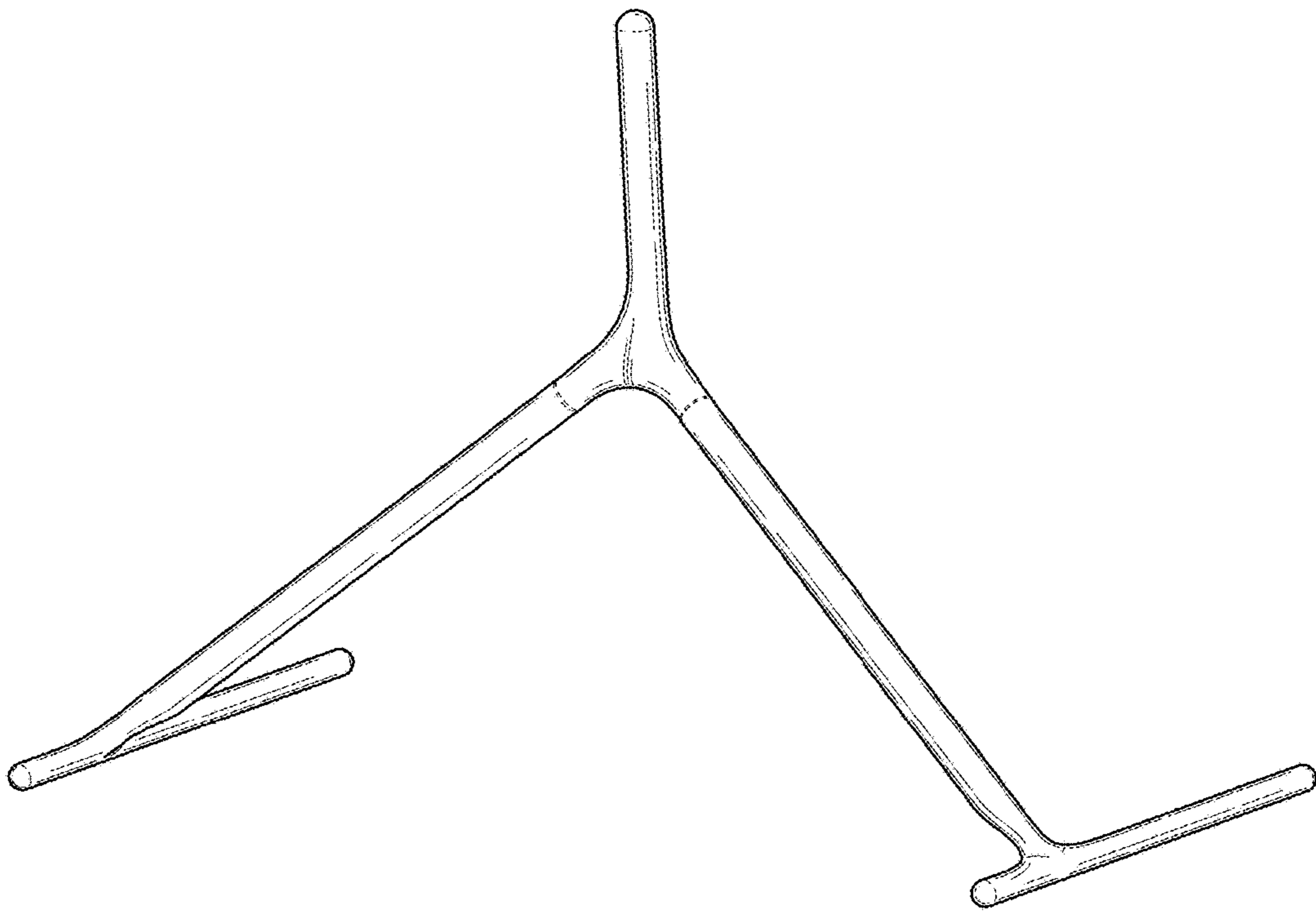


FIG. 9

