



US00D824888S

(12) **United States Design Patent** (10) **Patent No.:** **US D824,888 S**
Tessier et al. (45) **Date of Patent:** **** Aug. 7, 2018**

(54) **VIDEO CONVERTER**

(71) Applicant: **Theatrixx Technologies Inc.**, Montreal, Quebec (CA)

(72) Inventors: **Jacques Tessier**,
 Saint-Bruno-de-Montarville (CA);
Gabriel Duschinsky,
 Saint-Bruno-de-Montarville (CA); **Bing Xiao Liu**,
 Montreal (CA); **Jean-Francois Pepin**,
 Montreal (CA); **Maxence Lenoir**,
 Montreal (CA); **Alexandra D. Tessier**,
 Montreal (CA); **Noe Saint-Onge**,
 Montreal (CA)

(73) Assignee: **THEATRIXX TECHNOLOGIES INC.**, Montreal (CA)

(**) Term: **15 Years**

(21) Appl. No.: **29/582,370**

(22) Filed: **Oct. 27, 2016**

(30) **Foreign Application Priority Data**

Jun. 8, 2016 (CA) 168854

(51) **LOC (11) Cl.** **14-03**

(52) **U.S. Cl.**
USPC **D14/239**

(58) **Field of Classification Search**
 USPC D14/125-134, 239, 371, 136, 374-377,
 D14/440, 450, 448, 336, 342, 159;
 (Continued)

(56) **References Cited**

U.S. PATENT DOCUMENTS

D487,087 S * 2/2004 Wang D14/357
 D571,822 S * 6/2008 Madonna D14/496
 (Continued)

Primary Examiner — Randall H Gholson

(74) *Attorney, Agent, or Firm* — Brouillette Legal Inc.;
Robert Brouillette

(57) **CLAIM**

The ornamental design for a video converter, as shown and described.

DESCRIPTION

FIG. 1 is a LEFT SIDE VIEW of a first variant of the video converter;
 FIG. 2 is a FRONT VIEW of the first variant of FIG. 1;
 FIG. 3 is a RIGHT SIDE VIEW of the first variant of FIG. 1;
 FIG. 4 is a REAR VIEW of the first variant of FIG. 1;
 FIG. 5 is a TOP VIEW of the first variant of FIG. 1;
 FIG. 6 is a BOTTOM VIEW of the first variant of FIG. 1;
 FIG. 7 is a FRONT TOP PERSPECTIVE VIEW of the first variant of FIG. 1;
 FIG. 8 is a REAR TOP PERSPECTIVE VIEW of the first variant of FIG. 1;
 FIG. 9 is a LEFT SIDE VIEW of a second variant of the video converter;
 FIG. 10 is FRONT VIEW a of the second variant of FIG. 9;
 FIG. 11 is a RIGHT SIDE VIEW of the second variant of FIG. 9;
 FIG. 12 is a REAR VIEW of the second variant of FIG. 9;
 FIG. 13 is a TOP VIEW of the second variant of FIG. 9;
 FIG. 14 is a BOTTOM VIEW of the second variant of FIG. 9;
 FIG. 15 is a FRONT TOP PERSPECTIVE VIEW of the second variant of FIG. 9;
 FIG. 16 is a REAR TOP PERSPECTIVE VIEW of the second variant of FIG. 9;
 FIG. 17 is a LEFT SIDE VIEW of a third variant of the video converter;
 FIG. 18 is a FRONT VIEW of the third variant of FIG. 17;
 FIG. 19 is a RIGHT SIDE VIEW of the third variant of FIG. 17;
 FIG. 20 is a REAR VIEW of the third variant of FIG. 17;
 FIG. 21 is a TOP VIEW of the third variant of FIG. 17;
 FIG. 22 is a BOTTOM VIEW of the third variant of FIG. 17;
 FIG. 23 is a FRONT TOP PERSPECTIVE VIEW of the third variant of FIG. 17; and,

(Continued)

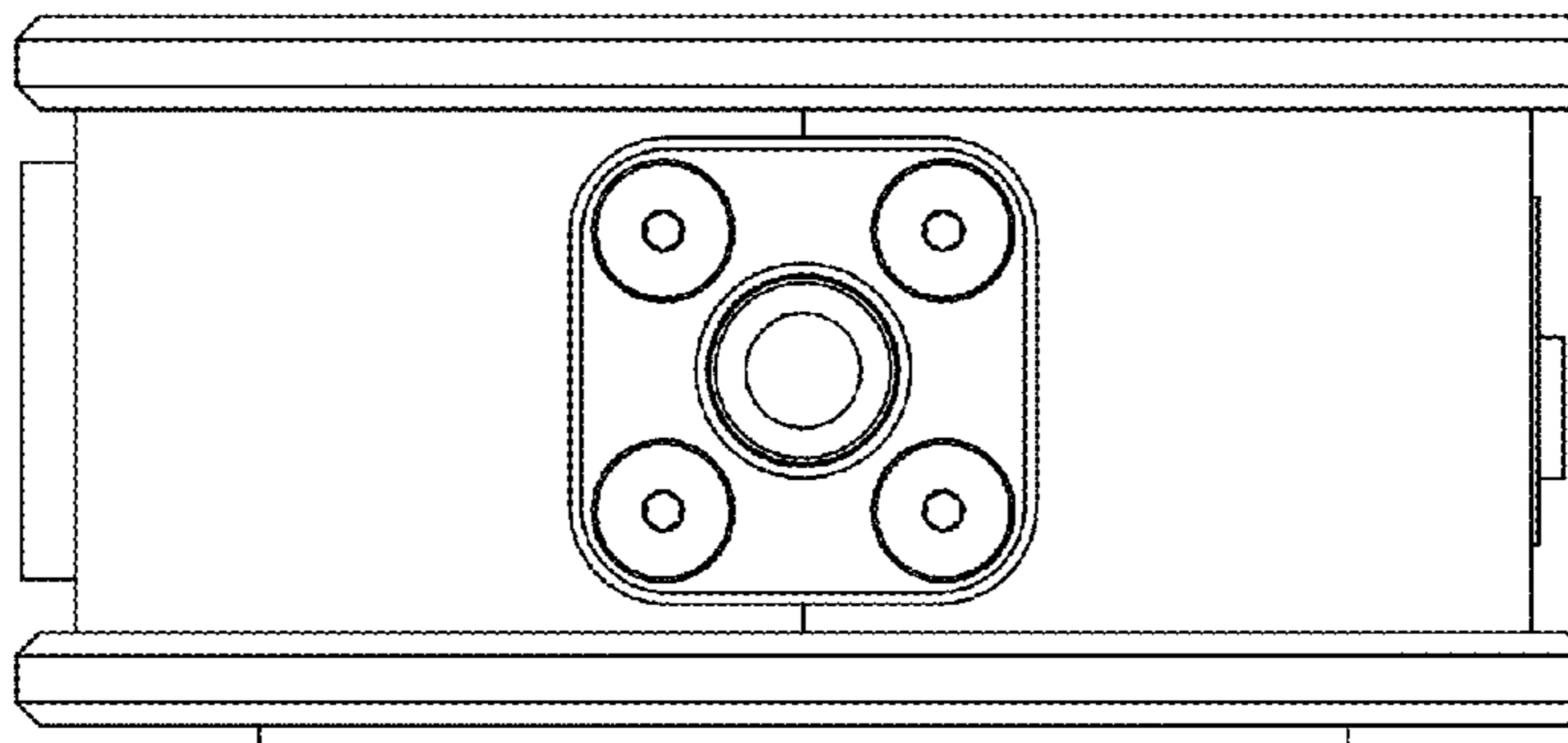


FIG. 24 is a REAR TOP PERSPECTIVE VIEW of the third variant of FIG. 17.

The elements and structures shown in dashed lines are shown for illustration purposes only and do not form part of the design.

1 Claim, 24 Drawing Sheets

(58) Field of Classification Search

USPC 312/7.2; 348/836, 838, 180, 184, 325,
348/739; 248/917-924, 465; 345/104,
345/133, 156, 168, 87, 173; D21/329,
D21/515, 577, 622, 333, 433, 448, 452,
D21/450, 331, 505; D10/15, 26;
446/484, 175, 356; D6/477, 479, 300;
D24/185; D34/14

CPC ... G06F 1/1601; G06F 1/1643; H05K 5/0004;
H05K 5/0017; H05K 5/02; H05K 5/0217

See application file for complete search history.

(56) References Cited

U.S. PATENT DOCUMENTS

D677,280 S * 3/2013 Petty D14/496
D708,642 S * 7/2014 Vanzella D14/496
D735,684 S * 8/2015 Zealer D14/125

* cited by examiner

FIGURE 1

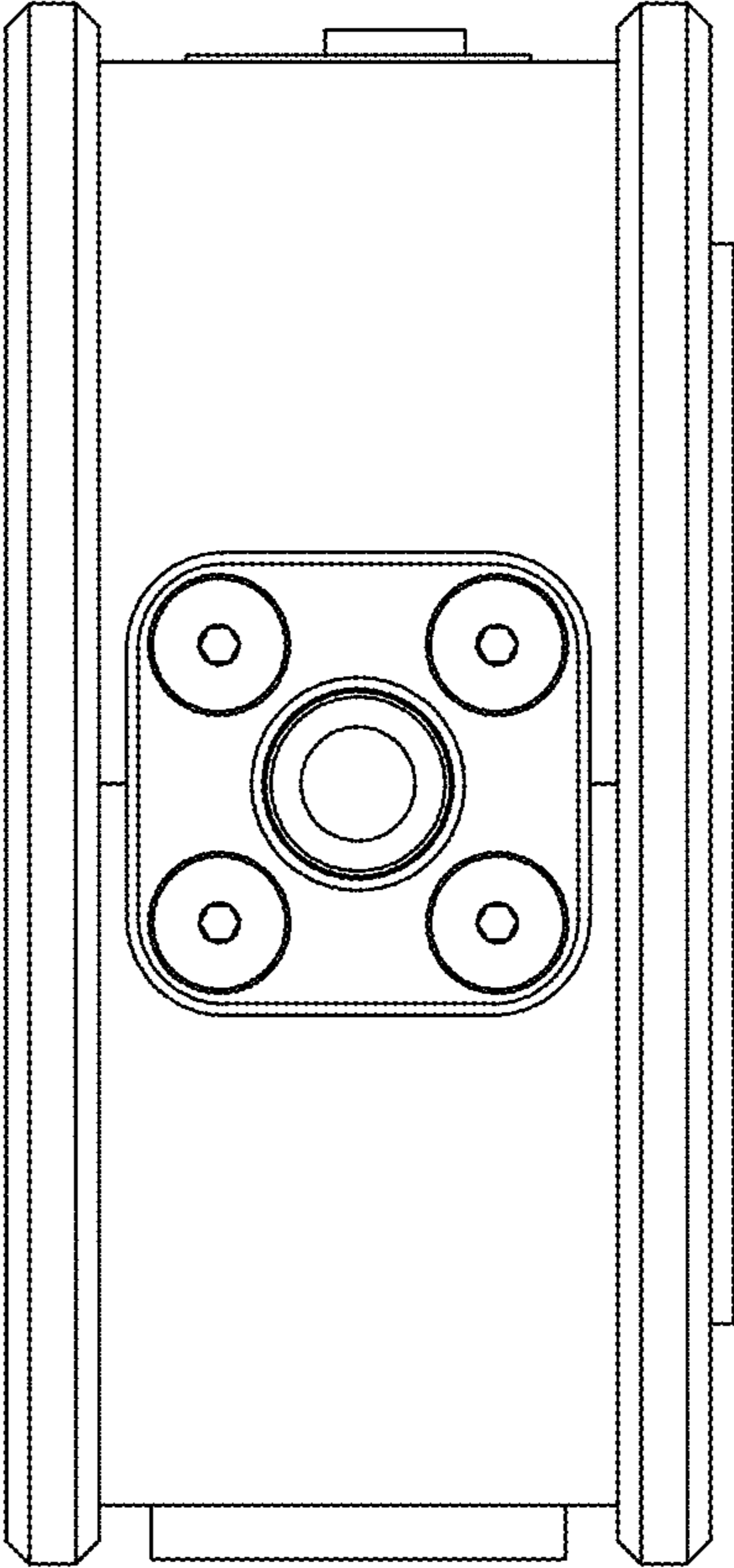


FIGURE 2

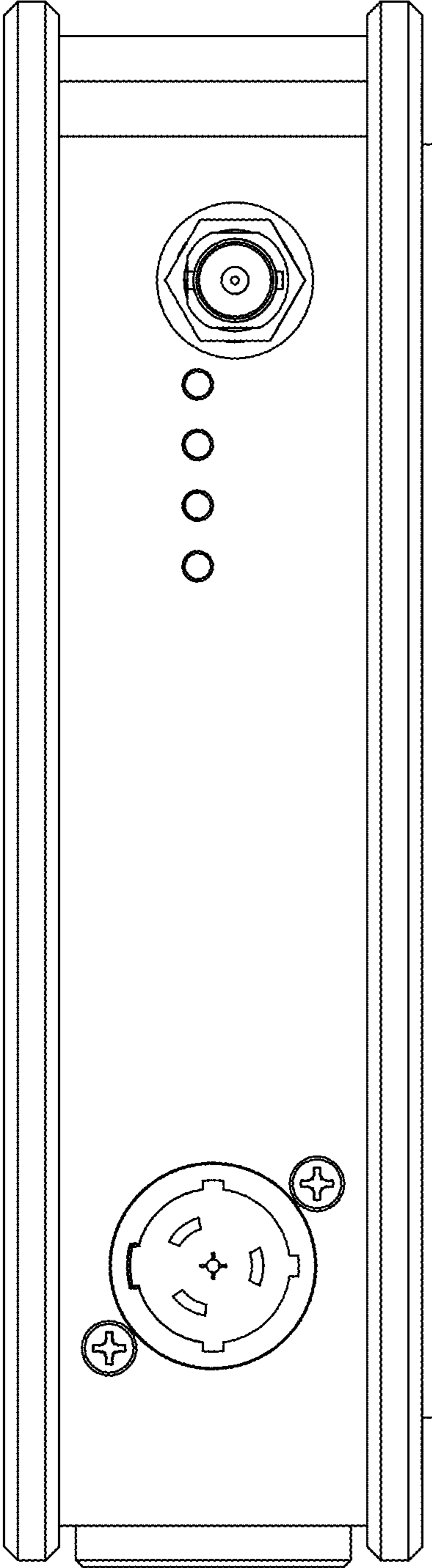


FIGURE 3

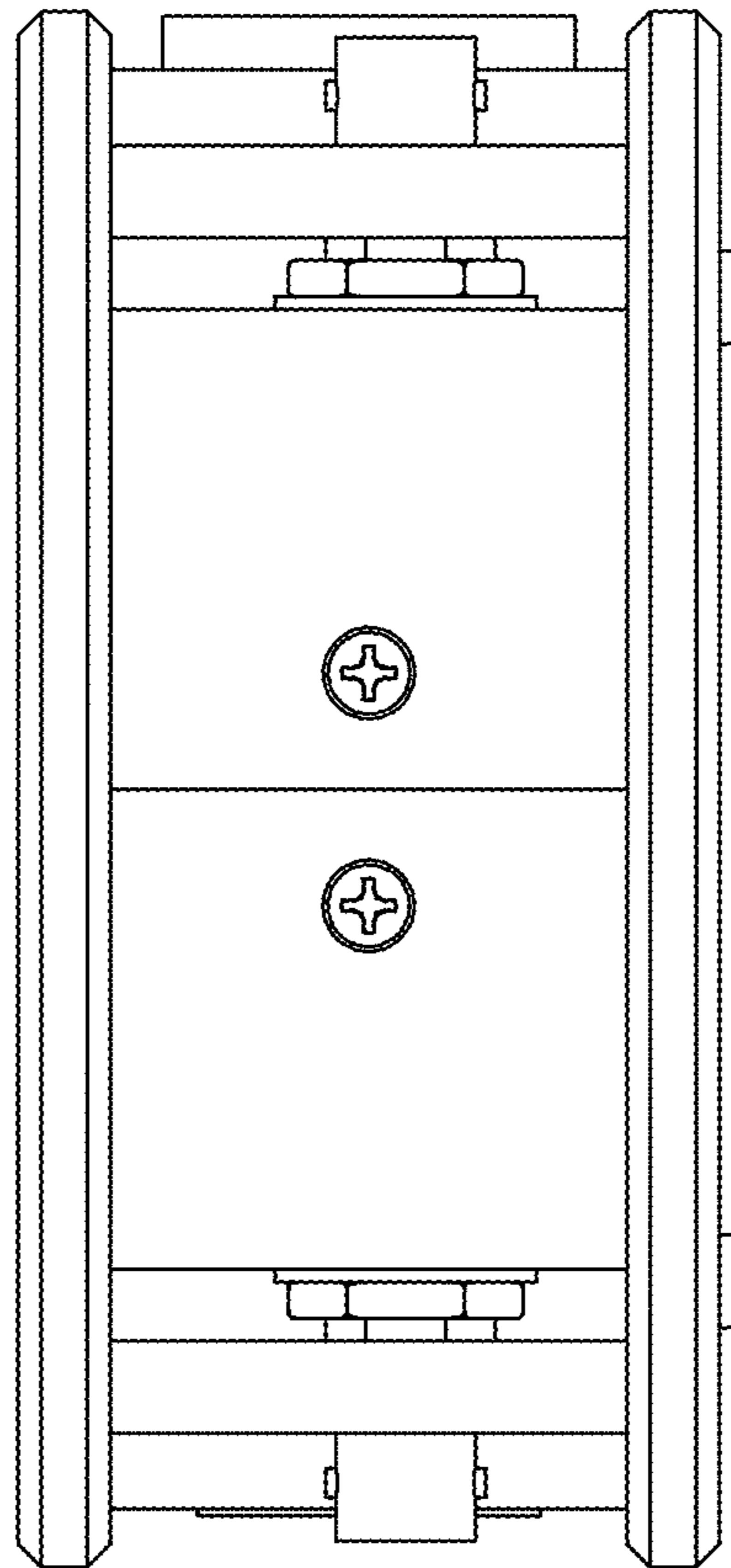


FIGURE 4

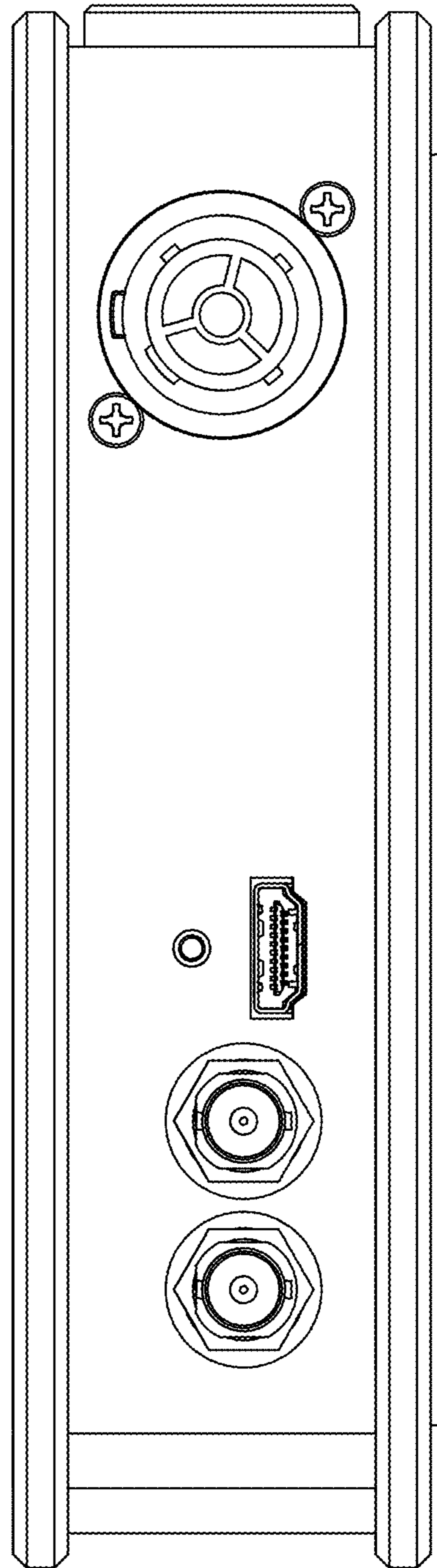


FIGURE 5

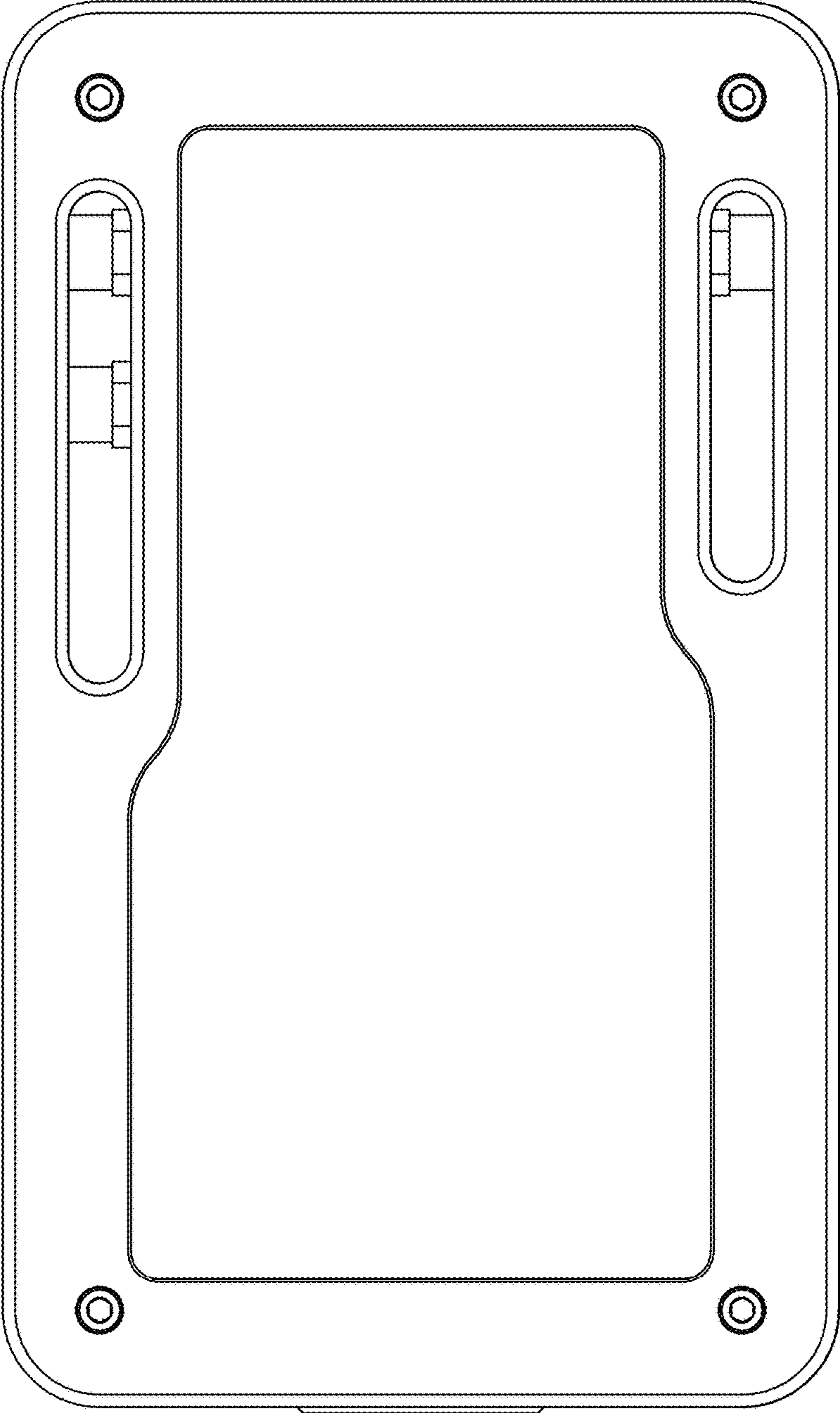


FIGURE 6

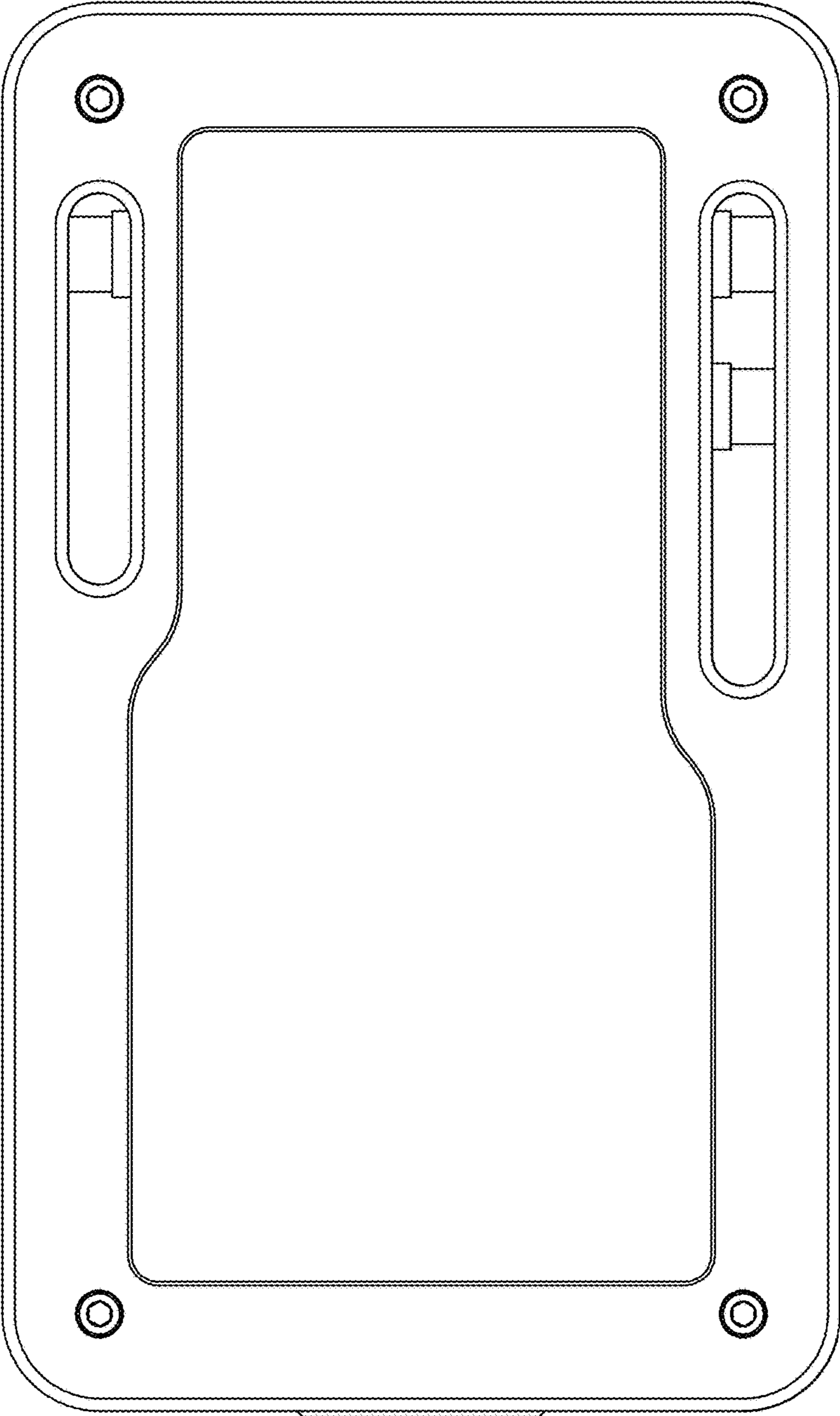


FIGURE 7

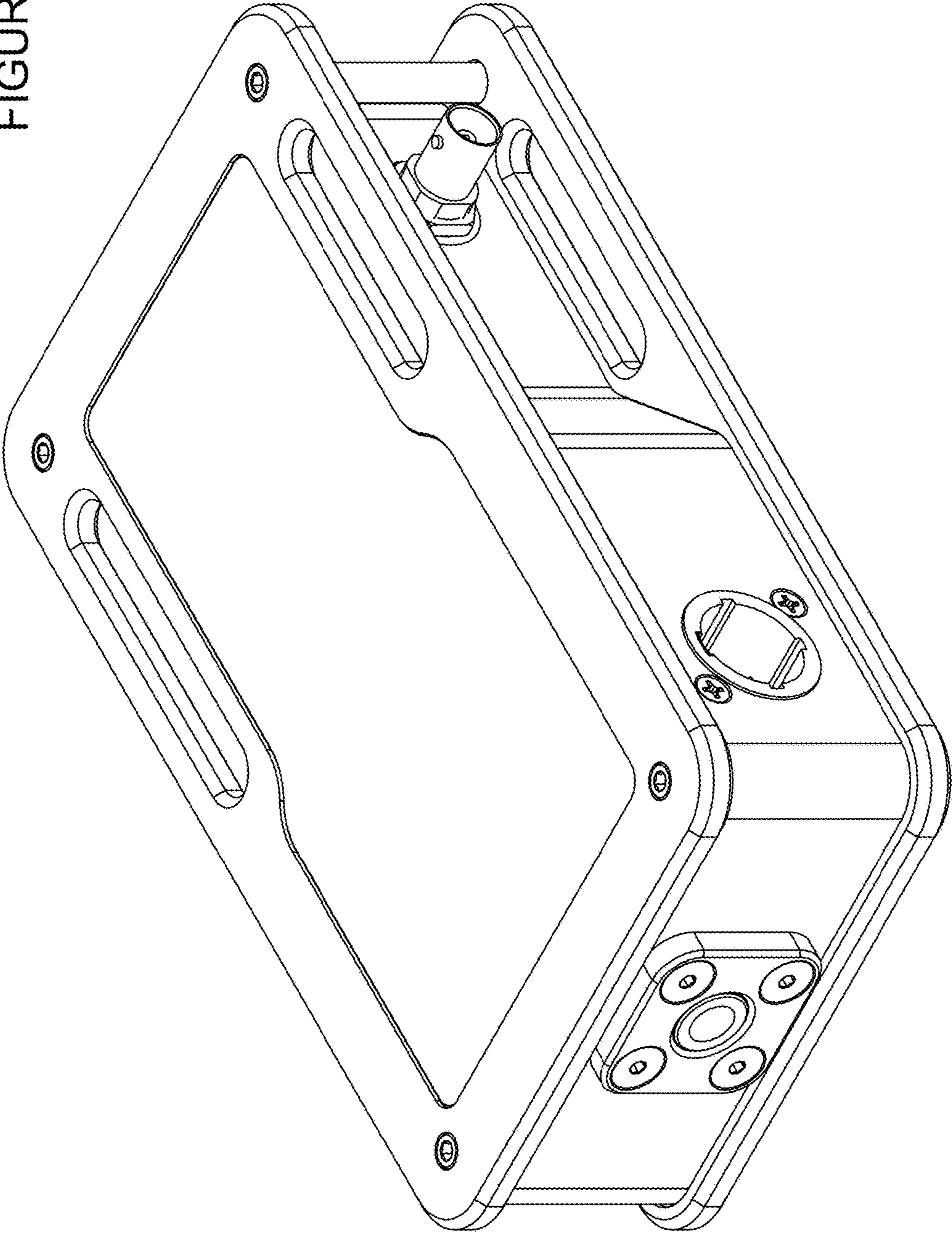


FIGURE 8

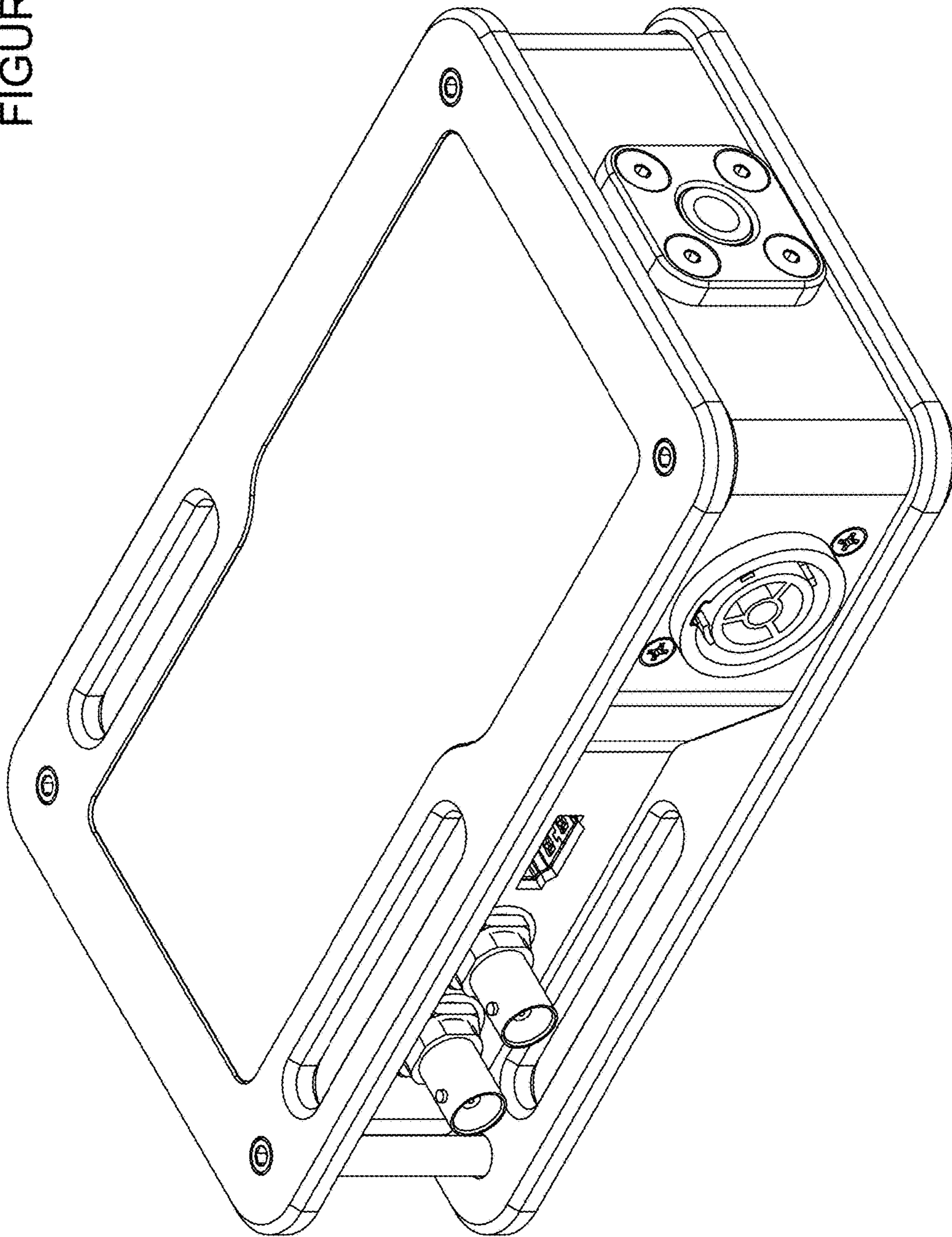


FIGURE 9

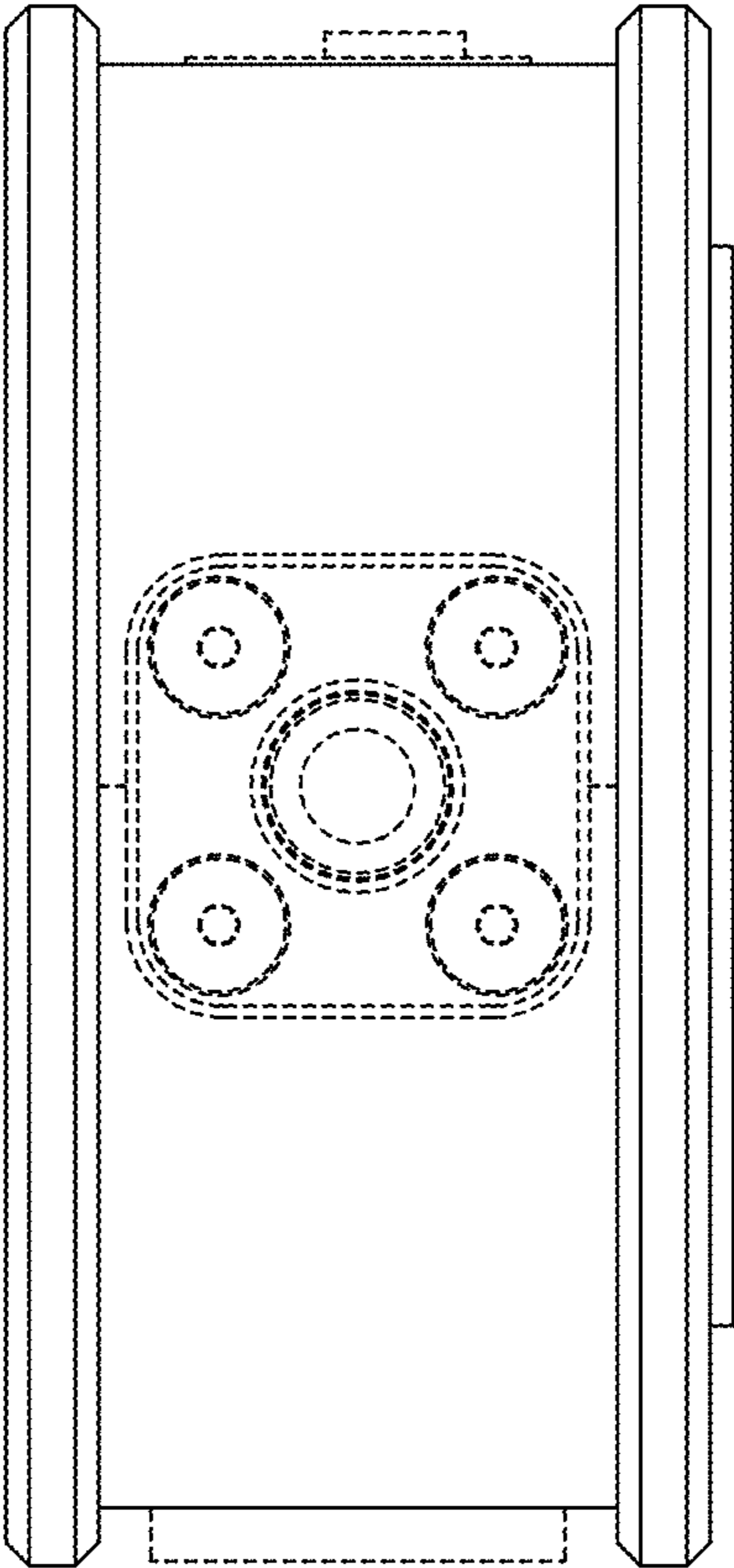


FIGURE 10

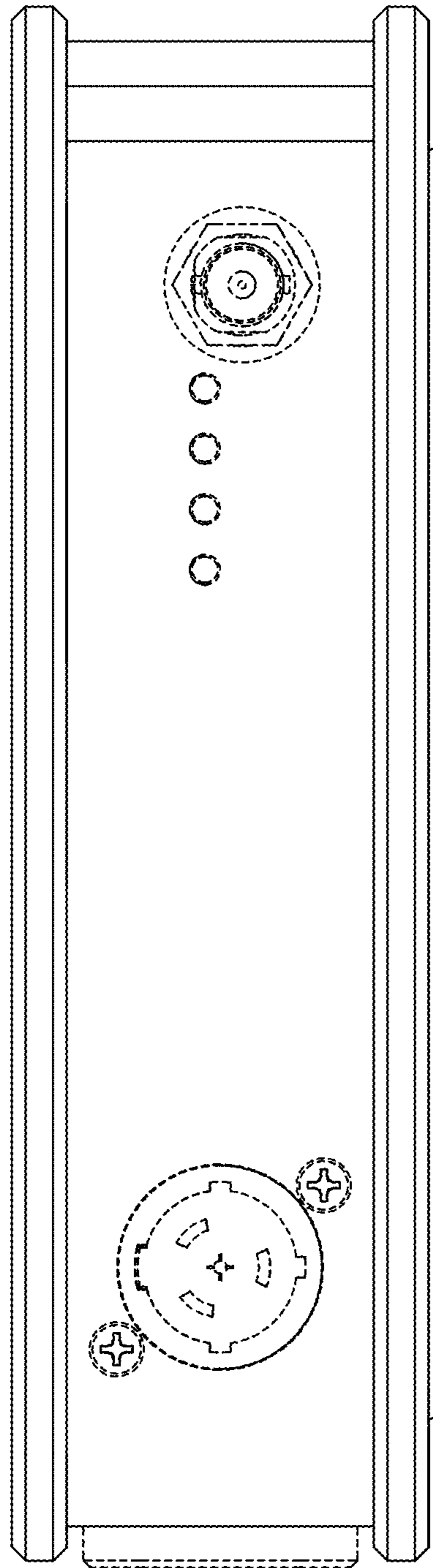


FIGURE 11

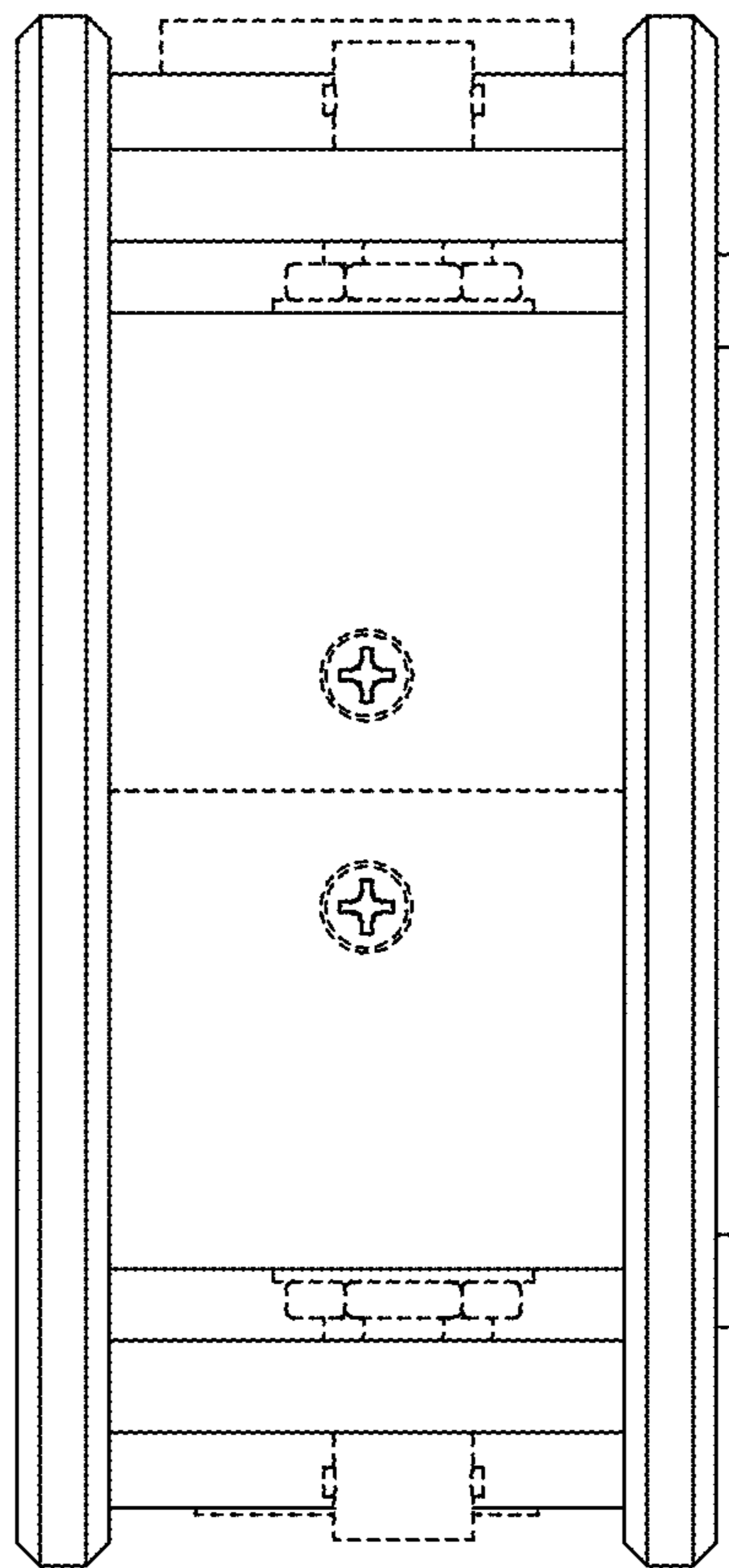


FIGURE 12

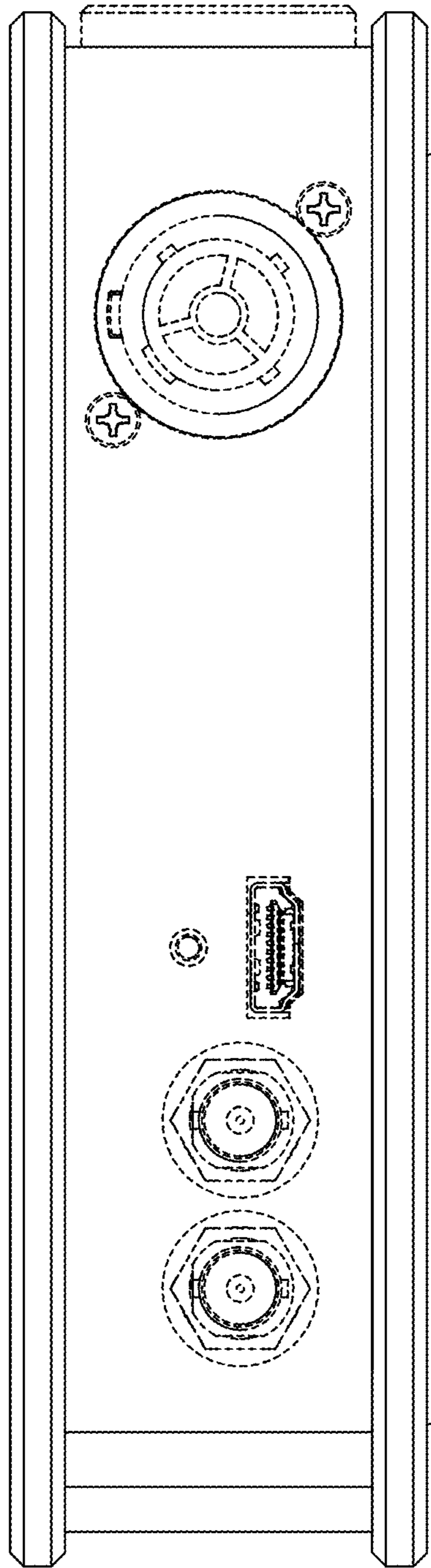


FIGURE 13

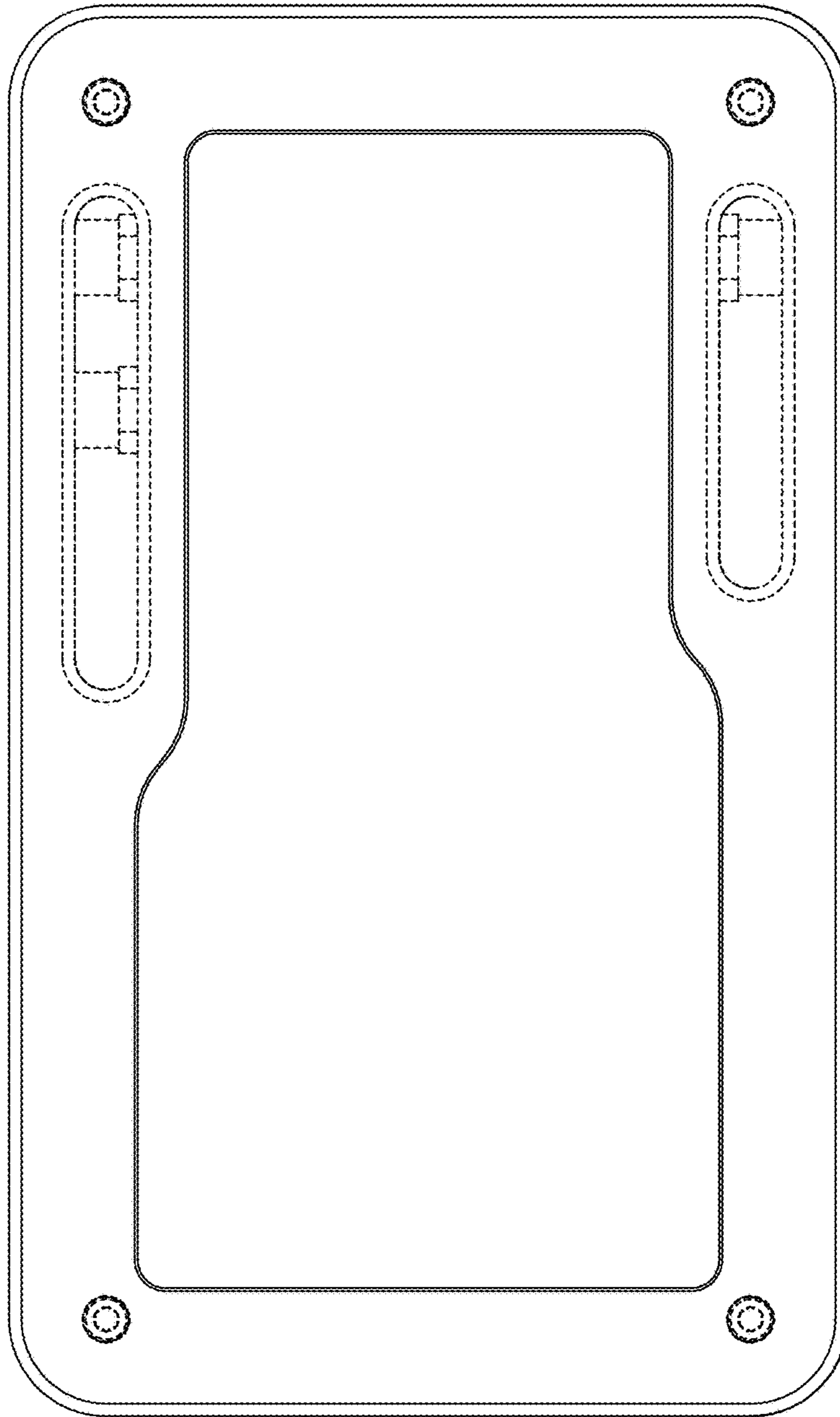


FIGURE 14

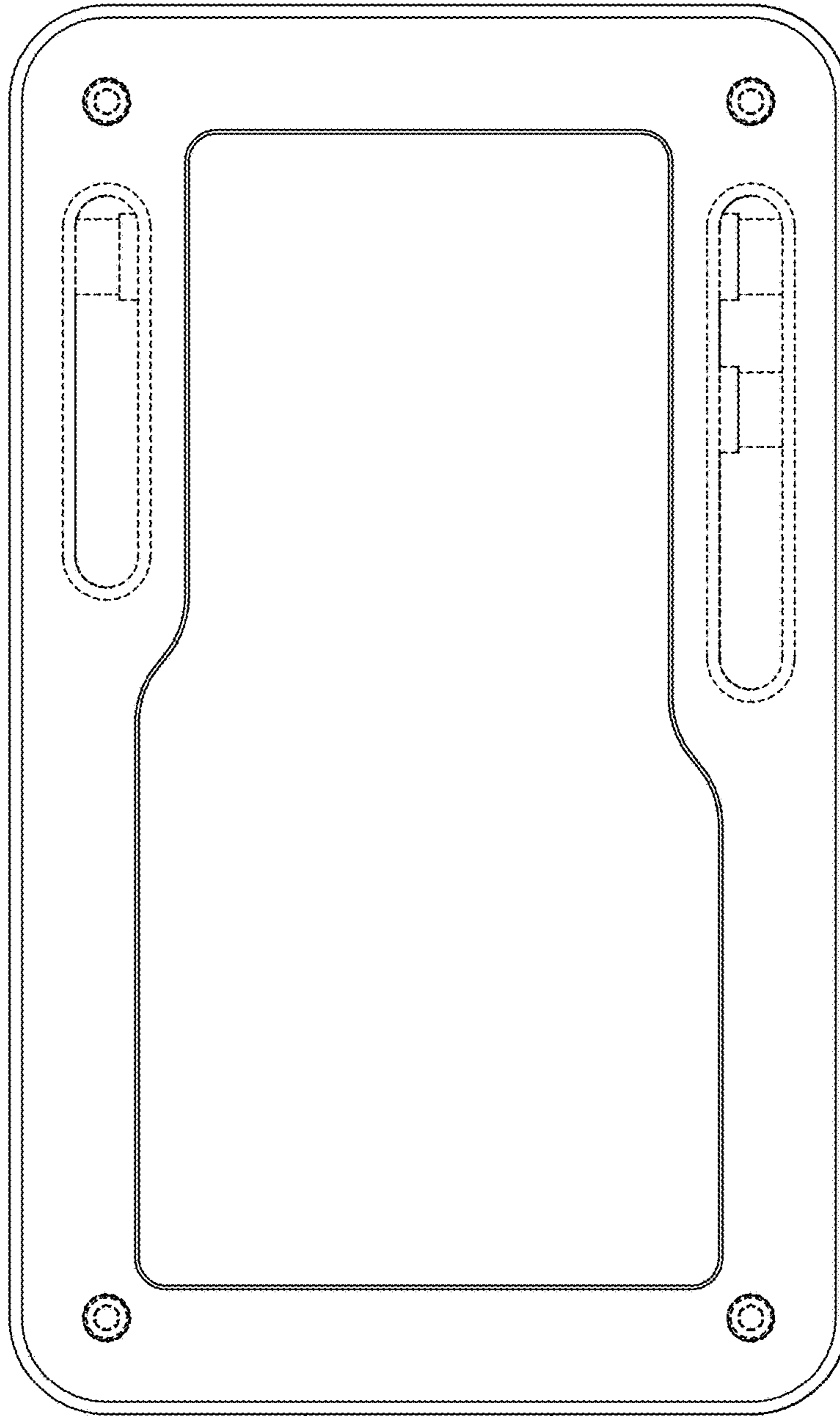


FIGURE 15

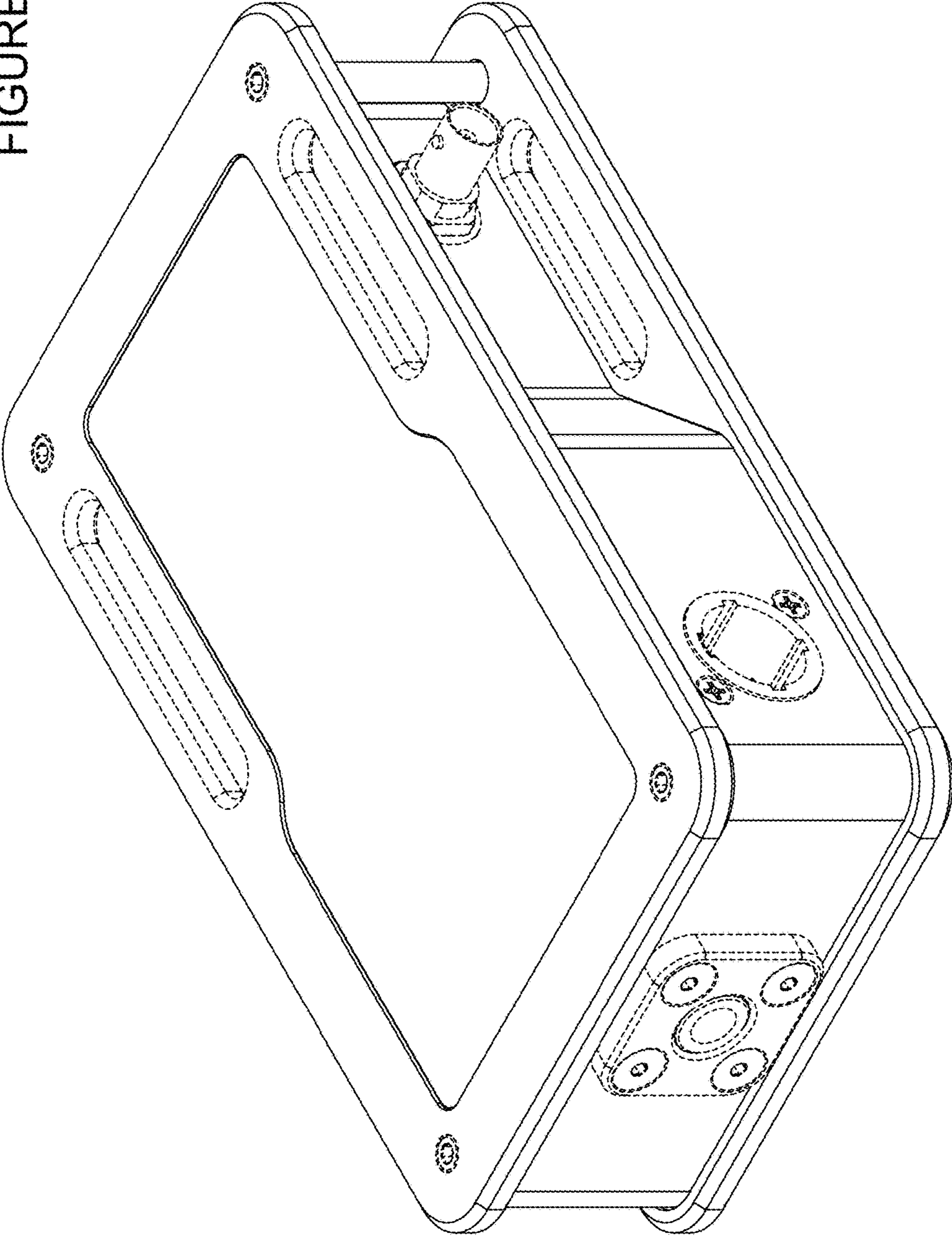


FIGURE 16

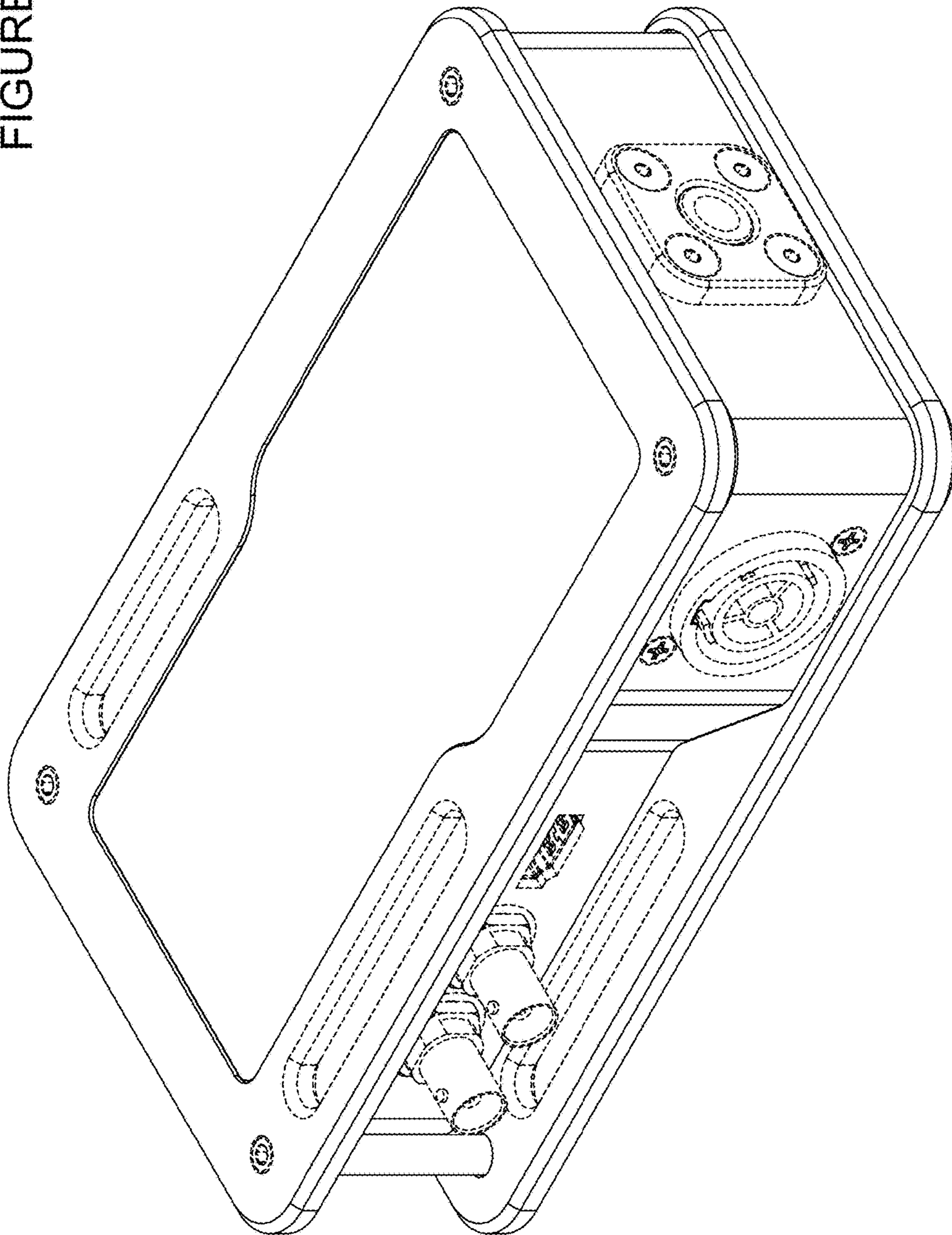


FIGURE 17

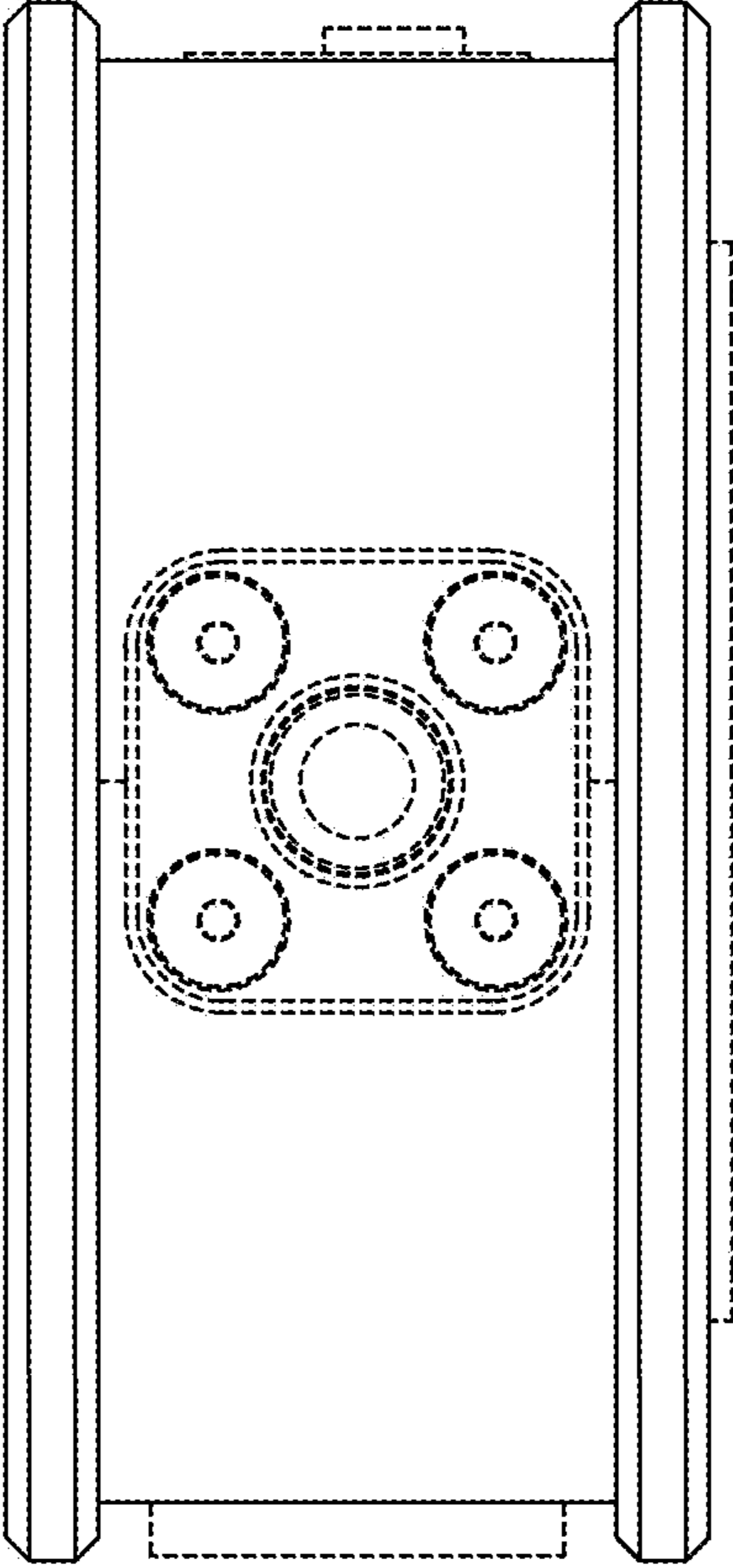


FIGURE 18

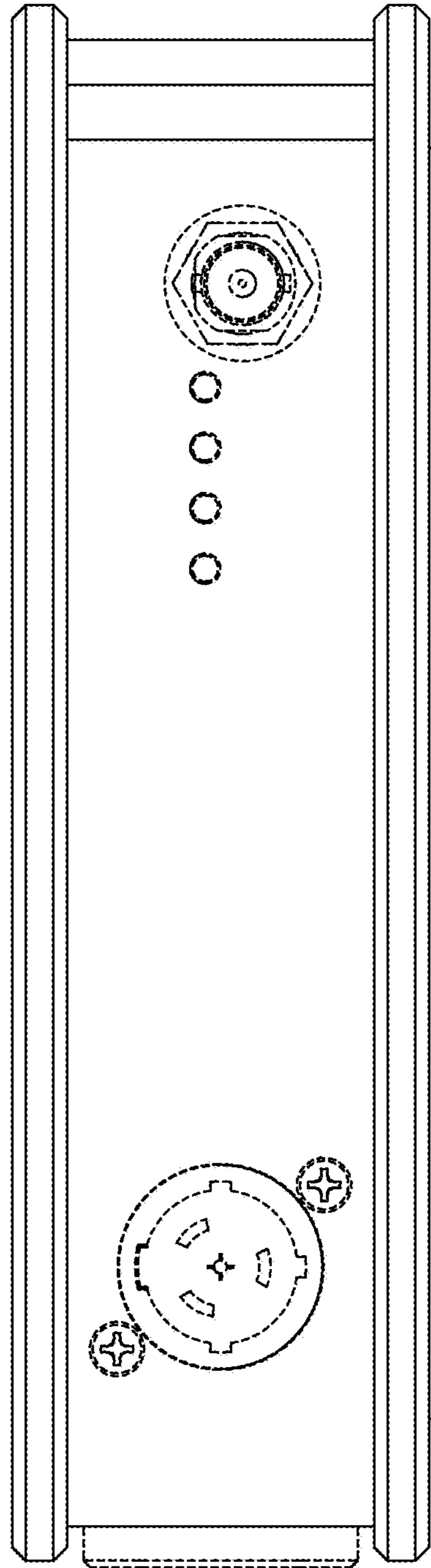


FIGURE 19

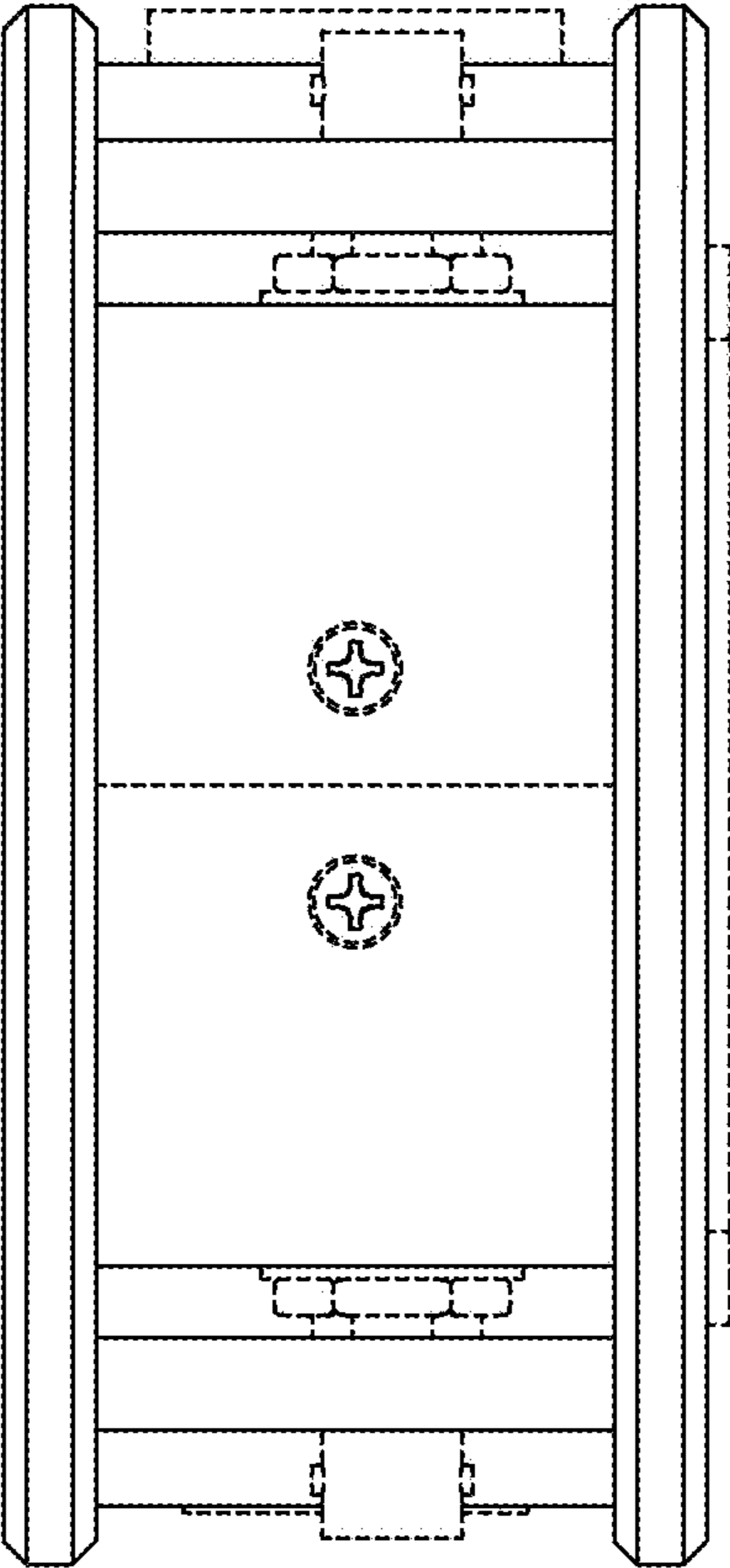


FIGURE 20

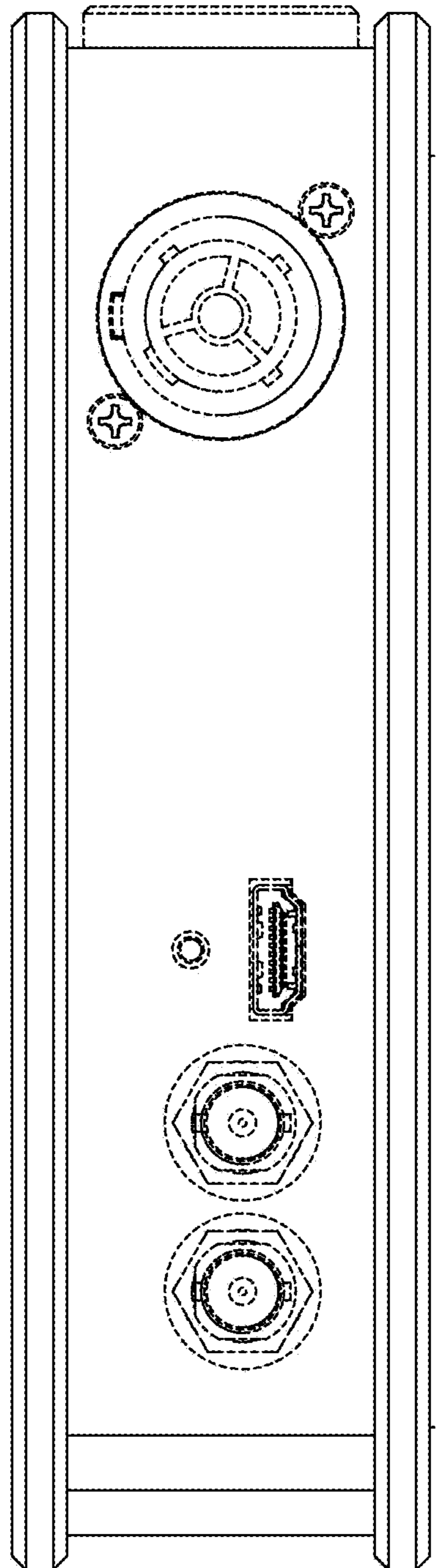


FIGURE 21

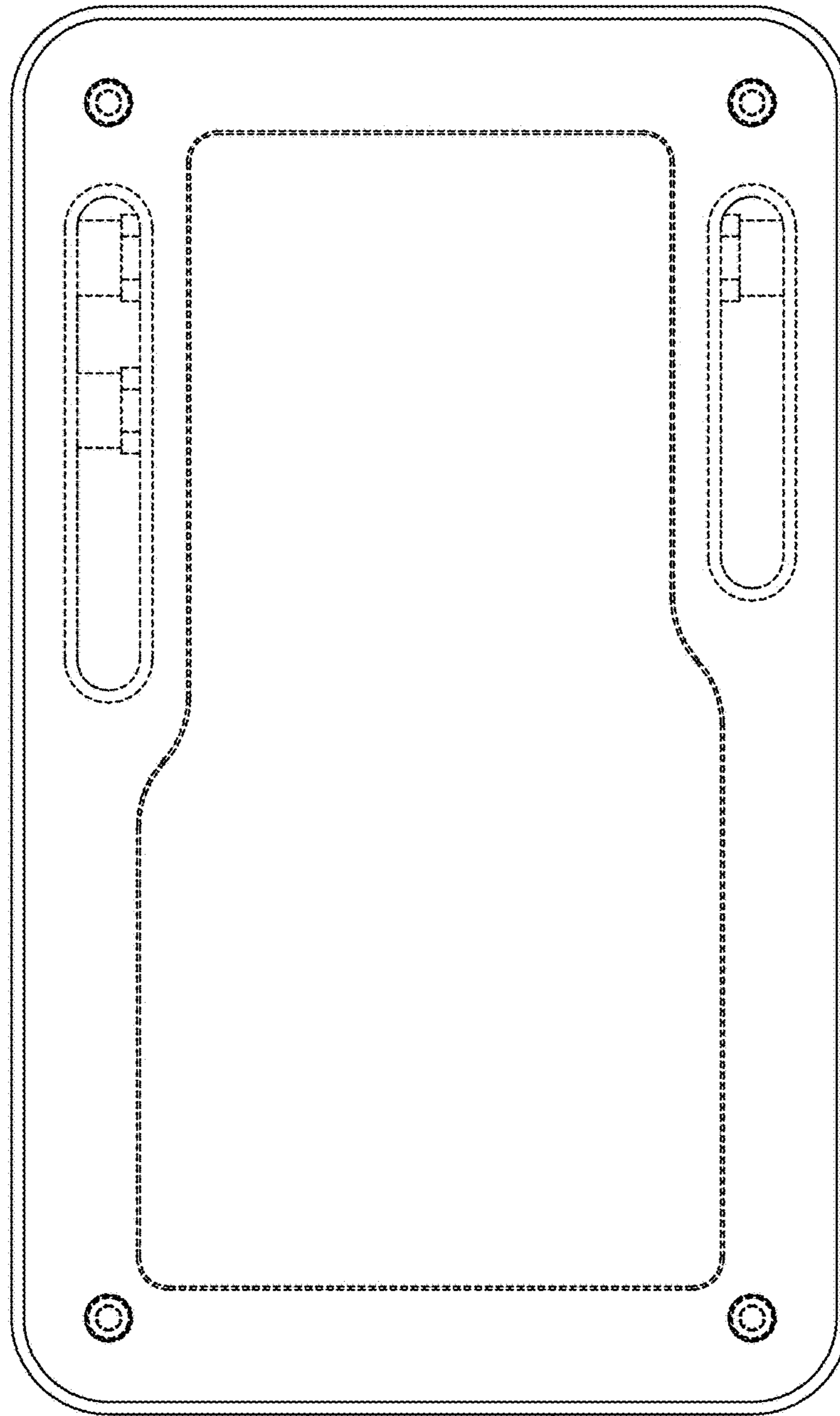


FIGURE 22

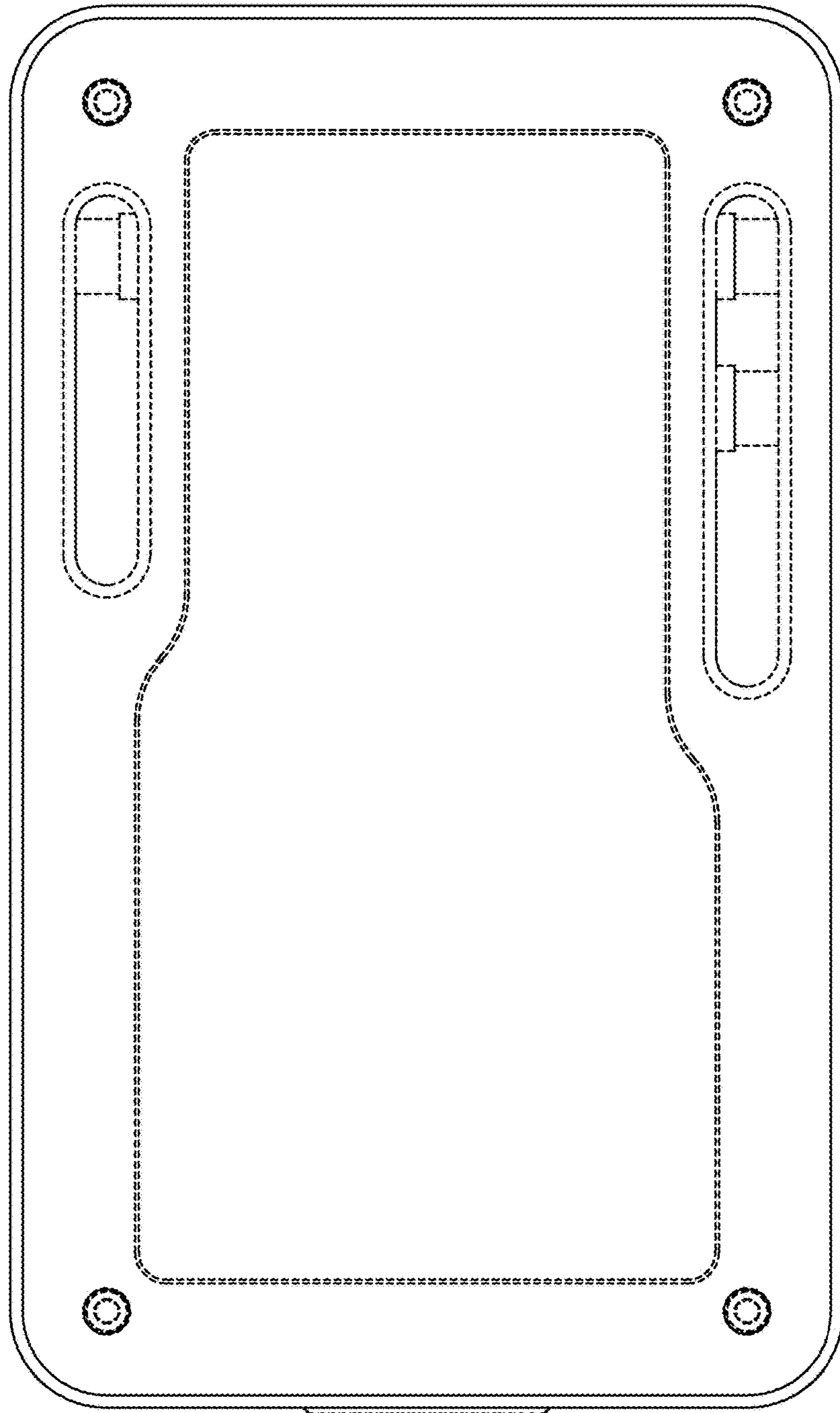


FIGURE 24

