



US00D824886S

(12) **United States Design Patent**
Gosalia

(10) **Patent No.:** **US D824,886 S**

(45) **Date of Patent:** **** Aug. 7, 2018**

- (54) **ANTENNA**
- (71) Applicant: **Airgain Incorporated**, San Diego, CA (US)
- (72) Inventor: **Keyoor Gosalia**, Carlsbad, CA (US)
- (73) Assignee: **Airgain Incorporated**, San Diego, CA (US)
- (**) Term: **15 Years**
- (21) Appl. No.: **29/595,156**
- (22) Filed: **Feb. 25, 2017**
- (51) **LOC (11) Cl.** **14-03**
- (52) **U.S. Cl.**
USPC **D14/230**
- (58) **Field of Classification Search**
USPC D14/137, 138 R, 138 AA, 148, 155, 167,
D14/168, 230–238, 240, 242, 265, 299,
D14/343, 358, 204, 214, 218, 221, 509,
D14/203.6, 216, 238.1
CPC H01Q 7/00; H01Q 13/10; H01Q 9/285;
H01Q 19/30; H01Q 19/12; H01Q 1/38;
H01Q 1/36; H01Q 1/0475; H01Q 1/034;
H05K 11/00; G05D 1/0234
See application file for complete search history.

(56) **References Cited**
U.S. PATENT DOCUMENTS

7,061,437 B2	6/2006	Lin et al.
7,148,849 B2	12/2006	Lin
7,215,296 B2	5/2007	Abramov et al.
D546,821 S	7/2007	Oliver
D549,696 S	8/2007	Oshima et al.
7,333,067 B2	2/2008	Hung et al.
7,336,959 B2	2/2008	Khitrik et al.
D573,589 S	7/2008	Montgomery et al.
7,405,704 B1	8/2008	Lin et al.
7,477,195 B2	1/2009	Vance

D592,195 S	5/2009	Wu et al.
7,570,215 B2	8/2009	Abramov et al.
D599,334 S	9/2009	Chiang
D603,851 S *	11/2009	Montgomery D14/230
D606,053 S	12/2009	Wu et al.
D607,442 S	1/2010	Su et al.
D608,769 S	1/2010	Bufe
D612,368 S	3/2010	Yang et al.
7,705,783 B2	4/2010	Rao et al.
7,729,662 B2	6/2010	Abramov et al.
D621,819 S	8/2010	Tsai et al.
7,843,390 B2	11/2010	Liu
D633,483 S	3/2011	Su et al.
D635,127 S	3/2011	Tsai et al.
7,907,971 B2	3/2011	Salo et al.
D635,560 S	4/2011	Tsai et al.
D635,963 S	4/2011	Podduturi

(Continued)

Primary Examiner — Jeffrey D Asch
Assistant Examiner — Rebekah A Caruso
(74) *Attorney, Agent, or Firm* — Clause Eight IPS;
Michael Catania

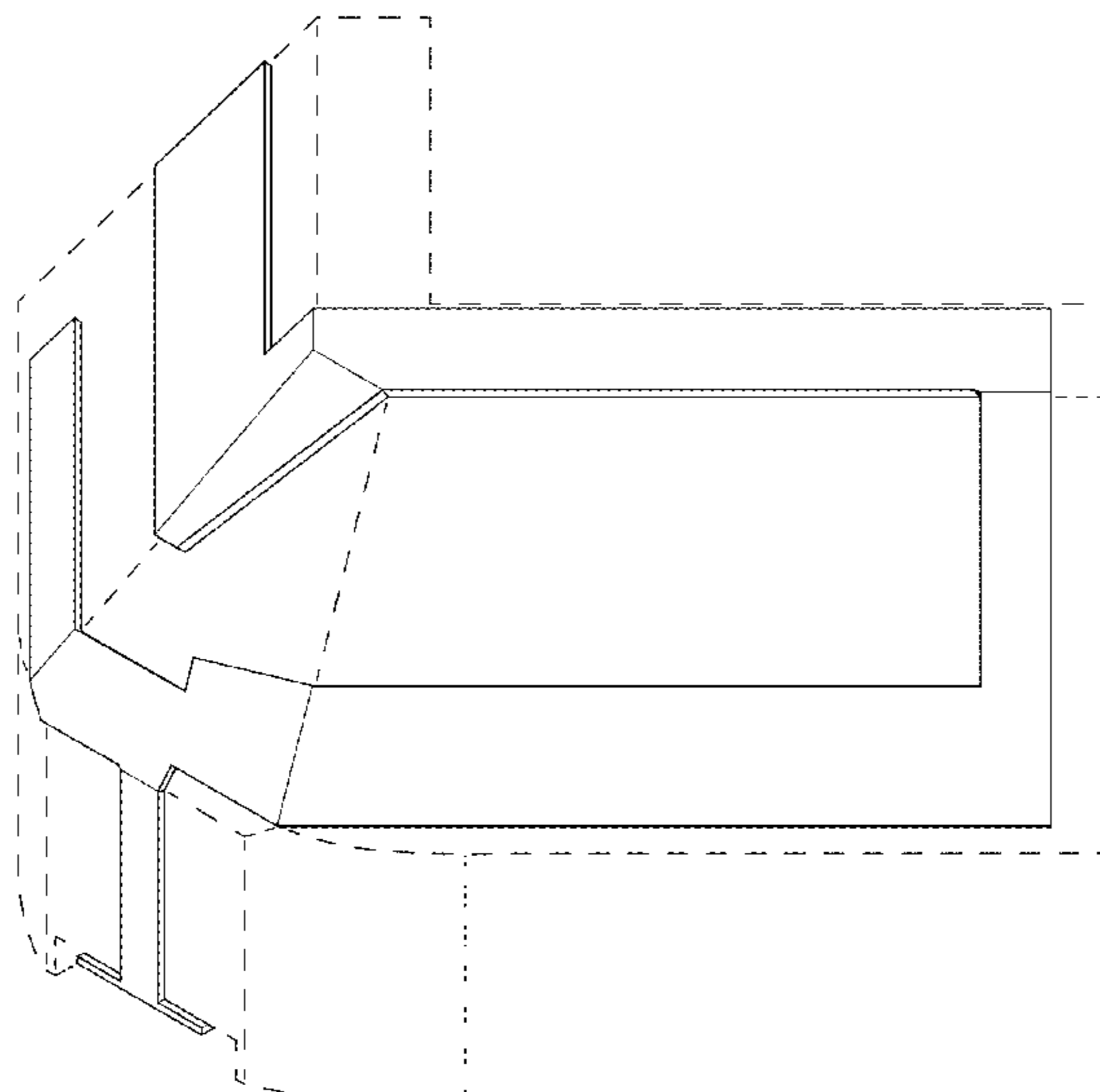
(57) **CLAIM**

The ornamental design for an antenna, as shown and described.

DESCRIPTION

FIG. 1 is a front elevation view of an antenna with a base in broken lines;
FIG. 2 is a side elevation view thereof;
FIG. 3 is a bottom plan view thereof;
FIG. 4 is a top plan view thereof;
FIG. 5 is a rear elevation view thereof; and,
FIG. 6 is a top perspective view thereof.
The outermost solid lines define the bounds of the claimed design, wherein the regions within the solid lines constitute the claimed design.
The broken lines are for illustration purposes only and form no part of the claimed invention.

1 Claim, 6 Drawing Sheets



(56)

References Cited

U.S. PATENT DOCUMENTS

D635,964 S 4/2011 Podduturi
 D635,965 S 4/2011 Mi et al.
 D636,382 S 4/2011 Podduturi
 7,965,242 B2 6/2011 Abramov et al.
 D649,962 S 12/2011 Tseng et al.
 D651,198 S 12/2011 Mi et al.
 D654,059 S 2/2012 Mi et al.
 D654,060 S 2/2012 Ko et al.
 D658,639 S 5/2012 Huang et al.
 D659,129 S 5/2012 Mi et al.
 D659,685 S 5/2012 Huang et al.
 D659,688 S 5/2012 Huang et al.
 8,175,036 B2 5/2012 Visuri et al.
 8,184,601 B2 5/2012 Abramov et al.
 D662,916 S 7/2012 Huang et al.
 8,248,970 B2 8/2012 Abramov et al.
 D671,097 S 11/2012 Mi et al.
 8,310,402 B2 11/2012 Yang
 D676,429 S 2/2013 Gosalia et al.
 D678,255 S 3/2013 Ko et al.
 8,423,084 B2 4/2013 Abramov et al.
 D684,565 S 6/2013 Wei
 D685,352 S 7/2013 Wei
 D685,772 S 7/2013 Zheng et al.
 D686,600 S 7/2013 Yang
 D689,474 S 9/2013 Yang et al.
 D692,870 S 11/2013 He
 D694,738 S 12/2013 Yang
 D695,279 S 12/2013 Yang et al.
 D695,280 S 12/2013 Yang et al.
 8,654,030 B1 2/2014 Mercer
 D703,195 S 4/2014 Zheng
 D703,196 S 4/2014 Zheng
 D706,247 S 6/2014 Zheng et al.
 D706,750 S 6/2014 Bringuir

D706,751 S 6/2014 Chang et al.
 D707,665 S * 6/2014 Chu D14/230
 D708,602 S 7/2014 Gosalia et al.
 D709,053 S 7/2014 Chang et al.
 D710,832 S 8/2014 Yang
 D710,833 S 8/2014 Zheng et al.
 8,854,265 B1 10/2014 Yang et al.
 D716,775 S 11/2014 Bidermann
 9,130,261 B2 * 9/2015 Chang H01Q 9/0421
 9,432,070 B2 8/2016 Mercer
 D767,542 S * 9/2016 Chang D14/230
 D786,840 S * 5/2017 He D14/230
 D791,108 S * 7/2017 He D14/230
 D792,381 S * 7/2017 He D14/230
 D792,870 S * 7/2017 Zheng D14/230
 D793,373 S * 8/2017 Iellici D14/230
 D793,997 S * 8/2017 Podduturi D14/230
 D795,846 S * 8/2017 Chang D14/230
 D798,277 S * 9/2017 Chang D14/230
 D799,458 S * 10/2017 Chang D14/230
 D801,957 S * 11/2017 He D14/230
 2002/0003499 A1 1/2002 Kouam et al.
 2004/0222936 A1 11/2004 Hung et al.
 2005/0073462 A1 4/2005 Lin et al.
 2005/0190108 A1 9/2005 Lin et al.
 2006/0208900 A1 9/2006 Tavassoli Hozouri
 2007/0030203 A1 2/2007 Tsai et al.
 2008/0150829 A1 6/2008 Lin et al.
 2009/0002244 A1 1/2009 Woo
 2009/0058739 A1 3/2009 Konishi
 2009/0135072 A1 5/2009 Ke et al.
 2009/0262028 A1 10/2009 Murnbru et al.
 2010/0188297 A1 7/2010 Chen et al.
 2010/0309067 A1 12/2010 Tsou et al.
 2011/0006950 A1 1/2011 Park et al.
 2012/0038514 A1 2/2012 Bang
 2012/0229348 A1 9/2012 Chiang
 2012/0242546 A1 9/2012 Hu et al.

* cited by examiner

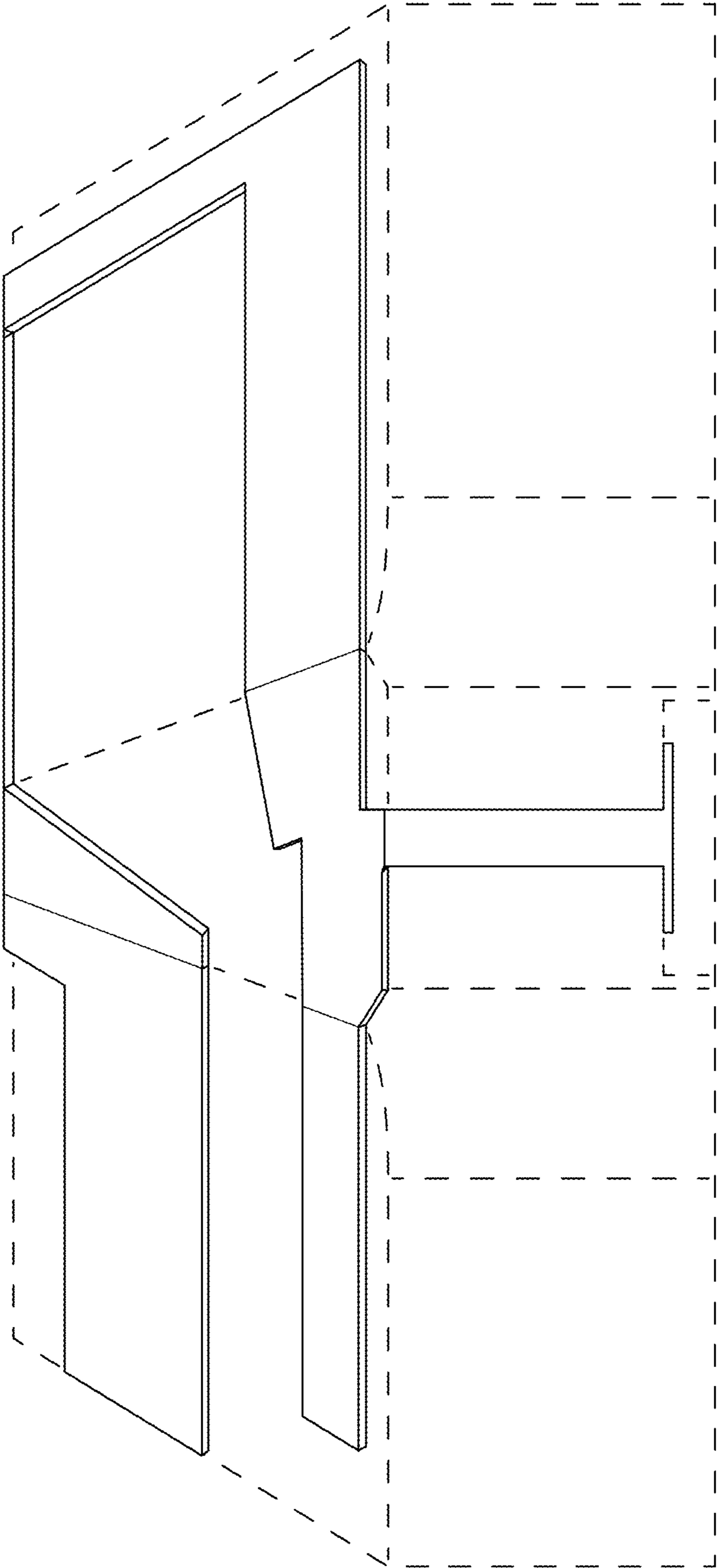


FIG. 1

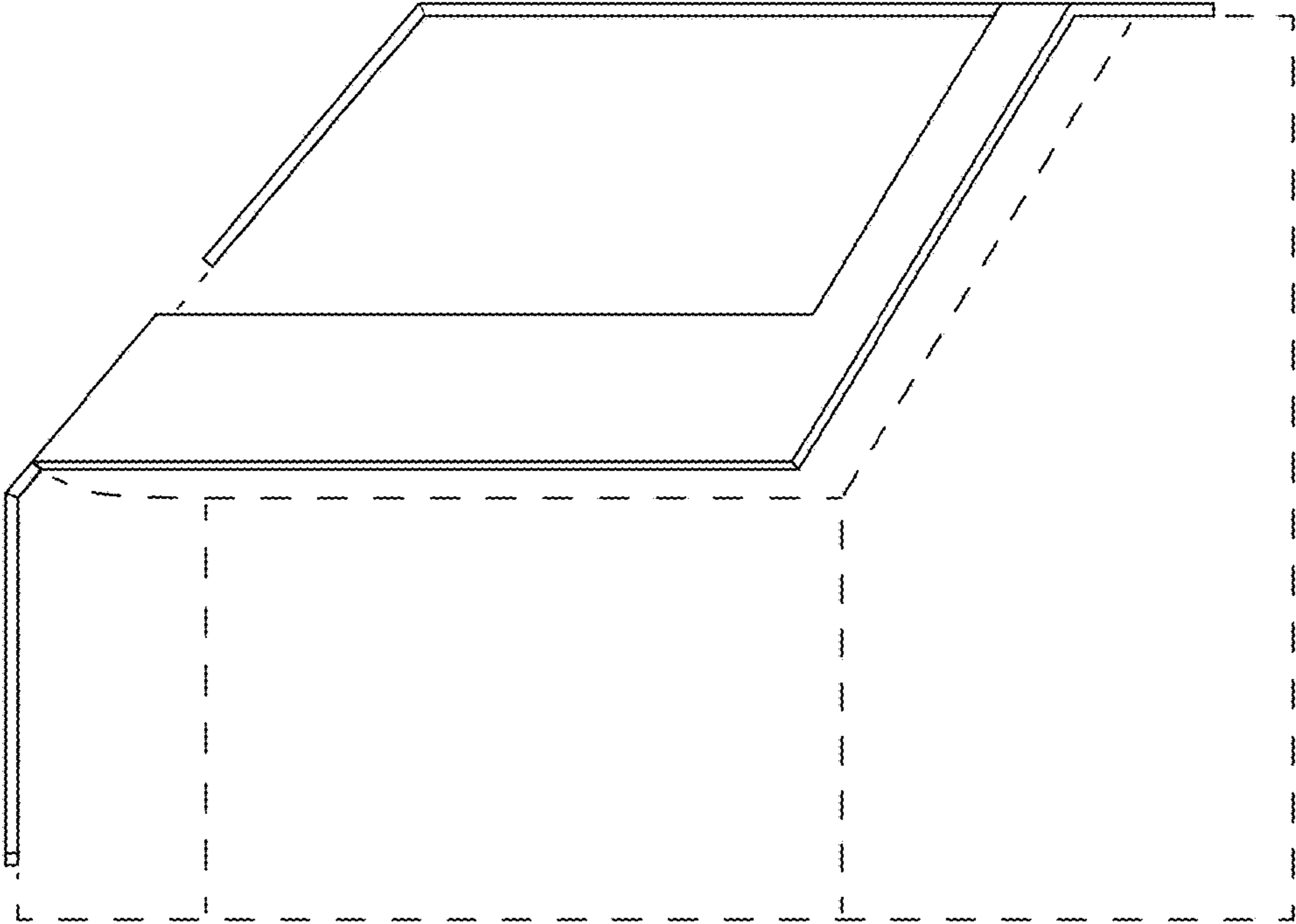


FIG. 2

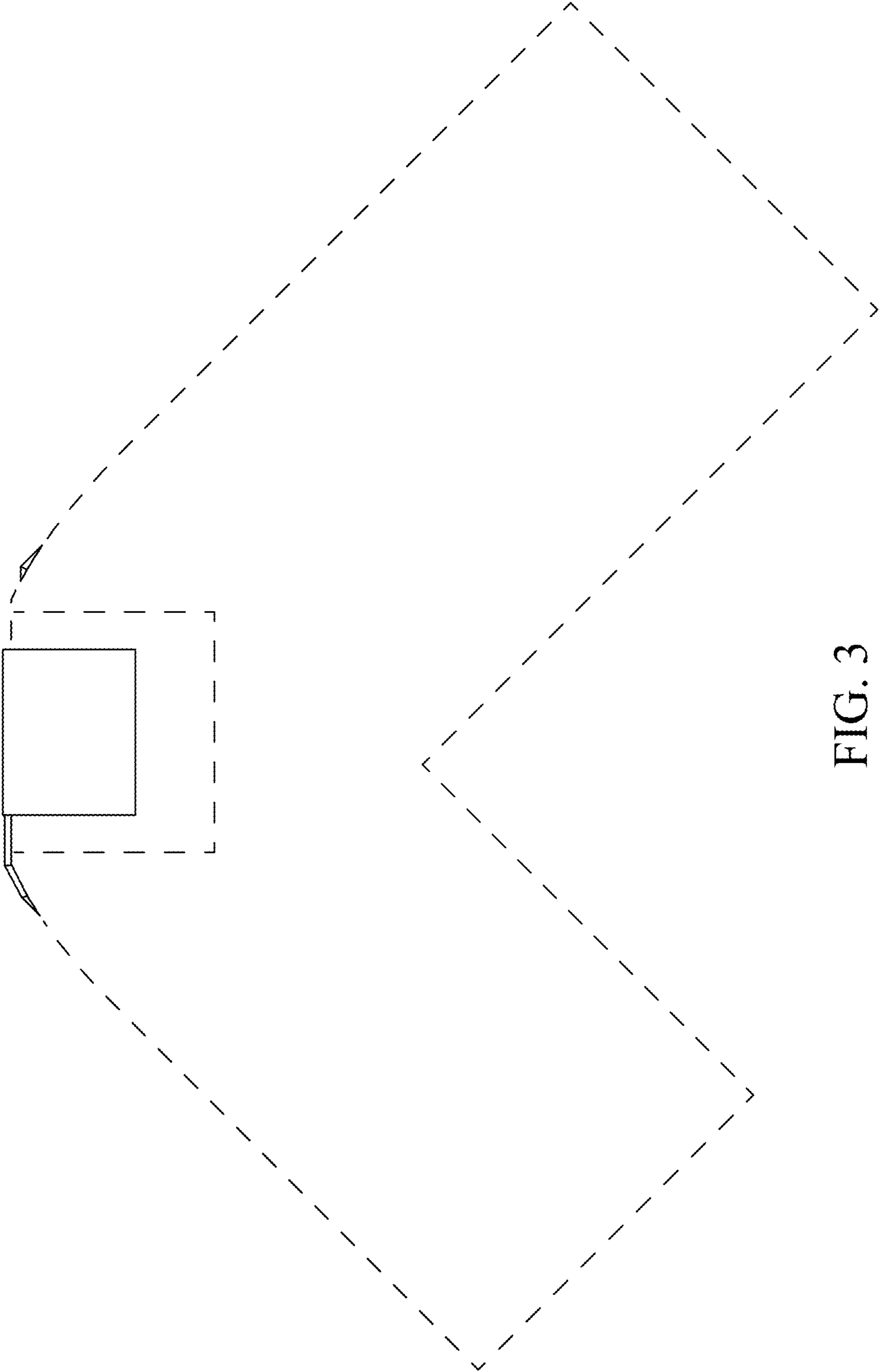


FIG. 3

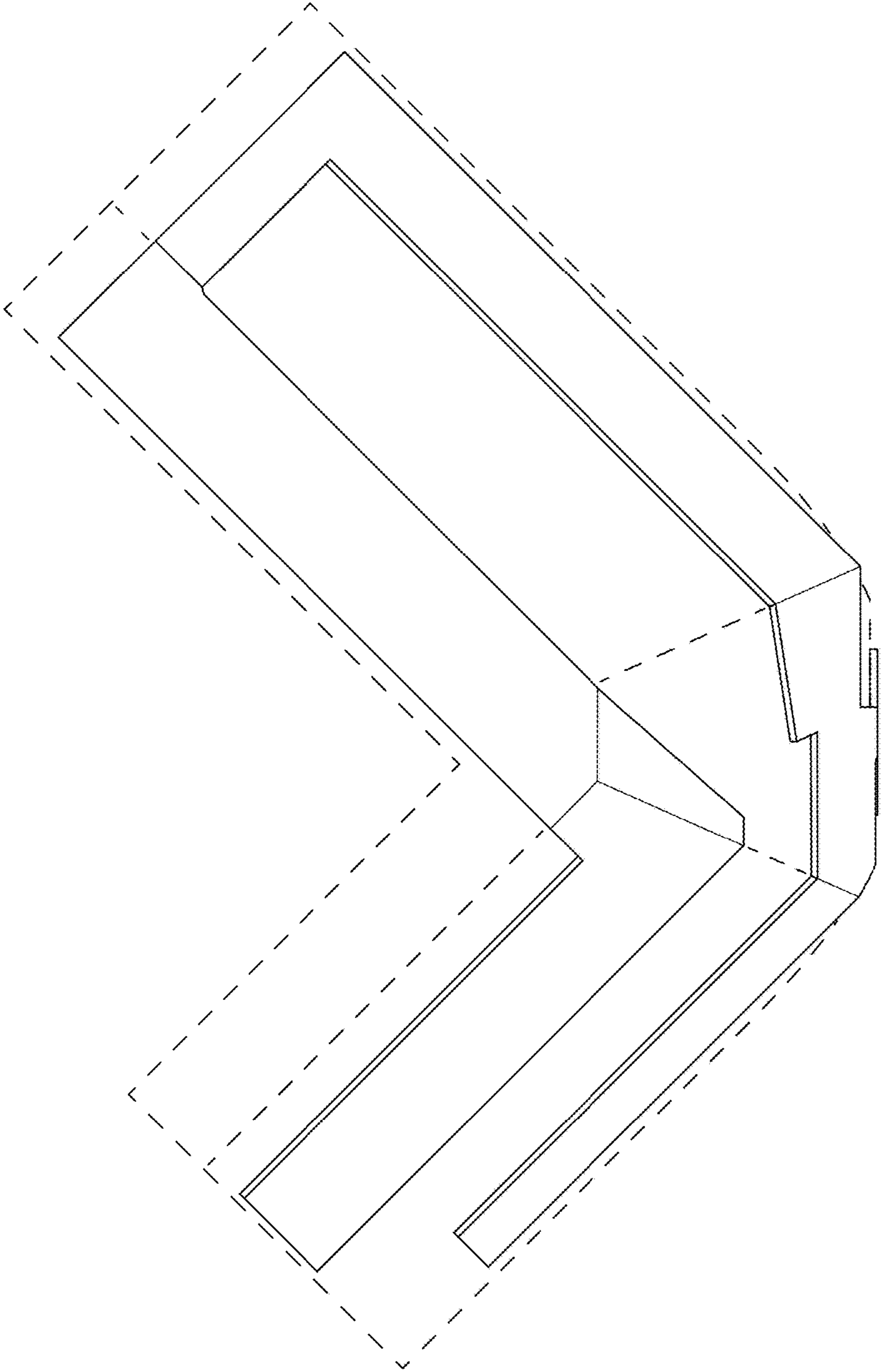


FIG. 4

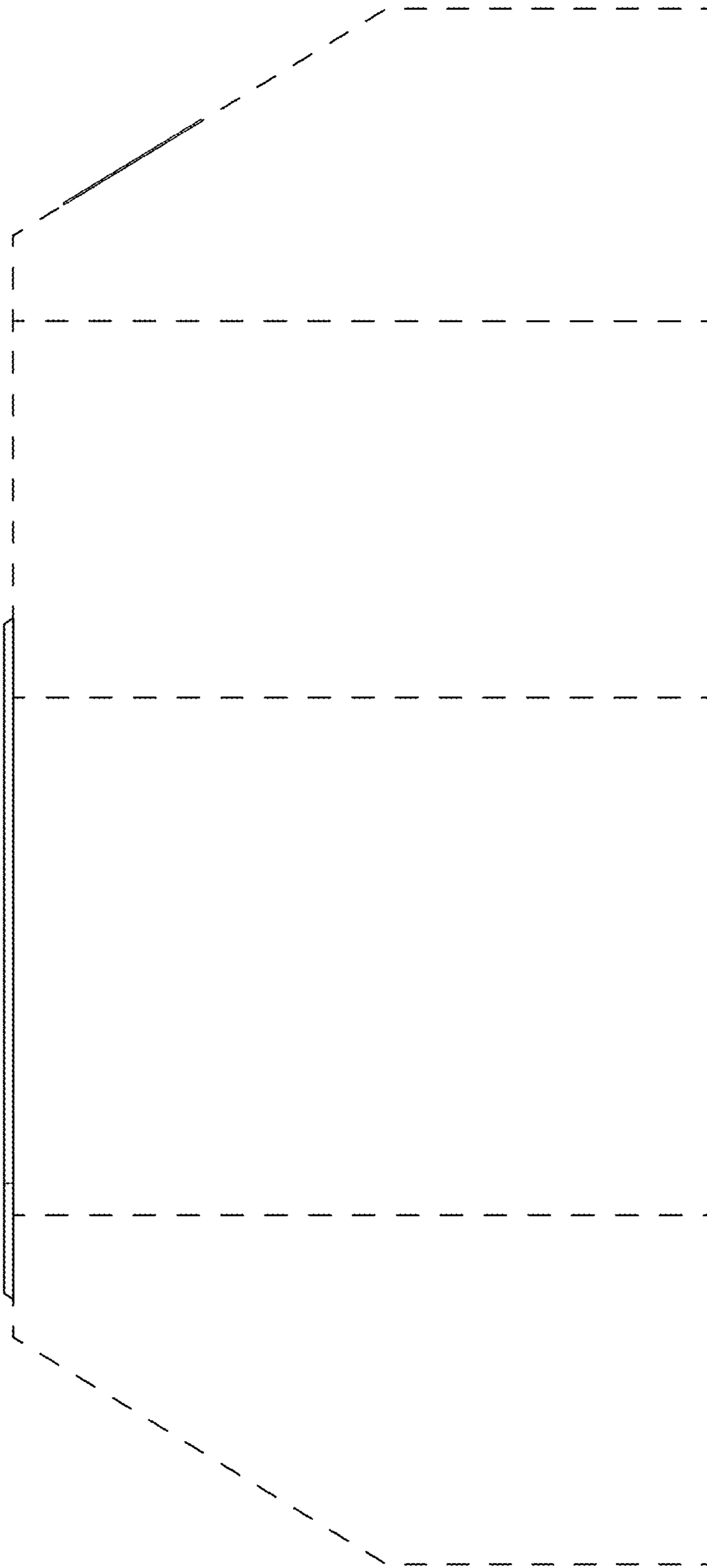


FIG. 5

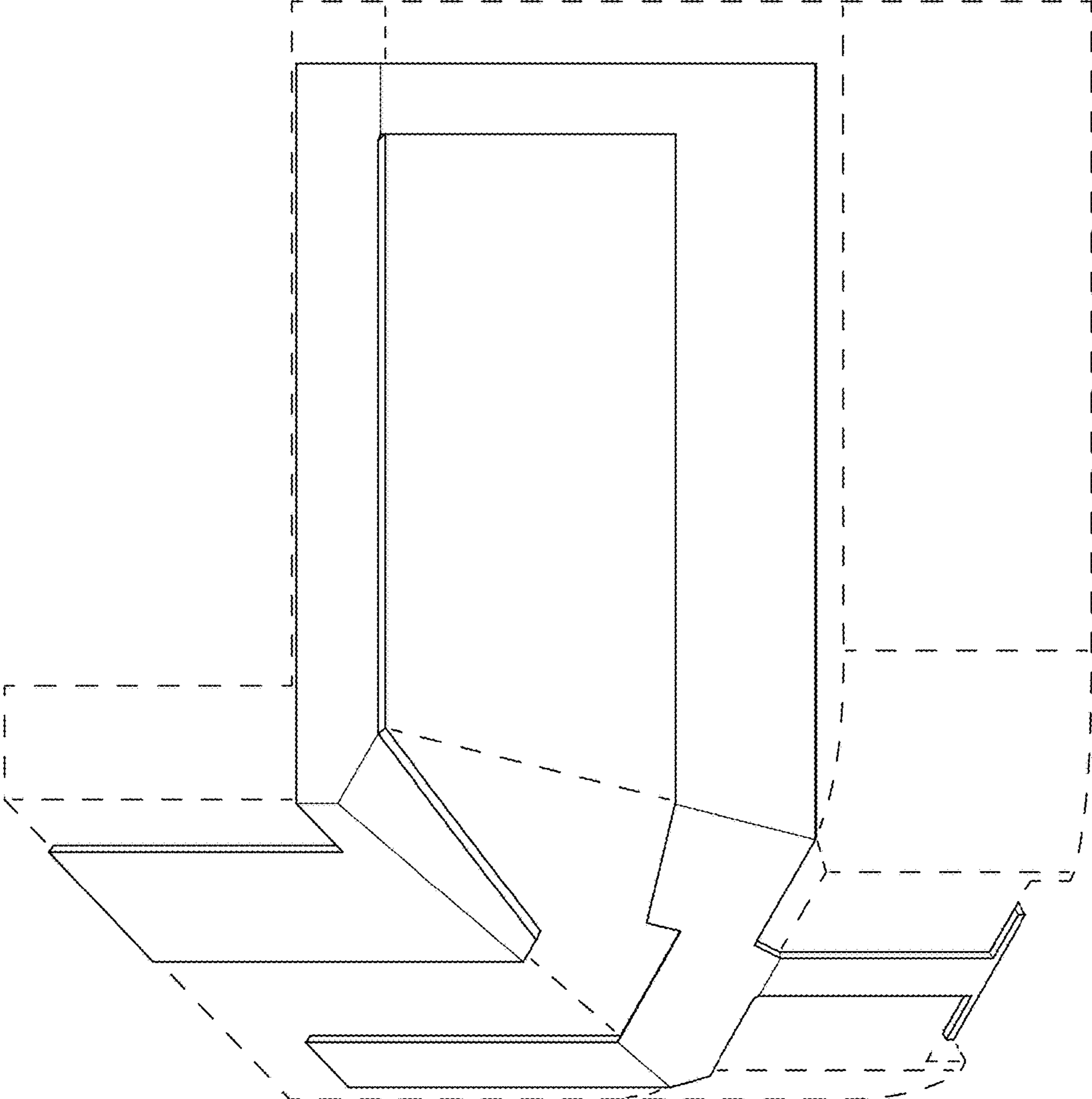


FIG. 6