



US00D824883S

(12) **United States Design Patent** (10) **Patent No.:** **US D824,883 S**
Williamson et al. (45) **Date of Patent:** **** Aug. 7, 2018**

(54) **CONTROL MODULE**
(71) Applicant: **Bose Corporation**, Framingham, MA (US)
(72) Inventors: **Paul C. Williamson**, Providence, RI (US); **Jonathan Salerno**, Marlborough, MA (US)
(73) Assignee: **Bose Corporation**, Framingham, MA (US)
(**) Term: **15 Years**
(21) Appl. No.: **29/599,515**
(22) Filed: **Apr. 4, 2017**
(51) **LOC (11) Cl.** **14-03**
(52) **U.S. Cl.**
USPC **D14/218; D14/205**
(58) **Field of Classification Search**
USPC D13/168; D14/155, 188, 205, 218, 225, D14/240; D21/333, 566
CPC G08C 17/02; G08C 19/02; G09G 5/08; H04R 1/1041; H04M 1/6058; H05K 5/03; H01H 9/02
See application file for complete search history.

(56) **References Cited**
U.S. PATENT DOCUMENTS
D316,550 S * 4/1991 Sogabe D14/168
D524,297 S * 7/2006 Lee D14/218
D530,680 S * 10/2006 Fox D13/168
D606,980 S * 12/2009 Bradford D14/218
D614,166 S * 4/2010 Brickstad D14/205
D624,058 S * 9/2010 Kolton D14/205
D633,447 S 3/2011 Schaal et al.
D648,315 S * 11/2011 Kao D14/205
D681,001 S * 4/2013 Murchison D14/205

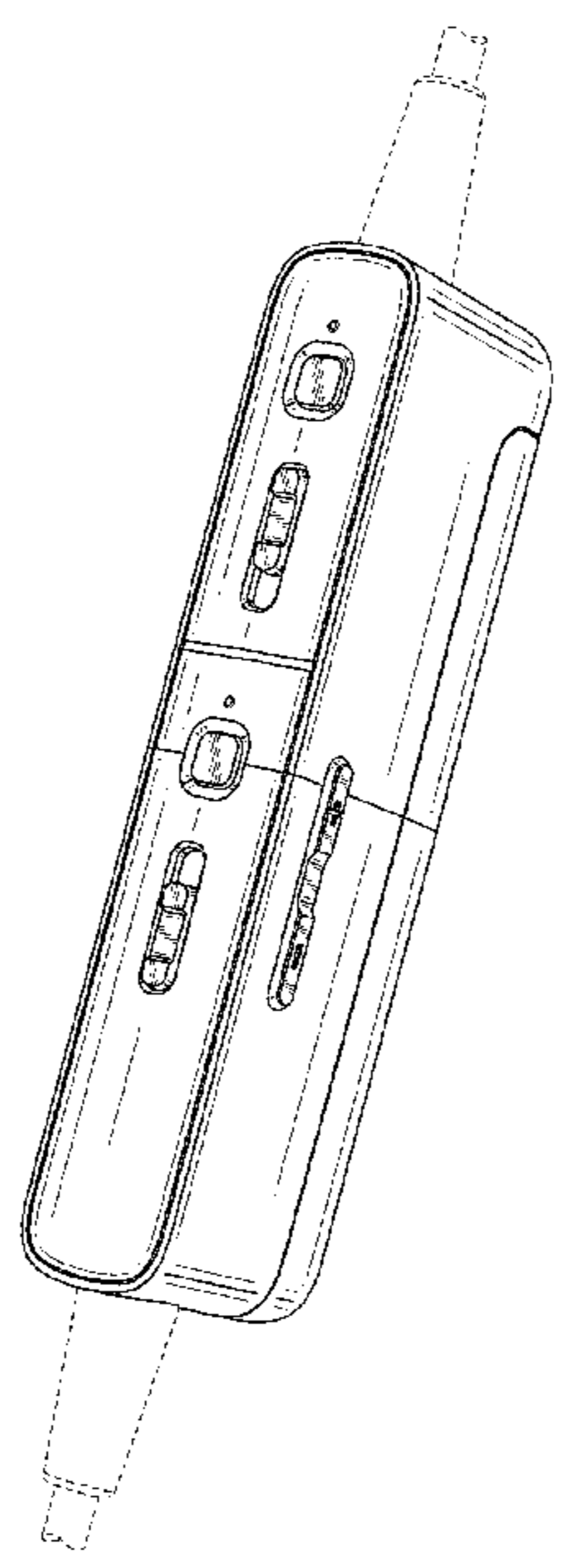
D685,760 S * 7/2013 Fletcher D14/205
D716,268 S * 10/2014 Yamamoto D14/218
D718,273 S * 11/2014 Harata D14/205
D730,873 S * 6/2015 Petterson D14/218
D739,377 S * 9/2015 Yeom D14/205
D747,293 S * 1/2016 Mistry D13/168
D778,877 S * 2/2017 Lin D14/218
9,854,344 B2 * 12/2017 Cheney H04R 1/1025
2012/0077549 A1 * 3/2012 Gibbons H04R 1/08
455/569.1
2014/0254848 A1 * 9/2014 Petterson H04R 1/1041
381/334
2016/0037248 A1 * 2/2016 Cheng H04R 1/105
381/74
2016/0316290 A1 * 10/2016 Shen H04R 1/1041
2017/0064430 A1 * 3/2017 Zheng H04R 1/1041
2017/0188130 A1 * 6/2017 Seo G10L 15/22
2017/0195770 A1 * 7/2017 Cheney H04R 1/1025

* cited by examiner
Primary Examiner — Selina Sikder

(57) **CLAIM**
The ornamental design for control module, substantially as shown and described.

DESCRIPTION
FIG. 1 is a perspective view of a set of a control module as seen from the front and right side;
FIG. 2 is a front view thereof;
FIG. 3 is a right side view thereof;
FIG. 4 is a back view thereof;
FIG. 5 is a left side view thereof;
FIG. 6 is a top view thereof; and,
FIG. 7 is a bottom view thereof.
The dotted line portions of the drawings represent environmental structure only and do not form part of the claimed design.

1 Claim, 6 Drawing Sheets



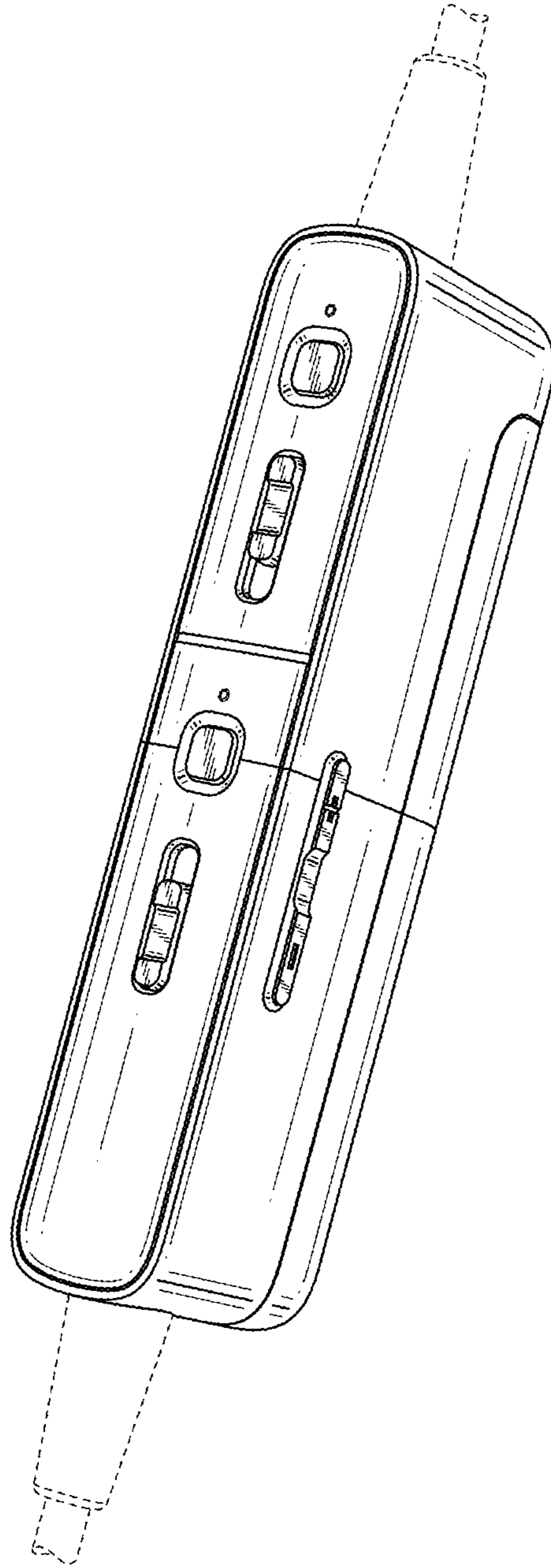


FIG. 1

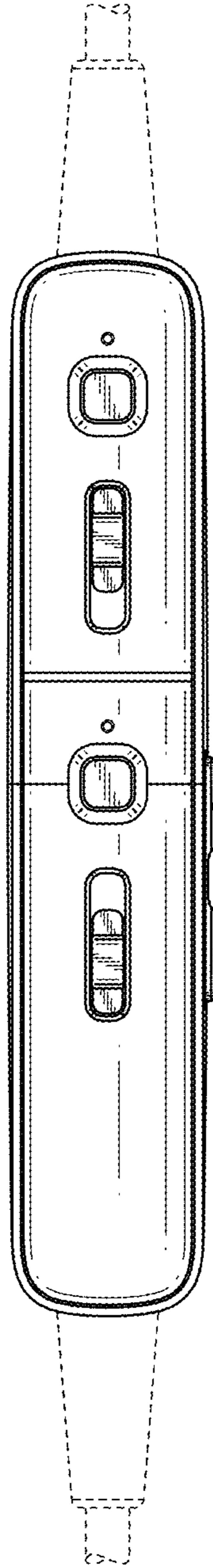


FIG. 2

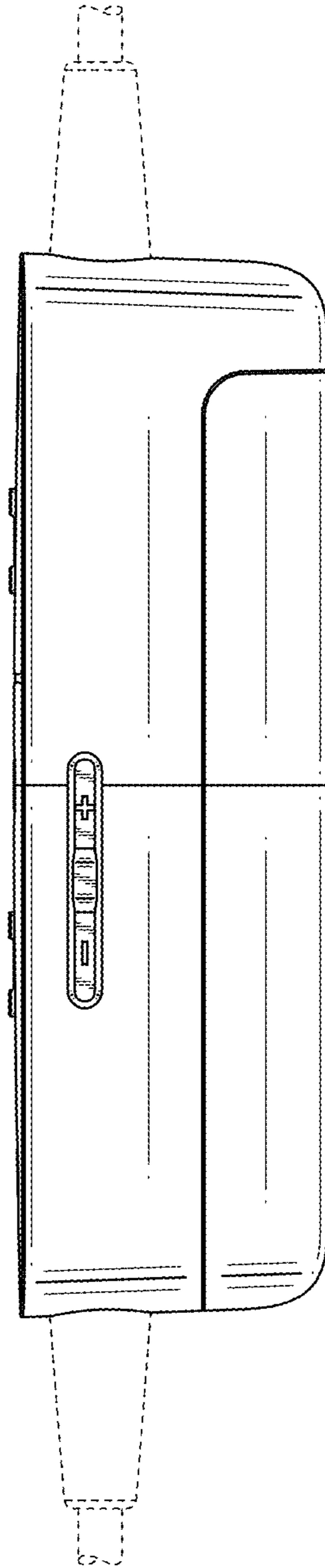


FIG. 3

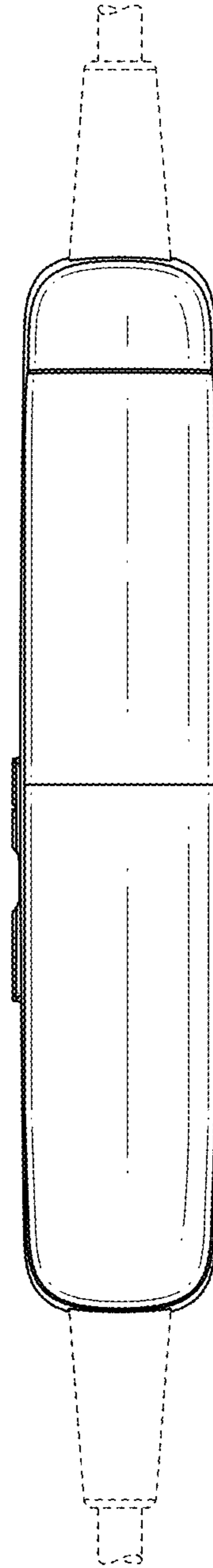


FIG. 4

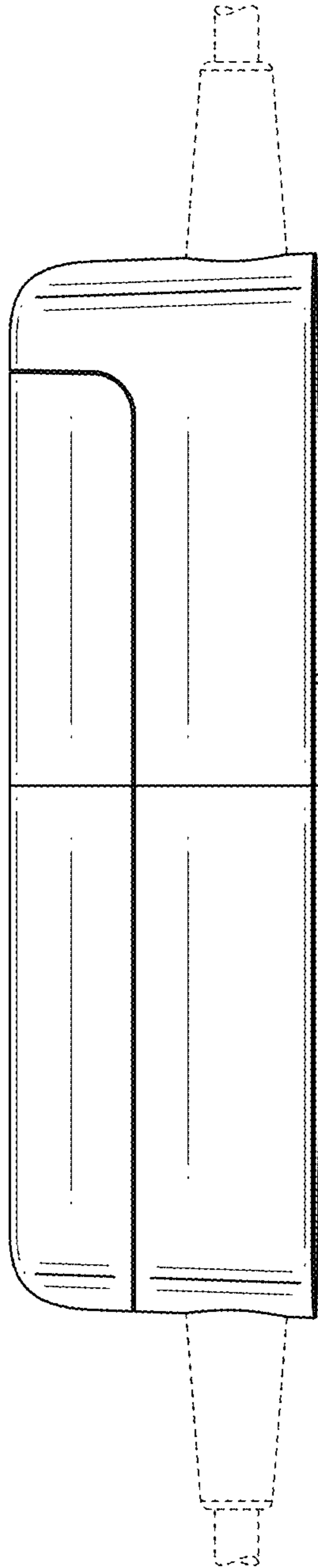


FIG. 5

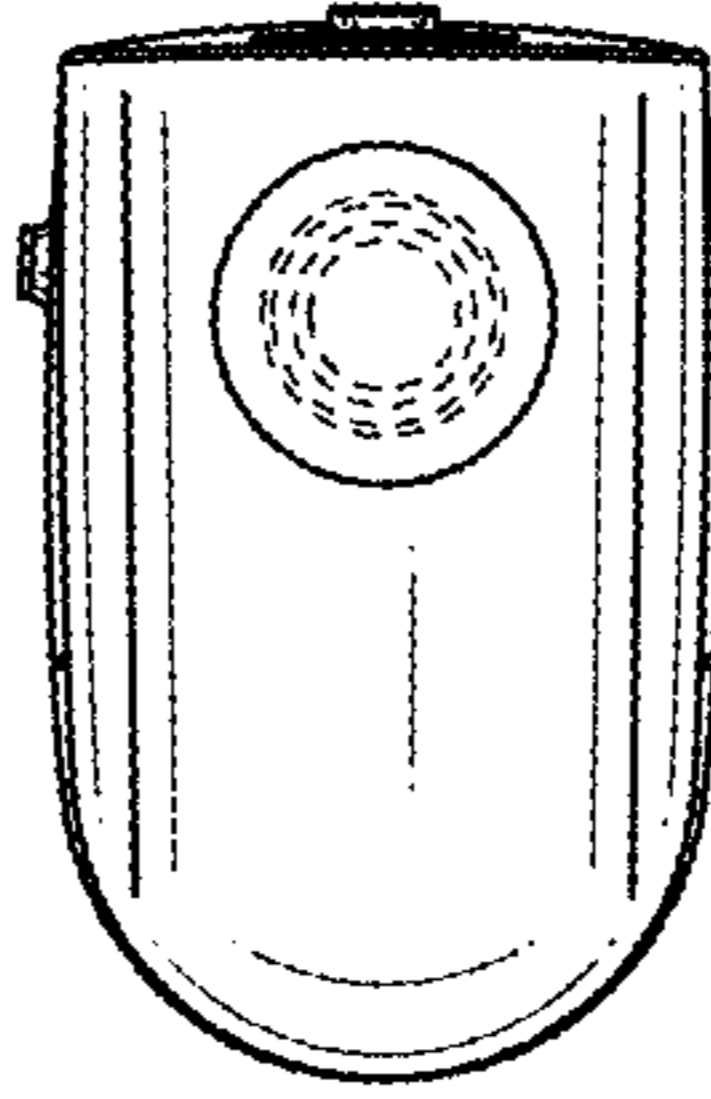


FIG. 6

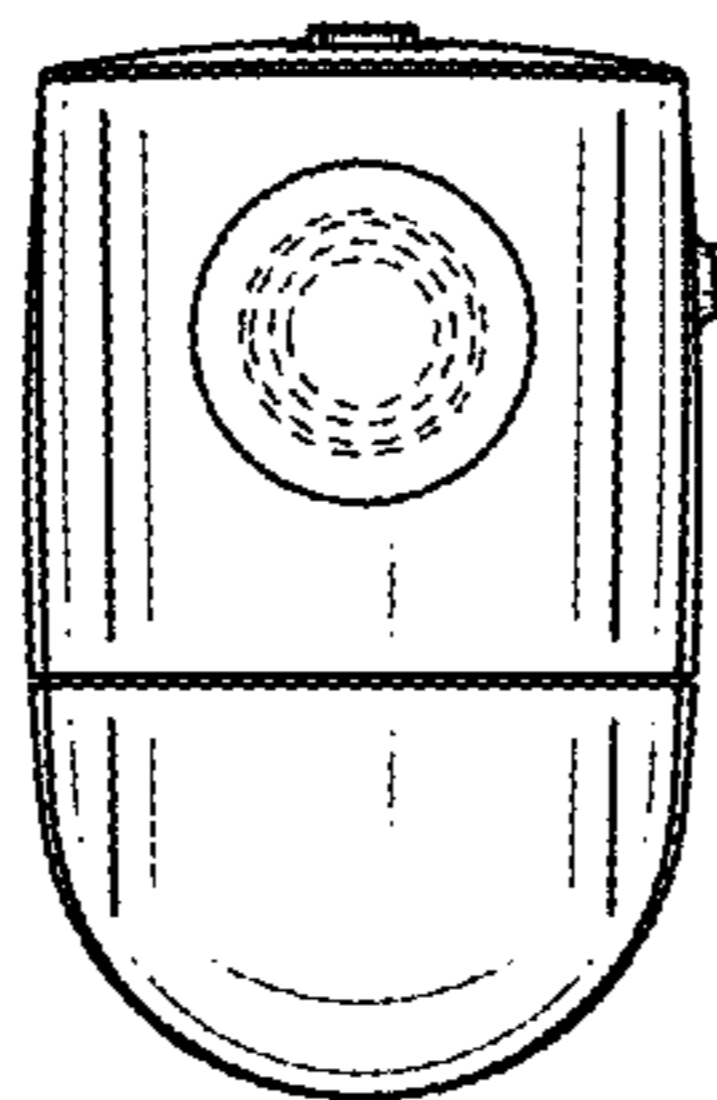


FIG. 7

UNITED STATES PATENT AND TRADEMARK OFFICE
CERTIFICATE OF CORRECTION

PATENT NO. : D824,883 S
APPLICATION NO. : 29/599515
DATED : August 7, 2018
INVENTOR(S) : Paul C. Williamson et al.

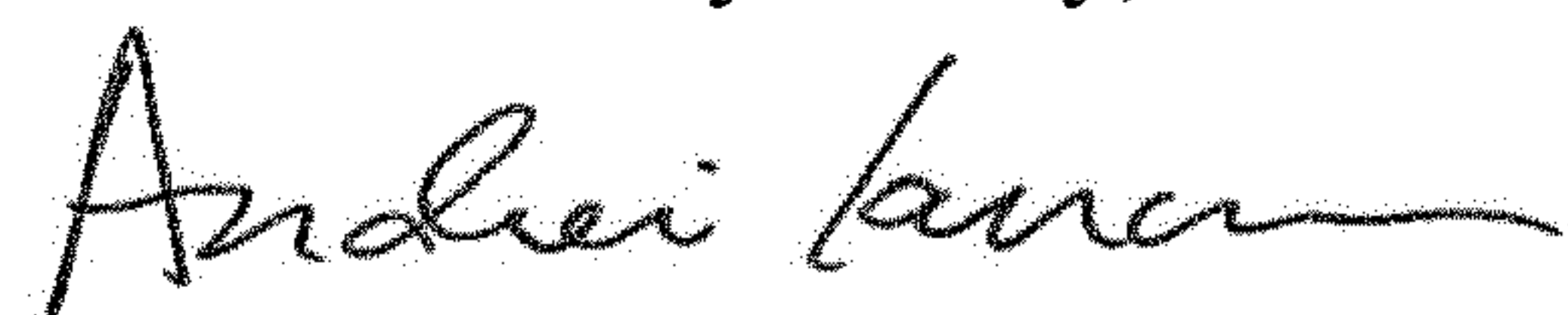
Page 1 of 1

It is certified that error appears in the above-identified patent and that said Letters Patent is hereby corrected as shown below:

On the Title Page

Paragraph 1 of the Description, replace “FIG. 1 is a perspective view of a set of a control module as seen from the front and right side;” with “FIG. 1 is a perspective view of a control module as seen from the front and right side;”

Signed and Sealed this
Second Day of July, 2019



Andrei Iancu
Director of the United States Patent and Trademark Office