



US00D824882S

(12) **United States Design Patent** (10) **Patent No.:** **US D824,882 S**
Zheng et al. (45) **Date of Patent:** **** Aug. 7, 2018**

(54) **GIMBAL WITH HANDLE**
(71) Applicant: **SZ DJI Osmo Technology Co., Ltd.**,
Shenzhen (CN)
(72) Inventors: **Haibin Zheng**, Shenzhen (CN); **Min Kim**, Shenzhen (CN)

4,864,335 A 9/1989 Corrales
5,021,813 A 6/1991 Corrales
D320,995 S 10/1991 Fukuda et al.
D420,004 S 2/2000 Haney
6,366,672 B1 4/2002 Tsay
(Continued)

(73) Assignee: **SZ DJI Osmo Technology Co., Ltd.**,
Shenzhen (CN)

CN 303127592 S 3/2015
CN 303320443 S 8/2015
(Continued)

(**) Term: **15 Years**

(21) Appl. No.: **29/618,610**

(22) Filed: **Sep. 22, 2017**

FOREIGN PATENT DOCUMENTS

OTHER PUBLICATIONS

<http://news.mynavi.jp/news/2015/01/19/177/>; dated Jan. 19, 2015.
(Continued)

Related U.S. Application Data

(63) Continuation of application No. 29/601,445, filed on Apr. 21, 2017, now Pat. No. Des. 799,447, which is a continuation of application No. 29/566,534, filed on May 31, 2016, now Pat. No. Des. 794,606.

Primary Examiner — Mitchell I. Siegel
Assistant Examiner — Khawaja Anwar
(74) *Attorney, Agent, or Firm* — Sterne, Kessler, Goldstein & Fox P.L.L.C.

(51) **LOC (11) Cl.** **14-03**

(52) **U.S. Cl.**
USPC **D14/217**

(57) **CLAIM**

The ornamental design for a gimbal with handle, as shown and described.

(58) **Field of Classification Search**
USPC D14/217, 253, 251, 252, 447, 451, 452, D14/440, 434, 458, 432, 439, 453, 460, D14/238.1, 140, 142, 149, 148; D13/107, D13/108, 218; D16/200–208
CPC G03B 15/00; G03B 15/03; G03B 17/02; G03B 17/04; G03B 17/56; G03B 19/04; H04N 5/2251; H04N 5/2252; H04N 5/2253; H04N 5/2254; H04N 2101/00; F16M 11/04; F16M 13/00
See application file for complete search history.

DESCRIPTION

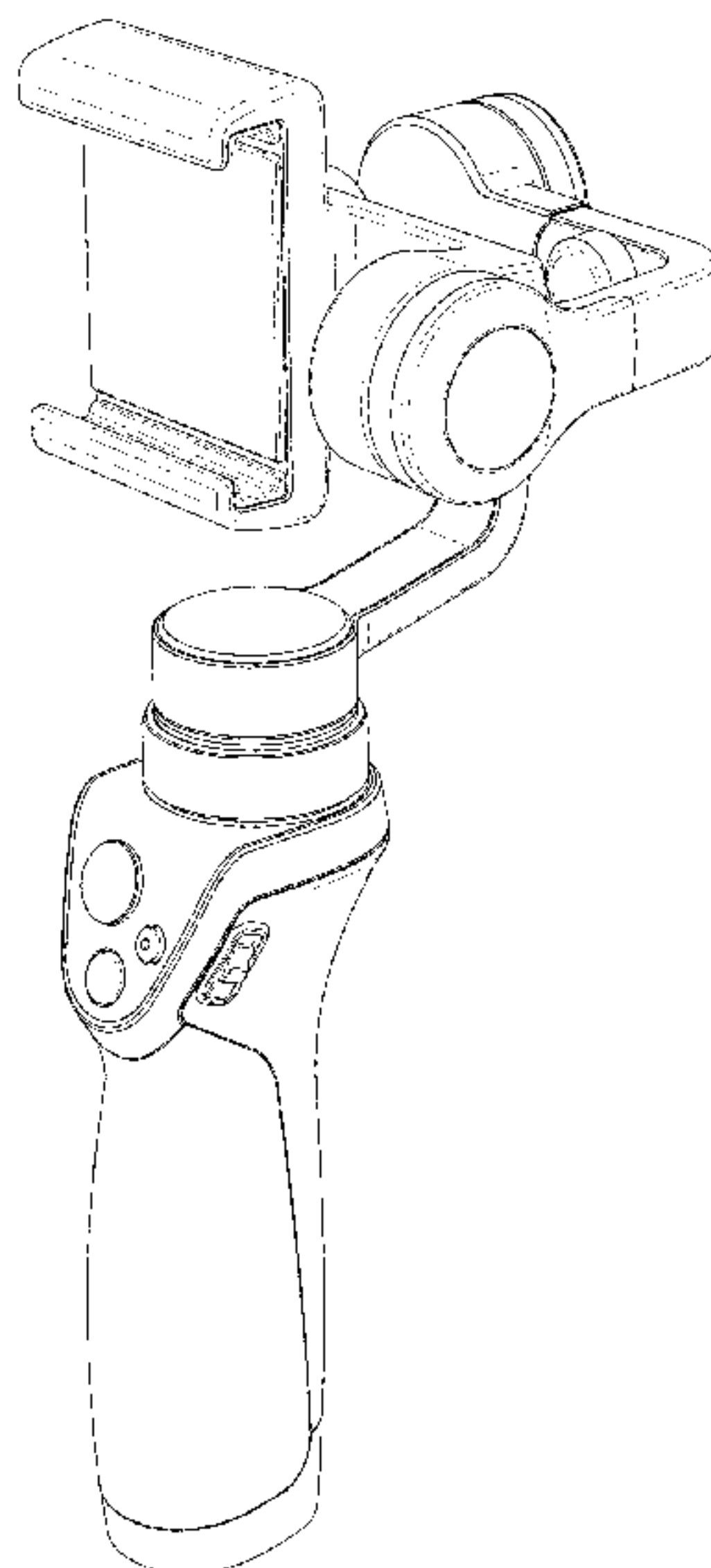
FIG. 1 is a top front perspective view of a gimbal with handle showing the claimed design;
FIG. 2 is a top rear perspective view thereof;
FIG. 3 is a front view thereof;
FIG. 4 is a rear view thereof;
FIG. 5 is a right side view thereof;
FIG. 6 is a left side view thereof;
FIG. 7 is a top view thereof; and,
FIG. 8 is a bottom view thereof.
The broken lines in the figures show portions of the gimbal with handle that form no part of the claimed design.

(56) **References Cited**

U.S. PATENT DOCUMENTS

3,810,647 A 5/1974 Martchenke
D276,621 S 12/1984 Hanke

1 Claim, 7 Drawing Sheets



(56)

References Cited

U.S. PATENT DOCUMENTS

6,923,686 B1 8/2005 Cheng
 7,158,092 B2 1/2007 Shen
 D580,474 S 11/2008 Lee et al.
 D590,867 S 4/2009 Schenone et al.
 D618,222 S 6/2010 Kallas et al.
 D619,586 S 7/2010 Richter
 D626,541 S 11/2010 Kim et al.
 8,087,625 B2 1/2012 Chang
 D670,284 S 11/2012 Choi
 D678,387 S 3/2013 Stump et al.
 D688,674 S 8/2013 Lau et al.
 D690,707 S 10/2013 Minn et al.
 D709,074 S 7/2014 Tsui et al.
 8,780,263 B2 7/2014 Orf
 D710,424 S 8/2014 Hallgren
 D713,398 S 9/2014 Alesi et al.
 D715,790 S 10/2014 Conomos et al.
 D715,791 S 10/2014 Yu
 D716,888 S 11/2014 Dolezel et al.
 D720,344 S 12/2014 Yu
 8,915,660 B1 12/2014 Ben Yehuda et al.
 D727,333 S 4/2015 Shih et al.
 D730,429 S 5/2015 Anari et al.
 D732,519 S 6/2015 Aspinall et al.
 D733,115 S 6/2015 Aspinall et al.
 9,203,946 B2 12/2015 Zajeski et al.
 D747,399 S 1/2016 Stump et al.
 D753,126 S 4/2016 Alesi et al.
 D753,205 S 4/2016 Stark
 D754,778 S 4/2016 Terashita
 D759,335 S 6/2016 Kim et al.
 D765,646 S 9/2016 Deng et al.
 D765,651 S 9/2016 Liu et al.
 D766,230 S 9/2016 Shepard
 D767,556 S 9/2016 Lee
 D768,125 S 10/2016 Kim
 D769,235 S 10/2016 Li
 D769,860 S 10/2016 Xiao
 D773,449 S 12/2016 Mellano et al.
 D777,720 S 1/2017 Russell
 D779,579 S 2/2017 Anari et al.
 D779,580 S 2/2017 Jia
 D780,245 S 2/2017 Ruback et al.
 D780,743 S 3/2017 Chun
 D780,825 S 3/2017 Kim
 D783,012 S 4/2017 Lee
 D783,013 S 4/2017 Chun
 D783,014 S 4/2017 Chun
 D783,592 S 4/2017 Ju
 D784,997 S 4/2017 Cheng et al.
 D785,073 S 4/2017 Wang et al.
 D787,499 S 5/2017 Lee et al.
 D791,760 S 7/2017 Kim
 D794,606 S * 8/2017 Zheng D14/217
 D796,482 S * 9/2017 Zheng D14/217
 D799,447 S * 10/2017 Zheng D14/217
 D799,448 S * 10/2017 Zheng D14/217
 2005/0257352 A1 11/2005 Carnevali
 2006/0285844 A1 12/2006 Hershenzon
 2008/0242154 A1 10/2008 Dixon et al.
 2009/0308993 A1 12/2009 Chang
 2010/0237206 A1 9/2010 Barker
 2014/0071339 A1 3/2014 Baker
 2014/0097306 A1 4/2014 Hale et al.
 2014/0176062 A1 6/2014 Jung
 2015/0071627 A1 3/2015 Hoang
 2015/0077630 A1 3/2015 Miller
 2015/0090849 A1 4/2015 Breitweiser et al.
 2015/0191124 A1 7/2015 Du
 2015/0261070 A1 9/2015 Feng et al.
 2015/0261075 A1 9/2015 Overall
 2015/0323856 A1 * 11/2015 Nordhaug F16M 13/04
 348/208.7
 2015/0346590 A1 12/2015 Lewis

2016/0088748 A1 * 3/2016 Lin F16M 11/14
 248/371
 2016/0288730 A1 * 10/2016 Lee B60R 11/02
 2016/0309080 A1 * 10/2016 Chu H04N 5/23219
 2016/0381271 A1 * 12/2016 Cheng F16M 11/041
 348/208.2
 2017/0037995 A1 * 2/2017 Pan F16M 11/18
 2017/0146892 A1 * 5/2017 Wei F16M 11/045
 2017/0227162 A1 * 8/2017 Saika F16M 13/02

FOREIGN PATENT DOCUMENTS

CN 303320450 S 8/2015
 CN 303348679 S 8/2015
 CN 303440091 S 11/2015
 CN 303509498 S 12/2015
 CN 303572923 S 1/2016
 CN 303612732 S 3/2016
 CN 303648342 S 4/2016
 CN 303805800 8/2016
 CN 303806285 S 8/2016
 CN 303933788 S 11/2016
 HU 92390-0001 1/2016
 JP D1141667 5/2002
 JP D1208203 6/2004
 JP D1420793 8/2011
 JP D1453628 10/2012
 KR 30-0790778 4/2015
 KR 30-0792883 4/2015
 KR 30-0818012 10/2015
 KR 30-0831427 12/2015
 KR 30-0873632 9/2016
 KR 30-0879205 11/2016
 KR 30-0884489 12/2016

OTHER PUBLICATIONS

<http://news.mynavi.jp/photo/news/2015/01/19/177/images/0011.jpg>; dated Jan. 19, 2015.
<http://news.mynavi.jp/photo/news/2015/01/19/177/images/0041.jpg>; dated Jan. 19, 2015.
<http://news.mynavi.jp/photo/news/2015/01/19/177/images/0051.jpg>; dated Jan. 19, 2015.
<http://news.mynavi.jp/photo/news/2015/01/19/177/images/0121.jpg>; dated Jan. 19, 2015.
<http://k-tai.watch.impress.co.jp/docs/column/stapa/687357.html>; dated Feb. 9, 2015.
 “Swiftcam M3 Auto-stabilizing Hand Held Holder Gimbal for Smartphone Mobile Phone,” ebay, <URL: <http://www.ebay.com/itm/Swiftcam-M3-Auto-stabilizing-Hand-Held-Holder-Gimbal-For-Smartphone-Mobile-Phone-/181421925183>>; date accessed: Apr. 25, 2017.
 “WenPod SP2 Digital Stabilizer Gimbal Smart Phone Holder,” zapals, <URL: <https://www.zapals.com/wenpod-sp2-digital-stabilizer-gimbal-smart-phone-holder.html>>; date accessed: Apr. 25, 2017.
 “Smartphone Mount Holder for Feiyu Tech G3 Ultra 2/3-Axis Steadycam Handheld Gimbal Stabilizer Phone Holder,” Bigup Gadgets, <URL: <http://bigupgadgets.com/smartphone-mount-holder-for-feiyu-tech-g3-ultra-2-3-axis-steadycam-handheld-gimbal-stabilizer-phone-holder.html>>, dated accessed: Apr. 25, 2017.
 DJI Osmo Handheld 4K Camera. [online] Published date Sep. 20, 2016. Retrieved on Jun. 19, 2017 from <URL: https://www.amazon.ca/DJI-Handheld-Camera-3-Axis-Starters/dp/801LYK5634/ref=sr_1_fkmr0_1?s=electronics&ie=UTF8&qid=1497890103&sr=1-1-fkmr9&keywords=DJI+CP.ZM.000425+Handheld>.
 Top 10 Best video stabilizers for iPhone in 2017. [online] Published date May 10, 2017. Retrieved on Jun. 19, 2017 from <URL: <https://filmora.wondershare.com/video-editing-tips/best-video-stabilizers-for-iphone.html>>.
 U.S. Appl. No. 29/540,667, filed Sep. 25, 2015.
 U.S. Appl. No. 29/548,624, filed Dec. 15, 2015.
 U.S. Appl. No. 29/575,754, filed Sep. 25, 2015.

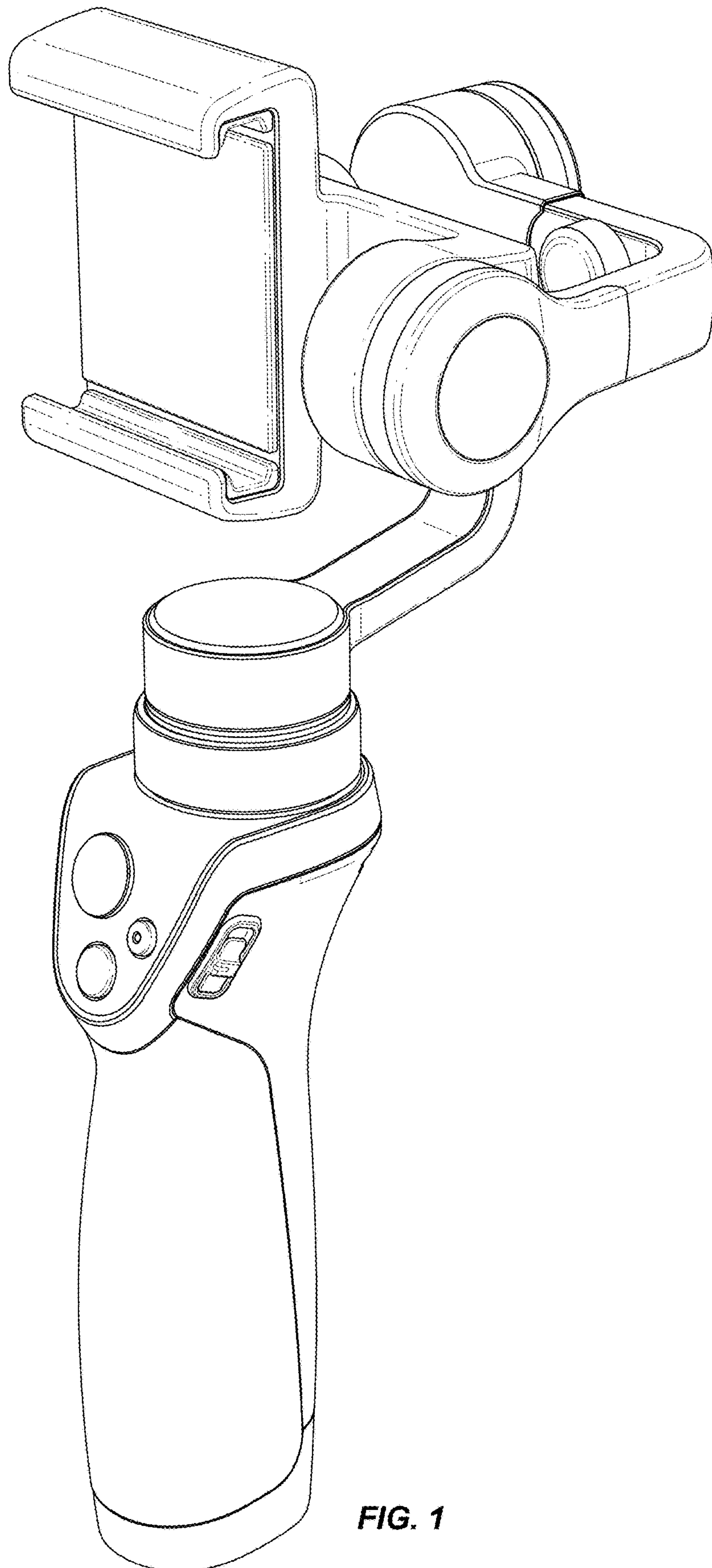
(56)

References Cited

OTHER PUBLICATIONS

U.S. Appl. No. 29/575,749, filed Dec. 15, 2015.

* cited by examiner



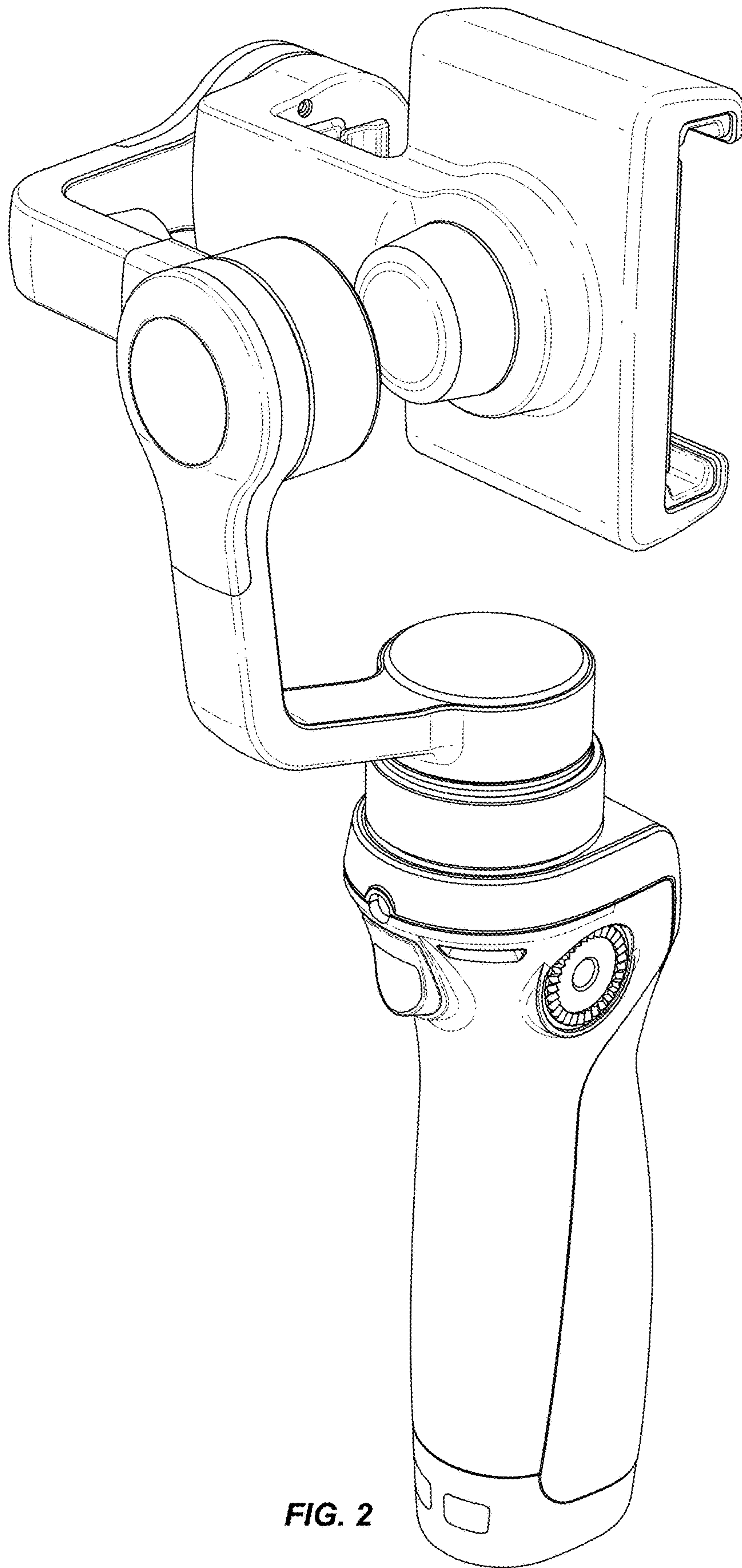


FIG. 2

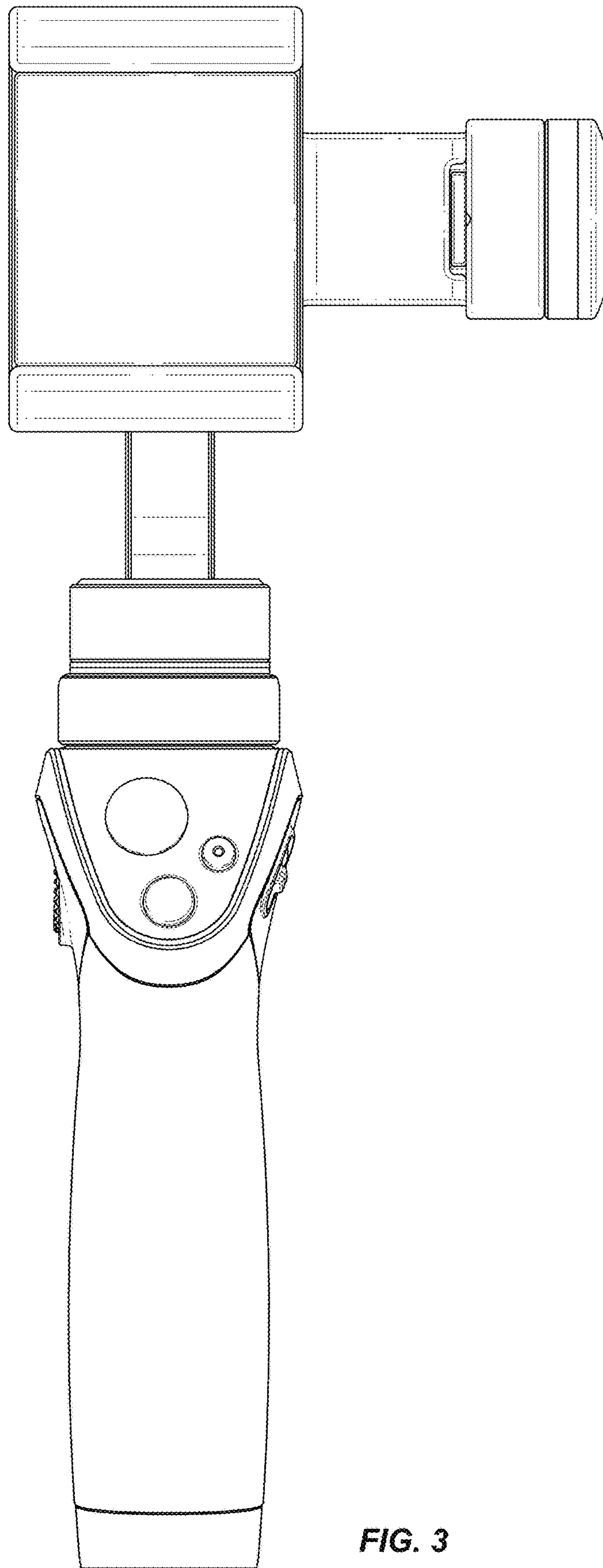


FIG. 3

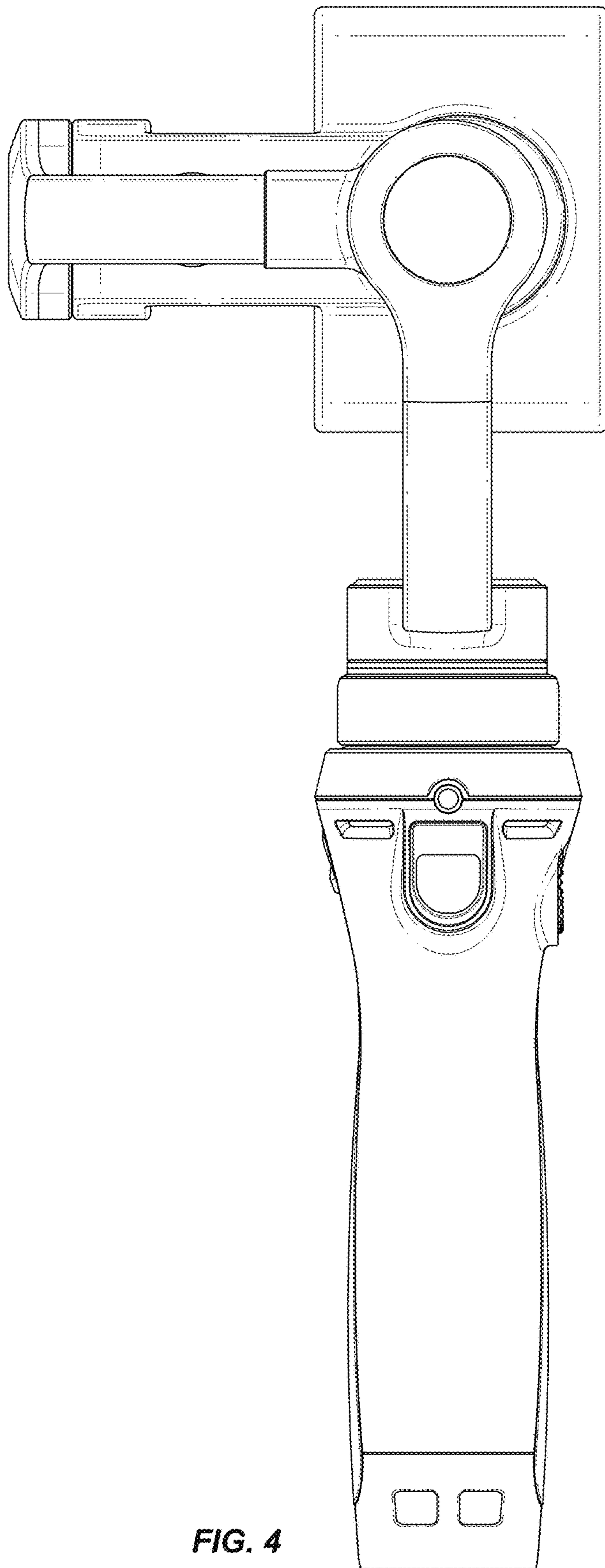


FIG. 4

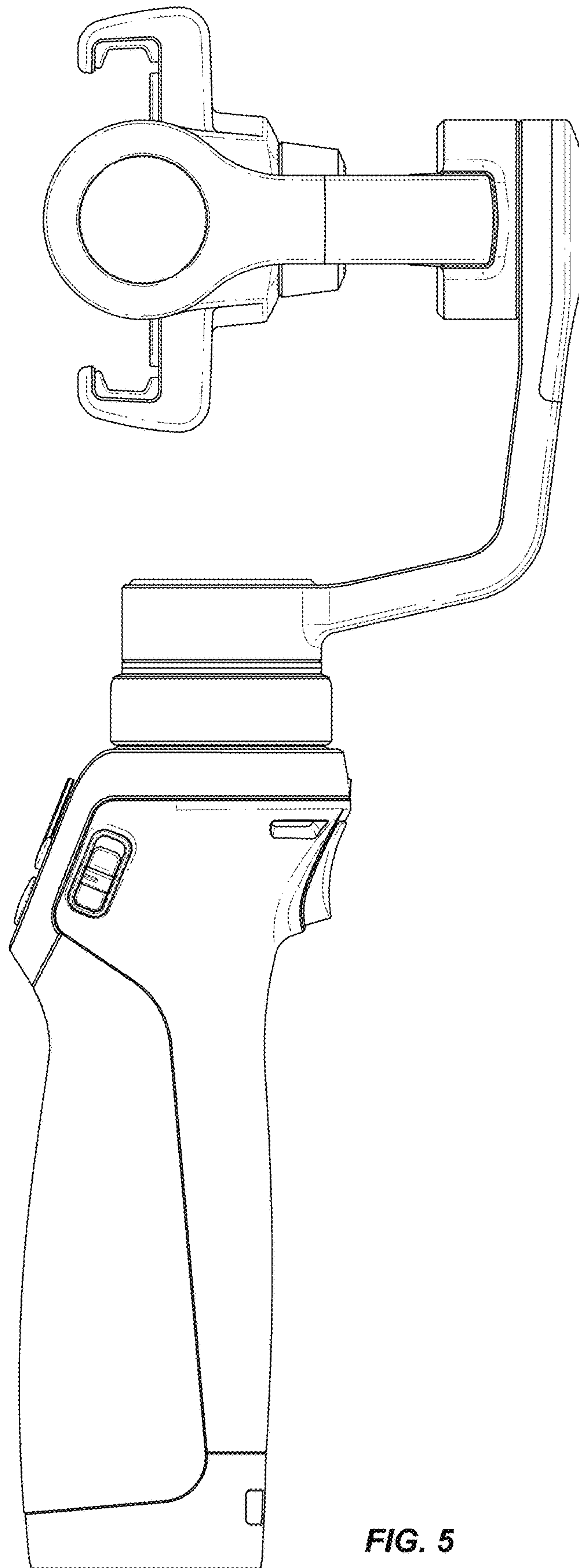


FIG. 5

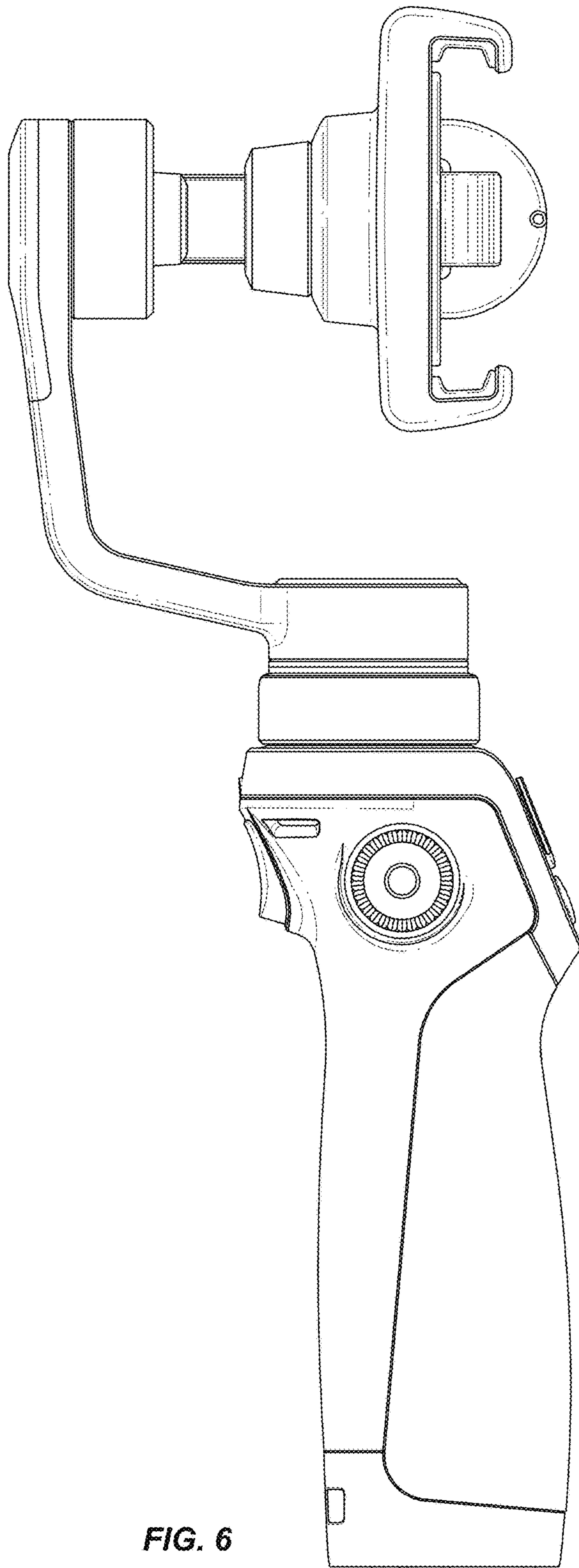


FIG. 6

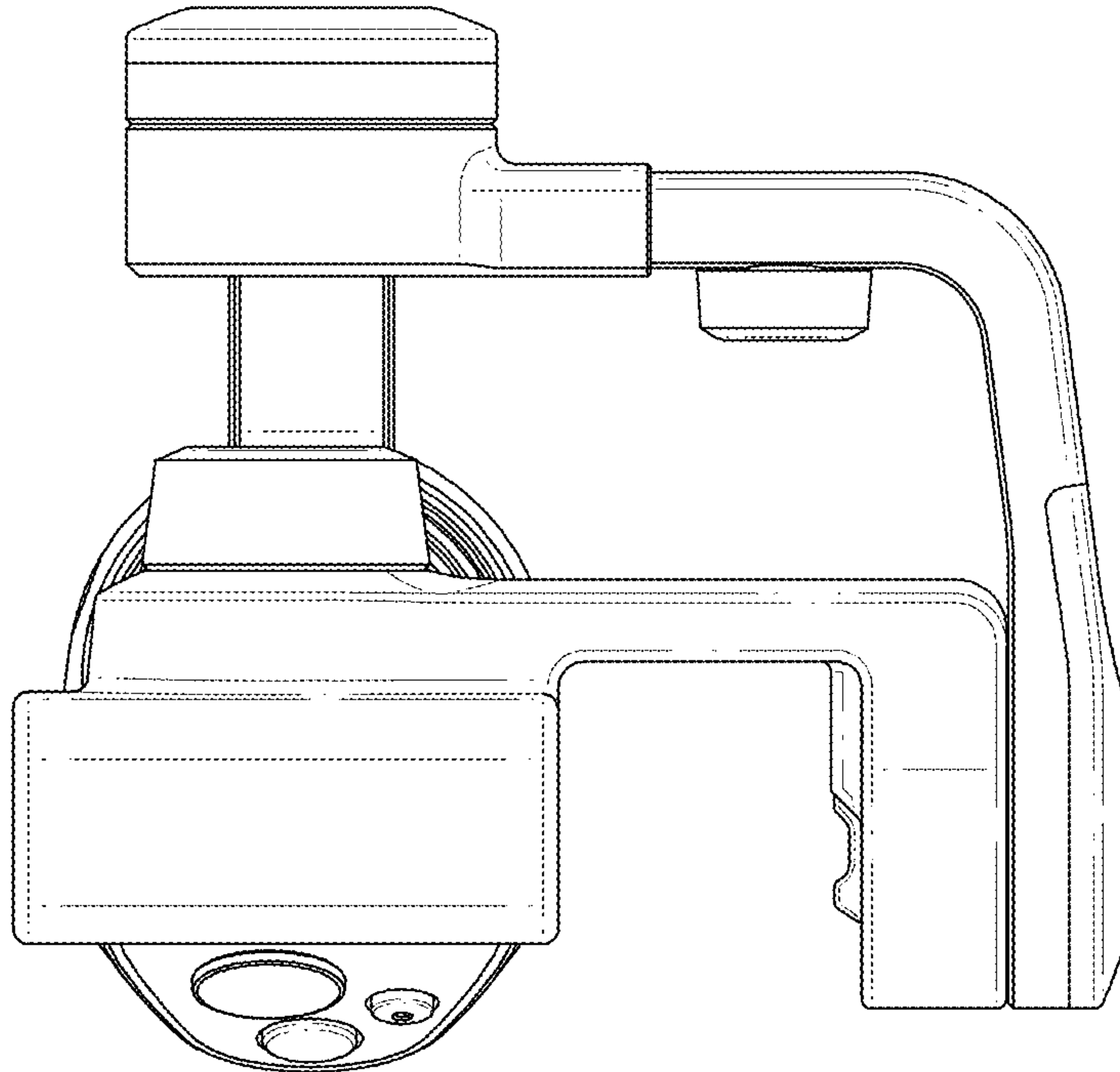


FIG. 7

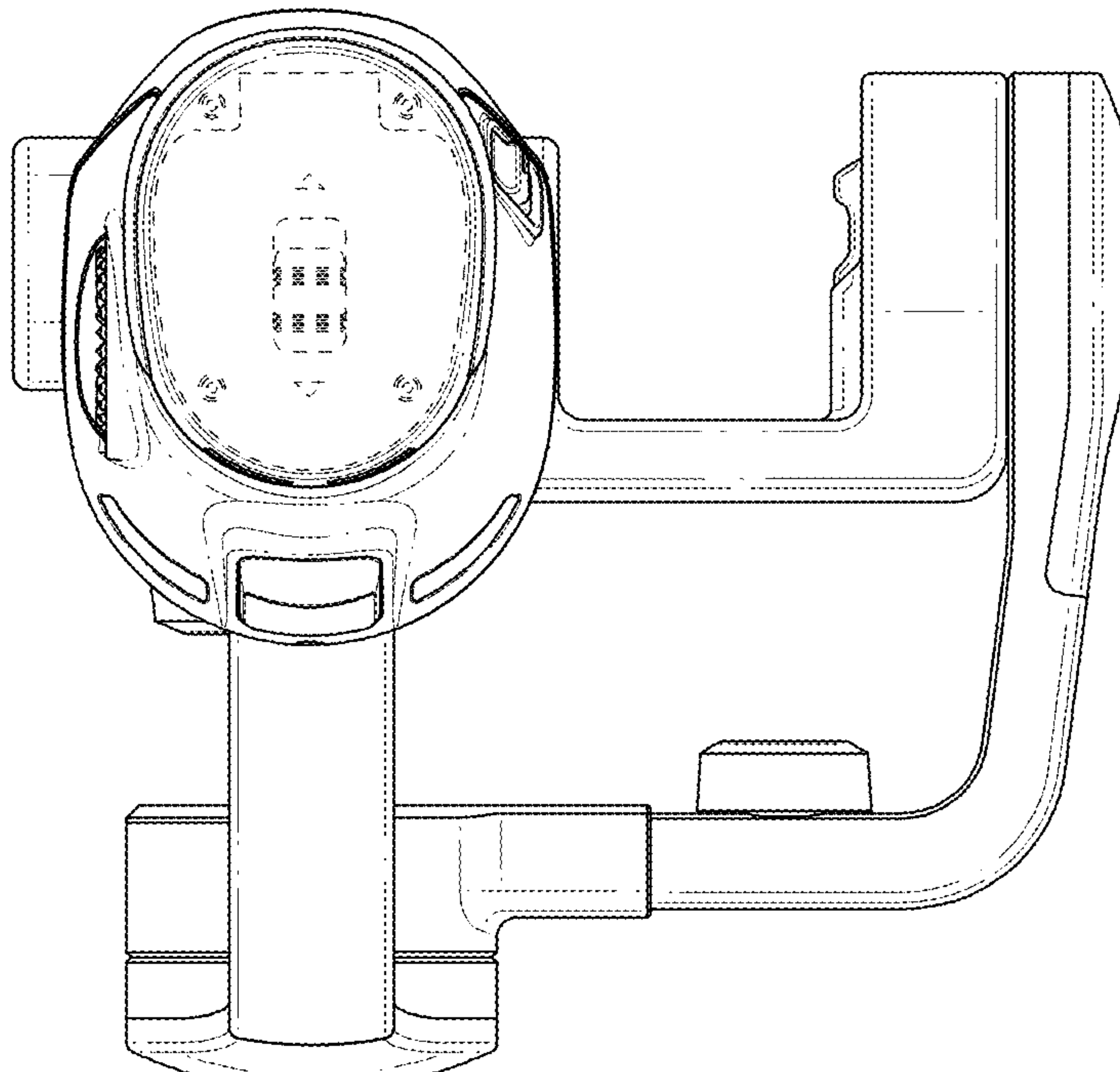


FIG. 8